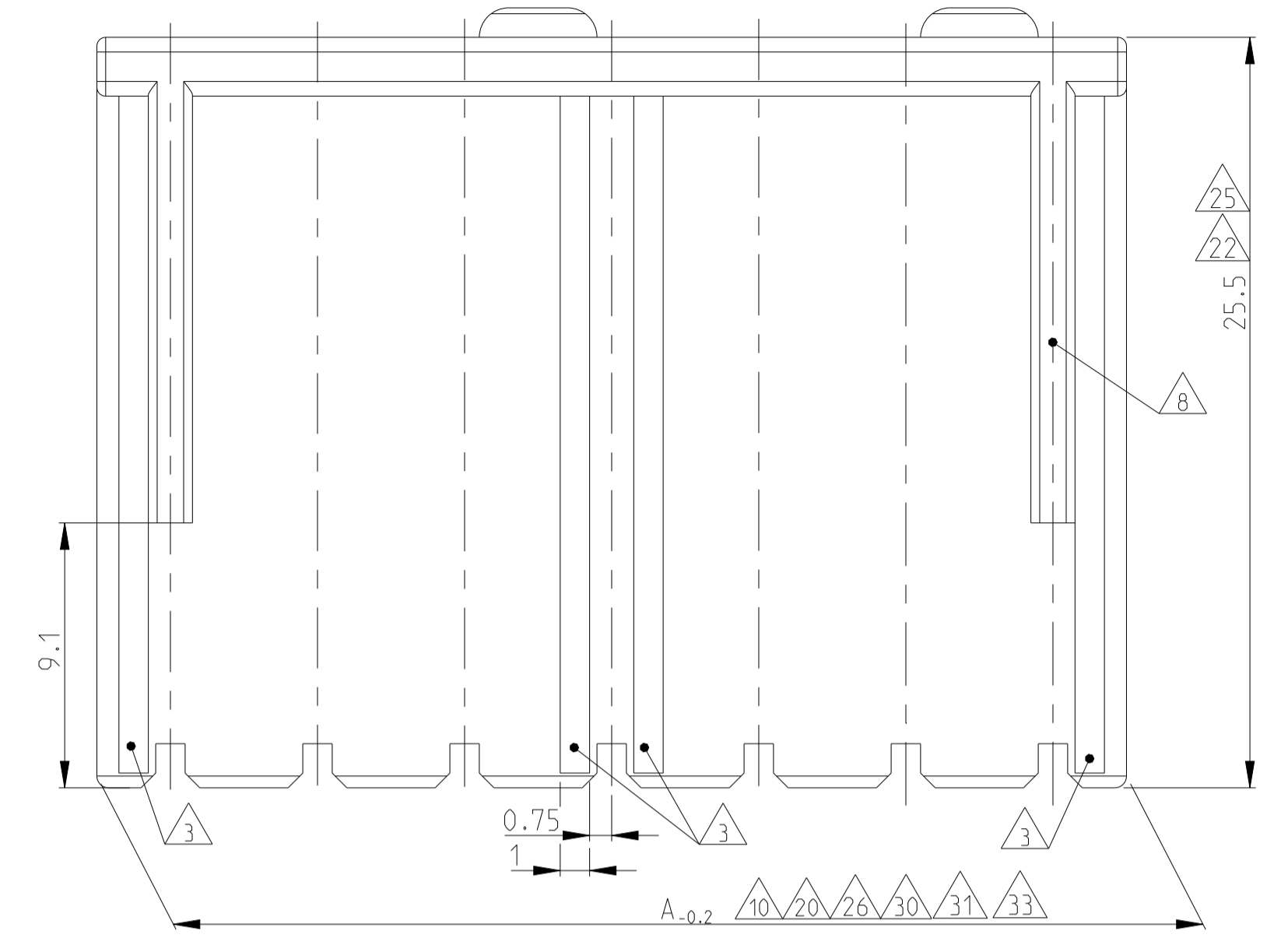
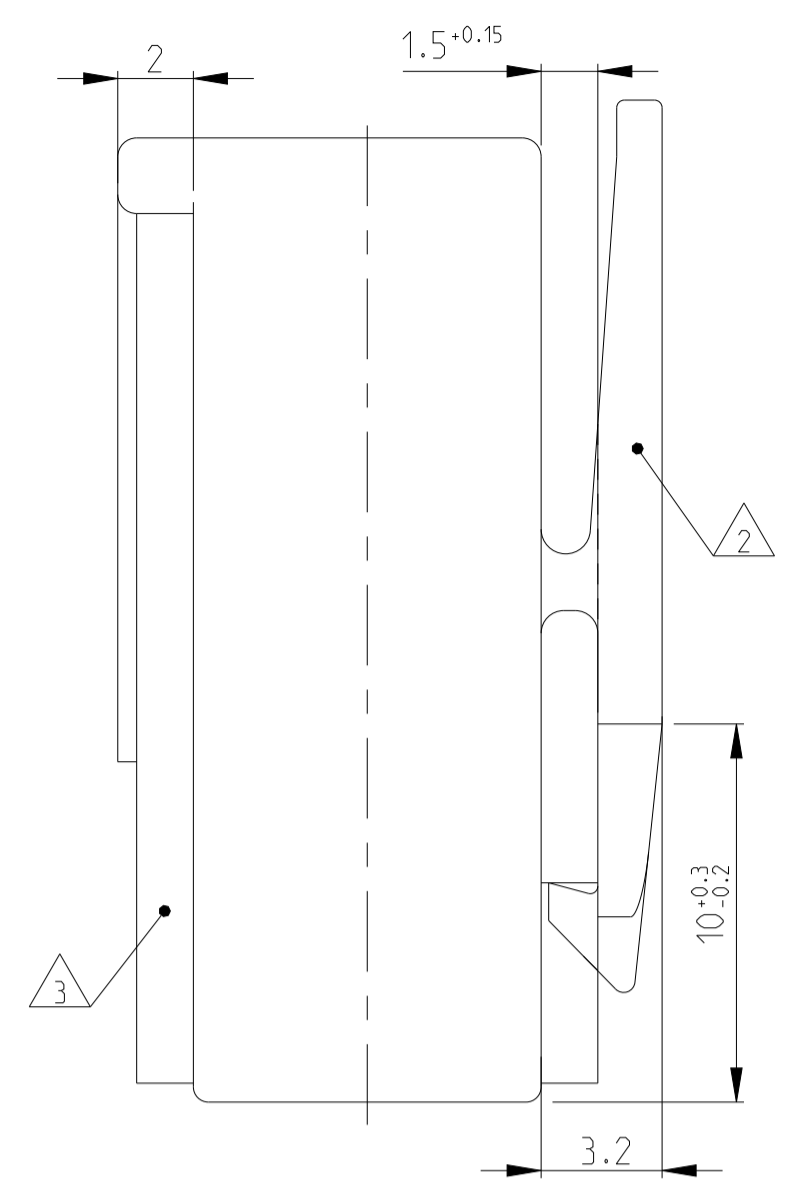
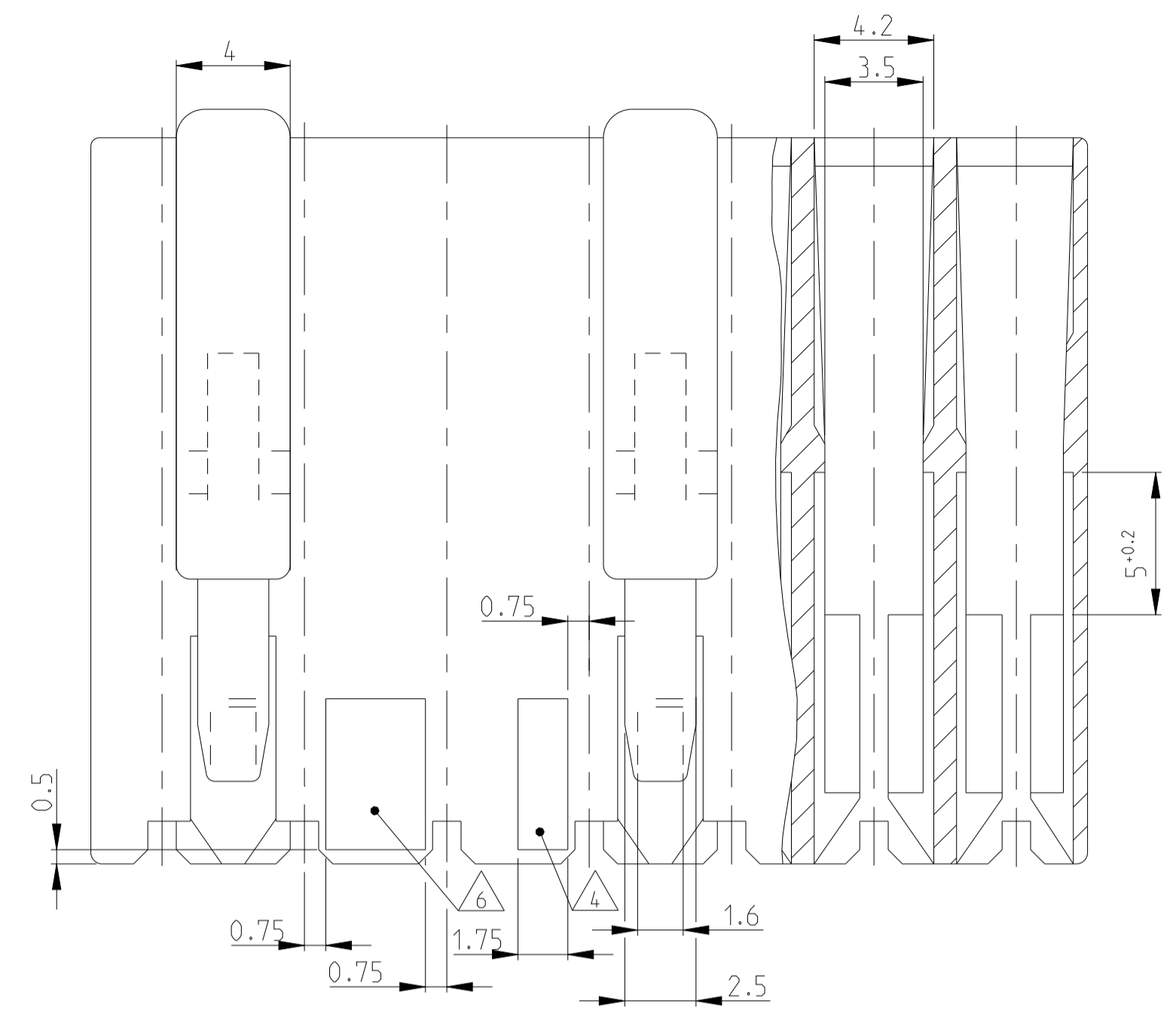
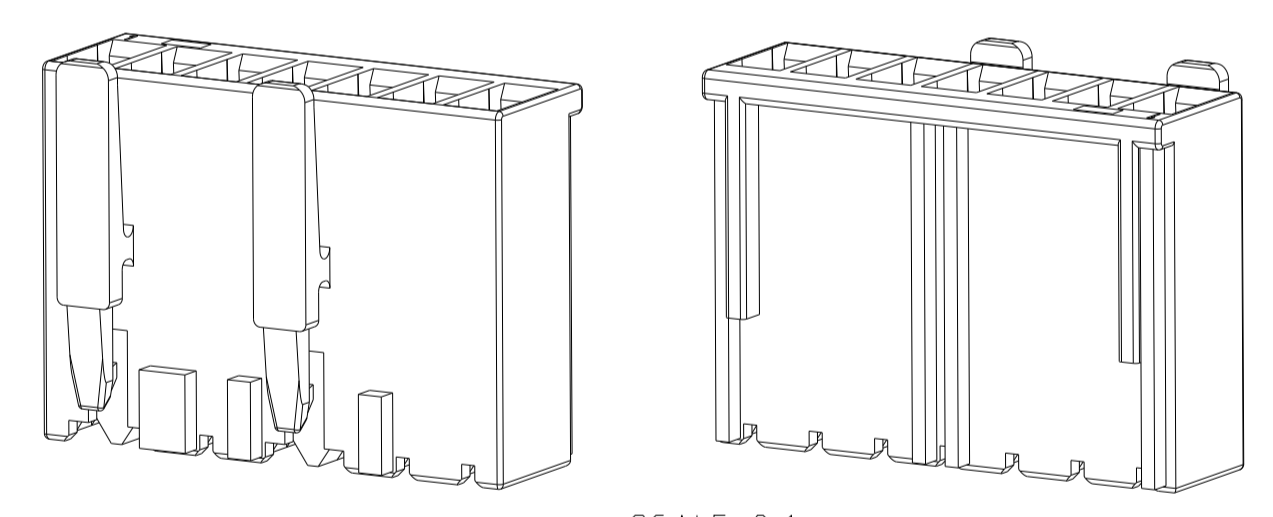
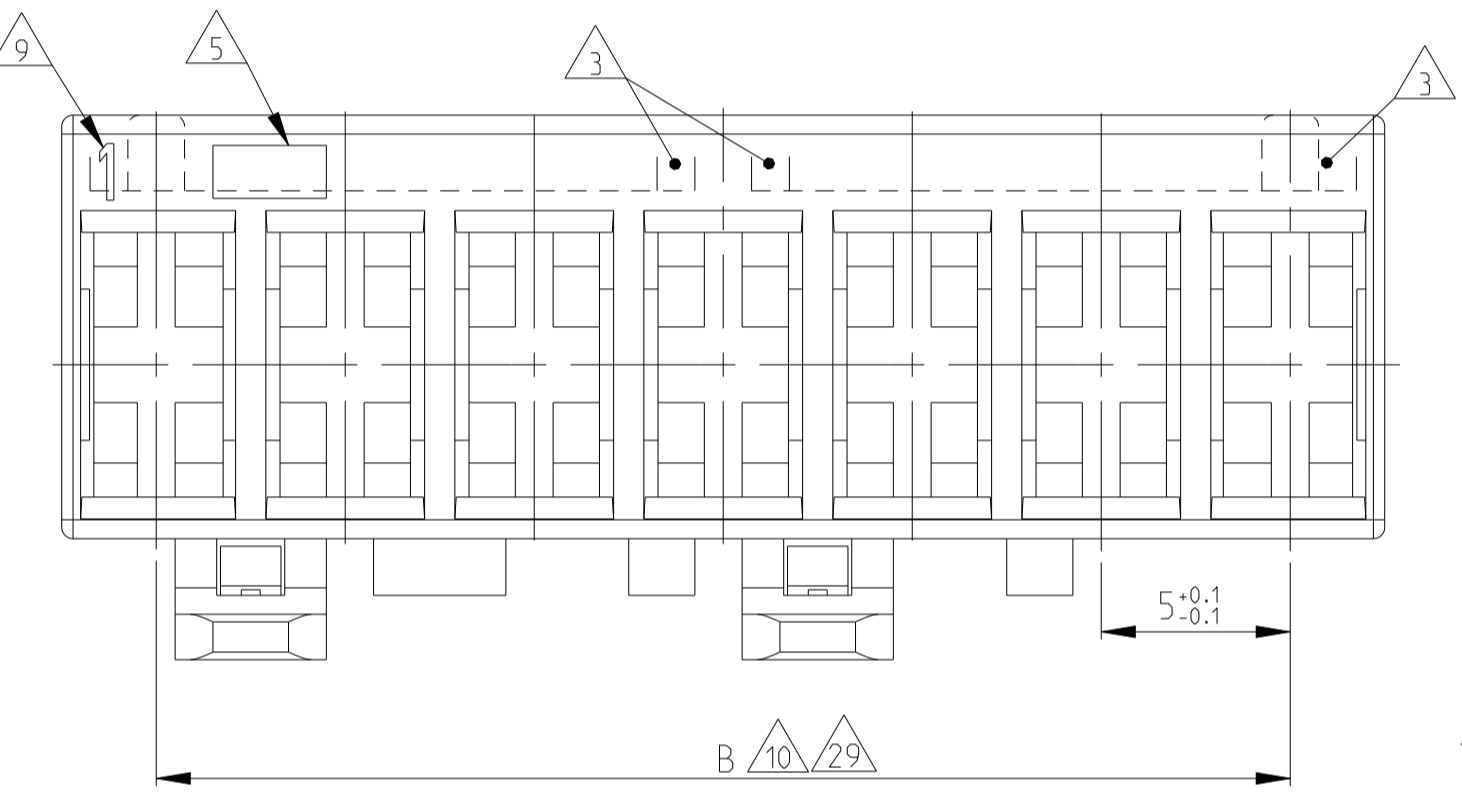
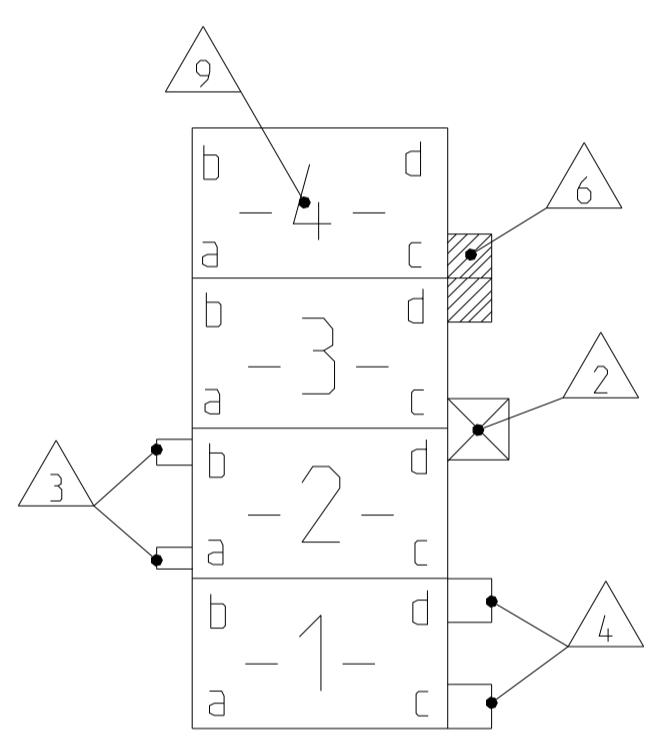
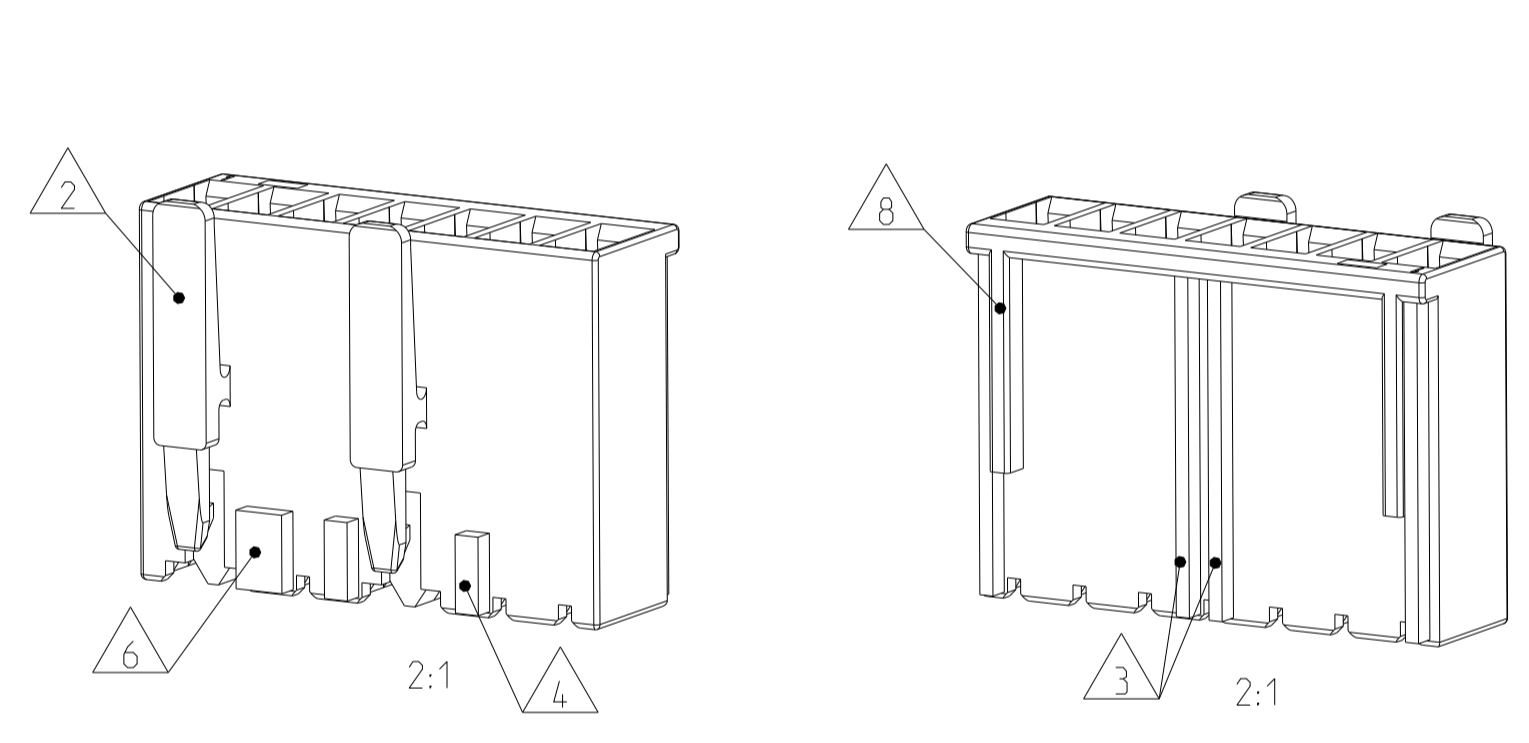


| REVISONS | | DATE | DMN | APVD |
|----------|---------------|-----------|-----|------|
| NO. | DESCRIPTION | | | |
| B51 | ECR-21-100139 | 12JAN2021 | KD | FL |
| B52 | ECR-21-101078 | 25MAR2021 | PJ | FL |
| B53 | ECR-21-101710 | 15APR2021 | PJ | FL |
| B54 | ECR-21-103933 | 14JUN2021 | PJ | FL |



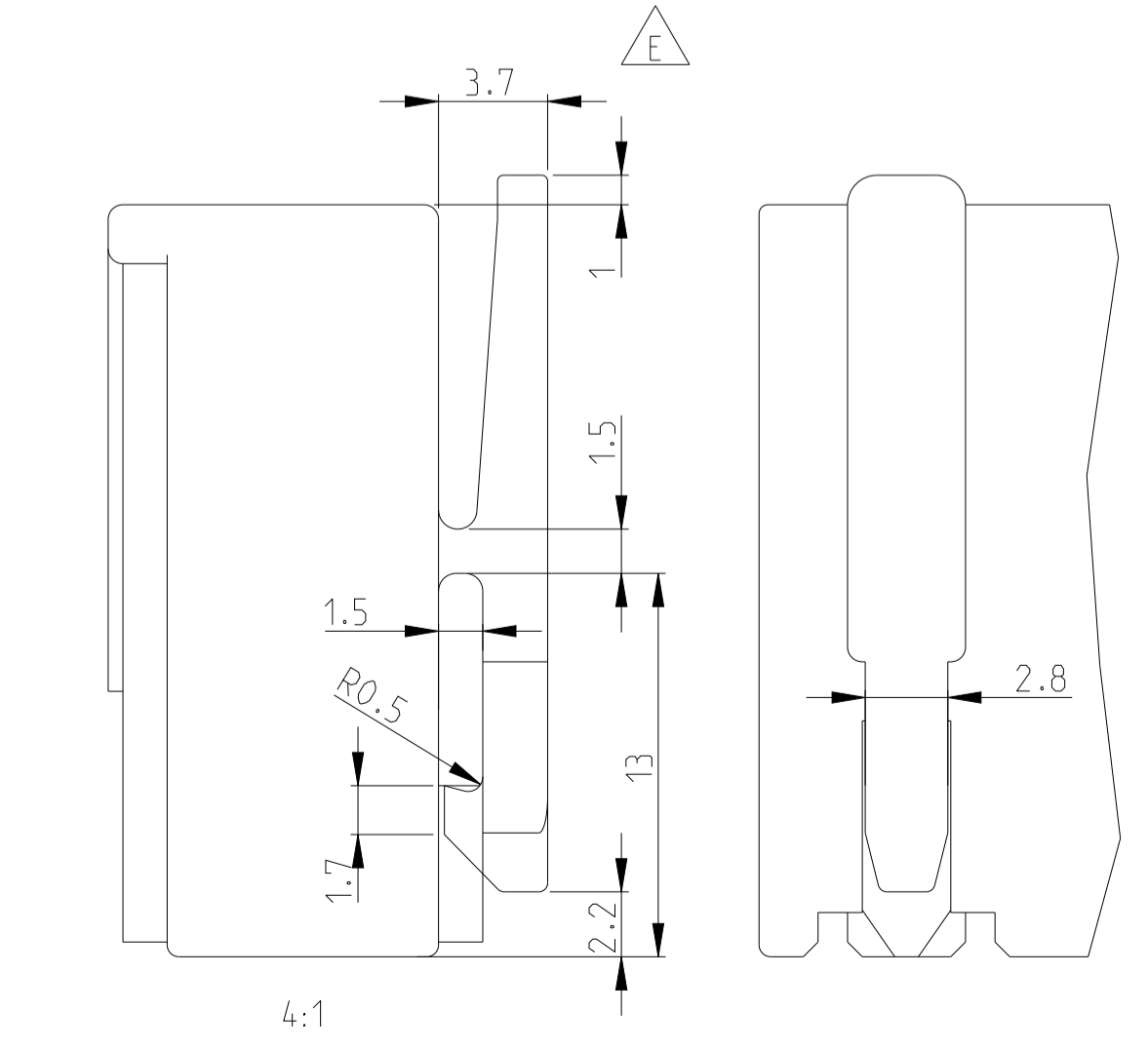
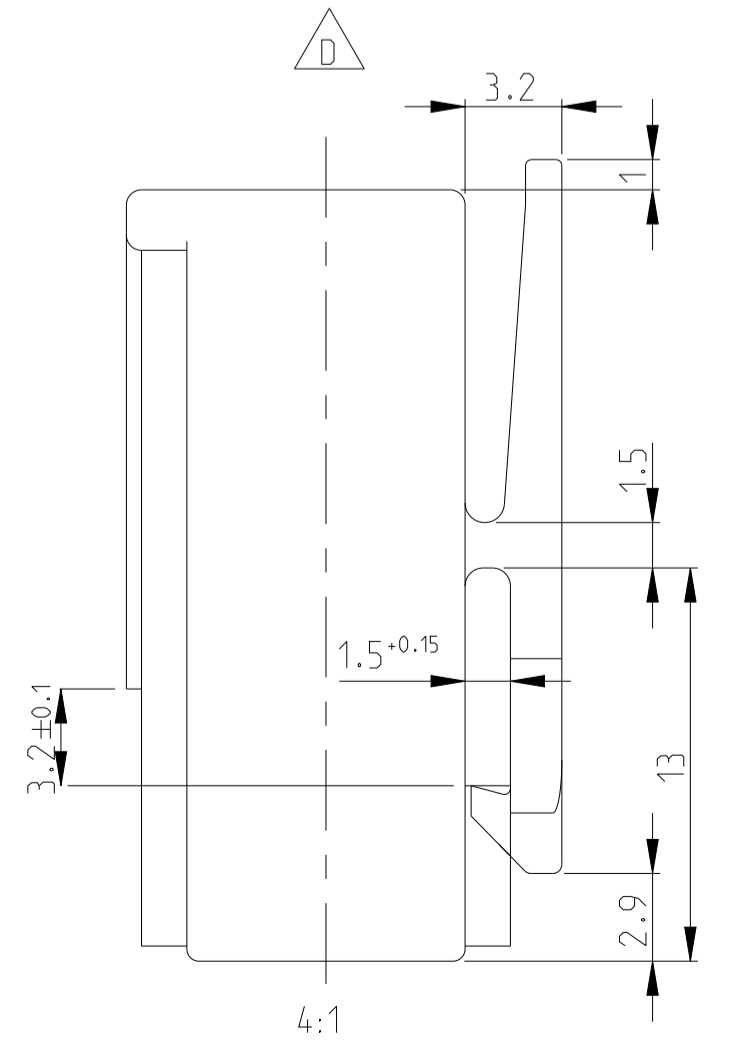
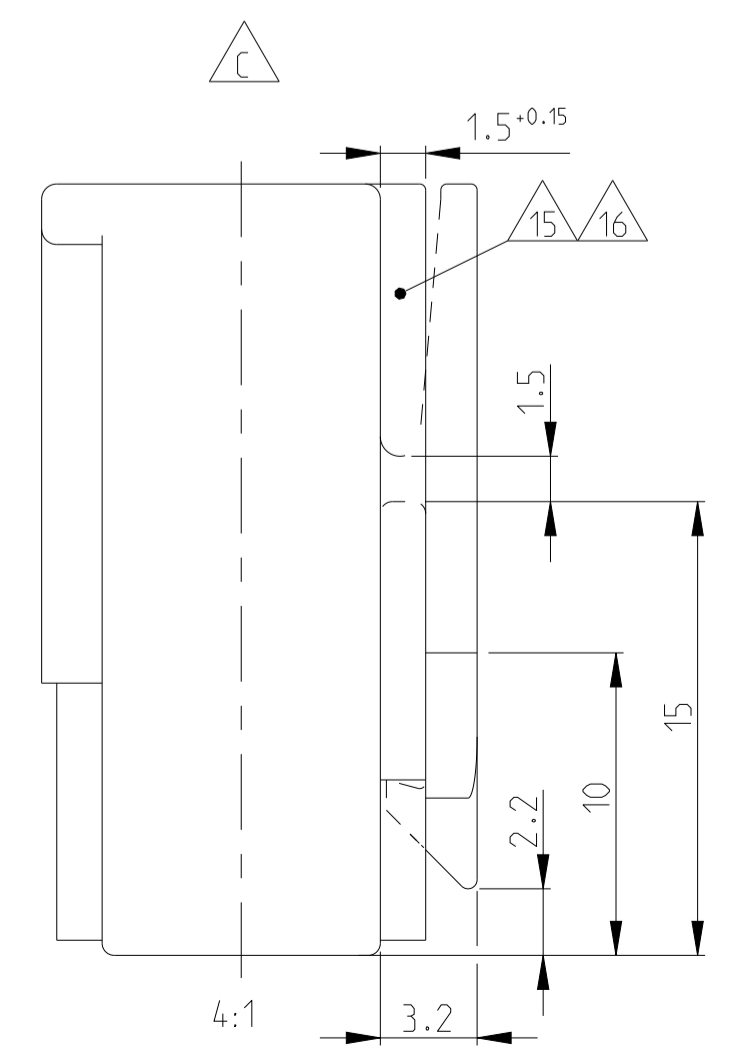
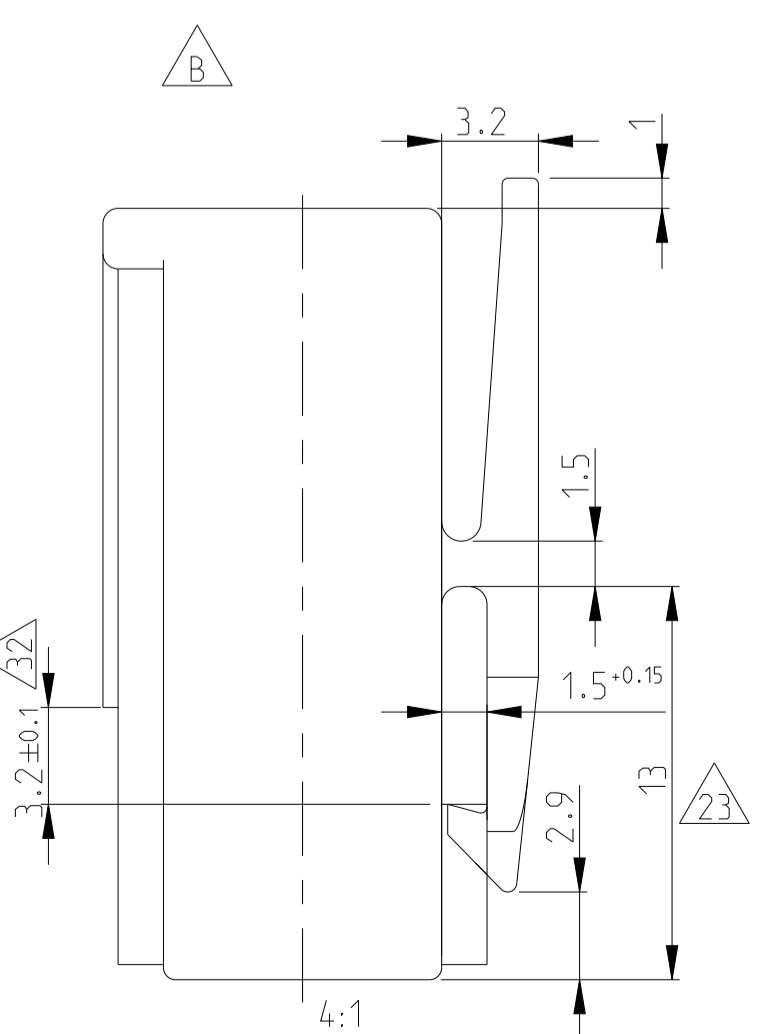
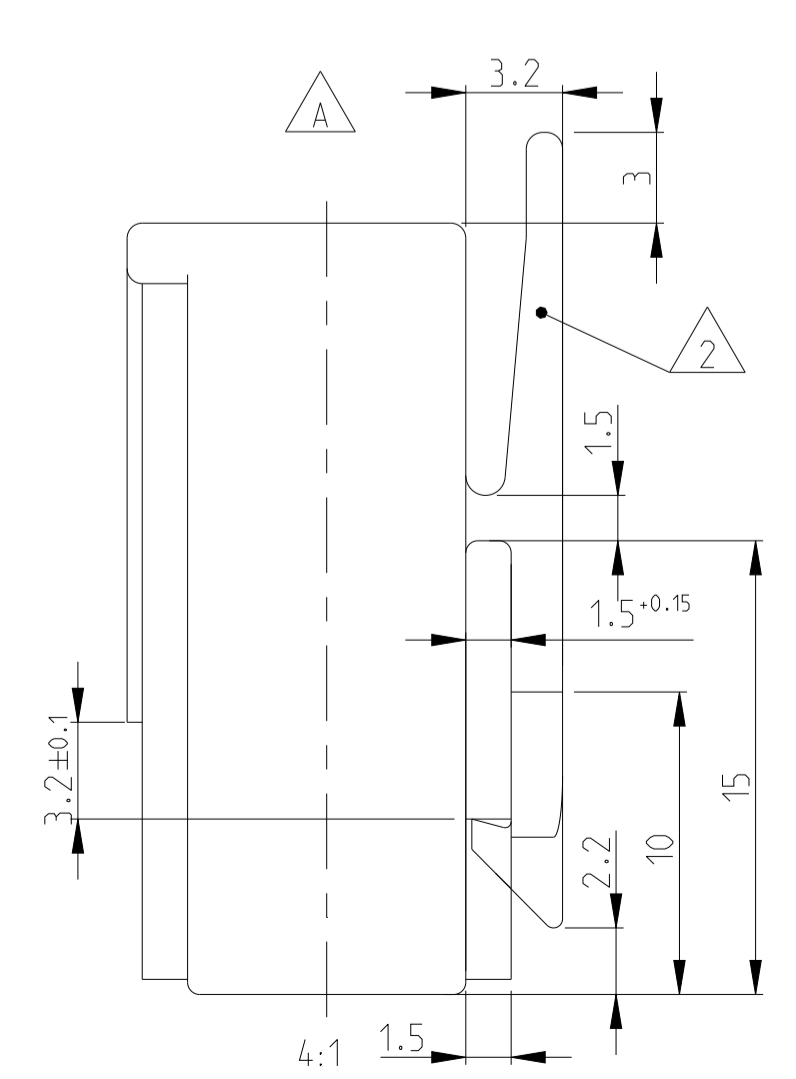
DESCRIPTION
 POSITION OF THE KEYING RIBS, POLARISATION RIBS AND THE LOCKING LATCH



SCALE 2:1

ALL OTHER DIMENSIONS ARE SAME

PAY ATTENTION!
 DIFFERENT LOCKING LATCHES



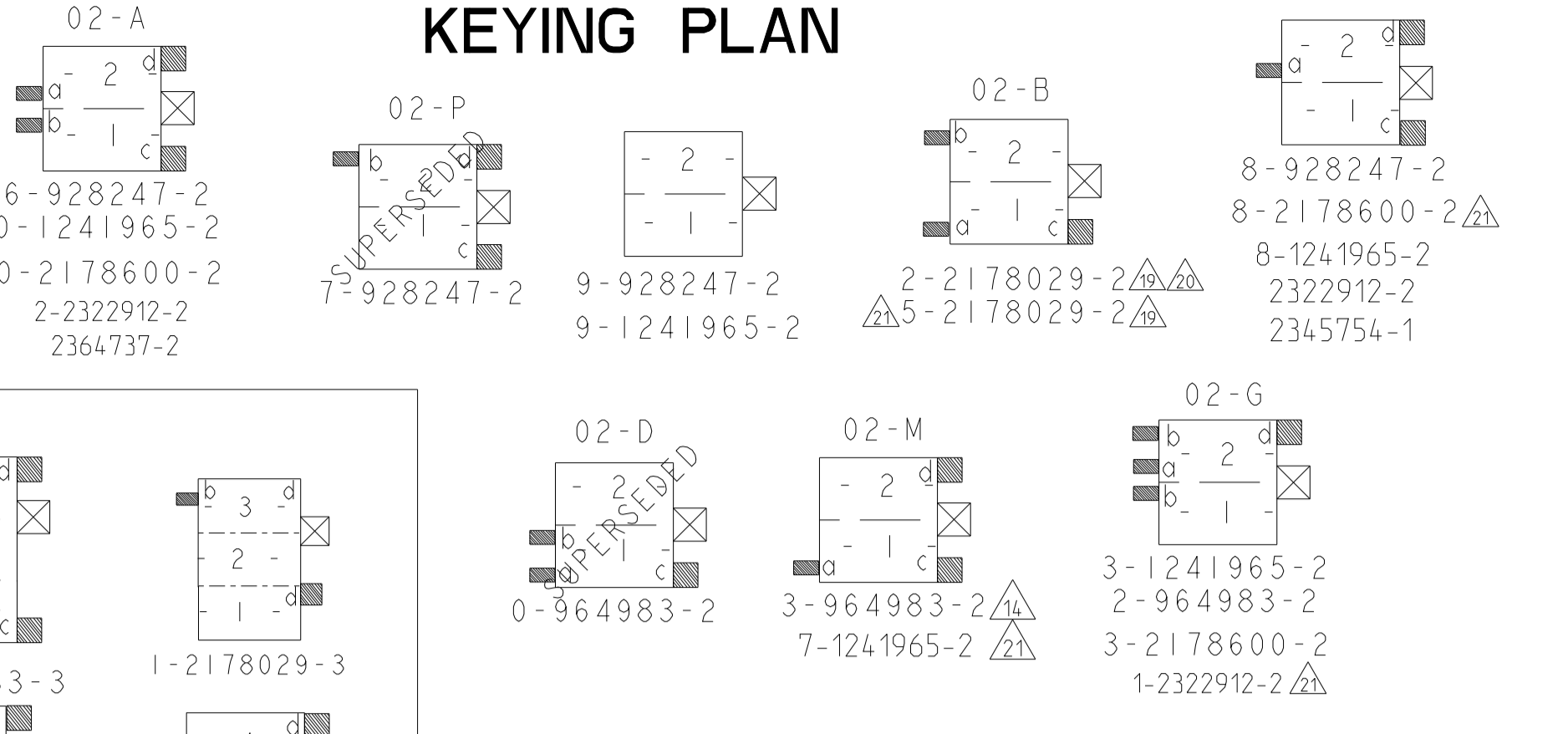
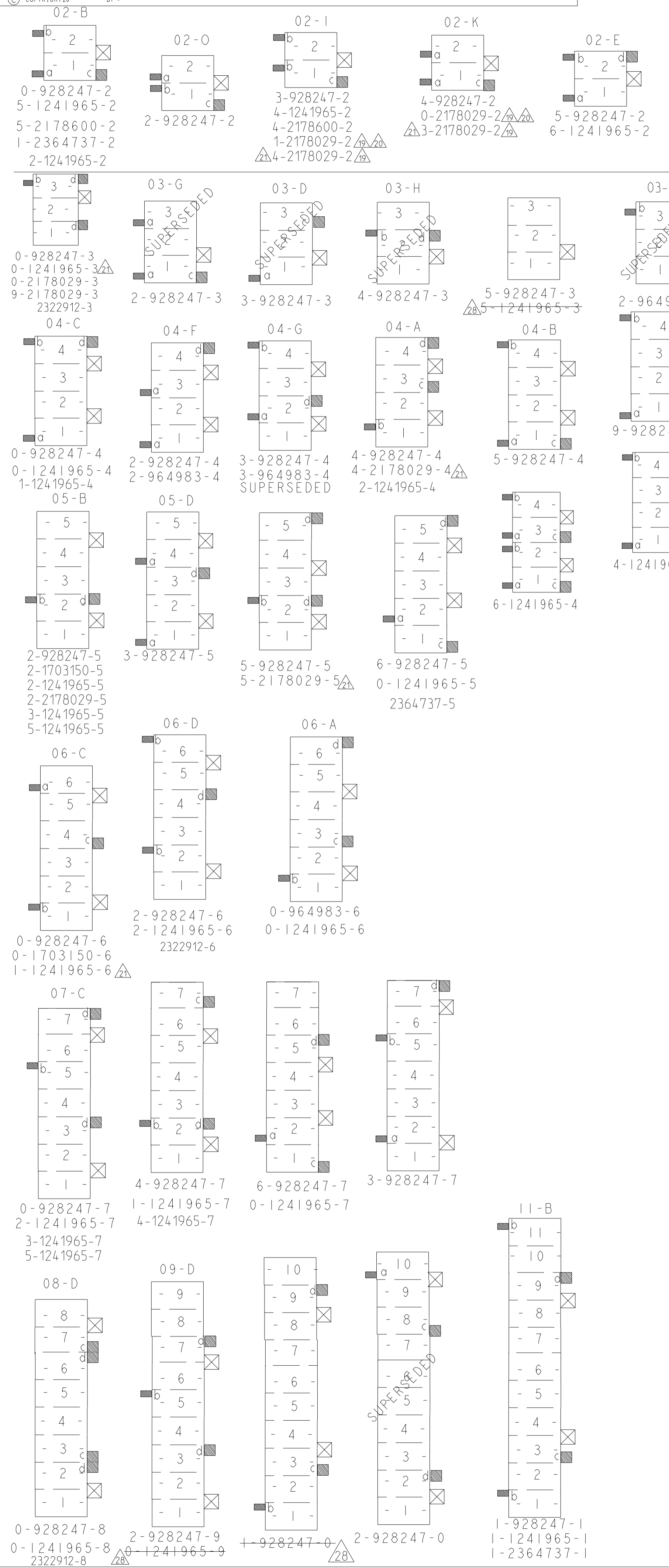
- 1 CAVITY SUITABLE TO STANDARD TIMER CONTACTS LISTED IN PROD: SPEC: 108-18049, ITEM 3.3.2
Kammer geeignet für Standard Timer Kontakte gelistet in Prod. Spec. 108-18049, Punkt 3.3.2
- 2 LOCKING LATCH BETWEEN CAVITY NO. Rasthaken zwischen Kammernummer
- 3 POLARIZATION RIB POSITION "a" OR POSITION "b", AT CAVITY NO..
Polarisierungsrippen (Lage "a") oder (Lage "b") versetzt bei Kammer Nr
- 4 KEYING RIB POSITION "c" OR POSITION "d", AT CAVITY NO..
Kodierungsrippen nach unten (Lage "c") oder oben (Lage "d") versetzt bei Kammernummer
- 5 AREA FOR TE LOGO ACC. TO SPEC 202-36
Bereich für TE Logo nach Spec. 202-36
- 6 WIDTH KEYING RIB BETWEEN CAVITY NO. Breite Kodierrippe zwischen Kammer Nr.
- 7 SUITABLE TO TAB 6.3x0.8mm AND 4.8x0.8mm ACCORDING TO DIN 46244
Geeignet für Flachstecker 6.3x0.8mm und 4.8x0.8mm nach DIN 46244
- 8 MATING STOP BETWEEN CAVITY NO.1 AND 2, ALSO BETWEEN THE LAST AND THE LAST BUT ONE CAVITY
Tiefenanschlag zwischen Kammer Nr.1 und 2, ebenfalls zwischen der letzten und vorletzten Kammer
- 9 CONTACT CAVITY NO. Kammernummer
- 10 DIMENSION A AND DIMENSION B SEE SHEET 2 OF 3
Maß A und Maß B siehe Blatt 2 von 3
- 11 MATED WITH TE CONNECTOR: SEE TABLE, SHEET 2 OF 3
Passender TE Gegenstecker: siehe Tabelle, Seite 2 von 3
- 12 GENERAL SUITABLE TAB HEADER HOUSING SEE RAST 5 PERFORMANCE
Generell passende Flachsteckerwanne, siehe RAST 5 Vorgabe
- 13 CONNECTION TO THE PC BOARD SEE DRAWING 88-9935-4
Leiterplattenanschluß siehe Zeichnung 88-9935-4
- A B SEE TABLE, SHEET 2 OF 3
C D E Siehe Tabelle, Blatt 2 von 3
- 14 MATERIAL CORRESPONDS TO THE REQUIREMENT EN 60335 (INCL. GLOW WIRE TEST 750°C WITHOUT FLAME)
- 15 WIRE TANGLING PROTECTION
- 16 WIRE TANGLING PROTECTION IN COMBINATION WITH CODING RIBS, ONLY VALID FOR VERSIONS 5-964702-3, 0-964702-3, 0-964702-1
- 17 KEYING ACC. TO RAST-5 STANDARD; COLOUR IS DIFFERENT
- 18 8 POS. SPECIAL VERSION WITH SWAGED KEYING RIB
- 19 SPECIAL MATERIAL PA66, UL 94 V0
- 20 DIMENSION "A" IS ACCEPTED WITHIN TOLERANCE +0.05/-0.20.
- 21 PRELIMINARY PART- NOT YET RELEASED FOR PRODUCTION
- 22 ONLY FOR PN 2178600-2, 3-2178600-2, 4-2178600-2, 5-2178600-2, TOLERANCE IS +0.4 -0.2, WORST CASE CAN BE OUT OF RAST STANDARD.
- 23 ONLY FOR PN 2178600-2, 3-2178600-2, 4-2178600-2, 5-2178600-2, TOLERANCE IS +0.4 -0.2
- 24 ONLY FOR PN 2178600-2, 3-2178600-2, 4-2178600-2, 5-2178600-2, TOLERANCE IS ±4°
- 25 ONLY FOR PN 3-1241965-5, 3-1241965-7 TOLERANCE IS +0.3 -0.2
- 26 ONLY FOR PN 3-1241965-5, 3-1241965-7 TOLERANCE IS +0.2 -0.2
- 27 ONLY FOR PN 3-1241965-5, 3-1241965-7 TOLERANCE IS +0.05 -0.2
- 28 OBSOLETE PART
- 29 ONLY FOR 4-1241965-7, 1-2364737-1, TOLERANCE IS -0.3
- 30 ONLY FOR 4-1241965-7, TOLERANCE IS +0.2/-0.25
- 31 ONLY FOR 1-2178029-3, TOLERANCE IS +0.15/-0.2

| | | | | |
|--|--|--|-----------|--|
| THIS DRAWING IS A CONTROLLED DOCUMENT. | | DMN: Kishor M | 16JUL2017 | TE Connectivity |
| DIMENSIONS: mm | | CHK: K. Mundz | 07-NOV-06 | |
| TOLERANCES UNLESS OTHERWISE SPECIFIED: | | APVD: Th. Klenner | 07-NOV-06 | NAME: 2-12 POS. STANDARD TIMER HSG WITH EXTERIOR LOCKING SIZE: A1 CAGE CODE: 00779 DRAWING NO: 1241965 SHEET 1 OF 4 REV B54 |
| 0-PLC ±0.2 1-PLC ±0.1 2-PLC ±0.05 3-PLC ±0.001 4-PLC ±0.0001 | | PRODUCT SPEC: 108-18049-1 APPLICATION SPEC: | | |
| MATERIAL: SEE TABLES | | WEIGHT: - | | RESTRICTED TO: - |
| ANGLES: FINISH: - | | Customer Drawing | | SCALE: 5:1 |

ADDITIONAL NOTES SEE 3 OF SHEET 4

KEYING PLAN

| LOC | DIST | REV | DATE | BY | APPV |
|-----|------|-----|------|----|------|
| A1 | - | 1 | - | - | - |

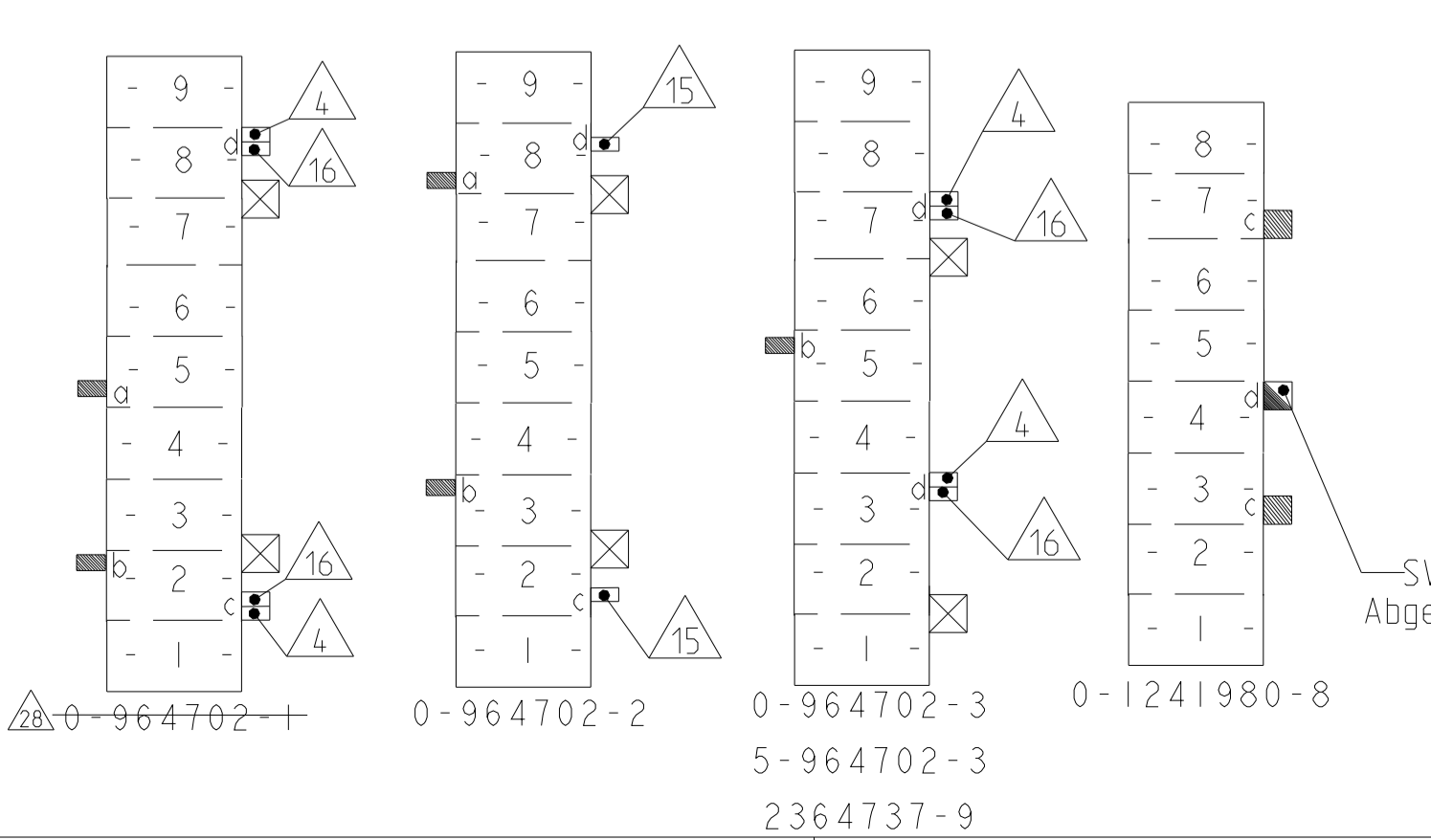


| PART NO. | POS. | RAST 5 | DIM A | DIM B | COLOUR | MATERIAL | LOCKING LATCH | MATED WITH |
|-------------|------|--------|-------|-------|---------|------------------|---------------|--------------|
| Bestell-Nr. | Pol. | Rast 5 | Maß A | Maß B | Farbe | | Rasthaken | Gegenstecker |
| 3-1241965-7 | 7 | 07-C | 35 | 30 | NATURAL | PA6 GF15 UL94V-2 | D | 12/13 |
| 3-1241965-5 | 5 | 05-B | 25 | 20 | NATURAL | UL94V-2 | D | 12/13 |
| 8-2178600-2 | 2 | 02-C | 10 | 5 | NATURAL | PA6 GF15 UL94V-2 | B | 12/13 |
| 5-2178600-2 | 2 | 02-B | 10 | 5 | BLACK | UL94V-2 | B | 12/13 |
| 4-2178600-2 | 2 | 02-I | 10 | 5 | RED | | B | 12/13 |
| 3-2178600-2 | 2 | 02-G | 10 | 5 | BLUE | | B | 12/13 |
| 0-2178600-2 | 2 | 02-A | 10 | 5 | NATURAL | | B | 12/13 |
| 2-1241965-7 | 7 | 07-C | 35 | 30 | NATURAL | PA6 UL94V-2 | B | 12/13 |
| 1-1241965-6 | 6 | 06-C | 30 | 25 | NATURAL | UL94V-2 | B | 12/13 |
| 0-1241965-6 | 6 | 06-A | 30 | 25 | NATURAL | | B | 12/13 |
| 5-1241965-3 | 3 | - | 15 | 10 | NATURAL | | A | 12/13 |
| 0-1241965-3 | 3 | - | 15 | 10 | NATURAL | | B | 12/13 |
| 6-1241965-2 | 2 | 02-E | 10 | 5 | NATURAL | | B | 12/13 |

| | | | | | | | | |
|-------------|---|------|----|----|---------|--------------|---|-------|
| 5-2178029-5 | 5 | - | 25 | 20 | GREEN | | B | 12/13 |
| 2-2178029-5 | 5 | - | 25 | 20 | BLACK | | B | 12/13 |
| 4-2178029-4 | 4 | - | 20 | 15 | NATURAL | | B | 12/13 |
| 9-2178029-3 | 3 | - | 15 | 10 | YELLOW | | B | 12/13 |
| 1-2178029-3 | 3 | - | 15 | 10 | NATURAL | | B | 12/13 |
| 0-2178029-3 | 3 | - | 15 | 10 | NATURAL | PA66 UL94V-0 | B | 12/13 |
| 5-2178029-2 | 2 | 02-B | 10 | 5 | NATURAL | UL94V-0 | B | 12/13 |
| 4-2178029-2 | 2 | 02-I | 10 | 5 | NATURAL | | B | 12/13 |
| 3-2178029-2 | 2 | 02-K | 10 | 5 | NATURAL | | B | 12/13 |
| 2-2178029-2 | 2 | 02-B | 10 | 5 | BLACK | | B | 12/13 |
| 1-2178029-2 | 2 | 02-I | 10 | 5 | RED | | B | 12/13 |
| 0-2178029-2 | 2 | 02-K | 10 | 5 | GREEN | | B | 12/13 |

| PART NO. | POS. | RAST 5 | DIM A | DIM B | COLOUR | MATERIAL | LOCKING LATCH | MATED WITH |
|-------------|------|--------|-------|-------|--------|----------|---------------|--------------|
| Bestell-Nr. | Pol. | Rast 5 | Maß A | Maß B | Farbe | | Rasthaken | Gegenstecker |

SPECIAL VERSIONS SEE SHEET 3 OF 3



| COLOUR | SUPERSEDED BY PN: | PART NO. | POS. | RAST 5 | DIM A | DIM B | COLOUR | MATERIAL | LOCKING LATCH | MATED WITH |
|--------------|-------------------|-------------|------|--------|-------|-------|-----------------------|----------|---------------|----------------|
| Farbe | | Bestell-Nr. | Pol. | Rast 5 | Maß A | Maß B | Farbe | | Rasthaken | Gegenstecker |
| NATURE | | 7-1241965-2 | 2 | 02-M | 10 | 5 | NATURE | UL94 V-0 | B | 12/13 |
| NATURE | | 0-1241980-8 | 8 | - | 40 | 35 | NATURE/natur | UL94V-0 | - | 12/13 |
| NATURE | | 5-964702-3 | - | - | 45 | 40 | NATURE/natur | UL94V-2 | C | 12/13 |
| NATURE | | 0-964702-3 | - | - | - | - | NATURE/natur | | | |
| NATURE | | 0-964702-2 | - | - | - | - | BLACK/schwarz | | | |
| NATURE | | 0-964702-1 | - | - | - | - | NATURE/natur | | | |
| WHITE | | 0-964983-6 | 6 | 06-A | 17 | 30 | WHITE/weiß | | | |
| GREY | | 3-1241817-4 | 4 | 04-G | 17 | 20 | GREY/grau | | | |
| ORANGE | | 2-964983-4 | 4 | 04-F | 17 | 20 | ORANGE/orange | | | |
| GREEN | | 2-1241817-3 | 3 | 03-K | 15 | 10 | GREEN/grün | UL94V-2 | B | 12/13 |
| VIOLET | | 2-964983-2 | 2 | 02-M | 17 | 10 | VIOLET/violett (lila) | | | |
| BLUE | | 2-964983-2 | 2 | 02-G | 17 | 10 | BLUE/blau | | | |
| BLACK | | 3-969484-2 | 2 | 02-D | 17 | 10 | BLACK/schwarz | | | |
| NATURE | | 1-1241965-1 | 11 | 11-B | 17 | 55 | NATURE/natur | | | |
| NATURE | | 0-1241965-9 | 9 | 09-D | 17 | 45 | NATURE/natur | | | |
| NATURE | | 0-1241965-8 | 8 | 08-D | 17 | 40 | NATURE/natur | | | |
| NATURE | | 1-1241965-7 | 7 | - | 35 | 30 | NATURE/natur | | | |
| NATURE | | 0-1241965-7 | 7 | - | 35 | 30 | NATURE/natur | | | |
| NATURE | | 2-1241965-6 | 6 | 06-D | 17 | 30 | NATURE/natur | | | |
| NATURE | | 2-1241965-5 | 5 | 05-B | 17 | 25 | NATURE/natur | | | |
| NATURE | | 0-1241965-5 | 5 | - | 25 | 20 | NATURE/natur | | | |
| NATURAL | | 6-1241965-4 | 4 | - | 20 | 15 | NATURAL | UL94V-2 | B | 12/13 |
| NATURE | | 0-1241965-4 | 4 | 04-C | 17 | 20 | NATURE/natur | | | |
| NATURE | | 9-1241965-2 | 2 | - | 10 | 5 | NATURE/natur | | | |
| BLACK | | 5-1241965-2 | 2 | 02-B | 17 | 10 | BLACK/schwarz | | | |
| RED | | 4-1241965-2 | 2 | 02-I | 17 | 10 | RED/rot | | | |
| BLUE | | 3-1241965-2 | 2 | 02-G | 17 | 10 | BLUE/blau | | | |
| NATURE | | 0-1241965-2 | 2 | 02-A | 17 | 10 | NATURE/natur | | | |
| YELLOW | | 1-928247-1 | 11 | 11-B | 17 | 55 | YELLOW/gelb | | | |
| GREY | | 2-928247-0 | 10 | - | 50 | 45 | GREY/grau | | | |
| BROWN | | 2-928247-0 | 10 | - | 50 | 45 | BROWN/braun | UL94V-2 | B | 964703-3 12/13 |
| BLUE | | 2-928247-9 | 9 | 09-D | 17 | 45 | BLUE/blau | | | |
| BLUE | | 0-928247-8 | 8 | 08-D | 17 | 40 | BLUE/blau | | | |
| GREEN | | 6-928247-7 | 7 | - | 35 | 30 | GREEN/grün | | | |
| NATURE | | 4-928247-7 | 7 | - | 35 | 30 | NATURE/natur | UL94V-0 | A | 12/13 |
| NATURE | | 3-928247-7 | 7 | - | 35 | 30 | NATURE/natur | | | |
| GREY | | 0-928247-7 | 7 | 07-C | 17 | 35 | GREY/grau | | | |
| BLUE | | 2-928247-6 | 6 | 06-D | 17 | 30 | BLUE/blau | | | |
| GREY | | 0-1703150-6 | 6 | 06-C | 17 | 30 | GREY/grau | UL94V-2 | A | 12/13 |
| GREY | | 0-928247-6 | 6 | 06-C | 17 | 30 | GREY/grau | | | |
| NATURE | | 6-928247-5 | 5 | - | 25 | 20 | NATURE/natur | | | |
| GREEN | | 5-928247-5 | 5 | - | 25 | 20 | GREEN/grün | | | |
| BLUE | | 3-928247-5 | 5 | 05-D | 17 | 25 | BLUE/blau | | | |
| BLACK | | 2-1703150-5 | 5 | 05-B | 17 | 25 | BLACK/schwarz | | | |
| BLACK | | 2-928247-5 | 5 | 05-B | 17 | 25 | BLACK/schwarz | | | |
| NATURE | | 9-928247-4 | 4 | - | 20 | 15 | NATURE/natur | UL94V-0 | A | 12/13 |
| BLACK | | 5-928247-4 | 4 | 04-B | 17 | 20 | BLACK/schwarz | | | |
| NATURE | | 4-928247-4 | 4 | 04-A | 17 | 20 | NATURE/natur | | | |
| VIOLET | | 3-928247-4 | 4 | 04-G | 17 | 20 | VIOLET/violett (lila) | | | |
| WHITE | | 2-928247-4 | 4 | 04-F | 17 | 20 | WHITE/weiß | | | |
| GREY | | 0-928247-4 | 4 | 04-C | 17 | 20 | GREY/grau | | | |
| NATURE | | 5-928247-3 | 3 | - | 15 | 10 | NATURE/natur | | | |
| BROWN | | 4-928247-3 | 3 | 03-H | 15 | 10 | BROWN/braun | | | |
| BLUE | | 3-928247-3 | 3 | 03-D | 15 | 10 | BLUE/blau | | | |
| VIOLET | | 2-928247-3 | 3 | 03-G | 15 | 10 | VIOLET/violett (lila) | UL94V-2 | A | 12/13 |
| YELLOW | | 0-928247-3 | 3 | - | 15 | 10 | YELLOW/gelb | | | |
| NATURE | | 9-928247-2 | 2 | - | 10 | 5 | NATURE/natur | | | |
| GREY | | 8-928247-2 | 2 | 02-C | 10 | 5 | GREY/grau | | | |
| PURPLE | | 0-969484-3 | 7 | 02-P | 10 | 5 | PURPLED/purpurröt | | | |
| NATURE | | 6-928247-2 | 2 | 02-A | 10 | 5 | NATURE/natur | | | |
| GREEN | | 5-928247-2 | 2 | 02-E | 10 | 5 | GREEN/grün | | | |
| YELLOW GREEN | | 4-928247-2 | 2 | 02-K | 10 | 5 | YELLOW GREEN/gelbgrün | | | |
| ORANGE | | 3-928247-2 | 2 | 02-I | 10 | 5 | ORANGE/orange | | | |
| PINK | | 2-928247-2 | 2 | 02-O | 10 | 5 | PINK/rosa | | | |
| BLACK | | 0-928247-2 | 2 | 02-B | 10 | 5 | BLACK/schwarz | | | |

THIS DRAWING IS A CONTROLLED DOCUMENT.

TE Connectivity

2-12 POS. STANDARD TIMER HSG WITH EXTERIOR LOCKING

Customer Drawing

SCALE 5:1 SHEET 2 OF 4 REV B54


| LOC | DIST | REVISIONS | | | | | |
|-----|------|-----------|-----|-------------|------|-----|------|
| | | P | LTN | DESCRIPTION | DATE | DWN | APVD |
| A1 | - | | | SEE SHEET 1 | | | |
| | | | | | | | |
| | | | | | | | |

- △32 ONLY FOR 2322912-3. TOLERANCE IS +0.1/-0.15
- △33 ONLY FOR 2322912-6, 1-2364737-1. TOLERANCE IS -0.30
- △34 CANDIDATE PRELIMINARY P/N. NOT YET OFFICIAL. ONLY FOR DISCUSSION. NOT YET RELEASED FOR PRODUCTION.
- △35 DOUBLE SOURCE RESIN: ALTERNATIVE RESIN UNDER APPROVAL.

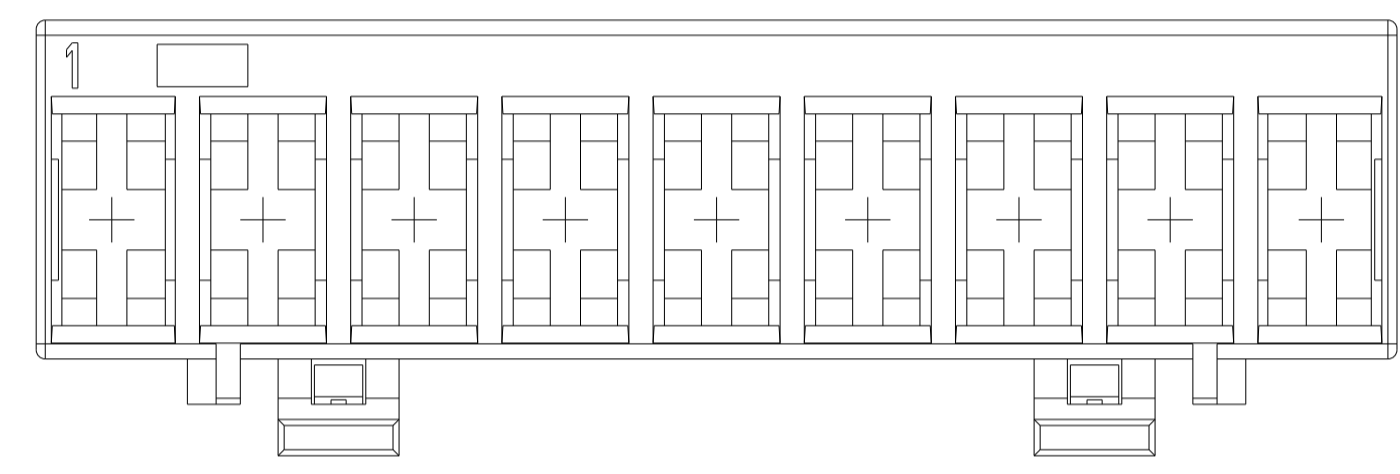
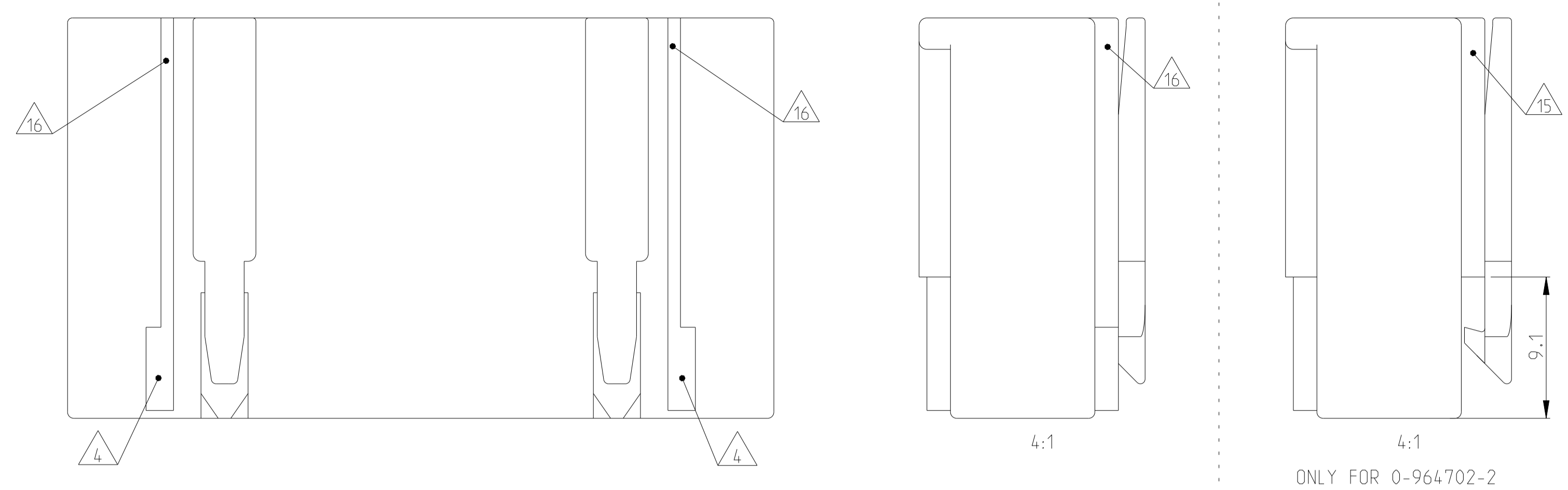
| | | | | | | | | | |
|-------------------------------------|-------------|------|--------|-------|-------|---------|-------------------------------------|---------------|------------|
| | 5-1241965-5 | 5 | 05-B | 25 | 20 | NATURAL | UL94-V0 & GW EPT 750 no flame △△ | E | △△ |
| △△ | 1-2364737-1 | 11 | 11-B | 55 | 50 | BLUE | | B | △△ |
| | 2364737-9 | 9 | - | 45 | 40 | BLUE | UL94-V0 & GW EPT 750 no flame △△ | C | △△ |
| | 2364737-5 | 5 | - | 25 | 20 | BLUE | | B | △△ |
| | 1-2364737-2 | 2 | 02-B | 10 | 5 | BLUE | | B | △△ |
| | 2364737-2 | 2 | 02-A | 10 | 5 | BLUE | | B | △△ |
| | 2322912-8 | 8 | 08-D | 40 | 35 | BLUE | | B | △△ |
| | 2322912-6 | 6 | 06-D | 30 | 25 | BLUE | | B | △△ |
| | 2322912-3 | 3 | - | 15 | 10 | YELLOW | PA66 UL94 V0 GW T 750 | B | △△ |
| | 2-2322912-2 | 2 | 02-A | 10 | 5 | NATURE | | B | △△ |
| △ | 1-2322912-2 | 2 | 02-G | 10 | 5 | BLUE | | B | △△ |
| | 2322912-2 | 2 | 02-C | 10 | 5 | GREY | | B | △△ |
| | 5-1241965-7 | 7 | 07-C | 35 | 30 | NATURAL | | E | △△ |
| | 4-1241965-7 | 7 | - | 35 | 30 | NATURAL | | E | △△ |
| △ | 5-1241965-5 | 5 | 05-B | 25 | 20 | NATURAL | | E | △△ |
| | 5-1241965-4 | 4 | - | 20 | 15 | NATURAL | PA66 UL94 V0 GW T 750 CT1350 | E | △△ |
| | 4-1241965-4 | 4 | - | 20 | 15 | NATURAL | | E | △△ |
| △ | 3-1241965-4 | 4 | - | 20 | 15 | NATURAL | | E | △△ |
| | 2-1241965-4 | 4 | - | 20 | 15 | NATURAL | | E | △△ |
| | 1-1241965-4 | 4 | 04-C | 20 | 15 | NATURAL | | E | △△ |
| | 8-1241965-2 | 2 | 02-C | 10 | 5 | NATURAL | | E | △△ |
| | 2-1241965-2 | 2 | - | 10 | 5 | NATURAL | | E | △△ |
| | PART NO. | POS. | RAST 5 | DIM A | DIM B | COLOUR | MATERIAL | LOCKING LATCH | MATED WITH |
| SPECIAL VERSION: UL94 V0 & GW T 750 | | | | | | | | | |

| | | | | | | | | |
|--------------------------|------|--------|-------|-------|---------|--------------|---------------|------------|
| 2345754-1 | 2 | 02-C | 10 | 5 | NATURAL | PA66 UL94 V0 | E | △△ |
| PART NO. | POS. | RAST 5 | DIM A | DIM B | COLOUR | MATERIAL | LOCKING LATCH | MATED WITH |
| SPECIAL VERSION: UL94 V0 | | | | | | | | |

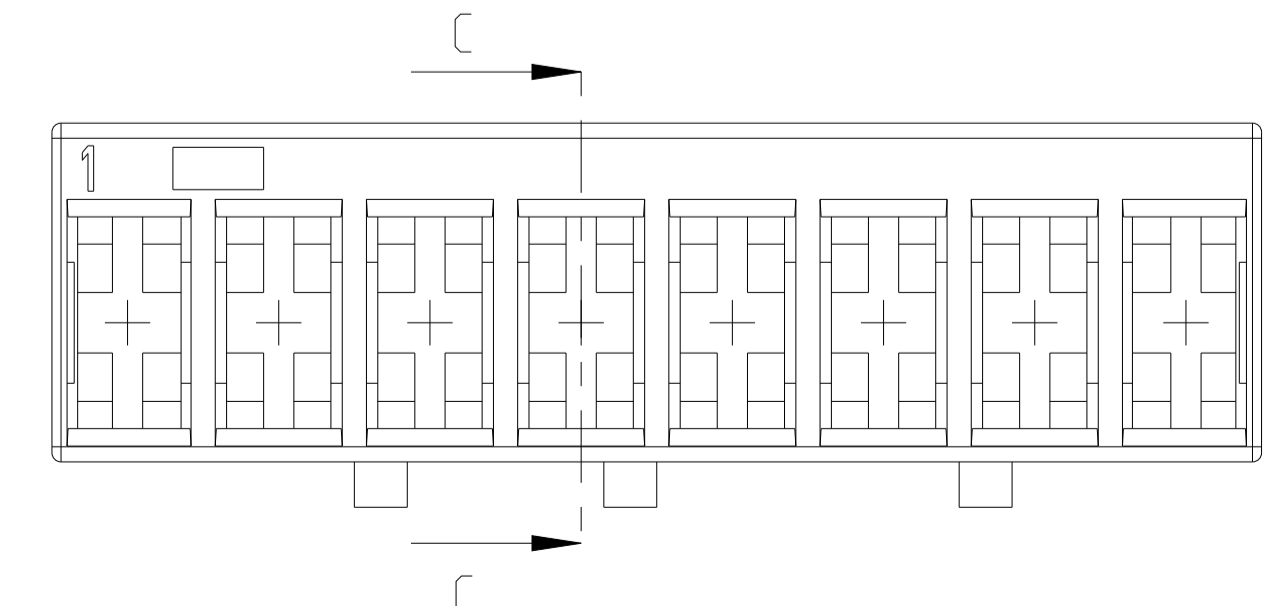
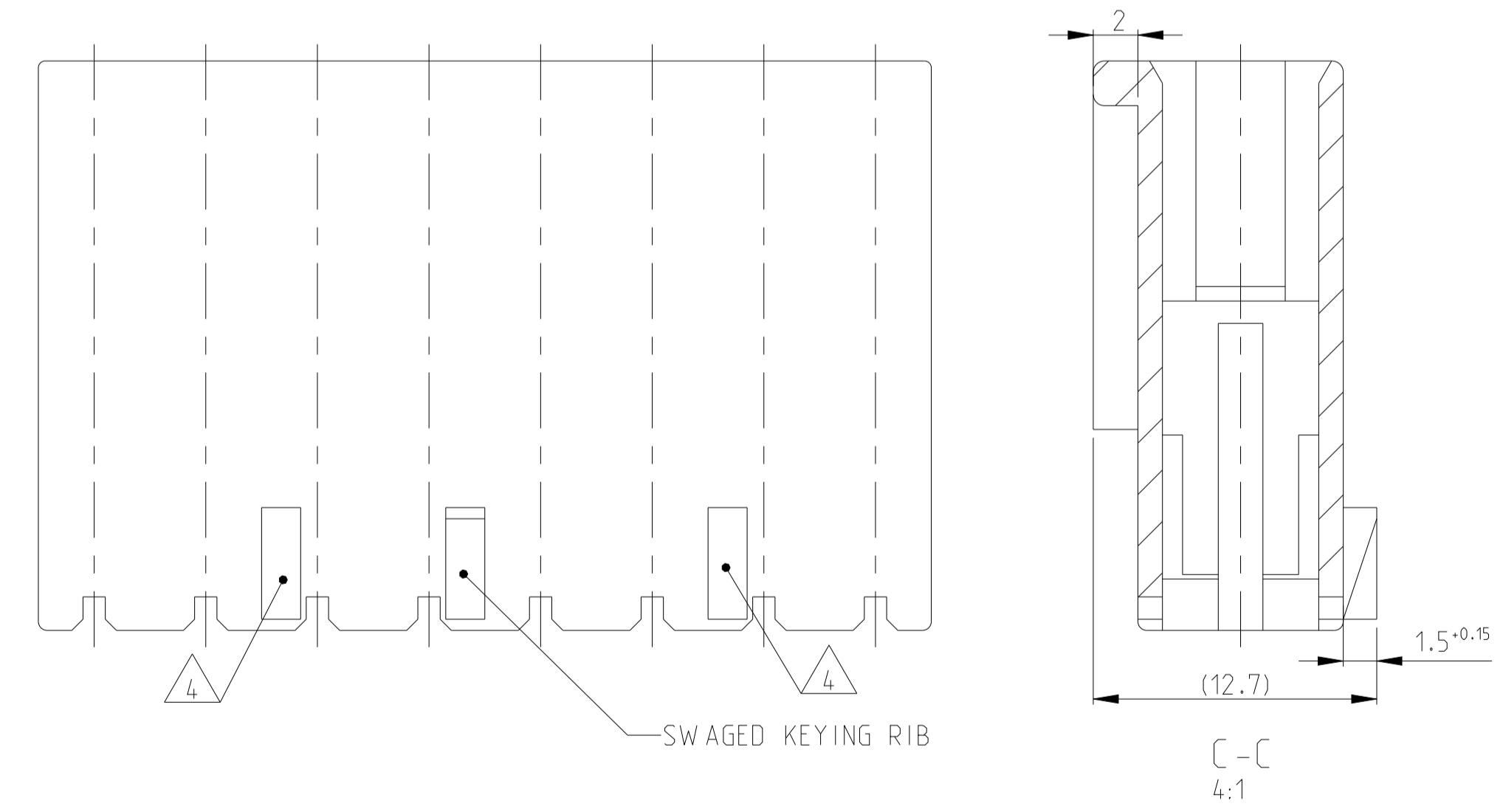
KEYING PLAN SEE SHEET 2 OF 4

| | | | | |
|--|--|---------------------|-----------|---|
| THIS DRAWING IS A CONTROLLED DOCUMENT. | | OWN Kishor M | 18JUL2017 |  TE Connectivity |
| DIMENSIONS: mm | | CHK K. Munz | 07-NOV-06 | |
| TOLERANCES UNLESS OTHERWISE SPECIFIED: | | APVD Th. Klenner | 07-NOV-06 | NAME |
| 0 PLC ±0.1 | | PRODUCT SPEC | | 2-12 POS. STANDARD TIMER HSG WITH EXTERIOR LOCKING |
| 1 PLC ±0.01 | | APPLICATION SPEC | | |
| 2 PLC ±0.01 | | RESTRICTED TO | | |
| 3 PLC ±0.001 | | SIZE | | A1 |
| 4 PLC ±0.0001 | | CAGE CODE | | 00779 |
| ANGLES FINISH | | DRAWING NO | | 4241965 |
| MATERIAL SEE TABLES | | WEIGHT | | - |
| | | Customer Drawing | | SCALE 5:1 SHEET 3 OF 4 |

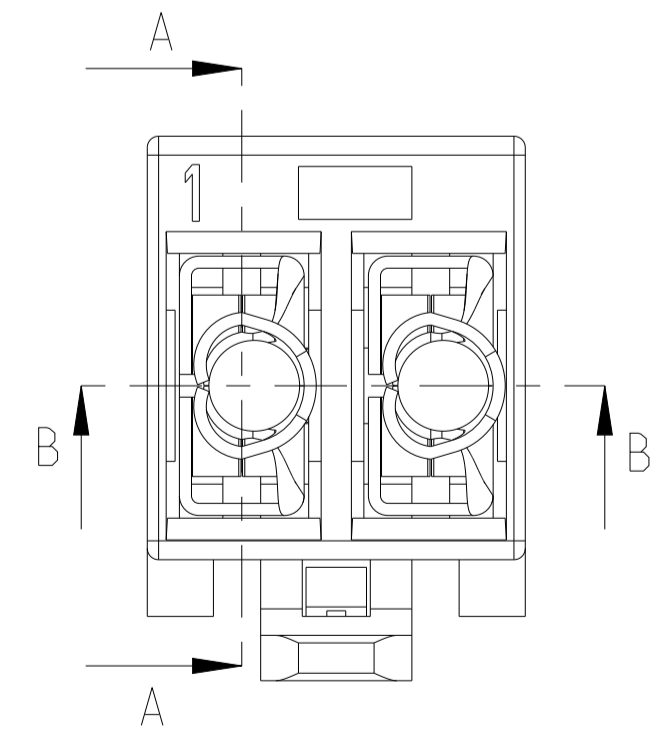
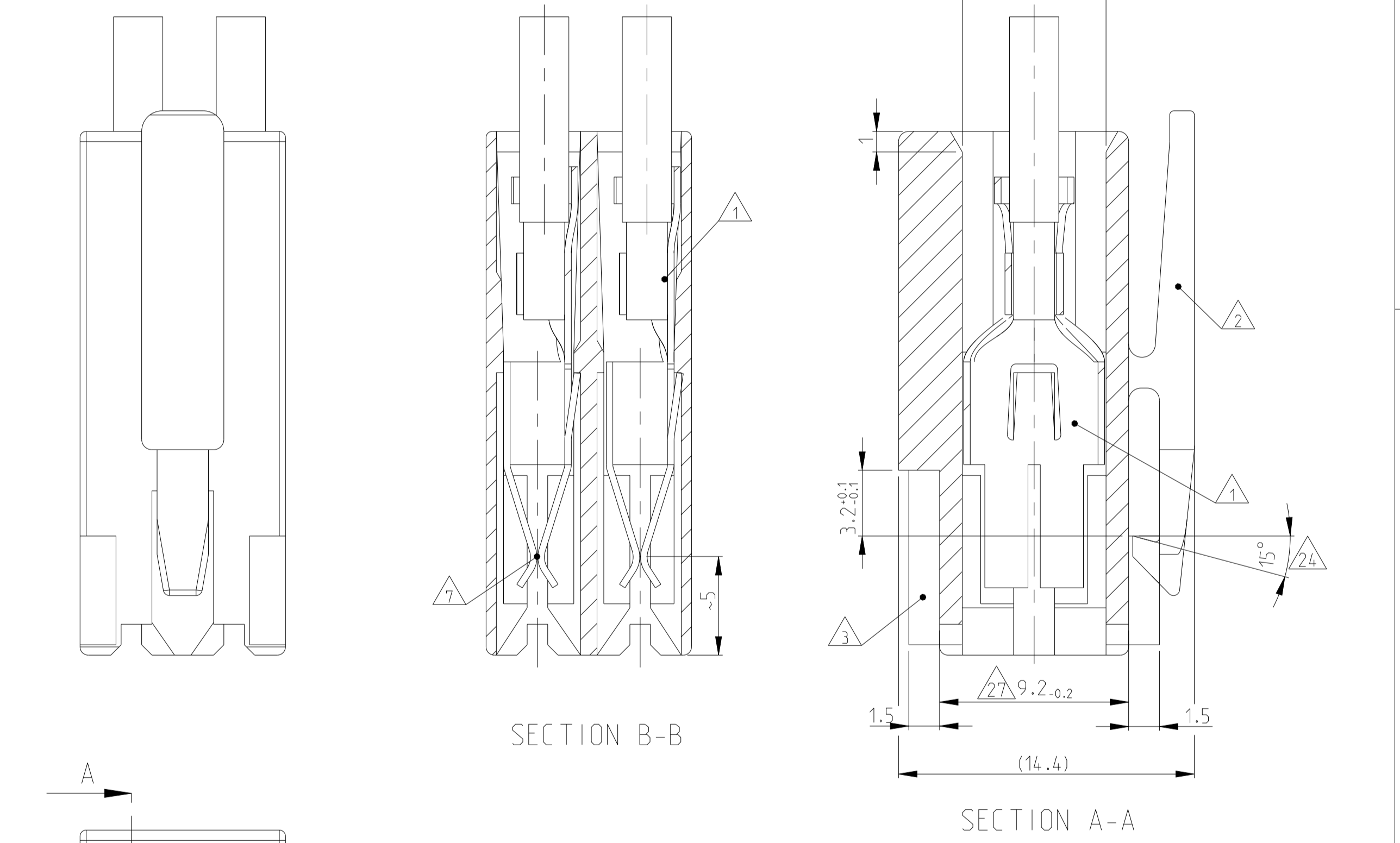
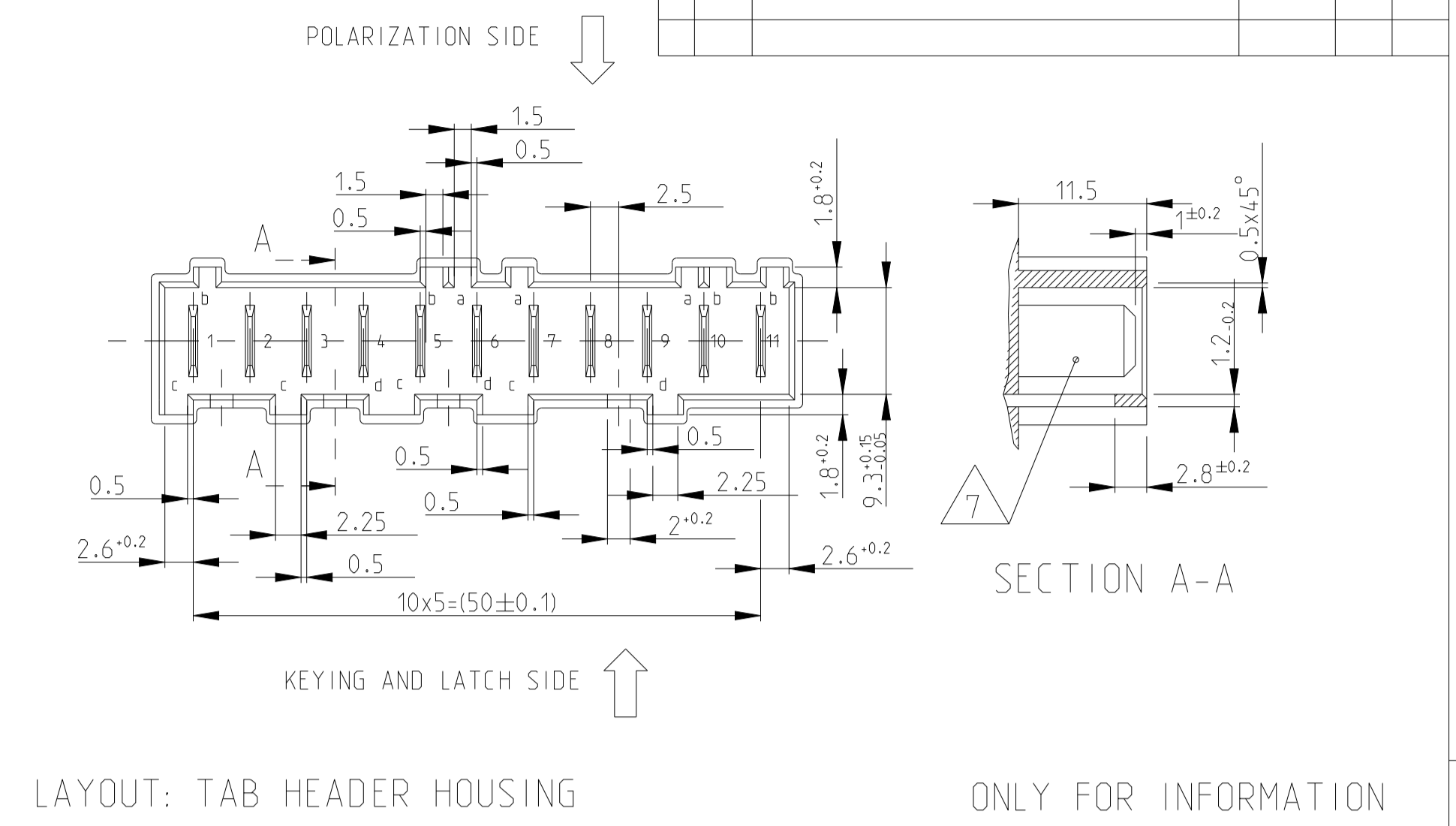
SPECIAL VERSIONS $\triangle 15$ $\triangle 16$
 9 POS STD. TIMER HSG. WITH TANGLING PROTECTION



SPECIAL VERSION $\triangle 18$
 8 POS SPECIAL STD. TIMER HSG.



| LOC | DIST | REVISIONS | | | |
|-----|------|-------------|------|-----|------|
| P | LTN | DESCRIPTION | DATE | OWN | APVD |
| - | - | SEE SHEET 1 | - | - | - |



| | | | | | |
|--|--|-------------------------|-------------|------------------|---|
| THIS DRAWING IS A CONTROLLED DOCUMENT. | | OWN: Kishor M | 18 JUL 2017 | | TE Connectivity NAME: 2-12 POS. STANDARD TIMER HSG WITH EXTERIOR LOCKING SIZE: A1 CAGE CODE: 00779 DRAWING NO: 1241965 SCALE: 5:1 SHEET: 4 OF 4 REV: B54 |
| DIMENSIONS: mm | | CHK: K. Munz | 07-NOV-06 | | |
| TOLERANCES UNLESS OTHERWISE SPECIFIED: ±0.2 | | APVD: Th. Klenner | 07-NOV-06 | RESTRICTED TO | |
| 0-PLC ±0.1 1-PLC ±0.1 2-PLC ±0.05 3-PLC ±0.001 4-PLC ±0.0001 | | PRODUCT SPEC: 108-18049 | | APPLICATION SPEC | |
| MATERIAL: SEE TABLES | | WEIGHT: - | | Customer Drawing | |

Mouser Electronics

Authorized Distributor

Click to View Pricing, Inventory, Delivery & Lifecycle Information:

[TE Connectivity:](#)

[5-928247-5](#)