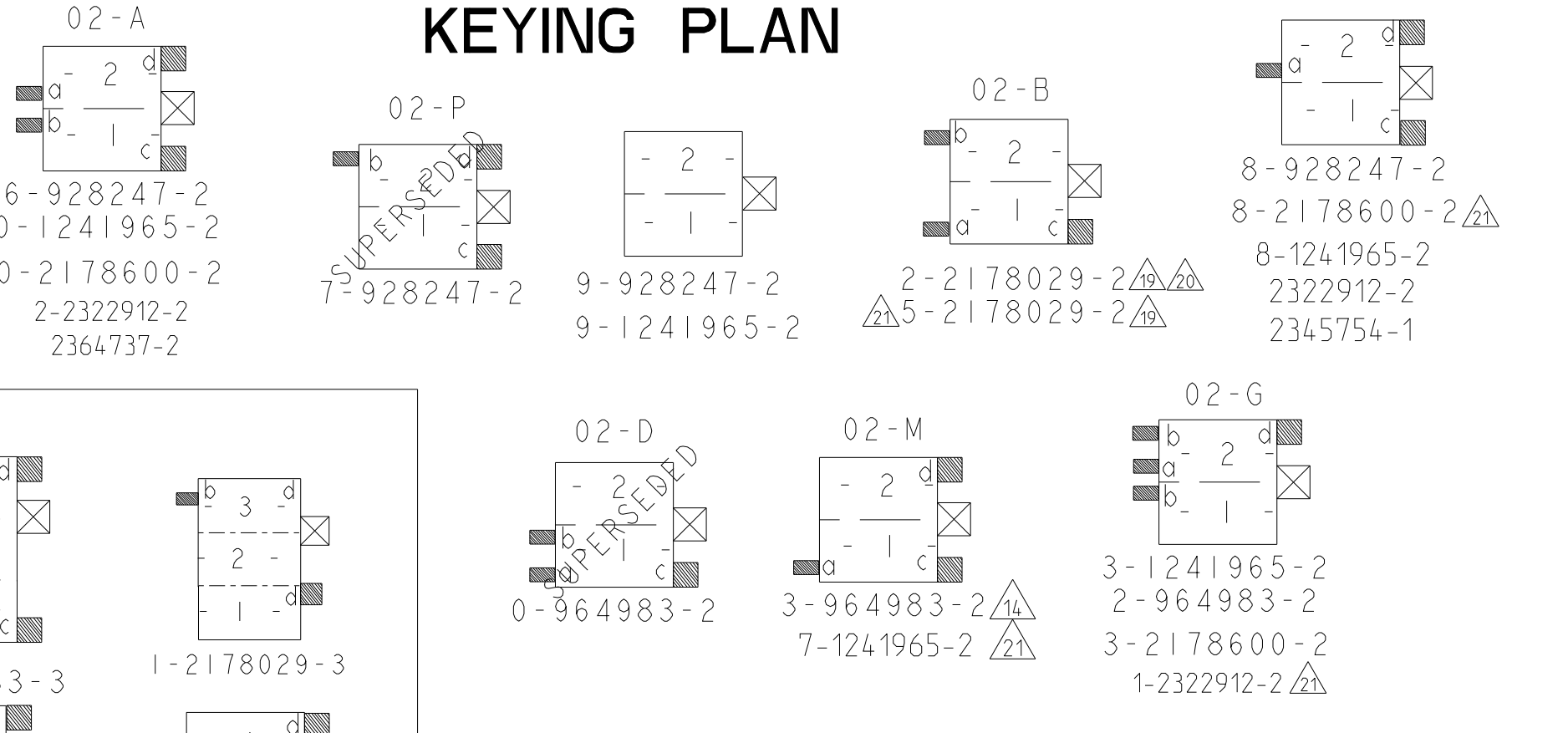
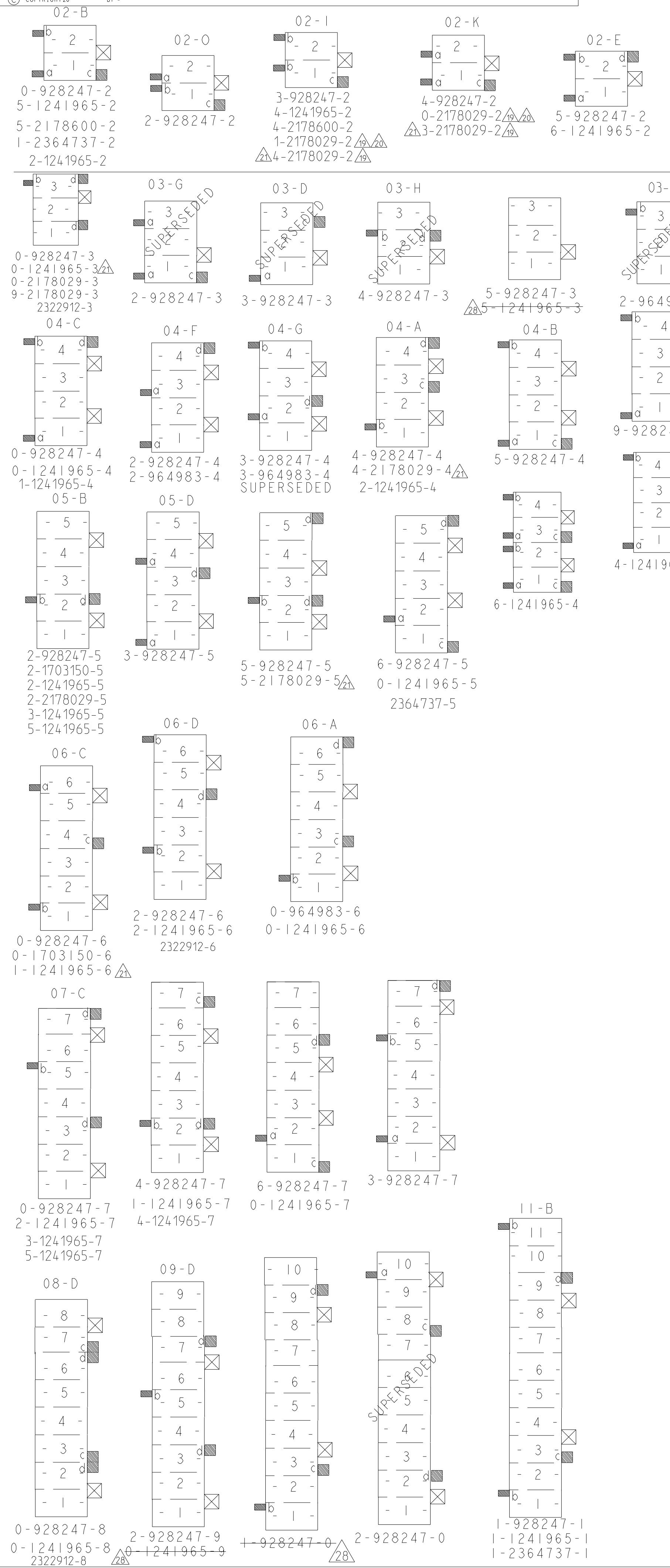


KEYING PLAN

LOC	DIST	REV	DATE	BY	APPV
A1	-	1	-	-	-

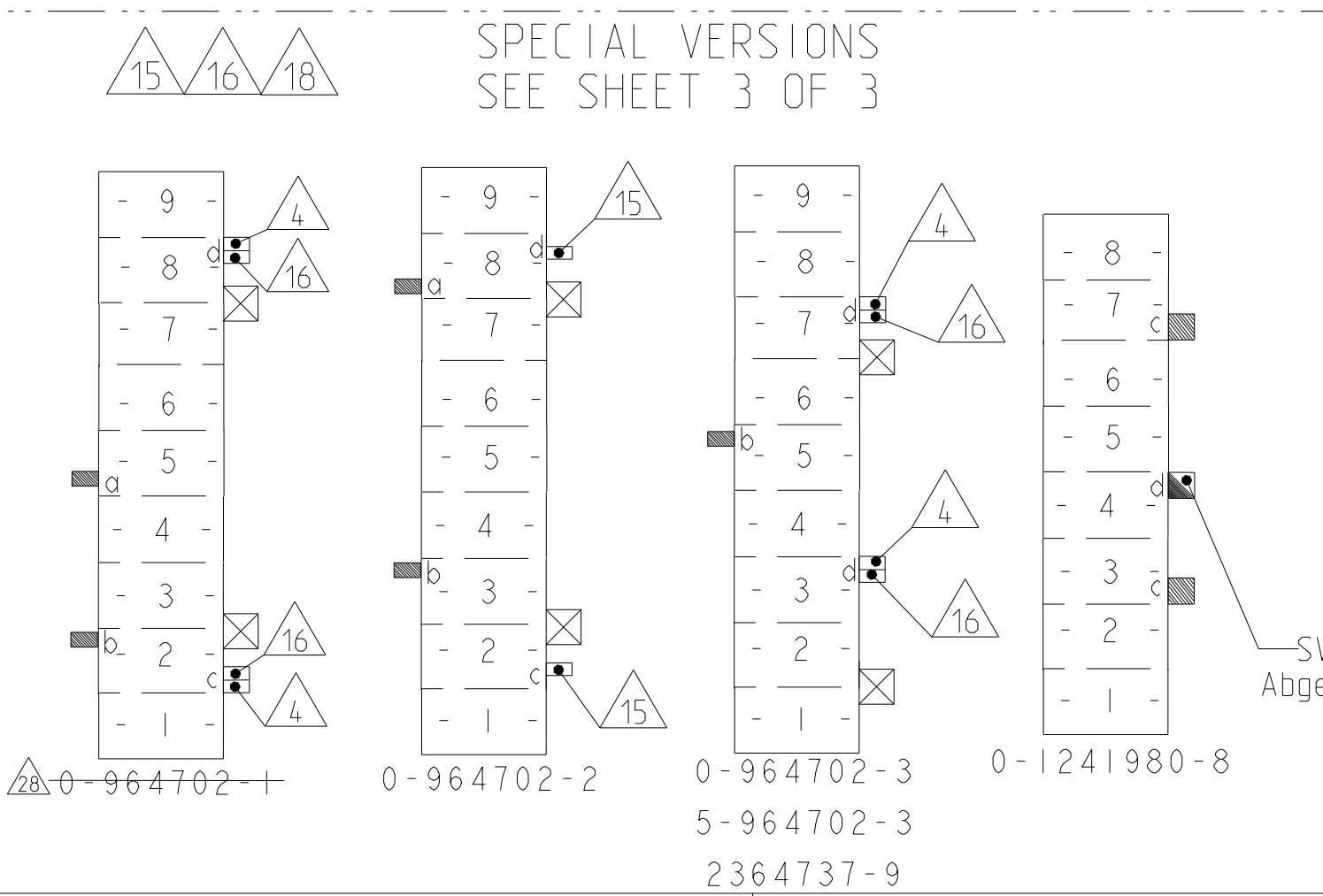


PART NO.	POS.	RAST 5	DIM A	DIM B	COLOUR	MATERIAL	LOCKING LATCH	MATED WITH
Bestell-Nr.	Pol.	Rast 5	Maß A	Maß B	Farbe		Rasthaken	Gegenstecker
3-1241965-7	7	07-C	35	30	NATURAL	PA6 GF15 UL94V-2	D	12/13
3-1241965-5	5	05-B	25	20	NATURAL	UL94V-2	D	12/13
8-2178600-2	2	02-C	10	5	NATURAL	PA6 GF15 UL94V-2	B	12/13
5-2178600-2	2	02-B	10	5	BLACK	UL94V-2	B	12/13
4-2178600-2	2	02-I	10	5	RED	UL94V-2	B	12/13
3-2178600-2	2	02-G	10	5	BLUE	UL94V-2	B	12/13
0-2178600-2	2	02-A	10	5	NATURAL	UL94V-2	B	12/13
2-1241965-7	7	07-C	35	30	NATURAL	PA6 UL94V-2	B	12/13
1-1241965-6	6	06-C	30	25	NATURAL	UL94V-2	B	12/13
0-1241965-6	6	06-A	30	25	NATURAL	UL94V-2	B	12/13
5-1241965-3	3	-	15	10	NATURAL	UL94V-2	A	12/13
0-1241965-3	3	-	15	10	NATURAL	UL94V-2	B	12/13
6-1241965-2	2	02-E	10	5	NATURAL	UL94V-2	B	12/13

5-2178029-5	5	-	25	20	GREEN	UL94V-2	B	12/13
2-2178029-5	5	-	25	20	BLACK	UL94V-2	B	12/13
4-2178029-4	4	-	20	15	NATURAL	UL94V-2	B	12/13
9-2178029-3	3	-	15	10	YELLOW	UL94V-2	B	12/13
1-2178029-3	3	-	15	10	NATURAL	UL94V-2	B	12/13
0-2178029-3	3	-	15	10	NATURAL	UL94V-2	B	12/13
5-2178029-2	2	02-B	10	5	NATURAL	UL94V-0	B	12/13
4-2178029-2	2	02-I	10	5	NATURAL	UL94V-0	B	12/13
3-2178029-2	2	02-K	10	5	NATURAL	UL94V-0	B	12/13
2-2178029-2	2	02-B	10	5	BLACK	UL94V-0	B	12/13
1-2178029-2	2	02-I	10	5	RED	UL94V-0	B	12/13
0-2178029-2	2	02-K	10	5	GREEN	UL94V-0	B	12/13

PART NO.	POS.	RAST 5	DIM A	DIM B	COLOUR	MATERIAL	LOCKING LATCH	MATED WITH
Bestell-Nr.	Pol.	Rast 5	Maß A	Maß B	Farbe		Rasthaken	Gegenstecker

SPECIAL VERSIONS SEE SHEET 3 OF 3



COLOUR	SUPERSEDED BY PN:	PART NO.	POS.	RAST 5	DIM A	DIM B	COLOUR	MATERIAL	LOCKING LATCH	MATED WITH
Farbe		Bestell-Nr.	Pol.	Rast 5	Maß A	Maß B	Farbe		Rasthaken	Gegenstecker
NATURE		7-1241965-2	2	02-M	10	5	NATURE	UL94 V-0	B	12/13
NATURE		0-1241980-8	8	-	40	35	NATURE/natur	UL94V-0	-	12/13
NATURE		5-964702-3	-	-	45	40	NATURE/natur	UL94V-2	C	12/13
NATURE		0-964702-3	9	-	-	-	NATURE/natur	UL94V-2	C	12/13
NATURE		0-964702-2	-	-	-	-	BLACK/schwarz	UL94V-2	C	12/13
NATURE		0-964702-1	-	-	-	-	NATURE/natur	UL94V-2	C	12/13
WHITE		0-964983-6	6	06-A	17	30	WHITE/weiß	UL94V-2	B	12/13
GREY		3-1241817-4	4	04-G	17	20	GREY/grau	UL94V-2	B	12/13
ORANGE		2-964983-4	4	04-F	17	20	ORANGE/orange	UL94V-2	B	12/13
GREEN		2-1241817-3	3	03-K	15	10	GREEN/grün	UL94V-2	B	12/13
VIOLET		2-964983-2	2	02-M	17	10	VIOLET/violett (lila)	UL94V-2	B	12/13
BLUE		2-964983-2	2	02-G	17	10	BLUE/blau	UL94V-2	B	12/13
BLACK		3-969484-2	2	02-D	17	10	BLACK/schwarz	UL94V-2	B	12/13
NATURE		1-1241965-1	11	11-B	17	55	NATURE/natur	UL94V-2	B	12/13
NATURE		0-1241965-9	9	09-D	17	45	NATURE/natur	UL94V-2	B	12/13
NATURE		0-1241965-8	8	08-D	17	40	NATURE/natur	UL94V-2	B	12/13
NATURE		1-1241965-7	7	-	35	30	NATURE/natur	UL94V-2	B	12/13
NATURE		0-1241965-7	7	-	35	30	NATURE/natur	UL94V-2	B	12/13
NATURE		2-1241965-6	6	06-D	17	30	NATURE/natur	UL94V-2	B	12/13
NATURE		2-1241965-5	5	05-B	17	25	NATURE/natur	UL94V-2	B	12/13
NATURE		0-1241965-5	5	-	25	20	NATURE/natur	UL94V-2	B	12/13
NATURAL		6-1241965-4	4	-	20	15	NATURAL	UL94V-2	B	12/13
NATURE		0-1241965-4	4	04-C	17	20	NATURE/natur	UL94V-2	B	12/13
NATURE		9-1241965-2	2	-	10	5	NATURE/natur	UL94V-2	B	12/13
BLACK		5-1241965-2	2	02-B	17	10	BLACK/schwarz	UL94V-2	B	12/13
RED		4-1241965-2	2	02-I	17	10	RED/rot	UL94V-2	B	12/13
BLUE		3-1241965-2	2	02-G	17	10	BLUE/blau	UL94V-2	B	12/13
NATURE		0-1241965-2	2	02-A	17	10	NATURE/natur	UL94V-2	B	12/13
YELLOW		1-928247-1	11	11-B	17	55	YELLOW/gelb	UL94V-2	B	12/13
GREY		2-928247-0	10	-	50	45	GREY/grau	UL94V-2	B	12/13
BROWN		2-928247-0	10	-	50	45	BROWN/braun	UL94V-2	B	12/13
BLUE		2-928247-9	9	09-D	17	45	BLUE/blau	UL94V-2	B	12/13
BLUE		0-928247-8	8	08-D	17	40	BLUE/blau	UL94V-2	B	12/13
GREEN		6-928247-7	7	-	35	30	GREEN/grün	UL94V-2	A	12/13
NATURE		4-928247-7	7	-	35	30	NATURE/natur	UL94V-2	A	12/13
NATURE		3-928247-7	7	-	35	30	NATURE/natur	UL94V-0	A	12/13
GREY		0-928247-7	7	07-C	17	35	GREY/grau	UL94V-2	B	12/13
BLUE		2-928247-6	6	06-D	17	30	BLUE/blau	UL94V-2	B	12/13
GREY		0-1703150-6	6	06-C	17	30	GREY/grau	UL94V-2	A	12/13
GREY		0-928247-6	6	06-C	17	30	GREY/grau	UL94V-2	B	12/13
NATURE		6-928247-5	5	-	25	20	NATURE/natur	UL94V-2	B	12/13
GREEN		5-928247-5	5	-	25	20	GREEN/grün	UL94V-2	B	12/13
BLUE		3-928247-5	5	05-D	17	25	BLUE/blau	UL94V-2	A	12/13
BLACK		2-1703150-5	5	05-B	17	25	BLACK/schwarz	UL94V-2	A	12/13
BLACK		2-928247-5	5	05-B	17	25	BLACK/schwarz	UL94V-2	B	12/13
NATURE		9-928247-4	4	-	20	15	NATURE/natur	UL94V-0	A	12/13
BLACK		5-928247-4	4	04-B	17	20	BLACK/schwarz	UL94V-0	A	12/13
NATURE		4-928247-4	4	04-A	17	20	NATURE/natur	UL94V-0	B	12/13
VIOLET		3-928247-4	4	04-G	17	20	VIOLET/violett (lila)	UL94V-0	B	12/13
WHITE		2-928247-4	4	04-F	17	20	WHITE/weiß	UL94V-0	B	12/13
GREY		0-928247-4	4	04-C	17	20	GREY/grau	UL94V-0	B	12/13
NATURE		5-928247-3	3	-	15	10	NATURE/natur	UL94V-2	A	12/13
BROWN		4-928247-3	3	03-H	15	10	BROWN/braun	UL94V-2	A	12/13
BLUE		3-928247-3	3	03-D	15	10	BLUE/blau	UL94V-2	A	12/13
VIOLET		2-928247-3	3	03-G	15	10	VIOLET/violett (lila)	UL94V-2	A	12/13
YELLOW		0-928247-3	3	-	15	10	YELLOW/gelb	UL94V-2	B	12/13
NATURE		9-928247-2	2	-	10	5	NATURE/natur	UL94V-2	B	12/13
GREY		8-928247-2	2	02-C	10	5	GREY/grau	UL94V-2	B	12/13
PURPLE		0-969484-3	7	02-P	10	5	PURPLED/purpurrot	UL94V-2	A	12/13
NATURE		6-928247-2	2	02-A	10	5	NATURE/natur	UL94V-2	B	12/13
GREEN		5-928247-2	2	02-E	10	5	GREEN/grün	UL94V-2	B	12/13
YELLOW GREEN		4-928247-2	2	02-K	10	5	YELLOW GREEN/gelbgrün	UL94V-2	B	12/13
ORANGE		3-928247-2	2	02-I	10	5	ORANGE/orange	UL94V-2	A	12/13
PINK		2-928247-2	2	02-O	10	5	PINK/rosa	UL94V-2	A	12/13
BLACK		0-928247-2	2	02-B	10	5	BLACK/schwarz	UL94V-2	B	12/13

THIS DRAWING IS A CONTROLLED DOCUMENT.

TE Connectivity

2-12 POS. STANDARD TIMER HSG WITH EXTERIOR LOCKING

Customer Drawing

SCALE 5:1 SHEET 2 OF 4 REV B54


LOC	DIST	REVISIONS					
		P	LTN	DESCRIPTION	DATE	DWN	APVD
A1	-			SEE SHEET 1			

- △32 ONLY FOR 2322912-3. TOLERANCE IS +0.1/-0.15
- △33 ONLY FOR 2322912-6. 1-2364737-1. TOLERANCE IS -0.30
- △34 CANDIDATE PRELIMINARY P/N. NOT YET OFFICIAL. ONLY FOR DISCUSSION. NOT YET RELEASED FOR PRODUCTION.
- △35 DOUBLE SOURCE RESIN: ALTERNATIVE RESIN UNDER APPROVAL.

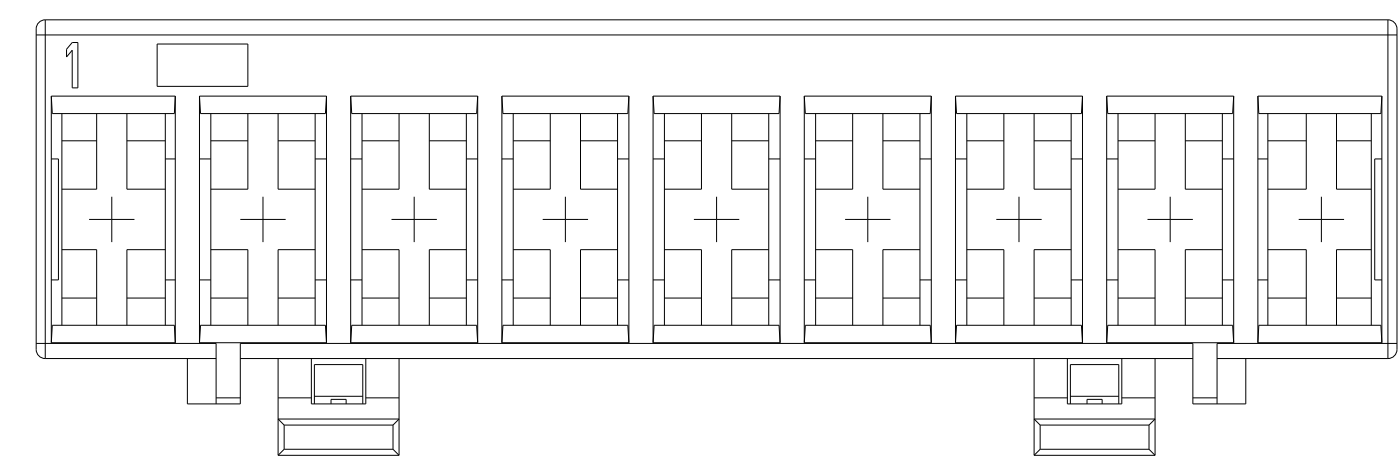
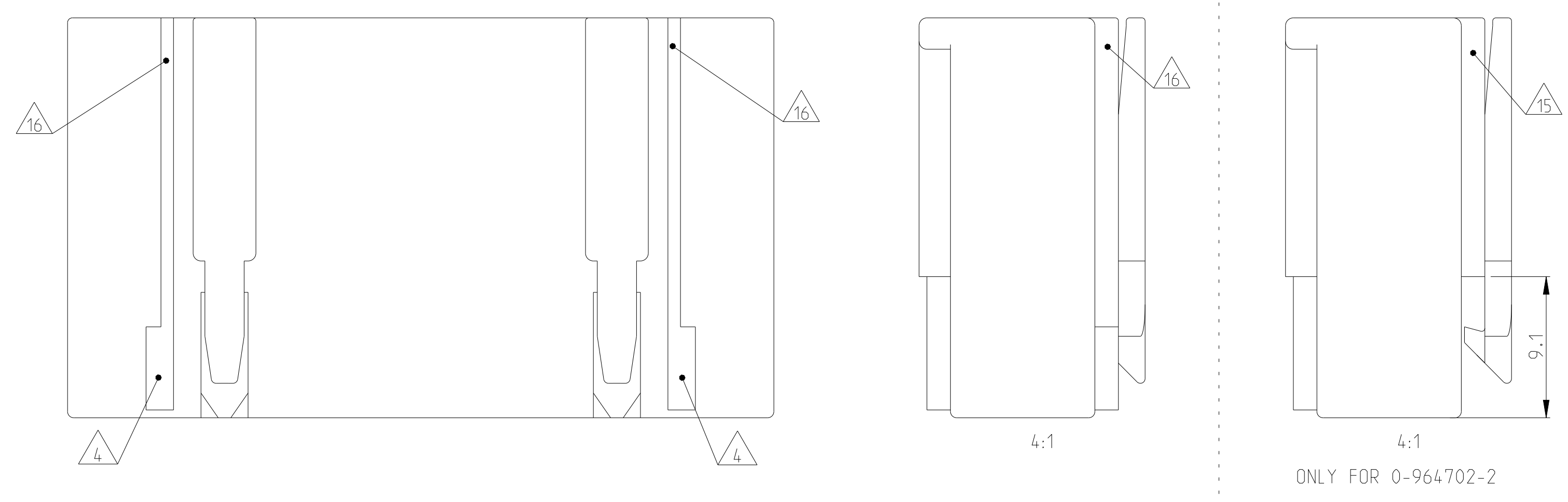
	5-1241965-5	5	05-B	25	20	NATURAL	UL94-V0 & GW EPT 750 no flame △△	E	△△
△△	1-2364737-1	11	11-B	55	50	BLUE		B	△△
	2364737-9	9	-	45	40	BLUE	UL94-V0 & GW EPT 750 no flame △△	C	△△
	2364737-5	5	-	25	20	BLUE		B	△△
	1-2364737-2	2	02-B	10	5	BLUE		B	△△
	2364737-2	2	02-A	10	5	BLUE		B	△△
	2322912-8	8	08-D	40	35	BLUE		B	△△
	2322912-6	6	06-D	30	25	BLUE		B	△△
	2322912-3	3	-	15	10	YELLOW	PA66 UL94 V0 GWT 750	B	△△
	2-2322912-2	2	02-A	10	5	NATURE		B	△△
△	1-2322912-2	2	02-G	10	5	BLUE		B	△△
	2322912-2	2	02-C	10	5	GREY		B	△△
	5-1241965-7	7	07-C	35	30	NATURAL		E	△△
	4-1241965-7	7	-	35	30	NATURAL		E	△△
△	5-1241965-5	5	05-B	25	20	NATURAL		E	△△
	5-1241965-4	4	-	20	15	NATURAL	PA66 UL94 V0 GWT 750 CT1350	E	△△
	4-1241965-4	4	-	20	15	NATURAL		E	△△
△	3-1241965-4	4	-	20	15	NATURAL		E	△△
	2-1241965-4	4	-	20	15	NATURAL		E	△△
	1-1241965-4	4	04-C	20	15	NATURAL		E	△△
	8-1241965-2	2	02-C	10	5	NATURAL		E	△△
	2-1241965-2	2	-	10	5	NATURAL		E	△△
	PART NO.	POS.	RAST 5	DIM A	DIM B	COLOUR	MATERIAL	LOCKING LATCH	MATED WITH
SPECIAL VERSION: UL94 V0 & GWT 750									

2345754-1	2	02-C	10	5	NATURAL	PA66 UL94 V0	E	△△
PART NO.	POS.	RAST 5	DIM A	DIM B	COLOUR	MATERIAL	LOCKING LATCH	MATED WITH
SPECIAL VERSION: UL94 V0								

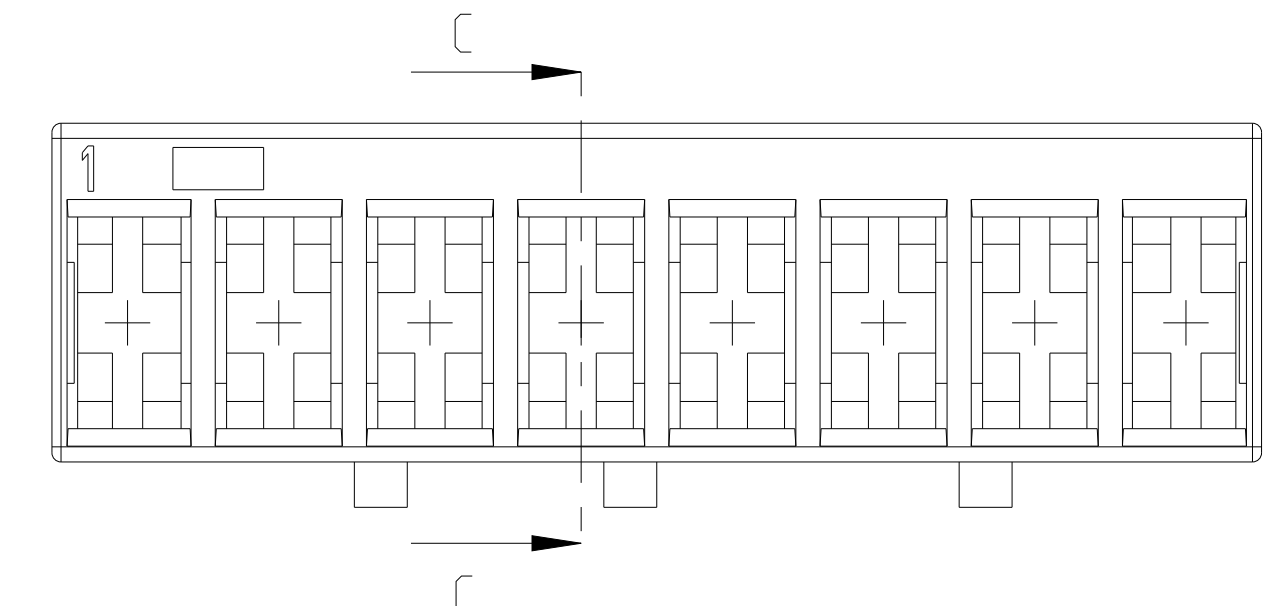
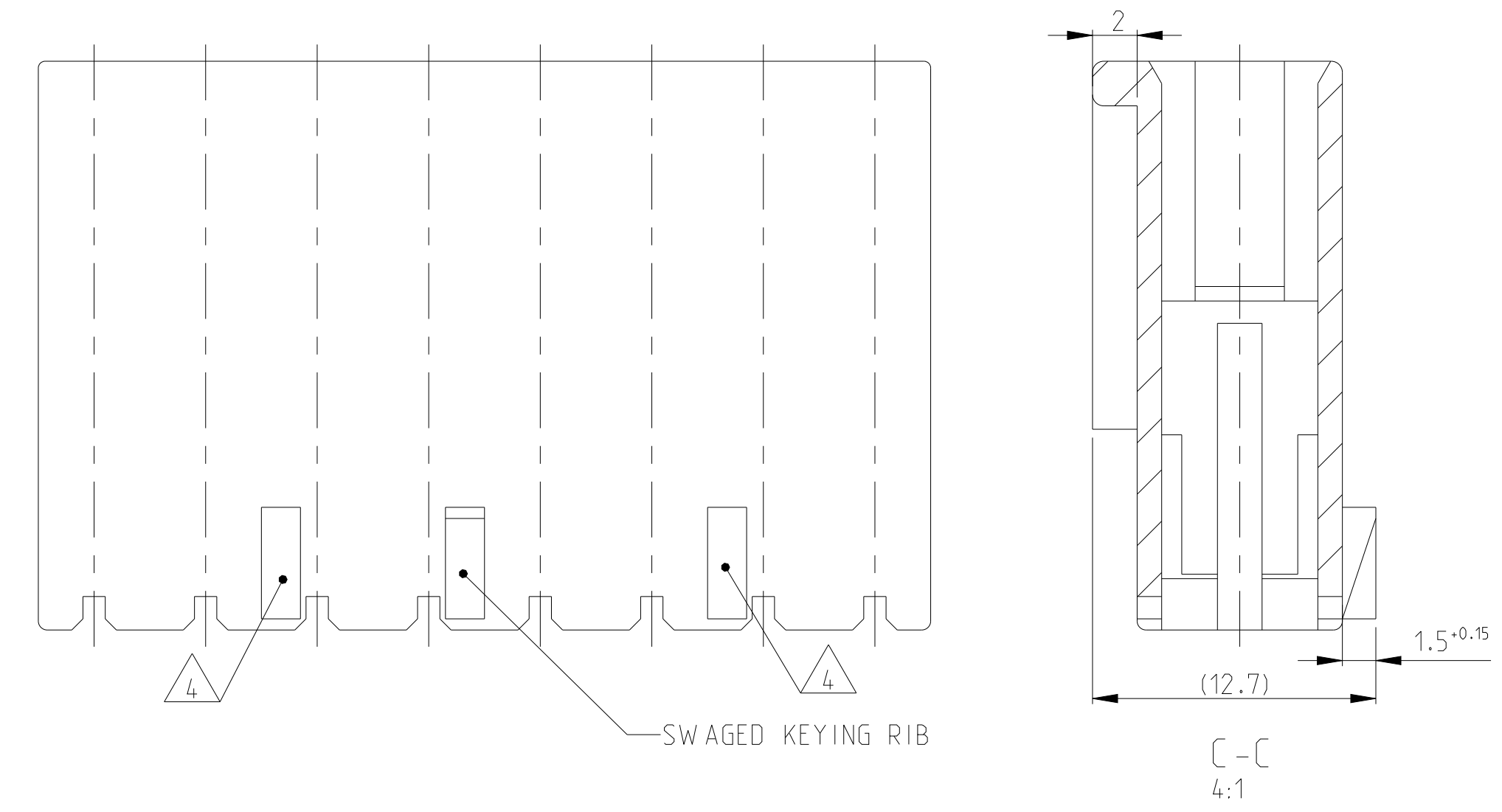
KEYING PLAN SEE SHEET 2 OF 4

THIS DRAWING IS A CONTROLLED DOCUMENT.		OWN Kishor M 18 JUL 2017	 TE Connectivity	
DIMENSIONS: mm		CHK K. Munz 07-NOV-06		
TOLERANCES UNLESS OTHERWISE SPECIFIED:		APVD Th. Klenner 07-NOV-06	NAME	
0 PLC ± 1 PLC 0.1 2 PLC 0.01 3 PLC 0.001 4 PLC 0.0001 ANGLES ° FINISH -		PRODUCT SPEC 108-18049	2-12 POS. STANDARD TIMER HSG WITH EXTERIOR LOCKING	
MATERIAL SEE TABLES		WEIGHT -	SIZE A1	RESTRICTED TO
		Customer Drawing	CAGE CODE 00779	DRAWING NO 4241965
		SCALE 5:1	SHEET 3	OF 4
			REV B54	

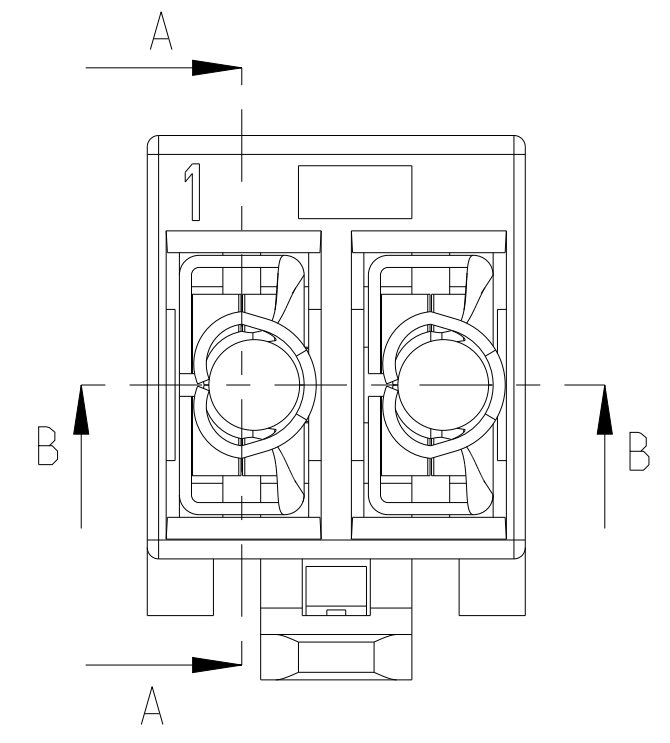
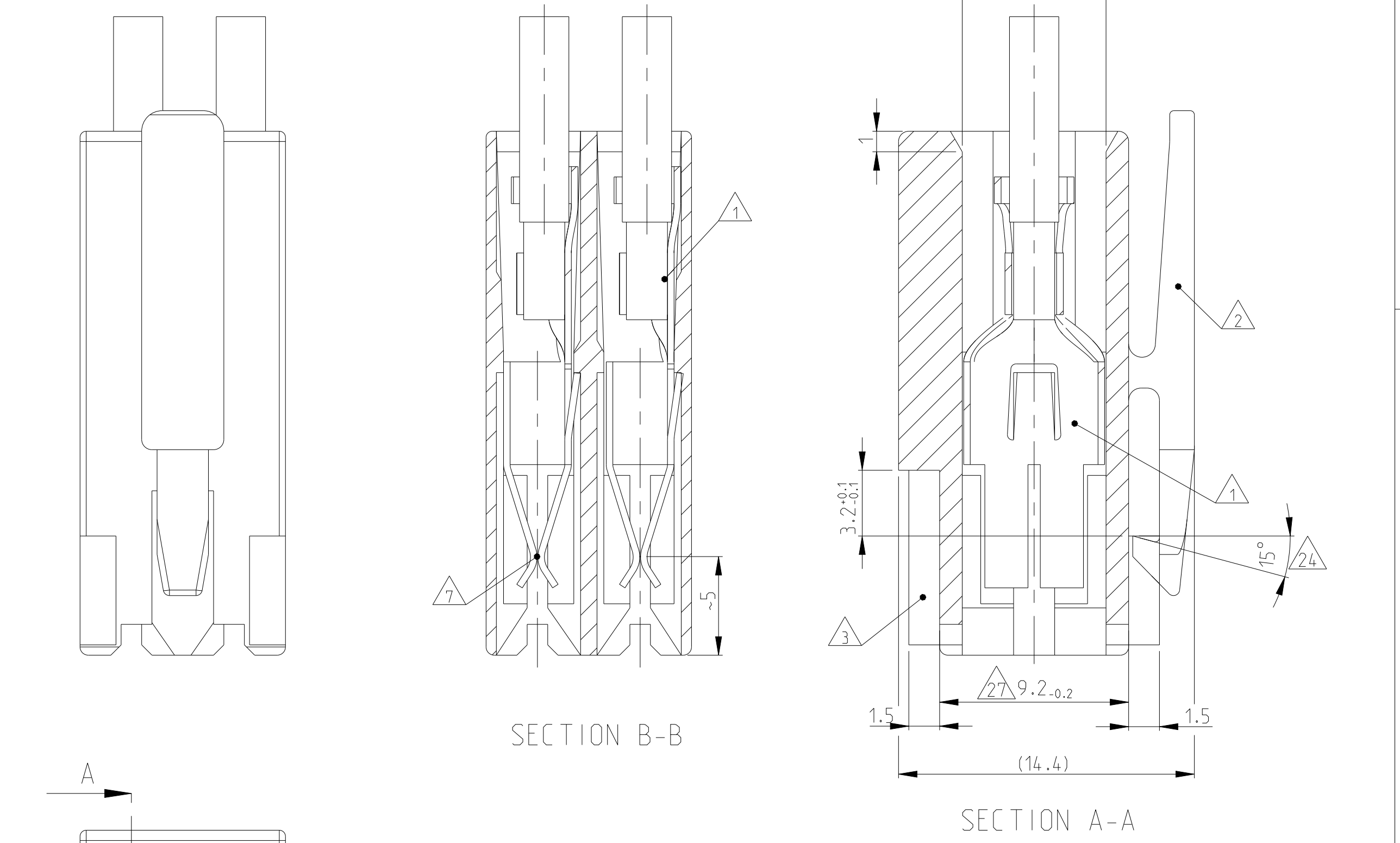
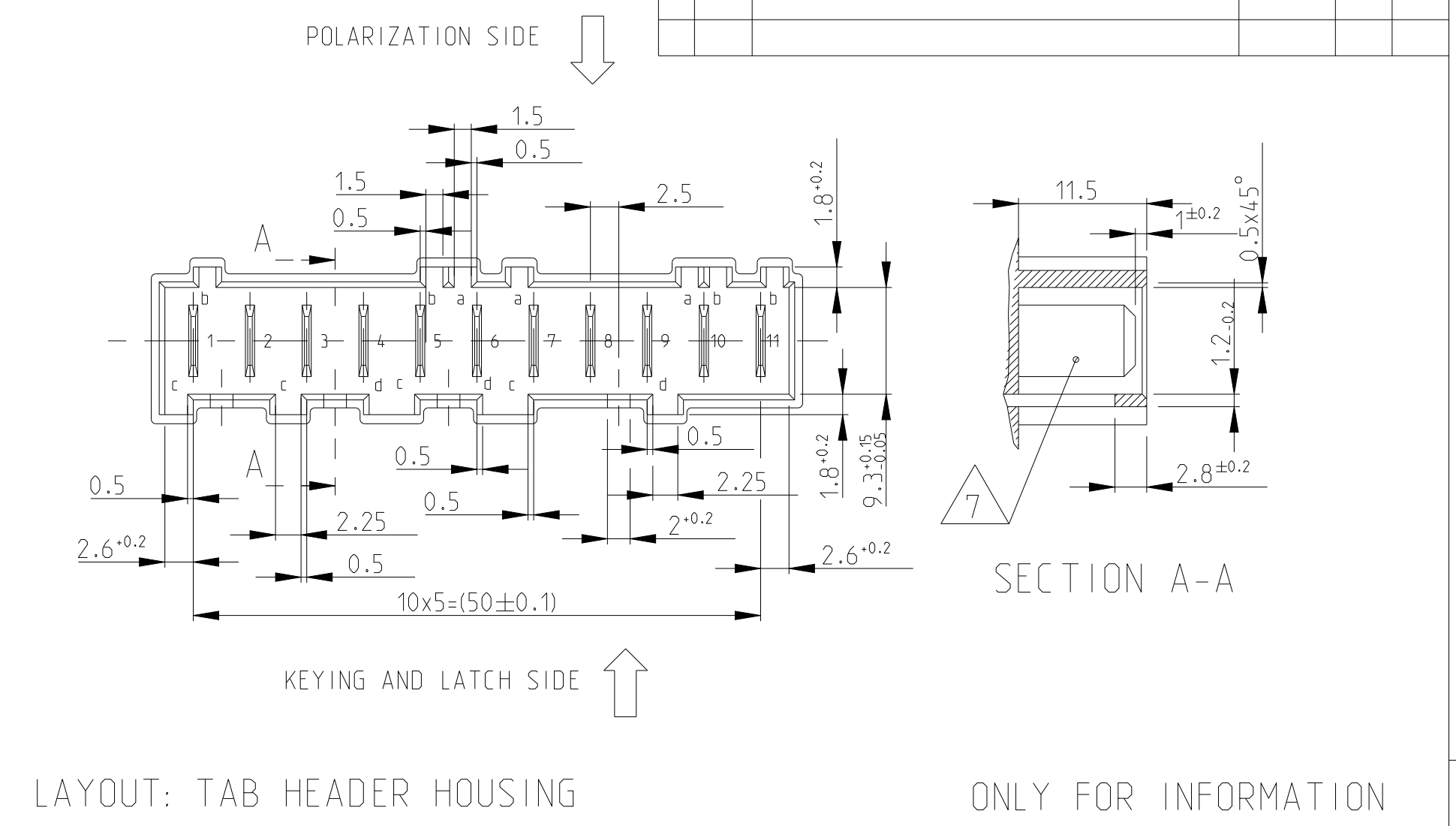
SPECIAL VERSIONS $\triangle 15$ $\triangle 16$
 9 POS STD. TIMER HSG. WITH TANGLING PROTECTION



SPECIAL VERSION $\triangle 18$
 8 POS SPECIAL STD. TIMER HSG.



LOC	DIST	REVISIONS			
P	LTN	DESCRIPTION	DATE	OWN	APVD
-	-	SEE SHEET 1	-	-	-



THIS DRAWING IS A CONTROLLED DOCUMENT.		OWN: Kishor M	18 JUL 2017	TE TE Connectivity
DIMENSIONS: mm		CHK: K. Munz	07-NOV-06	
TOLERANCES UNLESS OTHERWISE SPECIFIED: ±0.2		APVD: Th. Klenner	07-NOV-06	NAME
0-PLC ±0.1		PRODUCT SPEC		2-12 POS. STANDARD TIMER HSG WITH EXTERIOR LOCKING
1-PLC ±0.1		APPLICATION SPEC		108-18049
2-PLC ±0.001		RESTRICTED TO		SIZE: A1
3-PLC ±0.001		MATERIAL: SEE TABLES		CAGE CODE: 00779
4-PLC ±0.0001		WEIGHT: -		DRAWING NO: 1241965
ANGLES FINISH: -		Customer Drawing		SCALE: 5:1
		SHEET 4 OF 4		REV B54

Mouser Electronics

Authorized Distributor

Click to View Pricing, Inventory, Delivery & Lifecycle Information:

[TE Connectivity:](#)

[928247-7](#)