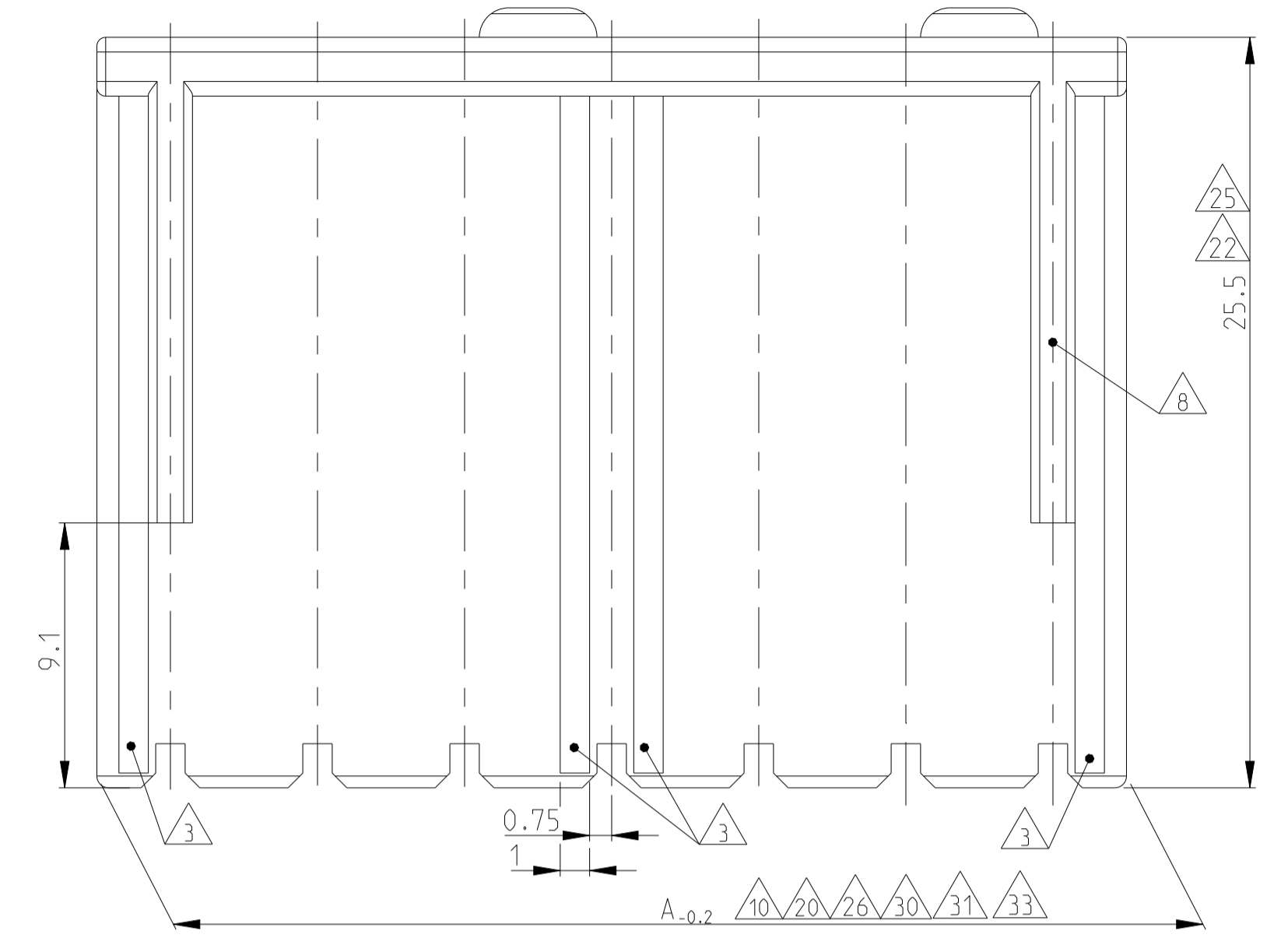
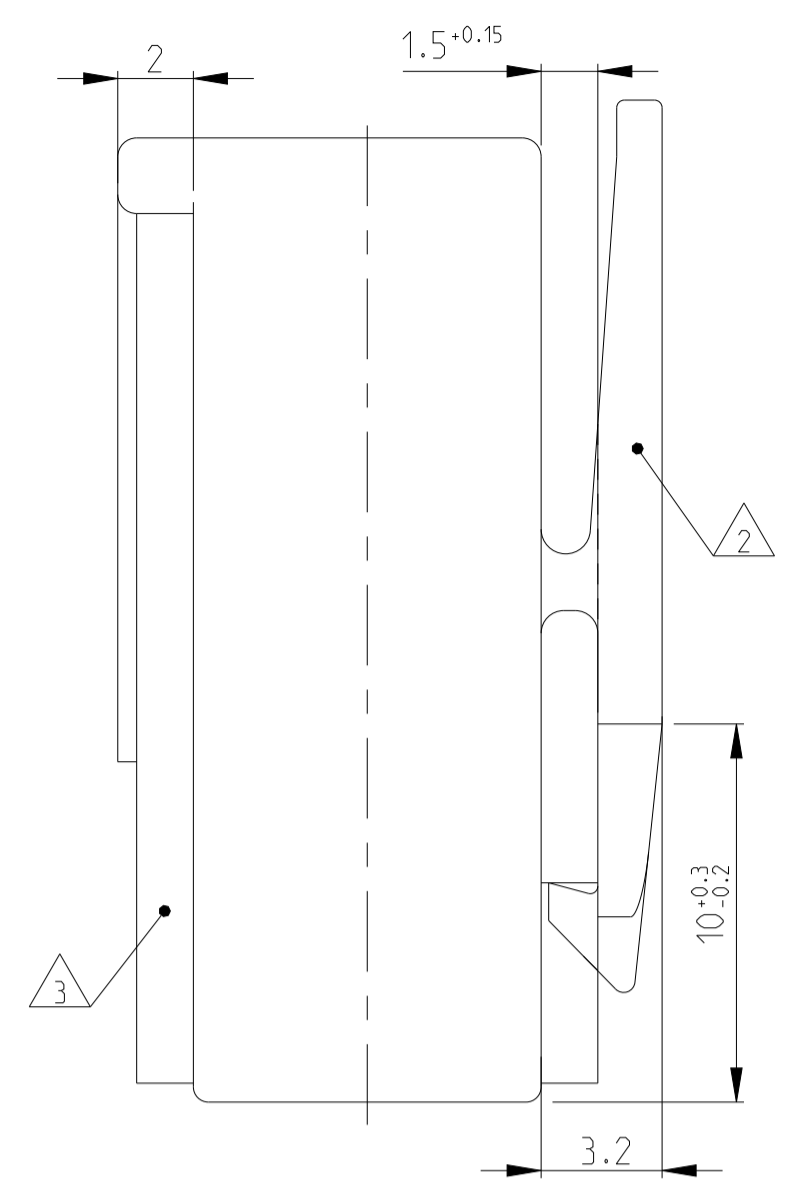
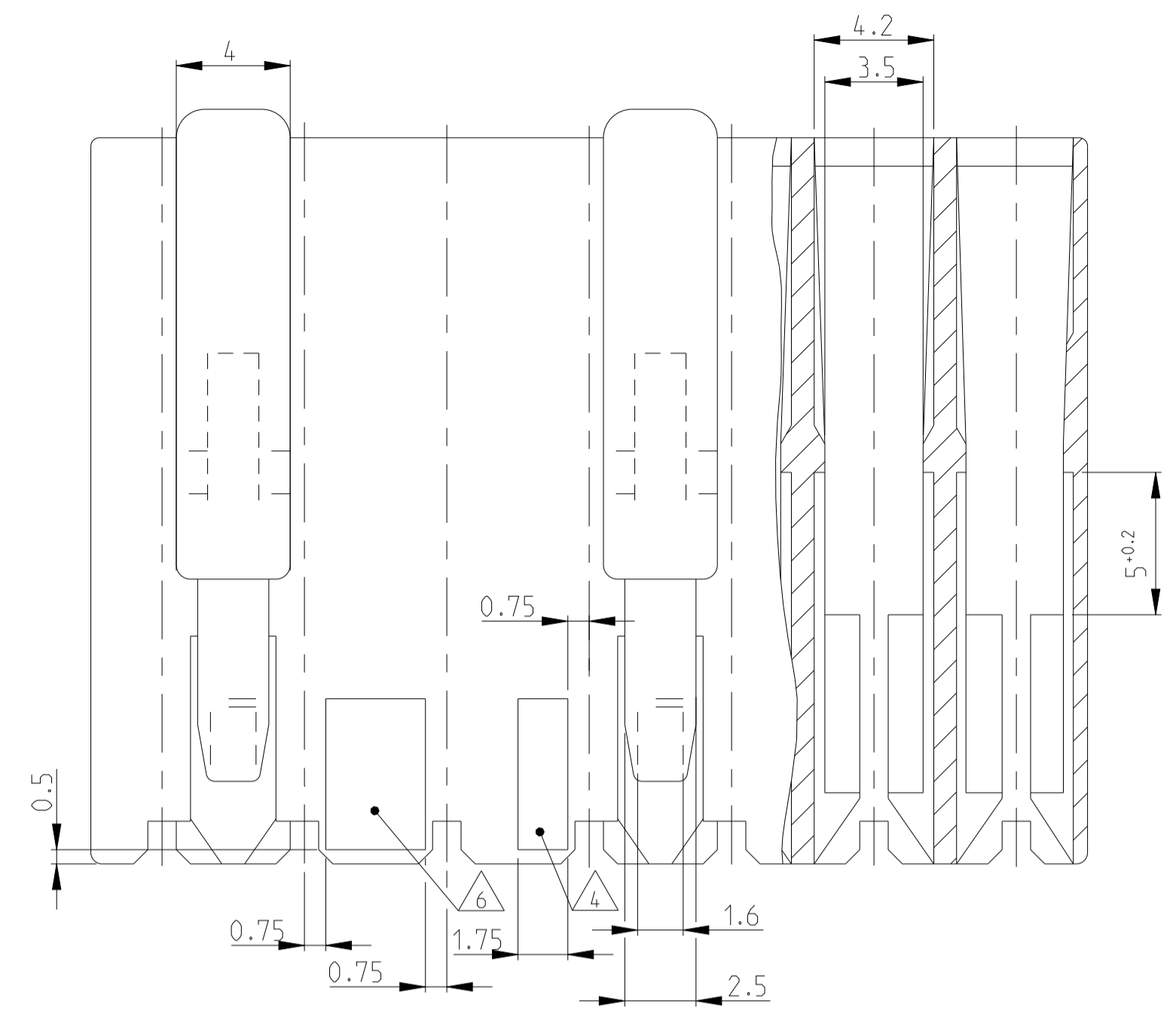
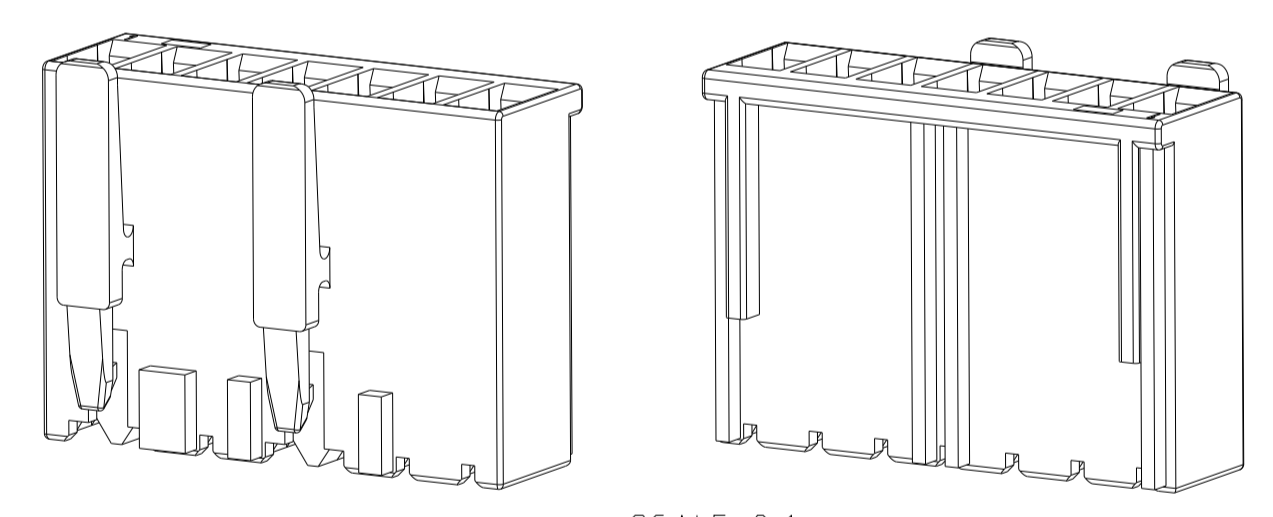
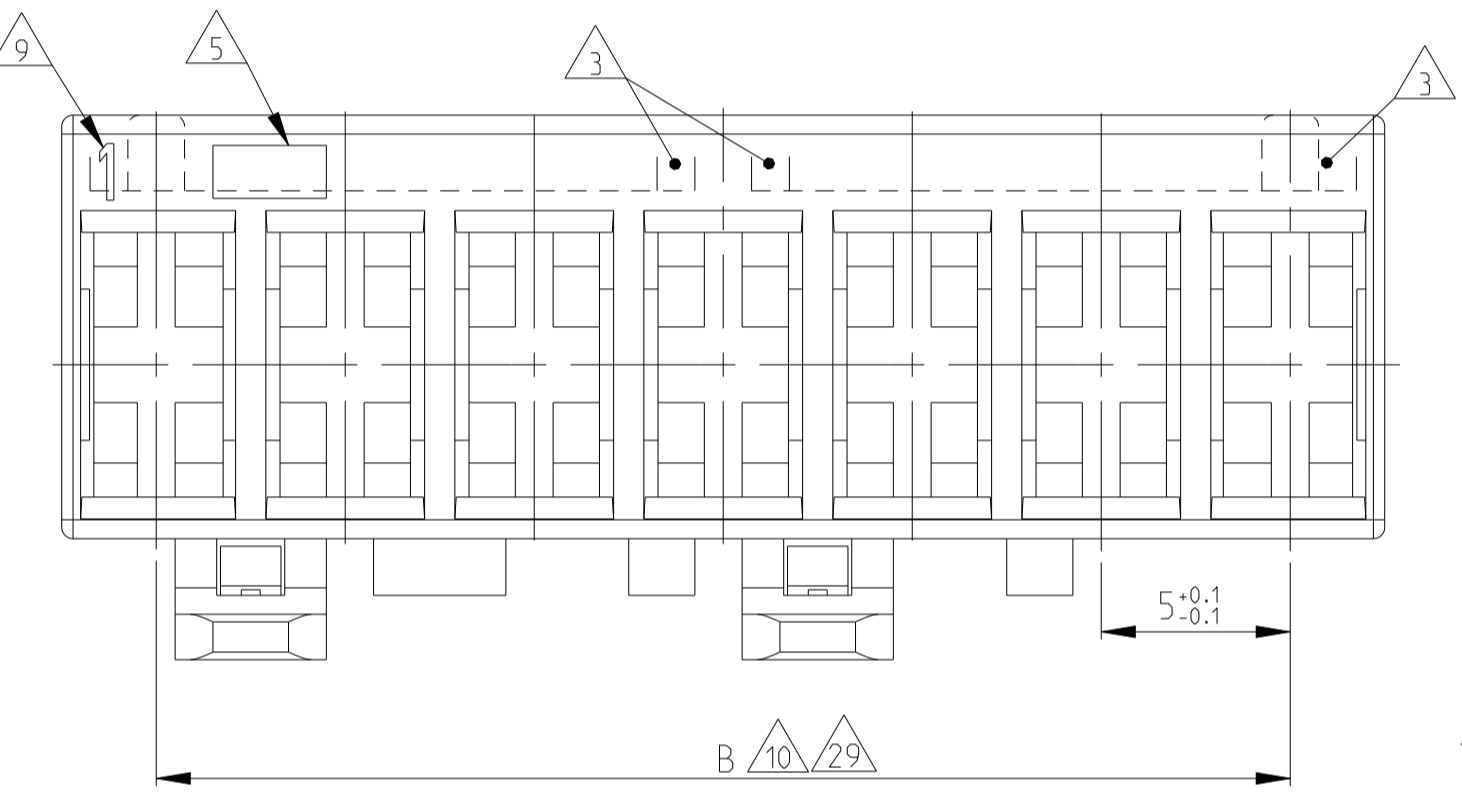
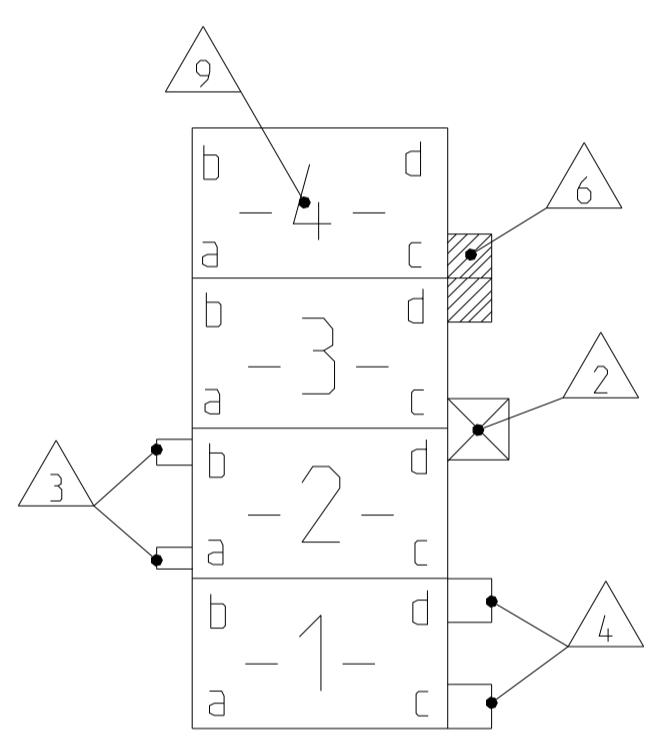
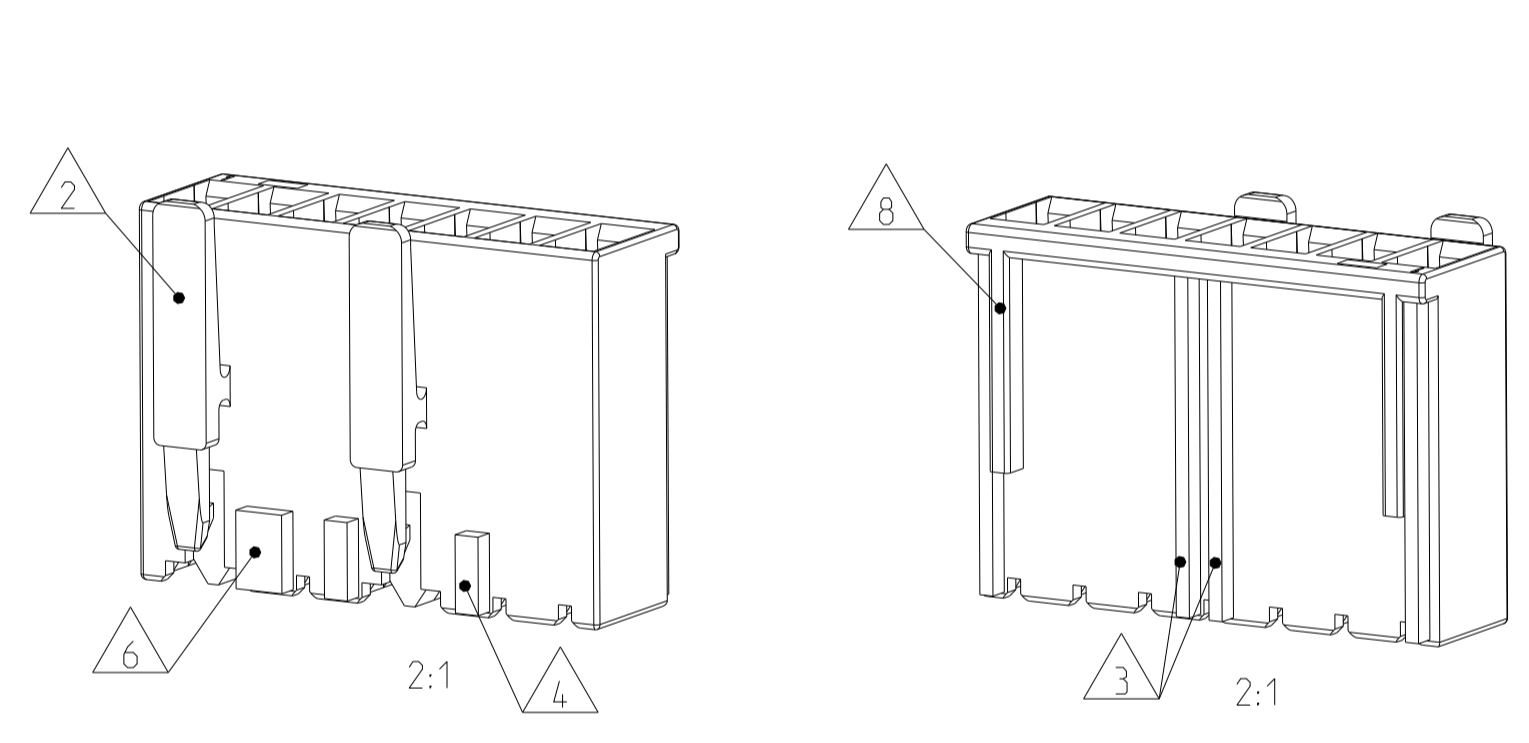


REVISONS		DATE	DMN	APVD
NO.	DESCRIPTION			
B51	ECR-21-100139	12JAN2021	KD	FL
B52	ECR-21-101078	25MAR2021	PJ	FL
B53	ECR-21-101710	15APR2021	PJ	FL
B54	ECR-21-103933	14JUN2021	PJ	FL



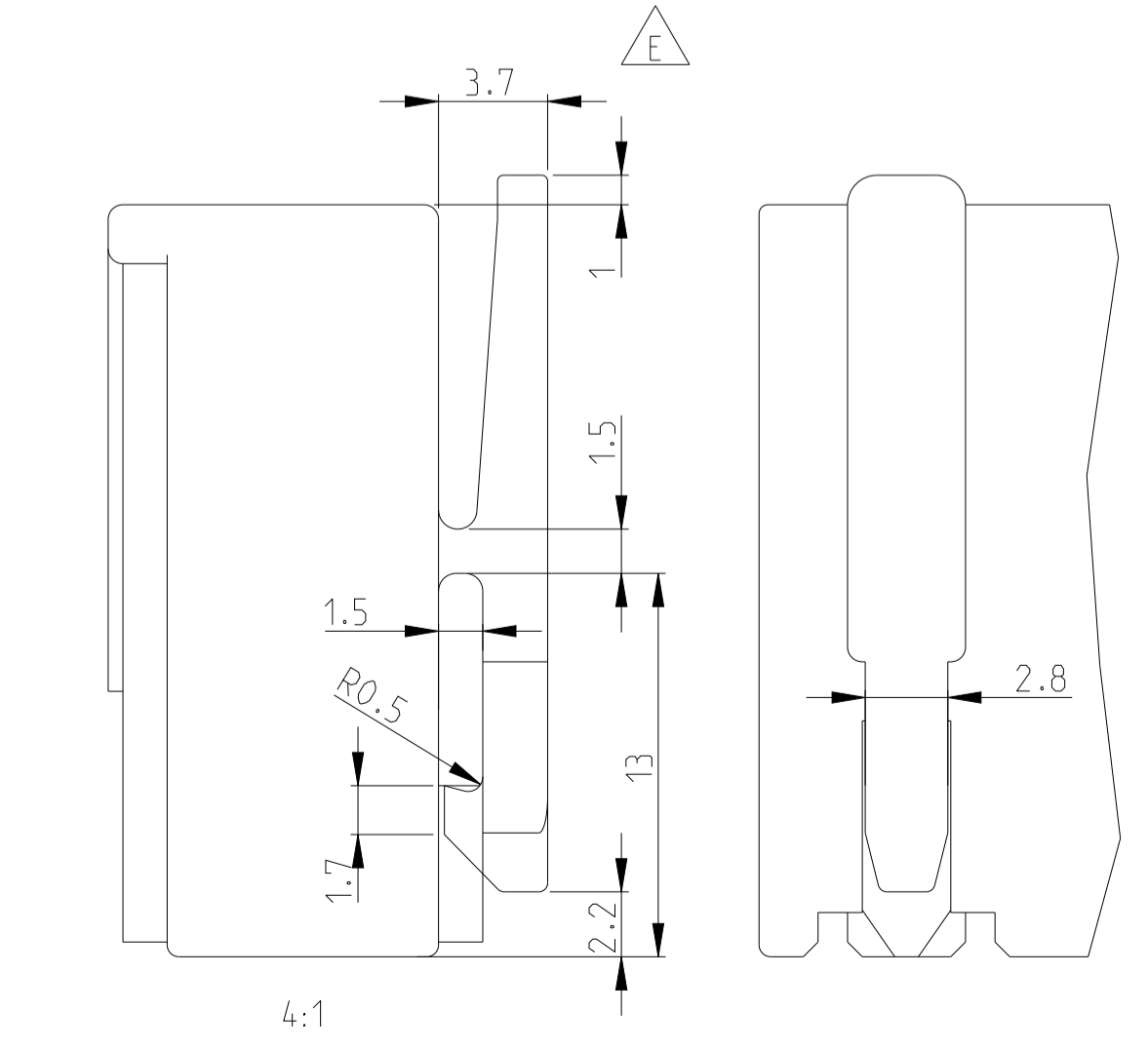
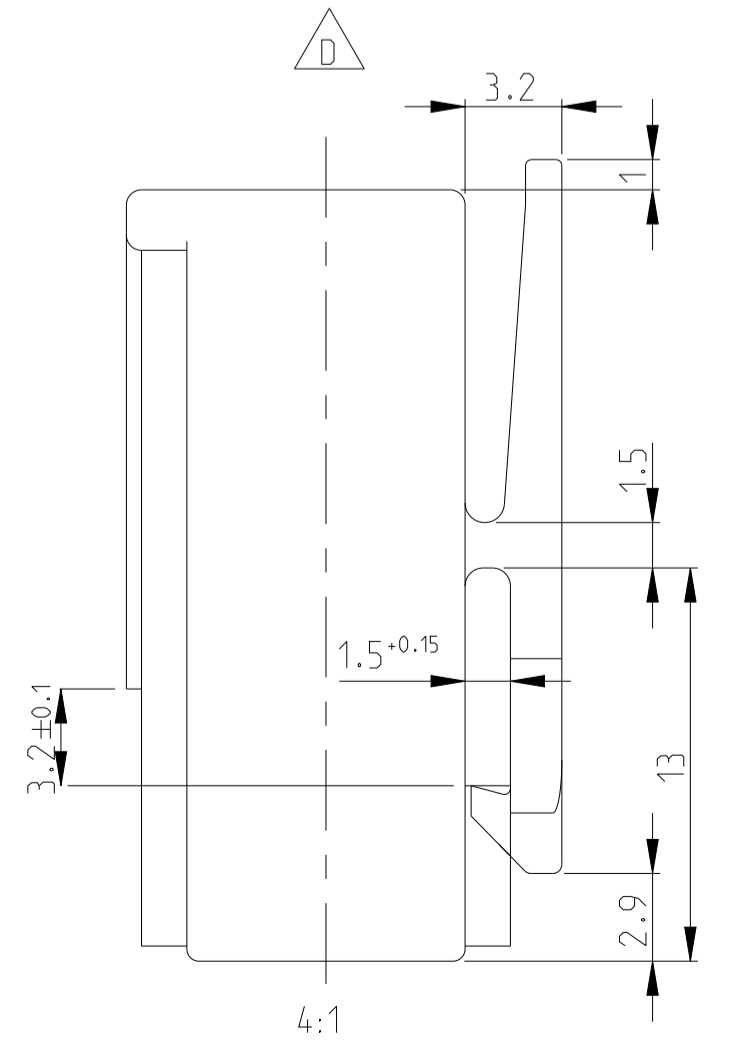
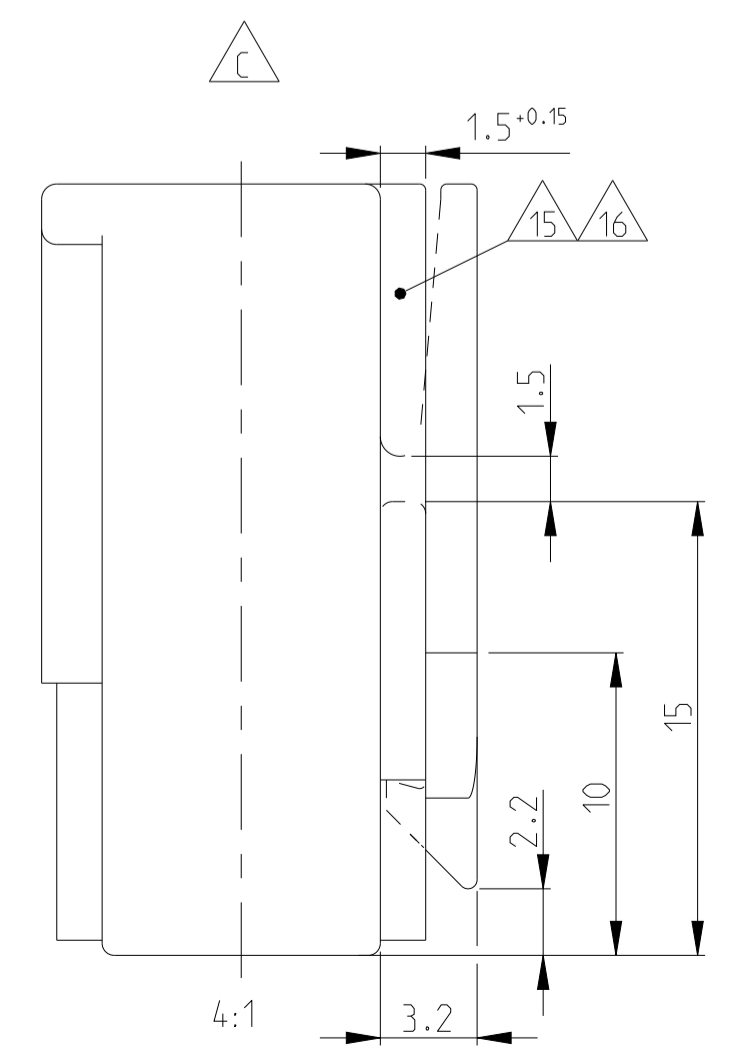
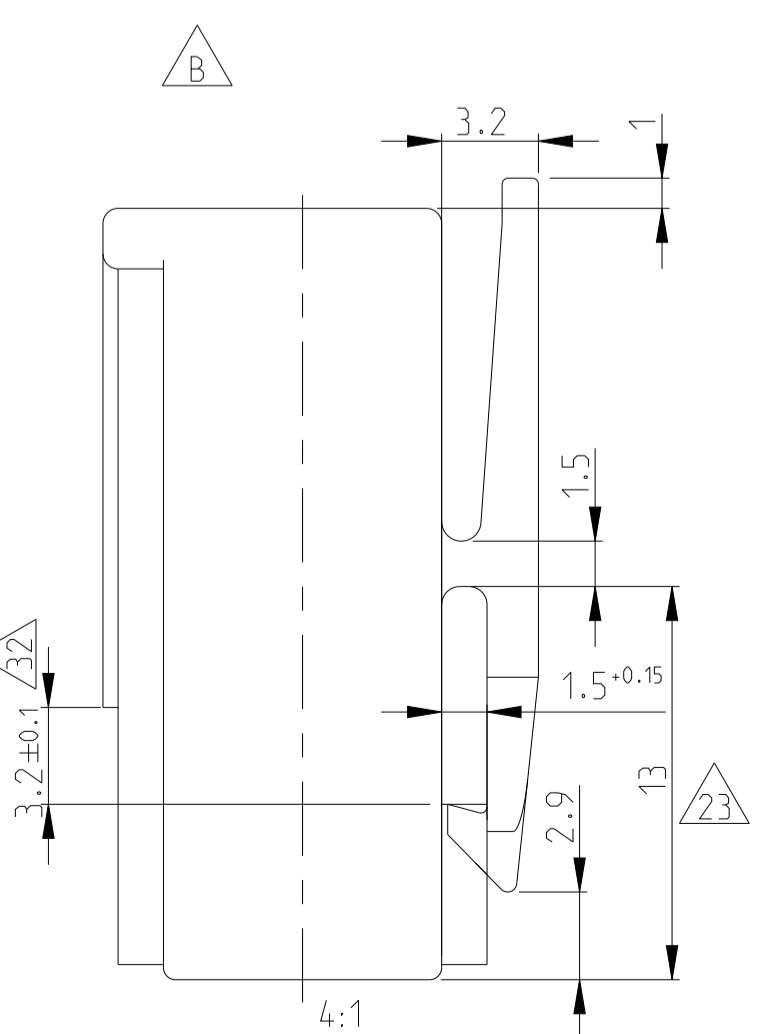
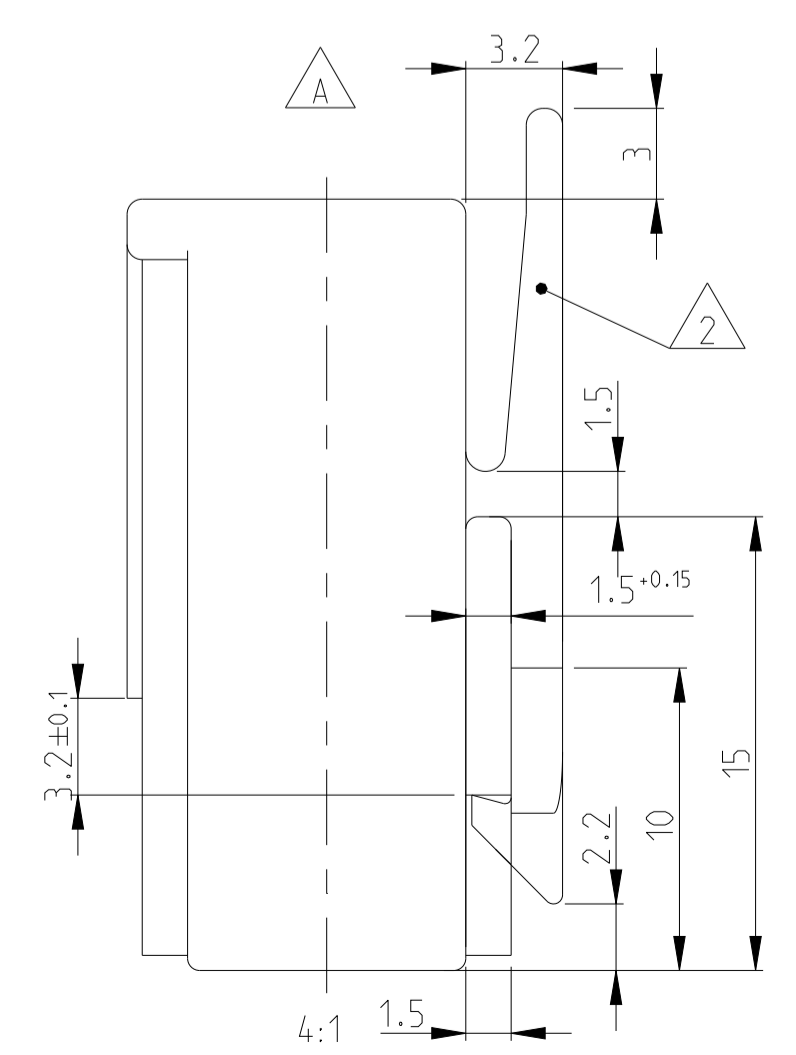
DESCRIPTION
 POSITION OF THE KEYING RIBS, POLARISATION RIBS AND THE LOCKING LATCH



SCALE 2:1

ALL OTHER DIMENSIONS ARE SAME

PAY ATTENTION!
 DIFFERENT LOCKING LATCHES



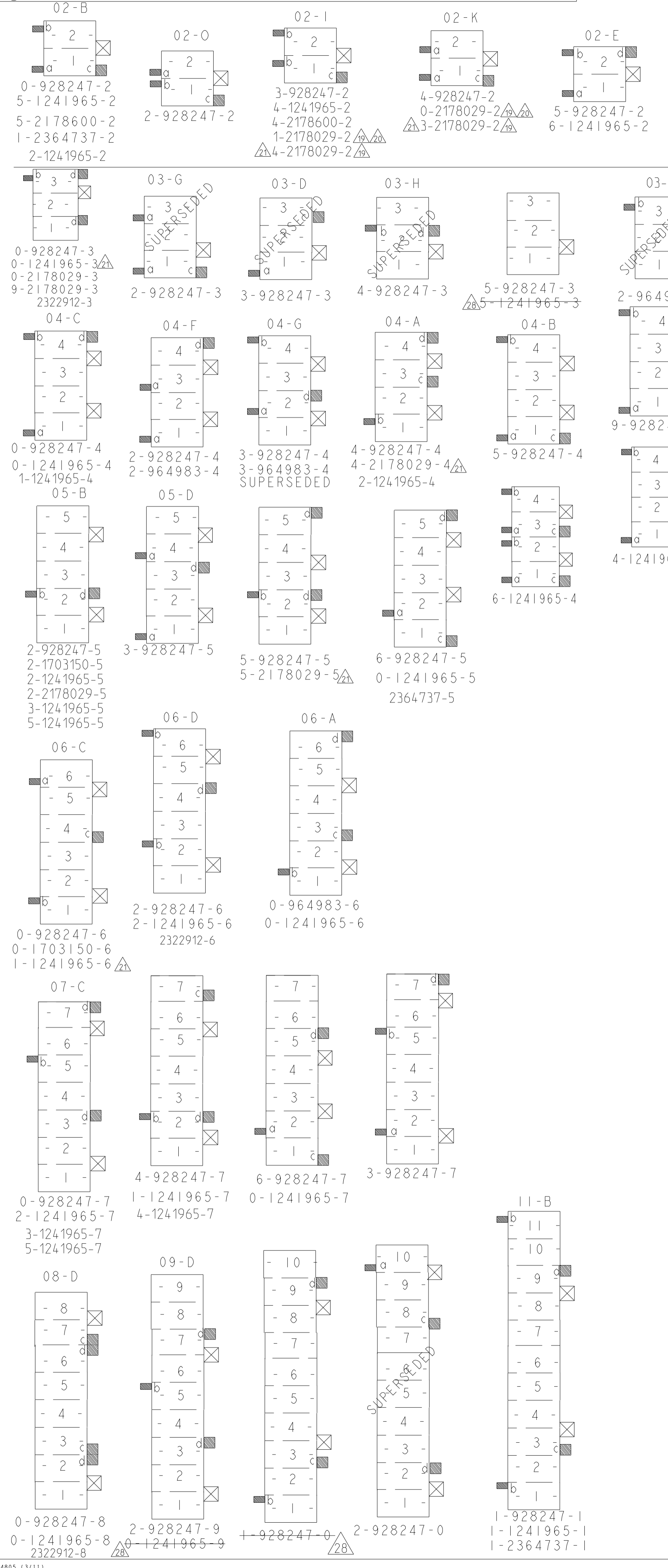
- 1 CAVITY SUITABLE TO STANDARD TIMER CONTACTS LISTED IN PROD: SPEC: 108-18049, ITEM 3.3.2
Kammer geeignet für Standard Timer Kontakte gelistet in Prod. Spec. 108-18049, Punkt 3.3.2
- 2 LOCKING LATCH BETWEEN CAVITY NO. Rasthaken zwischen Kammernummer
- 3 POLARIZATION RIB POSITION "a" OR POSITION "b". AT CAVITY NO..
Polarisierungsrippen (Lage "a") oder (Lage "b") versetzt bei Kammer Nr
- 4 KEYING RIB POSITION "c" OR POSITION "d". AT CAVITY NO..
Kodierungsrippen nach unten (Lage "c") oder oben (Lage "d") versetzt bei Kammernummer
- 5 AREA FOR TE LOGO ACC. TO SPEC 202-36
Bereich für TE Logo nach Spec. 202-36
- 6 WIDTH KEYING RIB BETWEEN CAVITY NO. Breite Kodierrippe zwischen Kammer Nr.
- 7 SUITABLE TO TAB 6.3x0.8mm AND 4.8x0.8mm ACCORDING TO DIN 46244
Geeignet für Flachstecker 6.3x0.8mm und 4.8x0.8mm nach DIN 46244
- 8 MATING STOP BETWEEN CAVITY NO.1 AND 2, ALSO BETWEEN THE LAST AND THE LAST BUT ONE CAVITY
Tiefenanschlag zwischen Kammer Nr.1 und 2, ebenfalls zwischen der letzten und vorletzten Kammer
- 9 CONTACT CAVITY NO. Kammernummer
- 10 DIMENSION A AND DIMENSION B SEE SHEET 2 OF 3
Maß A und Maß B siehe Blatt 2 von 3
- 11 MATED WITH TE CONNECTOR: SEE TABLE, SHEET 2 OF 3
Passender TE Gegenstecker: siehe Tabelle, Seite 2 von 3
- 12 GENERAL SUITABLE TAB HEADER HOUSING SEE RAST 5 PERFORMANCE
Generell passende Flachsteckerwanne, siehe RAST 5 Vorgabe
- 13 CONNECTION TO THE PC BOARD SEE DRAWING 88-9935-4
Leiterplattenanschluß siehe Zeichnung 88-9935-4
- A B SEE TABLE, SHEET 2 OF 3
C D E Siehe Tabelle, Blatt 2 von 3
- 14 MATERIAL CORRESPONDS TO THE REQUIREMENT EN 60335 (INCL. GLOW WIRE TEST 750°C WITHOUT FLAME)
- 15 WIRE TANGLING PROTECTION
- 16 WIRE TANGLING PROTECTION IN COMBINATION WITH CODING RIBS, ONLY VALID FOR VERSIONS 5-964702-3, 0-964702-3, 0-964702-1
- 17 KEYING ACC. TO RAST-5 STANDARD; COLOUR IS DIFFERENT
- 18 8 POS. SPECIAL VERSION WITH SWAGED KEYING RIB
- 19 SPECIAL MATERIAL PA66, UL 94 V0
- 20 DIMENSION "A" IS ACCEPTED WITHIN TOLERANCE +0.05/-0.20.
- 21 PRELIMINARY PART- NOT YET RELEASED FOR PRODUCTION
- 22 ONLY FOR PN 2178600-2, 3-2178600-2, 4-2178600-2, 5-2178600-2, TOLERANCE IS +0.4 -0.2, WORST CASE CAN BE OUT OF RAST STANDARD.
- 23 ONLY FOR PN 2178600-2, 3-2178600-2, 4-2178600-2, 5-2178600-2, TOLERANCE IS +0.4 -0.2
- 24 ONLY FOR PN 2178600-2, 3-2178600-2, 4-2178600-2, 5-2178600-2, TOLERANCE IS ±4°
- 25 ONLY FOR PN 3-1241965-5, 3-1241965-7 TOLERANCE IS +0.3 -0.2
- 26 ONLY FOR PN 3-1241965-5, 3-1241965-7 TOLERANCE IS +0.2 -0.2
- 27 ONLY FOR PN 3-1241965-5, 3-1241965-7 TOLERANCE IS +0.05 -0.2
- 28 OBSOLETE PART
- 29 ONLY FOR 4-1241965-7, 1-2364737-1, TOLERANCE IS -0.3
- 30 ONLY FOR 4-1241965-7, TOLERANCE IS +0.2/-0.25
- 31 ONLY FOR 1-2178029-3, TOLERANCE IS +0.15/-0.2

ADDITIONAL NOTES SEE 3 OF SHEET 4

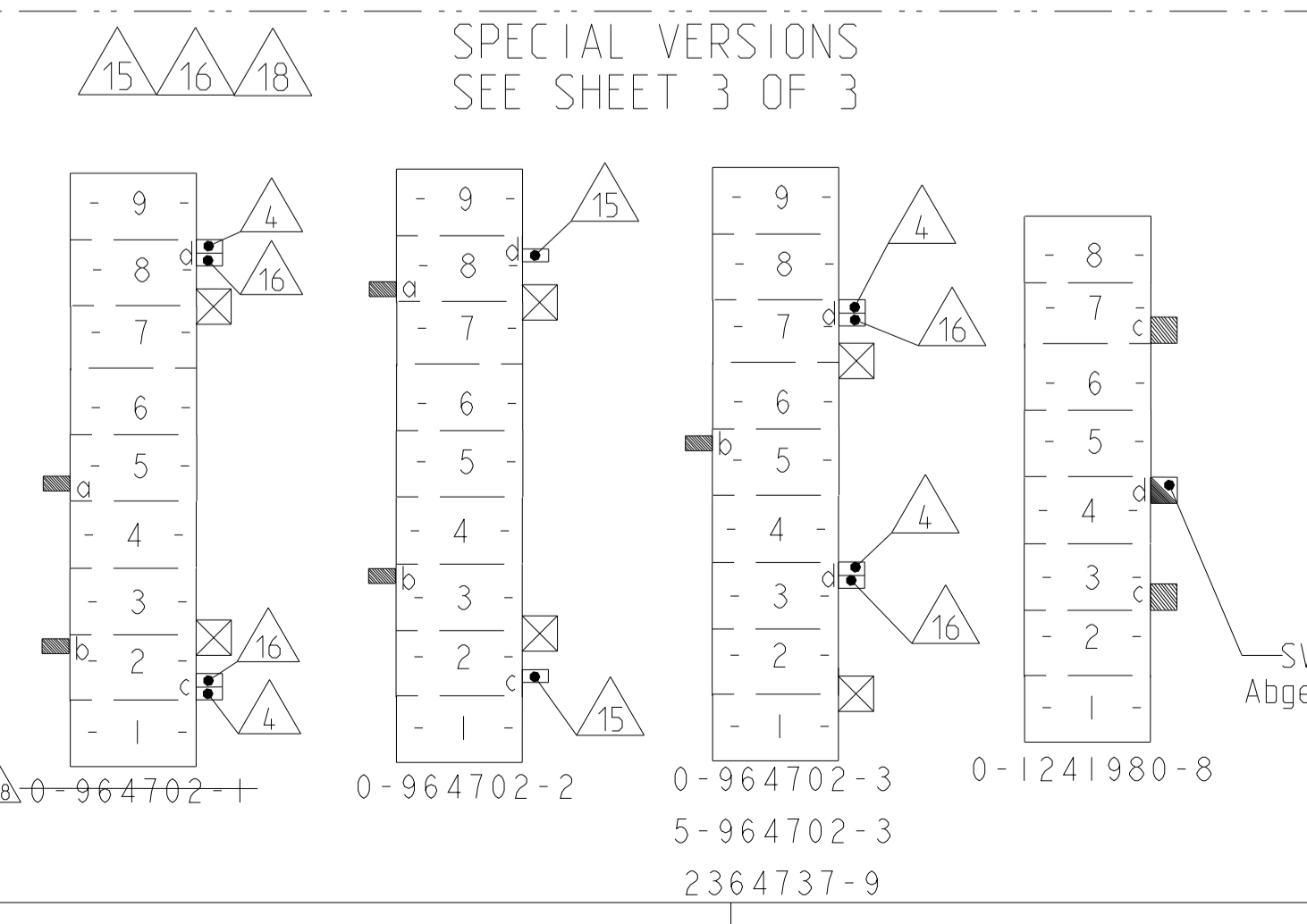
THIS DRAWING IS A CONTROLLED DOCUMENT.		DMN: Kishor M 16JUL2017	TE Connectivity
DIMENSIONS: mm		CHK: K. Münz 07-NOV-06	
TOLERANCES UNLESS OTHERWISE SPECIFIED:		APVD: Th. Klenner 07-NOV-06	NAME: 2-12 POS. STANDARD TIMER HSG WITH EXTERIOR LOCKING SIZE: A1 CAGE CODE: 00779 DRAWING NO: C=1241965 SHEET 1 OF 4 REV B54
0-PLC ±0.2 1-PLC ±0.1 2-PLC ±0.05 3-PLC ±0.001 4-PLC ±0.0001		PRODUCT SPEC: 108-18049-1 APPLICATION SPEC:	
MATERIAL: SEE TABLES		WEIGHT: -	RESTRICTED TO: -
ANGLES FINISH: -		Customer Drawing	SCALE: 5:1

KEYING PLAN

LOC		DIST		REVISIONS			
AL		P	LYN	DESCRIPTION	DATE	OWN	APVD
		-	-	SEE SHEET 1	-	-	-



PART NO.	POS.	RAST 5	DIM A	DIM B	COLOUR	MATERIAL	LOCKING LATCH	MATED WITH
Bestell-Nr.	Pol.	Rast 5	Maß A	Maß B	Farbe		Rasthaken	Gegenstecker
3-1241965-7	7	07-C	35	30	NATURAL	PA6 GF15 UL94V-2	D	
3-1241965-5	5	05-B	25	20	NATURAL		D	
8-2178600-2	2	02-C	10	5	NATURAL	PA6 GF15 UL94V-2	B	
5-2178600-2	2	02-B	10	5	BLACK		B	
4-2178600-2	2	02-I	10	5	RED		B	
3-2178600-2	2	02-G	10	5	BLUE		B	
0-2178600-2	2	02-A	10	5	NATURAL		B	
2-1241965-7	7	07-C	35	30	NATURAL	UL94V-2	B	
1-1241965-6	6	06-C	30	25	NATURAL		B	
0-1241965-6	6	06-A	30	25	NATURAL		B	
5-1241965-3	3		15	10	NATURAL		A	
0-1241965-3	3		15	10	NATURAL		B	
6-1241965-2	2	02-E	10	5	NATURAL		B	
5-2178029-5	5		25	20	GREEN		B	
2-2178029-5	5		25	20	BLACK		B	
4-2178029-4	4		20	15	NATURAL		B	
9-2178029-3	3		15	10	YELLOW		B	
1-2178029-3	3		15	10	NATURAL		B	
0-2178029-3	3		15	10	NATURAL	PA66 UL94V-0	B	
5-2178029-2	2	02-B	10	5	NATURAL		B	
4-2178029-2	2	02-I	10	5	NATURAL		B	
3-2178029-2	2	02-K	10	5	NATURAL		B	
2-2178029-2	2	02-B	10	5	BLACK		B	
1-2178029-2	2	02-I	10	5	RED		B	
0-2178029-2	2	02-K	10	5	GREEN		B	



SWAGED KEYING RIB
Abgeschrägte Kodierrippe

COLOUR	SUPERSEDED BY PN:	PART NO.	POS.	RAST 5	DIM A	DIM B	COLOUR	MATERIAL	LOCKING LATCH	MATED WITH
Farbe		Bestell-Nr.	Pol.	Rast 5	Maß A	Maß B	Farbe		Rasthaken	Gegenstecker


LOC	DIST	REVISIONS					
		P	LTN	DESCRIPTION	DATE	DWN	APVD
A1	-			SEE SHEET 1			

- △32 ONLY FOR 2322912-3. TOLERANCE IS +0.1/-0.15
- △33 ONLY FOR 2322912-6. 1-2364737-1. TOLERANCE IS -0.30
- △34 CANDIDATE PRELIMINARY P/N. NOT YET OFFICIAL. ONLY FOR DISCUSSION. NOT YET RELEASED FOR PRODUCTION.
- △35 DOUBLE SOURCE RESIN: ALTERNATIVE RESIN UNDER APPROVAL.

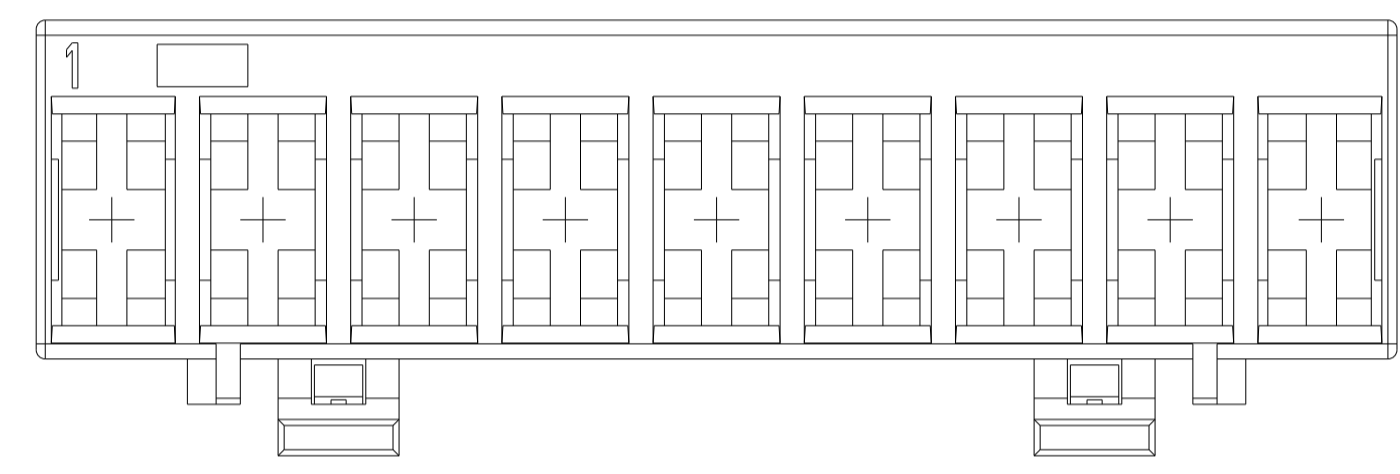
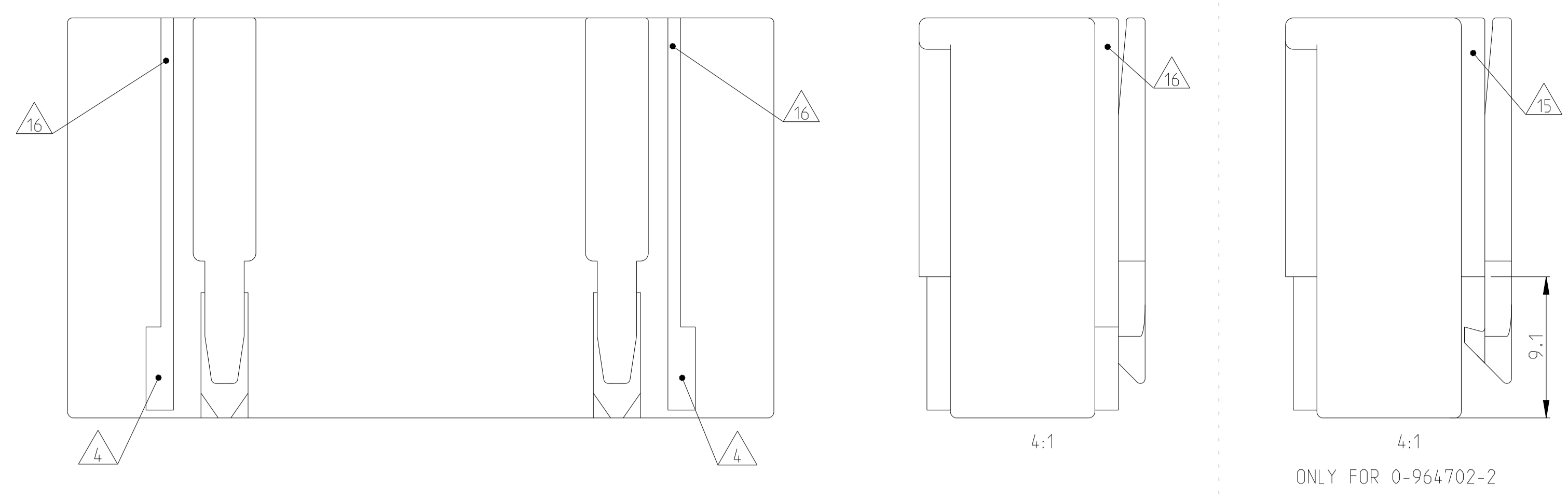
	5-1241965-5	5	05-B	25	20	NATURAL	UL94-V0 & GW EPT 750 no flame △△	E	△△
△△	1-2364737-1	11	11-B	55	50	BLUE		B	△△
	2364737-9	9	-	45	40	BLUE	UL94-V0 & GW EPT 750 no flame △△	C	△△
	2364737-5	5	-	25	20	BLUE		B	△△
	1-2364737-2	2	02-B	10	5	BLUE		B	△△
	2364737-2	2	02-A	10	5	BLUE		B	△△
	2322912-8	8	08-D	40	35	BLUE		B	△△
	2322912-6	6	06-D	30	25	BLUE		B	△△
	2322912-3	3	-	15	10	YELLOW	PA66 UL94 V0 GW T 750	B	△△
	2-2322912-2	2	02-A	10	5	NATURE		B	△△
△	1-2322912-2	2	02-G	10	5	BLUE		B	△△
	2322912-2	2	02-C	10	5	GREY		B	△△
	5-1241965-7	7	07-C	35	30	NATURAL		E	△△
	4-1241965-7	7	-	35	30	NATURAL		E	△△
△	5-1241965-5	5	05-B	25	20	NATURAL		E	△△
	5-1241965-4	4	-	20	15	NATURAL	PA66 UL94 V0 GW T 750 CT1350	E	△△
	4-1241965-4	4	-	20	15	NATURAL		E	△△
△	3-1241965-4	4	-	20	15	NATURAL		E	△△
	2-1241965-4	4	-	20	15	NATURAL		E	△△
	1-1241965-4	4	04-C	20	15	NATURAL		E	△△
	8-1241965-2	2	02-C	10	5	NATURAL		E	△△
	2-1241965-2	2	-	10	5	NATURAL		E	△△
	PART NO.	POS.	RAST 5	DIM A	DIM B	COLOUR	MATERIAL	LOCKING LATCH	MATED WITH
SPECIAL VERSION: UL94 V0 & GW T 750									

2345754-1	2	02-C	10	5	NATURAL	PA66 UL94 V0	E	△△
PART NO.	POS.	RAST 5	DIM A	DIM B	COLOUR	MATERIAL	LOCKING LATCH	MATED WITH
SPECIAL VERSION: UL94 V0								

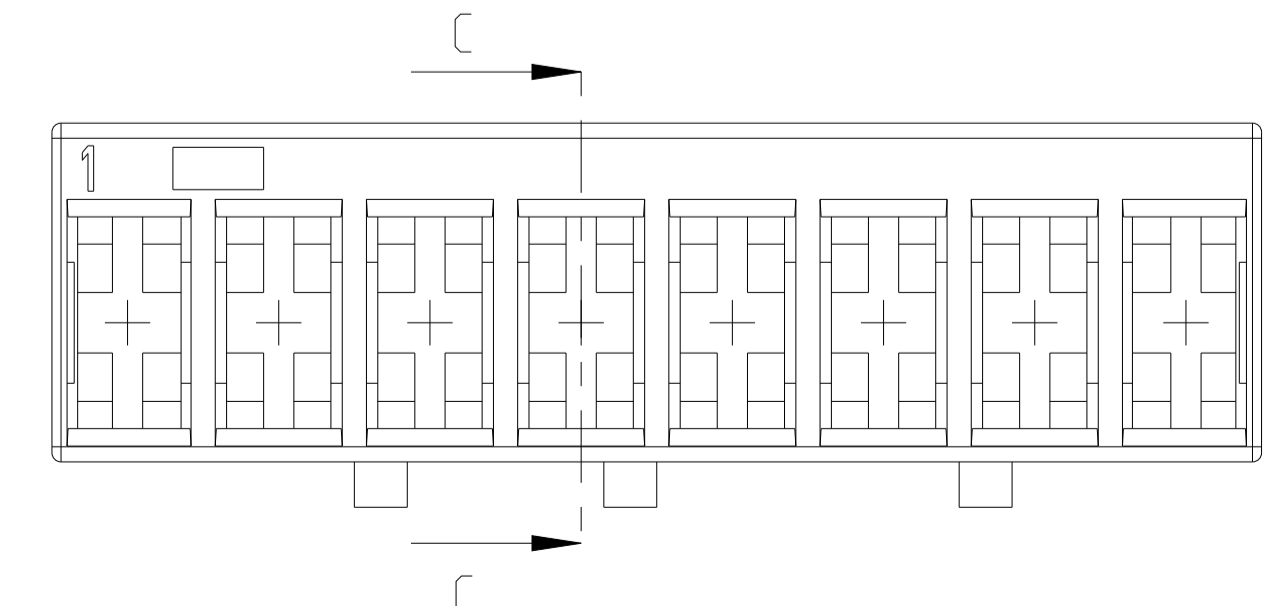
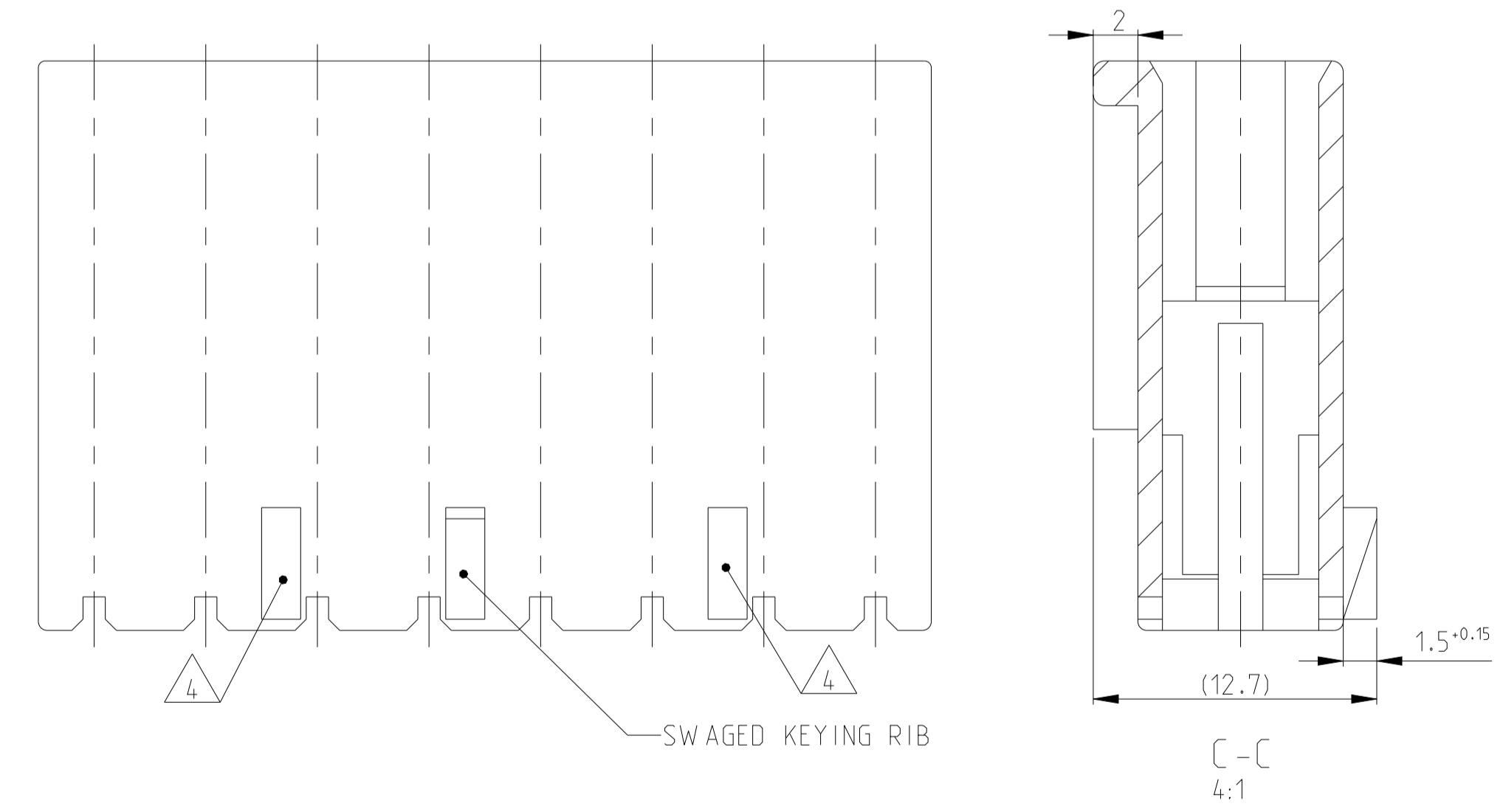
KEYING PLAN SEE SHEET 2 OF 4

THIS DRAWING IS A CONTROLLED DOCUMENT.		OWN Kishor M	18 JUL 2017	 TE Connectivity	
DIMENSIONS: mm		CHK K. Munz	07-NOV-06		
TOLERANCES UNLESS OTHERWISE SPECIFIED:		APVD Th. Klenner	07-NOV-06	NAME	
0 PLC ± 1 PLC 0.1 2 PLC 0.01 3 PLC 0.001 4 PLC 0.0001 ANGLES ° FINISH -		PRODUCT SPEC 108-18049 APPLICATION SPEC		2-12 POS. STANDARD TIMER HSG WITH EXTERIOR LOCKING	
MATERIAL SEE TABLES		WEIGHT		SIZE A1	RESTRICTED TO
		Customer Drawing		CAGE CODE 00779	DRAWING NO 4241965
		SCALE 5:1		SHEET 3	OF 4
				REV B54	

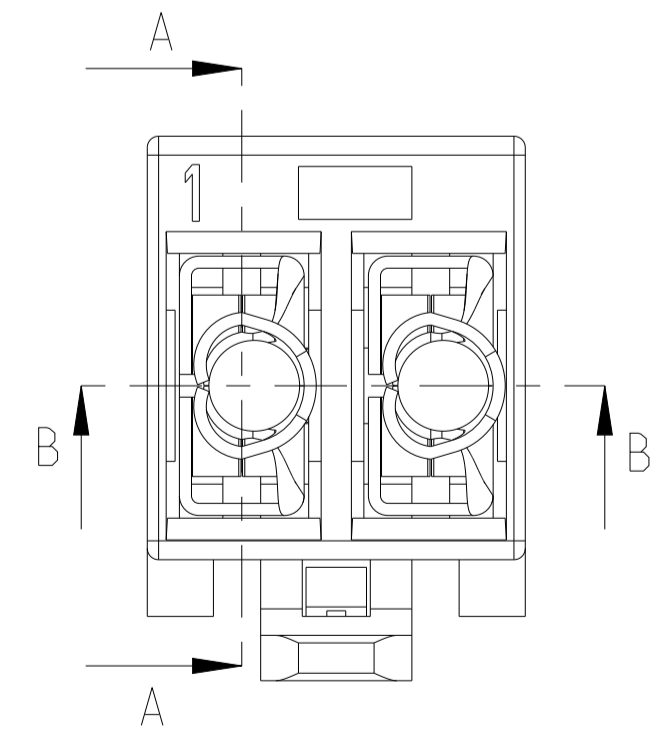
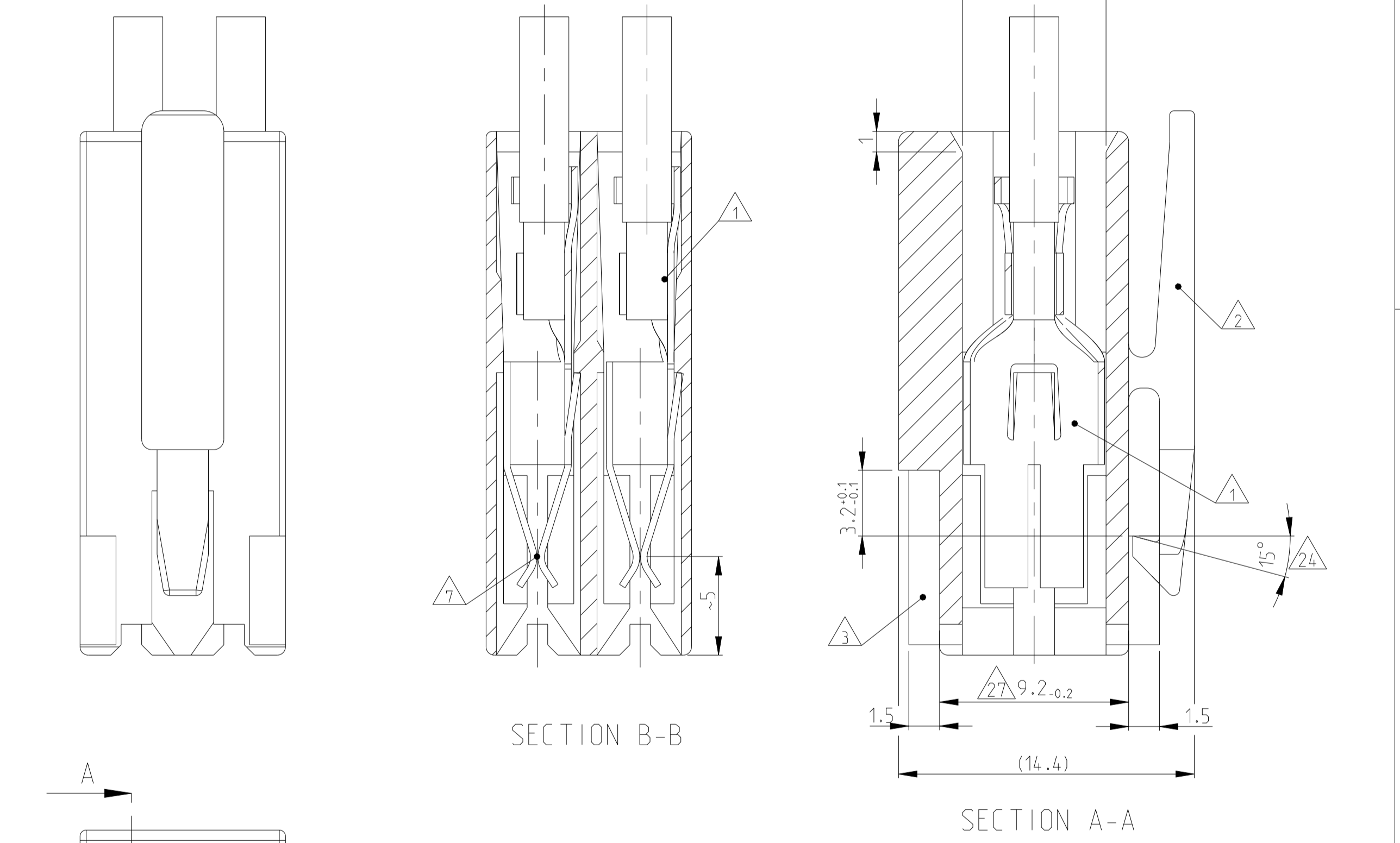
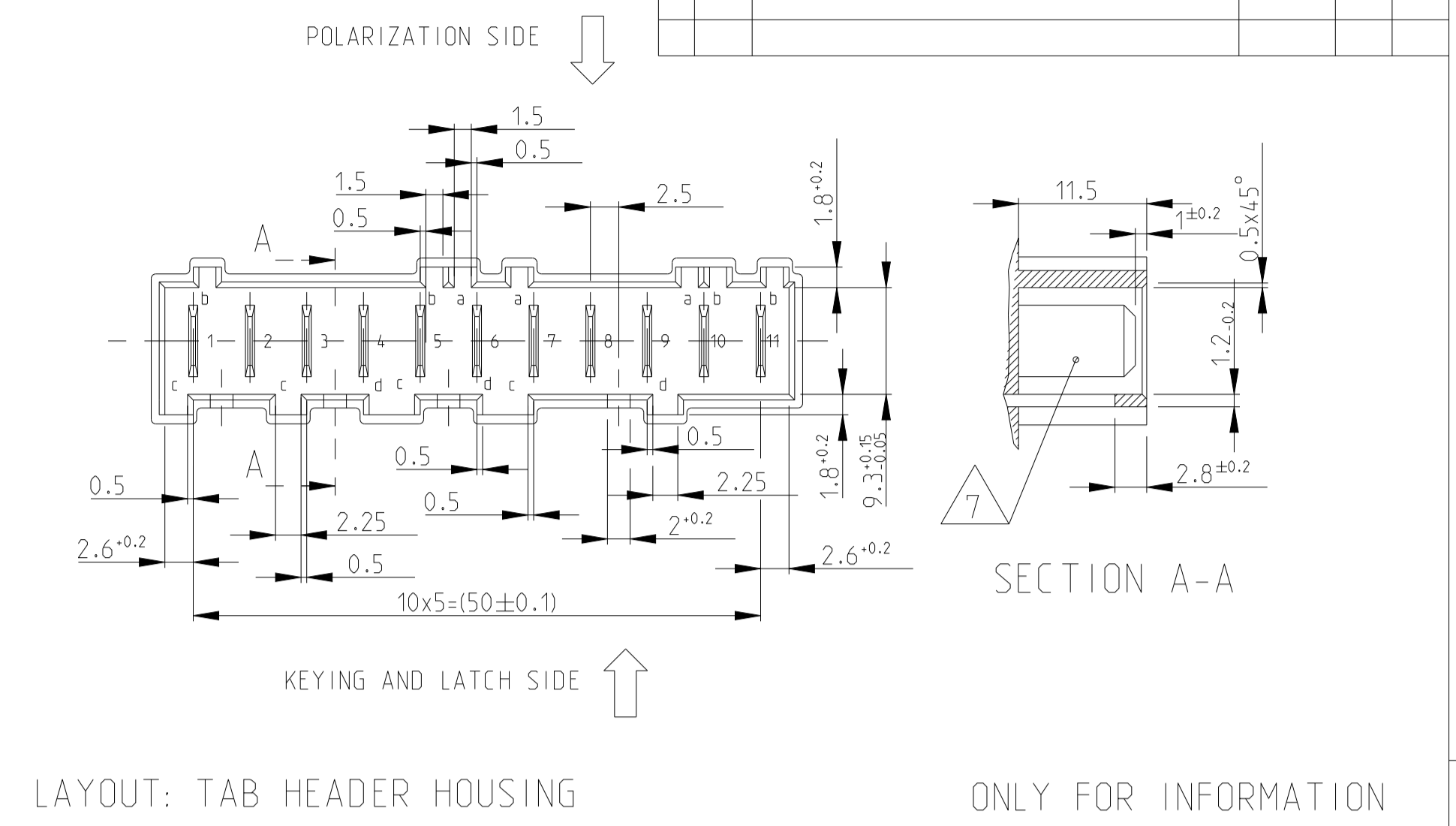
SPECIAL VERSIONS $\triangle 15$ $\triangle 16$
 9 POS STD. TIMER HSG. WITH TANGLING PROTECTION



SPECIAL VERSION $\triangle 18$
 8 POS SPECIAL STD. TIMER HSG.



LOC	DIST	REVISIONS			
P	LTN	DESCRIPTION	DATE	DMN	APVD
-	-	SEE SHEET 1	-	-	-



THIS DRAWING IS A CONTROLLED DOCUMENT.		OWN: Kishor M	18 JUL 2017		TE Connectivity NAME: 2-12 POS. STANDARD TIMER HSG WITH EXTERIOR LOCKING SIZE: A1 CAGE CODE: 00779 DRAWING NO: 1241965 SCALE: 5:1 SHEET: 4 OF 4 REV: B54
DIMENSIONS: mm		CHK: K. Munz	07-NOV-06		
TOLERANCES UNLESS OTHERWISE SPECIFIED: ±0.2		APVD: Th. Klenner	07-NOV-06	RESTRICTED TO	
0-PLC ±0.1 1-PLC ±0.1 2-PLC ±0.05 3-PLC ±0.001 4-PLC ±0.0001		PRODUCT SPEC: 108-18049		APPLICATION SPEC:	
MATERIAL: SEE TABLES		WEIGHT: -		Customer Drawing	

Mouser Electronics

Authorized Distributor

Click to View Pricing, Inventory, Delivery & Lifecycle Information:

[TE Connectivity:](#)

[2-1241965-7](#)