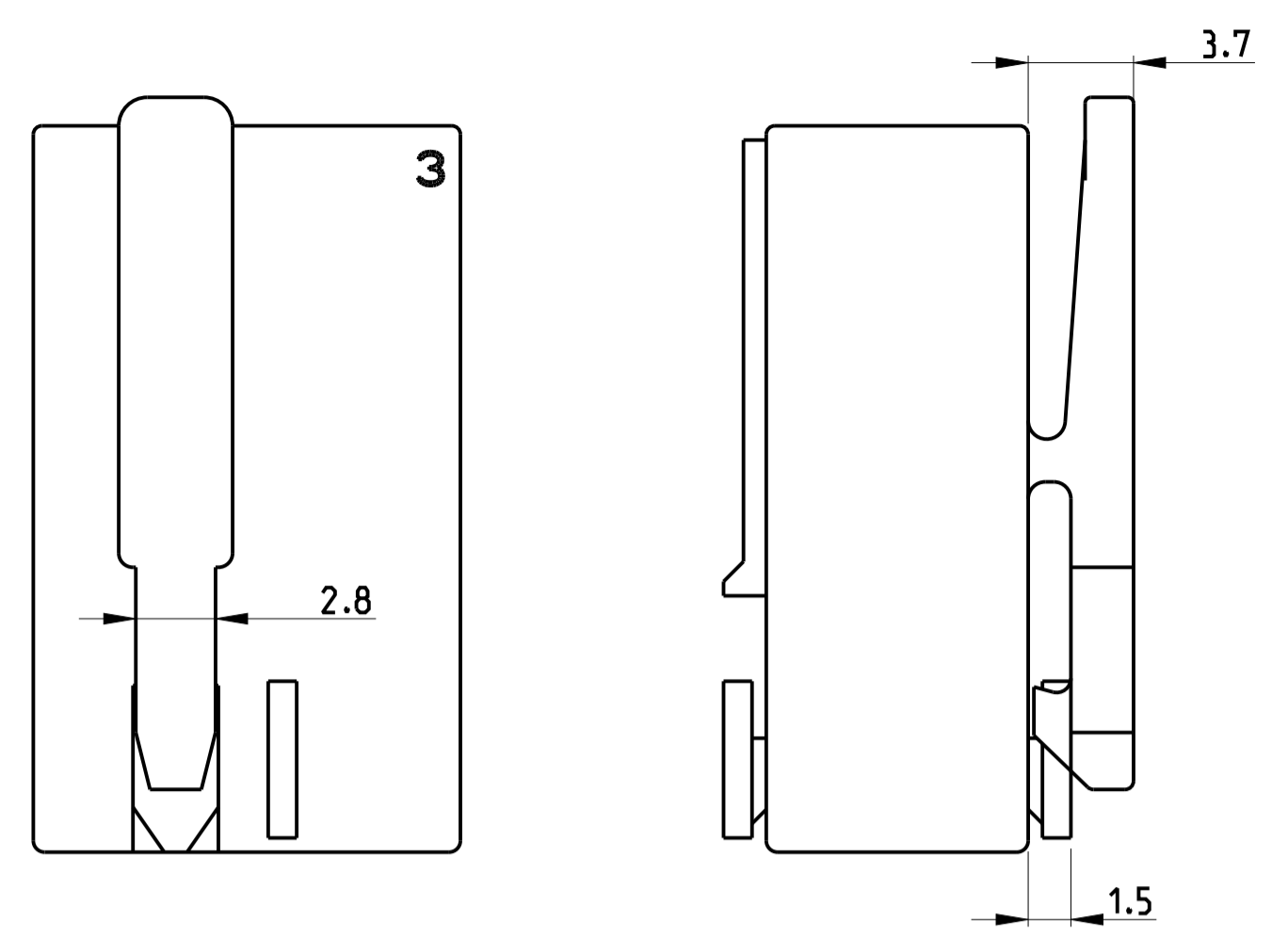
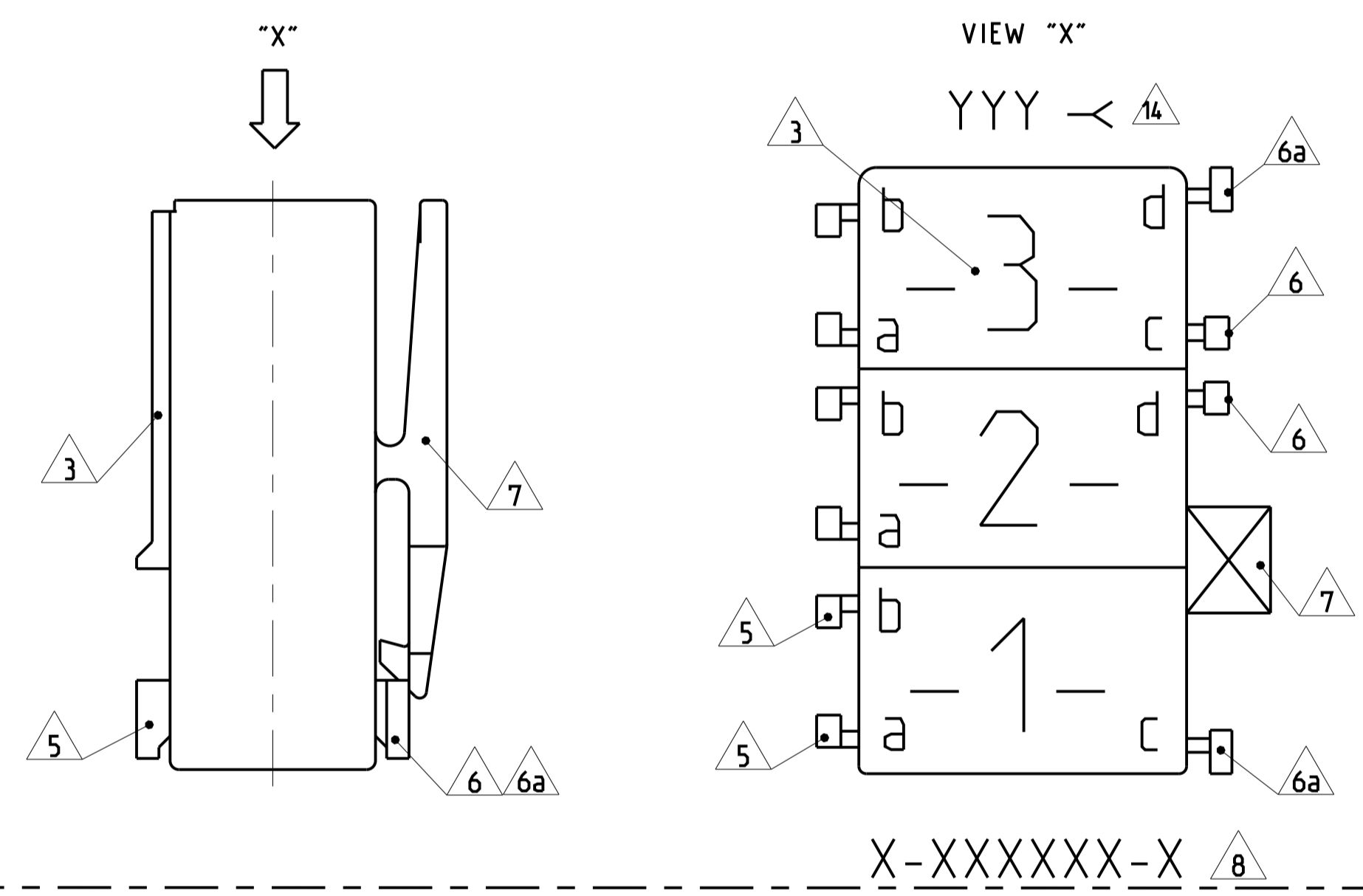


ONLY 5-1241961-7, 1-1241961-9, 7-1241961-7, 2345753-1



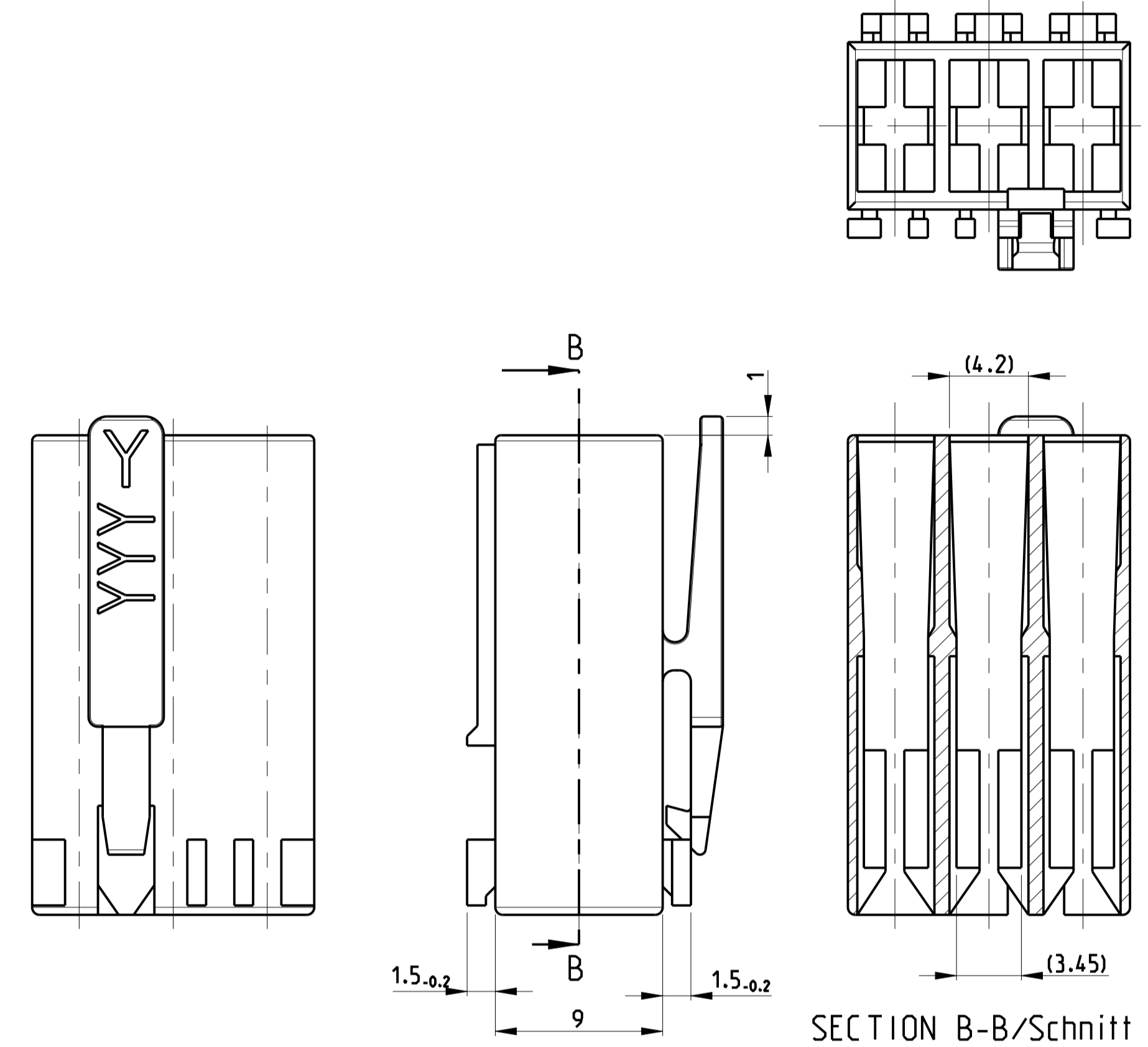
ALL OTHER DIMENSIONS SEE SHEET 1 OF 3

KEY LAYOUT DESCRIPTION



PAY ATTENTION !
DIFFERENT CAVITY GEOMETRY AND LOCKING LATCH OVERHANG
Bitte beachten !
Unterschiedliche Kammergeometrie und Rasthakenüberstand.

FOR 2 POS. AND 3 POS.



ALL OTHER DIMENSIONS SEE SHEET 1 OF 3
Alle anderen Masse siehe Seite 1 von 3

SPECIAL MATERIAL: UL94 V0								
PART NO	POS	DIM C	DIM D	DIM A	DIM B	MATERIAL	COLOUR	REV
2345753-1	3	6	1	15	10	PA66	NATURAL	C
SPECIAL MATERIAL								
15 1955507-4	4	6	1	20	15	PA66	NATURAL	1
16 9-1955506-2	2	6	1	10	5	UL 94 V0	NATURAL	1
15 6-1241961-7	3			15	10	PA 6 UL94V-2	NATURAL	1
4-1241961-7	3			15	10	PA 6 UL94V-2	NATURAL	A
3-1241961-7	3	4	0.5	15	10	PA 6 UL94V-2	NATURAL	A
1-1955422-7	3			15	10	PA 66 UNFILLED UL94 V0	NATURAL	A
5-1955422-7	3			15	10	PA 66 UNFILLED UL94 V0	NATURAL	A
4-1955422-3	2	6	1	10	5	PA 66 UNFILLED UL94 V0	NATURAL	A
2-1241817-3	3	4 or 6	0.5 or 1	15	10	PA 66 UL94 V-2	Green	E
0-1955422-6	3			15	10	PA 66 UNFILLED UL94 V0	NATURAL	A
8-1241961-8	3			15	10	PA 6 UL94V-2	natural	C
0-1241961-8	3			15	10	PA 6 UL94V-2	natural	A
8-1241961-3	2	4	0.5	10	5	PA 6 UL94V-2	NATURAL	C
3-1241961-1	2			10	5	PA 6 UL94V-2	NATURAL	C
0-1955422-1	2			10	5	PA 66 UNFILLED UL94 V0	NATURAL	A
PART NO	POS	DIM C	DIM D	DIM A	DIM B	MATERIAL	COLOUR	REV./Rev.

SPECIAL VERSION: UL94 V0 & GWT 750NF							
PART NO	POS	DIM C	DIM D	DIM A	DIM B	MATERIAL	COLOUR
2178571-3	4			20	15	PA 66. UL94 V-0	NATURAL
2178571-1	3	4	1	15	10	PA 66. UL94 V-0	NATURAL
2178571-2	2			10	5	PA 66. UL94 V-0	NATURAL
1-2178571-3	3			15	10	PA 66. UL94 V-0	NATURAL
PART NO	POS	DIM C	DIM D	DIM A	DIM B	MATERIAL	COLOUR

REVISIONS									
NO	DATE	DESCRIPTION	DATE	BY	APPV				
SEE SHEET-01									
0-1241959-5	5	25	20		B				
4-1241959-4	4	20	15		A				
2-1241959-4	4	20	15		B				
0-1241959-4	4	20	15						
2-1241817-5	5	6	1	25	20				
0-1241817-5	4	0.5	25	20					
3-1241817-4	4	0.5	20	15					
2-1241817-4	4	6	1	20	15				
0-1241817-4	4	0.5	20	15					
2-1241983-2			10	5					
1-1241983-2			10	5					
0-1241983-2	2	4	0.5	10	5				
8-1241983-2			10	5					
5-1241983-3			10	5					
6-1241983-2			10	5					
9-1241961-7		4	0.5	15	10				
9-1241961-8		4	0.5	15	10				
6-1241961-8		4 or 6	0.5 or 1	15	10				
5-1241961-8		4	0.5	15	10				
4-1241961-8		4 or 6	0.5 or 1	15	10				
7-1241961-8		4	0.5	15	10				
1-1241961-8		4 or 6	0.5 or 1	15	10				
3-1241961-8		6	1	15	10				
2-1241961-8				15	10				
2-1241961-7				15	10				
1-1241961-7		4	0.5	15	10				
9-1241961-9				15	10				
0-1241961-6				15	10				
3-1241961-3				10	5				
2-1241961-2				10	5				
5-1241961-2				10	5				
4-1241961-3				10	5				
7-1241961-2				10	5				
7-1241961-3				10	5				
6-1241961-3				10	5				
3-1241961-2				10	5				
5-1241961-3				10	5				
6-1241961-2				10	5				
0-1241961-3				10	5				
8-1241961-2				10	5				
9-1241961-2				10	5				
0-1241961-1				10	5				
9-969484-9	3	6	1	15	10				
2-969484-8				15	10				
4-969484-8		4 or 6	0.5 or 1	15	10				
0-969484-8				15	10				
9-969484-7		4	0.5	15	10				
8-969484-7				15	10				
7-969484-7				15	10				
6-969484-7				15	10				
5-969484-7		4	0.5	15	10				
4-969484-7				15	10				
3-969484-7		4	0.5	15	10				
2-969484-7		4	0.5	15	10				
1-969484-7	3	4	0.5	15	10				
0-969484-7				15	10				
9-969484-6		6	1	15	10				
8-969484-6				15	10				
7-969484-6				15	10				
6-969484-6				15	10				
5-969484-6				15	10				
4-969484-6				15	10				
3-969484-6		6	1	15	10				
2-969484-6				15	10				
1-969484-6				15	10				
0-969484-6				15	10				
9-969484-3				10	5				
6-969484-3				10	5				
5-969484-3		4	0.5	10	5				
4-969484-3				10	5				
3-969484-3				10	5				
2-969484-3				10	5				
1-969484-3				10	5				
0-969484-3				10	5				
9-969484-2				10	5				
8-969484-2				10	5				
7-969484-2				10	5				
6-969484-2		4	0.5	10	5				
5-969484-2				10	5				
4-969484-2				10	5				
3-969484-2				10	5				
2-969484-2				10	5				
1-969484-2				10	5				
0-969484-2				10	5				
9-969484-1		6	1	10	5				
8-969484-1		4	1	10	5				
7-969484-1				10	5				
6-969484-1		6	1	10	5				
5-969484-1				10	5				
4-969484-1		6	1	10	5				
3-969484-1				10	5				
2-969484-1		4	0.5	10	5				
1-969484-1				10	5				
0-969484-1				10	5				
PART NO	POS.	DIM C	DIM D	DIM A	DIM B	MATERIAL	COLOUR	REV	

THIS DRAWING IS A CONTROLLED DOCUMENT. DWG: Kishor M 18-10-07, CHK: K. Murtz 18-10-07, APPV: T. Klenner 18-10-07

DIMENSIONS: mm. TOLERANCES UNLESS OTHERWISE SPECIFIED: 0 PLC ±0.2, 1 PLC ±0.2, 2 PLC ±0.2, 3 PLC ±0.2, 4 PLC ±0.2, 5 PLC ±0.2, 6 PLC ±0.2, 7 PLC ±0.2, 8 PLC ±0.2, 9 PLC ±0.2, 10 PLC ±0.2, 11 PLC ±0.2, 12 PLC ±0.2, 13 PLC ±0.2, 14 PLC ±0.2, 15 PLC ±0.2, 16 PLC ±0.2, 17 PLC ±0.2, 18 PLC ±0.2, 19 PLC ±0.2, 20 PLC ±0.2, 21 PLC ±0.2, 22 PLC ±0.2, 23 PLC ±0.2, 24 PLC ±0.2, 25 PLC ±0.2, 26 PLC ±0.2, 27 PLC ±0.2, 28 PLC ±0.2, 29 PLC ±0.2, 30 PLC ±0.2, 31 PLC ±0.2, 32 PLC ±0.2, 33 PLC ±0.2, 34 PLC ±0.2, 35 PLC ±0.2, 36 PLC ±0.2, 37 PLC ±0.2, 38 PLC ±0.2, 39 PLC ±0.2, 40 PLC ±0.2, 41 PLC ±0.2, 42 PLC ±0.2, 43 PLC ±0.2, 44 PLC ±0.2, 45 PLC ±0.2, 46 PLC ±0.2, 47 PLC ±0.2, 48 PLC ±0.2, 49 PLC ±0.2, 50 PLC ±0.2, 51 PLC ±0.2, 52 PLC ±0.2, 53 PLC ±0.2, 54 PLC ±0.2, 55 PLC ±0.2, 56 PLC ±0.2, 57 PLC ±0.2, 58 PLC ±0.2, 59 PLC ±0.2, 60 PLC ±0.2, 61 PLC ±0.2, 62 PLC ±0.2, 63 PLC ±0.2, 64 PLC ±0.2, 65 PLC ±0.2, 66 PLC ±0.2, 67 PLC ±0.2, 68 PLC ±0.2, 69 PLC ±0.2, 70 PLC ±0.2, 71 PLC ±0.2, 72 PLC ±0.2, 73 PLC ±0.2, 74 PLC ±0.2, 75 PLC ±0.2, 76 PLC ±0.2, 77 PLC ±0.2, 78 PLC ±0.2, 79 PLC ±0.2, 80 PLC ±0.2, 81 PLC ±0.2, 82 PLC ±0.2, 83 PLC ±0.2, 84 PLC ±0.2, 85 PLC ±0.2, 86 PLC ±0.2, 87 PLC ±0.2, 88 PLC ±0.2, 89 PLC ±0.2, 90 PLC ±0.2, 91 PLC ±0.2, 92 PLC ±0.2, 93 PLC ±0.2, 94 PLC ±0.2, 95 PLC ±0.2, 96 PLC ±0.2, 97 PLC ±0.2, 98 PLC ±0.2, 99 PLC ±0.2, 100 PLC ±0.2

MATERIAL: SEE TABLES. SHEETS: PAGE 2 AND 3 OF 4. WEIGHT: -. SCALE: 5:1. SHEET: 2 OF 4. REV: E4

STANDARD TIMER HSG. RAST 5 MARK II
Standard Timer Gehäuse RAST 5 Mark II

SIZE: A1. CODE: 00779. DRAWING NO: 108-18049. RESTRICTED TO: Customer Drawing.

LOC	DIST	REVISIONS			
P	LTN	DESCRIPTION	DATE	DWN	APVD
		SEE SHEET 1			

SPECIAL VERSION: UL94 V0 & GWEPT 750°C NF

Part No.	POS	Dim C	Dim D	Dim A	Dim B	Material	Colour	Rev.
2364739-5	5	4	0.5	25	20	PA66 13 17	BLUE	C
2364739-4	4			20	15		BLUE	C
1-2364739-3	3			15	10		BLUE	C
2364739-3	3			15	10		BLUE	C
1-2364739-2	2			10	5		BLUE	C
2364739-2	2			10	5		BLUE	C
3-2364739-2	2			10	5		BLUE	C
2-2364739-2	2			10	5		BLUE	C

SPECIAL VERSION: UL94 V0 & GWT 750 NF & CTI 350

Part No.	POS	Dim C	Dim D	Dim A	Dim B	Material	Colour	Rev.
5-1241961-7	3	6	1	15	10	PA66 13	NATURAL	A
1-1241961-9	3			15	10		NATURAL	A
7-1241961-7	3			15	10		NATURAL	A

SPECIAL VERSION: UL94 V0 & GWT 750 NF

Part No.	POS	Dim C	Dim D	Dim A	Dim B	Material	Colour	Rev.
2322164-1	4	4	0.5	20	15	PA66 13	NATURAL	1

SPECIAL VERSION: UL94 V2 & GWT 750 NF

Part No.	POS	Dim C	Dim D	Dim A	Dim B	Material	Colour	Rev.
6-2178575-7	3	4	0.5	15	10	PA6 GF15 13	NATURAL	A

SPECIAL VERSION: UL94 V0 & GWT 750 NF

Part No.	POS	Dim C	Dim D	Dim A	Dim B	Material	Colour	Rev.
3-2178412-7	3	6	1	15	10	PA66 13 UL94 V0 & GWT 750 NF	NATURAL	1
4-2178412-7	3			15	10		NATURAL	1
8-2178412-2	2			10	5		NATURAL	1

UL94 V0 & GWT 750 NF

Part No.	POS	Dim C	Dim D	Dim A	Dim B	Material	Colour	Rev.			
2322917-4	4	4	0.5	20	15	PA66 13 UL94 V0 & GWT 750 NF	NATURAL	C			
2322917-2	2			10	5		NATURAL	C			
2315717-1	2			10	5		NATURAL	C			
2315717-2	2			10	5		NATURAL	C			
2315717-3	2			10	5		NATURAL	C			
1-2315717-2	2			10	5		NATURAL	1			
2-2315717-2	2			10	5		NATURAL	1			
2315717-4	4			20	15		NATURAL	C			
2315717-5	4			20	15		NATURAL	C			
2315717-6	3			15	10		NATURAL	C			
2315717-7	3			15	10		NATURAL	C			
1-2315717-3	3			15	10		NATURAL	E			
PART NO.	POS			DIM C	DIM D		DIM A	DIM B	MATERIAL	COLOUR	REV.

THIS DRAWING IS A CONTROLLED DOCUMENT.

DW	Kishor M	18-10-07
CHK	K. Muniz	18-10-07
APPD	T. Klennner	18-10-07

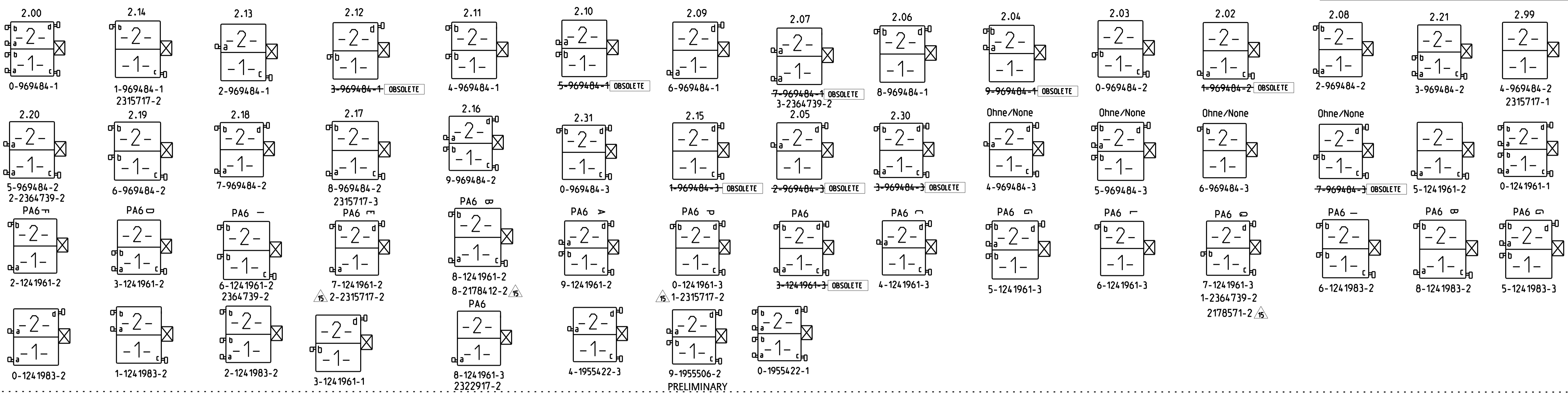
STANDARD TIMER HSG. RAST 5 MARK II
Standard Timer Gehäuse RAST 5 Mark II

SIZE: A1 CAGE CODE: 00779 DRAWING NO: 1241961

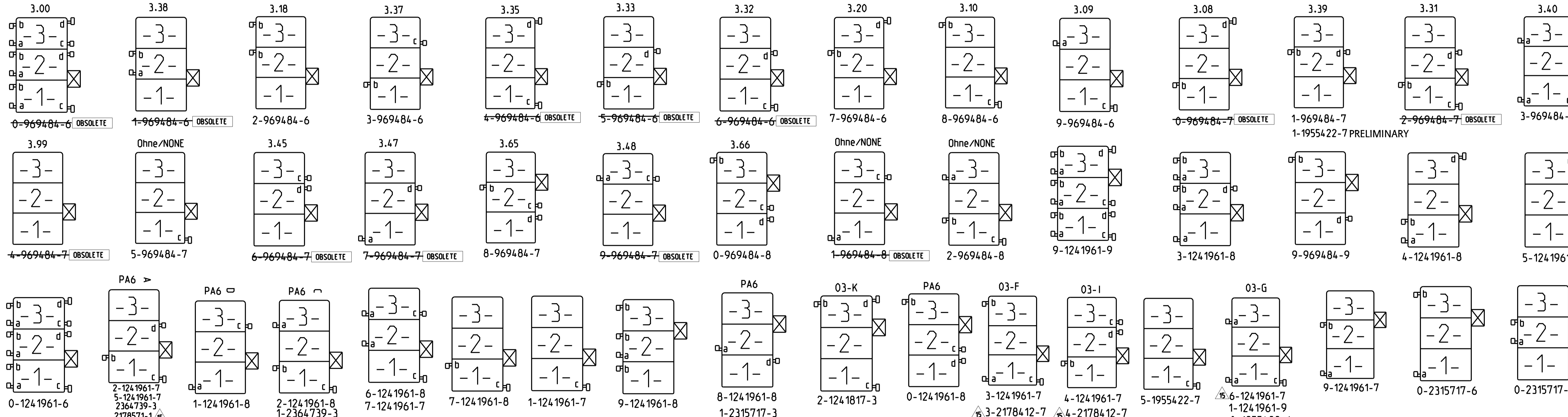
SCALE: 5:1 SHEET: 3 OF 4 REV: E4

REVISONS		DATE	DRW	APVD
1	SEE SHEET-01			

2 POSITION VARIANTS

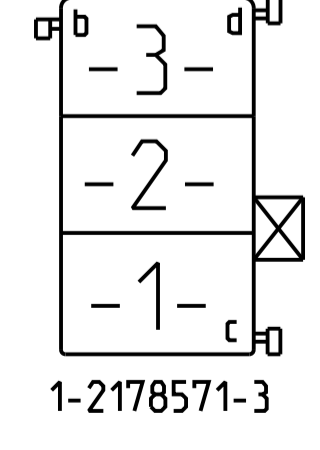
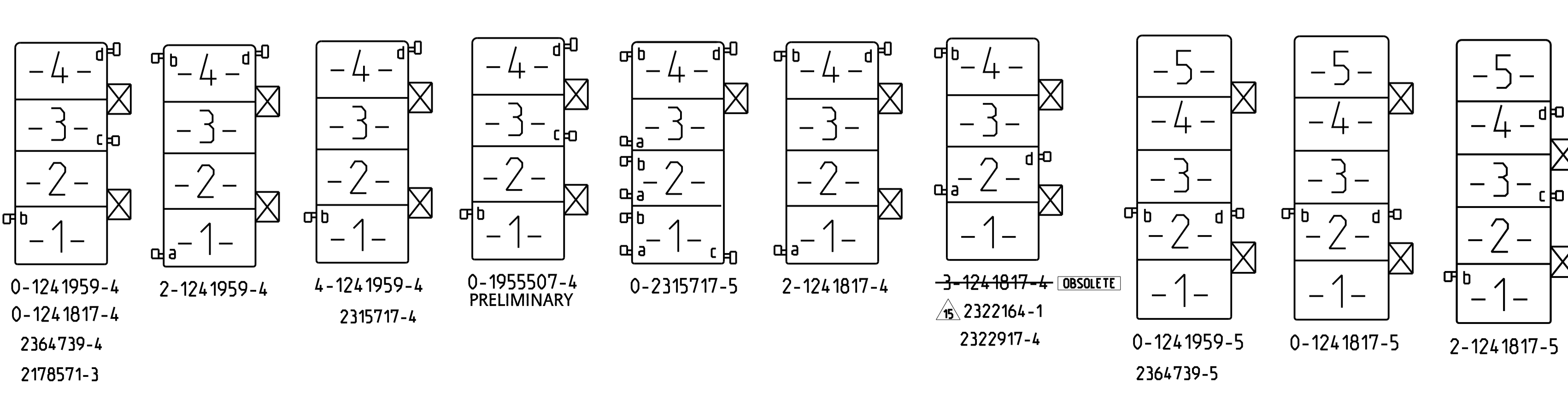


3 POSITION VARIANTS



4 POSITION VARIANTS

5 POSITION VARIANTS



THIS DRAWING IS A CONTROLLED DOCUMENT.		DRW: Kishor M. 18-10-07	 TE Connectivity	NAME: STANDARD TIMER HSG. RAST 5 MARK II Standard Timer Gehäuse RAST 5 Mark II
DIMENSIONS: mm		CHK: K. Murtz 18-10-07		PRODUCT SPEC: 108-18049
TOLERANCES UNLESS OTHERWISE SPECIFIED:		APVD: T. Klöpper 18-10-07	APPLICATION SPEC:	SIZE: A1
0 PLC ±0.2 1 PLC ±0.2 2 PLC ±0.2 3 PLC ±0.2 4 PLC ±0.2 ANGLES ±°		1-1241961-7 2-1241961-7 3-1241961-7 4-1241961-7 5-1955422-7 6-1241961-7 7-1241961-9 8-1241961-8 9-1241961-7 0-2315717-6 0-2315717-7	RESTRICTED TO:	
MATERIAL: SEE TABLES. SHEETS PAGE 2 AND 3 OF 4		WEIGHT: -	Customer Drawing	SCALE: 5:1
		Customer Drawing	00779	REV: 4

Mouser Electronics

Authorized Distributor

Click to View Pricing, Inventory, Delivery & Lifecycle Information:

[TE Connectivity:](#)

[969484-1](#)