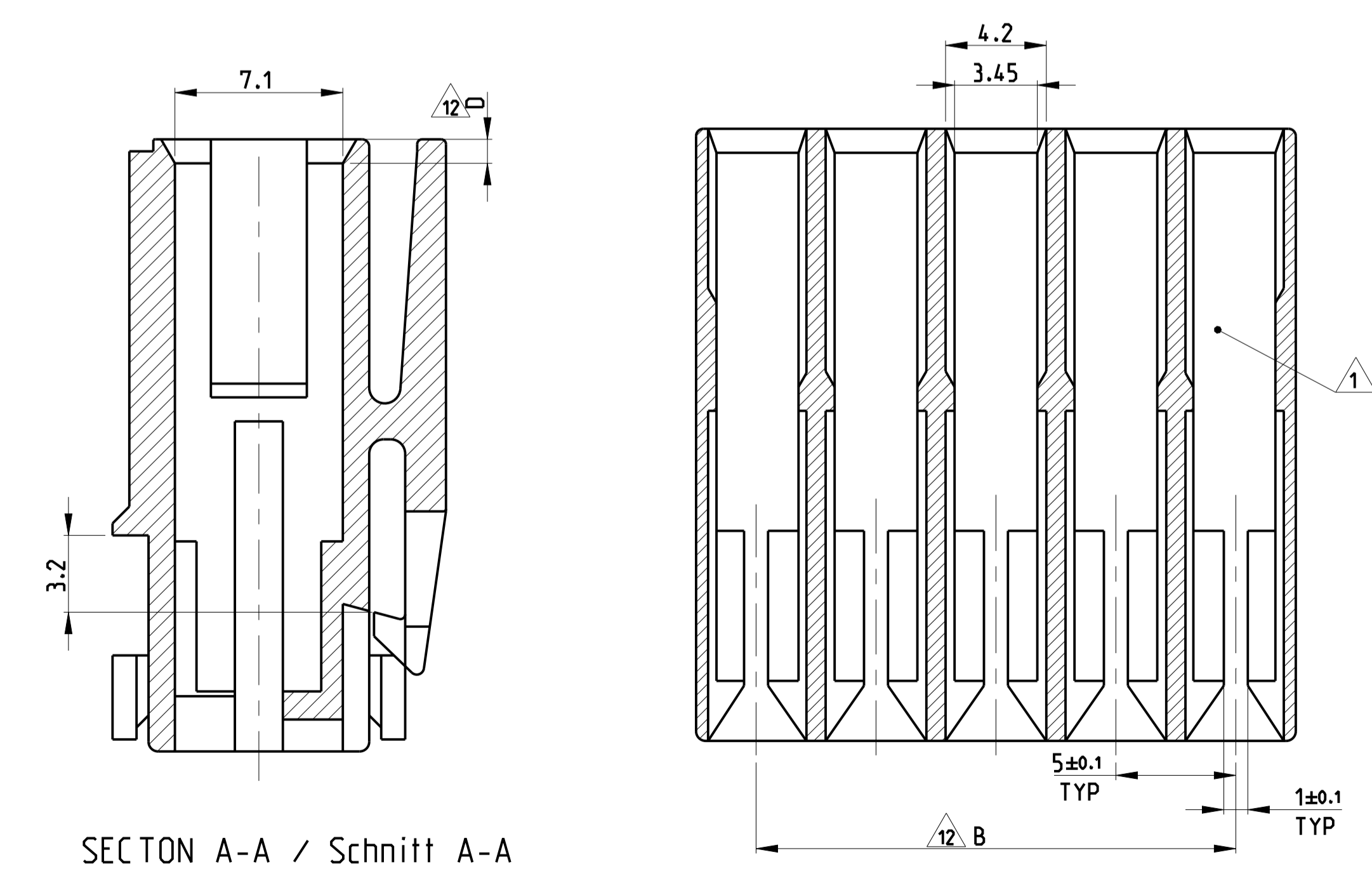
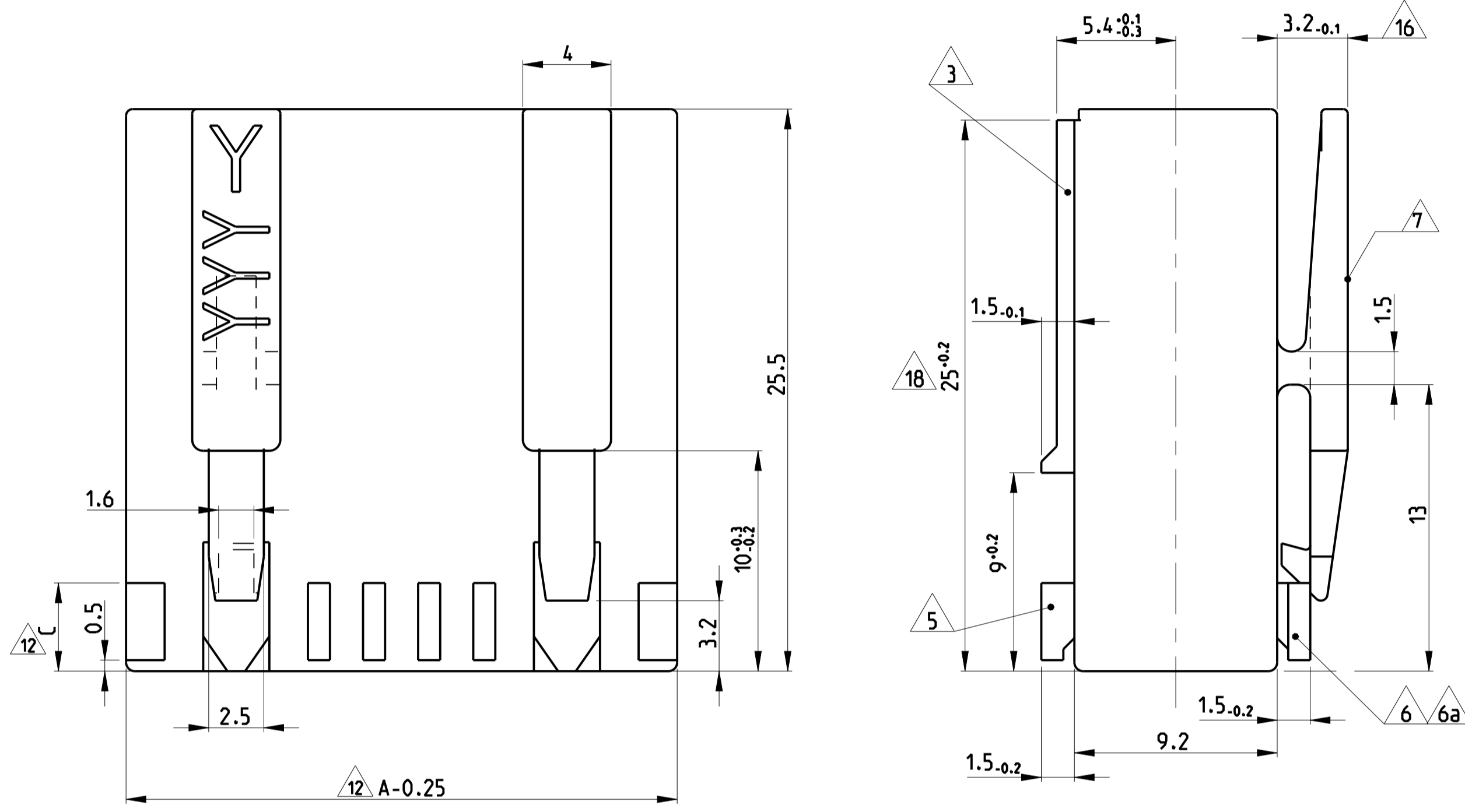
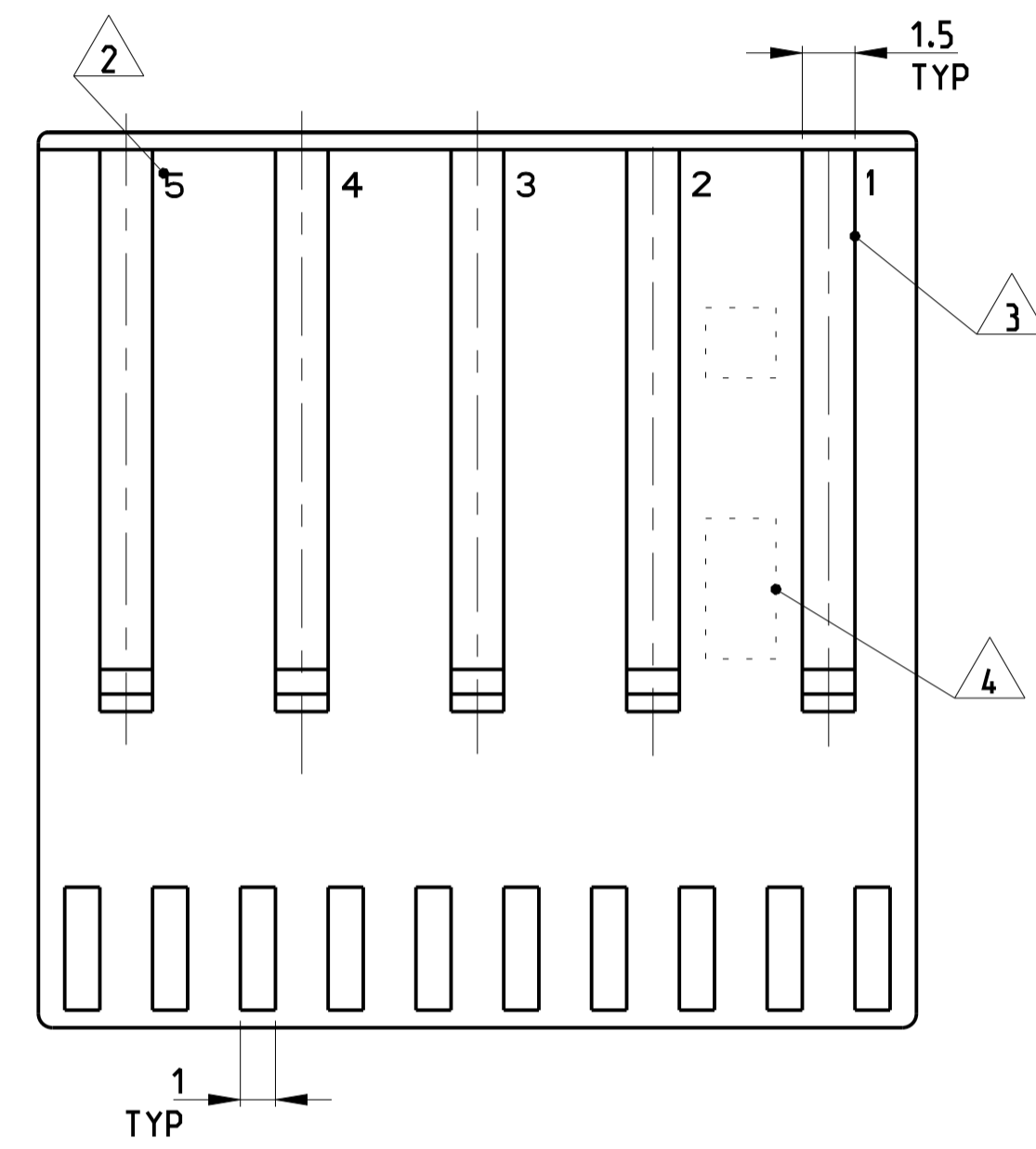
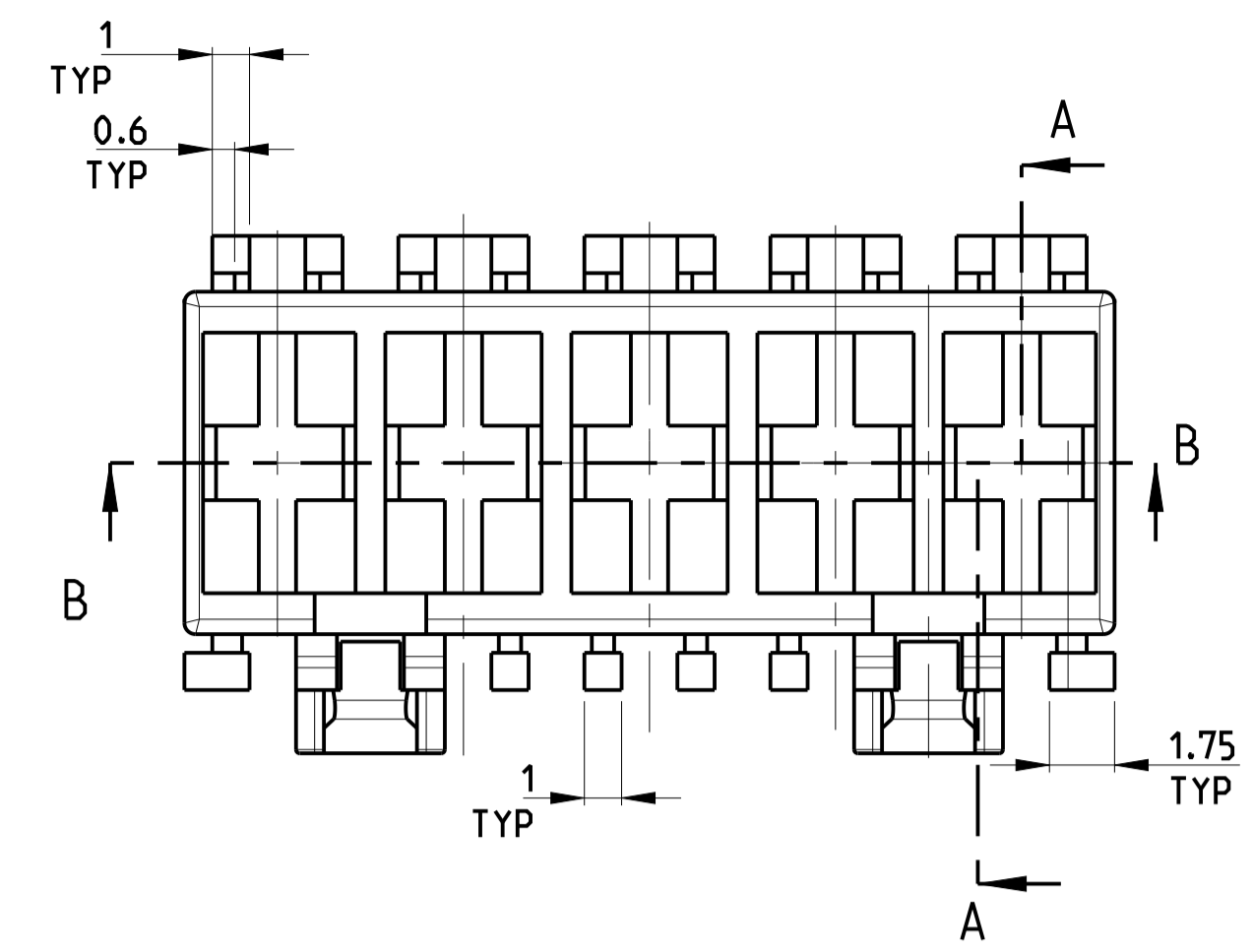
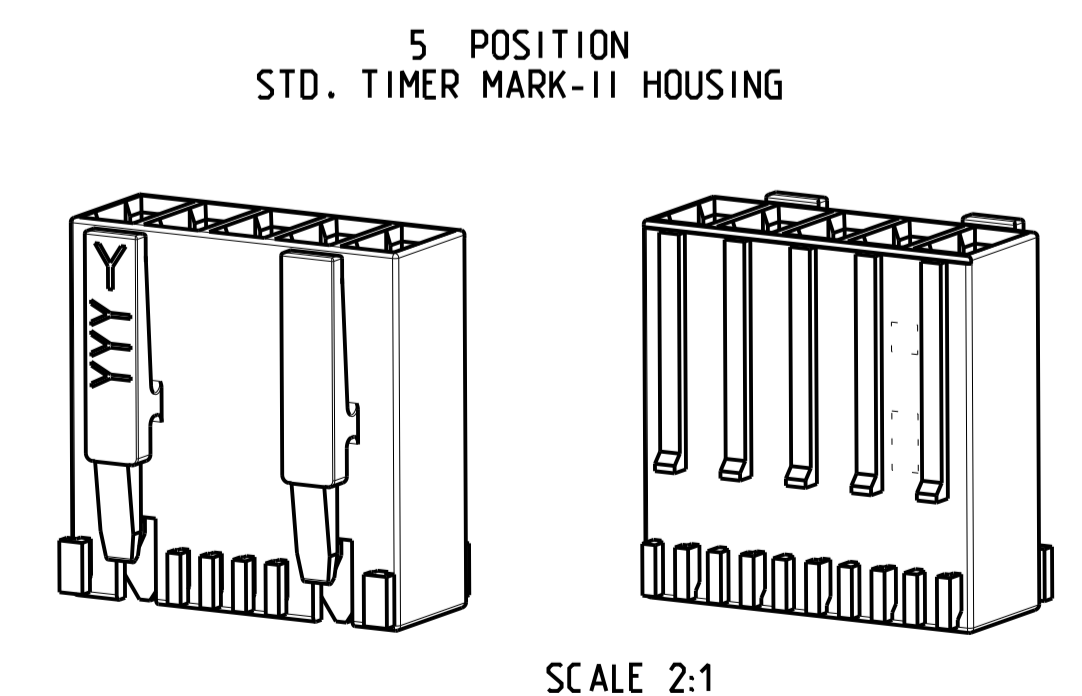


LOC		DIST		REVISIONS			
AI	-	P	LTR	DESCRIPTION	DATE	DWH	APVD
E1	ECR-21-100139				12 JAN 2021	KD	FL
E2	ECR-21-100675				23 FEB 2021	KD	FL
E3	ECR-21-102870				20 MAY 2021	SM	FL
E4	ECR-21-103933				14 JUN 2021	PJ	FL



- REMARKS/Bemerkungen**
- 1 CAVITY SUITABLE FOR STANDARD TIMER CONTACTS LISTED IN PROD.SPEC. 108-18049. ITEM 3.3.2
Kammer geeignet für Standard Timer Kontakte gelistet in Prod. Spec. 108-18049. Punkt 3.3.2
 - 2 CONTACT CAVITY NO.
Kontaktkammernummerierung
 - 3 MATING STOP
Tiefenanschlag
 - 4 AREA FOR TE LOGO ACC. TO SPEC 202-36
Bereich für TE Logo nach Spec. 202-36
 - 5 POLARIZATION RIB POSITION "a" AND/OR "b"
Polarisierungsrippe Position "a" und/oder "b"
 - 6 KEYING RIB POSITION "c" AND/OR "d"
Kodierrippe Position "c" und/oder "d"
 - 6a KEYING RIB POSITION "c" AND/OR "d" AT THE END WALLS OF THE HOUSING
Kodierrippe Position "c" und/oder "d" an den Gehäusestirnseiten
 - 7 LOCKING LATCH
Rasthaken
 - 8 TE PART NO (PN)
TE Bestell Nr. (PN)
 - 9 DESIGN OF THE HOUSINGS ACC. TO RAST 5 STANDARD
Gehäuseausführung gemäss RAST 5 Vorgabe
 - 10 GENERAL SUITABLE TAB HEADER SEE RAST 5 PERFORMANCE
Generell passende Flachsteckerwannen siehe RAST 5 Vorgabe
 - 11 PACKAGING: BULK PACKAGING IN CORRUGATED BOX PN 740580-2
2 POS. 2500 PIECES PER BOX / 3 POS. 2000 PIECES PER BOX
Verpackung: Schüttgut in Versandkarton Pn 740580-2
2pol. 2500 Stück per Karton / 3pol. 2000 Stück per Karton
 - 12 DIMENSION A, B C AND D SEE SHEET 2 OF 3
 - 13 MATERIAL CORRESPONDS TO THE REQUIREMENT EN 60335
(INCL. GLOW WIRE TEST 750° WITHOUT FLAME)
Material entspricht den Anforderungen der EN 60335
(inkl. Glühdrahttest 750° ohne Flamme)
 - 14 RATIO NUMBER OF THE KEYING VERSION, INKJET PRINTED. SEE SHEET 2
Kodierungskennnummer, mit Tintenstrahldrucker aufgebracht. siehe Blatt 2
 - 15 PRELIMINARY- NOT RELEASED FOR PRODUCTION
 - 16 ONLY FOR 9-1241961-7. DIMENSION 3.2 -0.2
 - 17 DOUBLE SOURCE RESIN: ALTERNATIVE RESIN UNDER APPROVAL
 - 18 ALLOWED 25±0.2 FOR P/Ns X-2364739-X.



SCALE 2:1

SECTION A-A / Schnitt A-A

SECTION B-B / Schnitt B-B

THIS DRAWING IS A CONTROLLED DOCUMENT.		DWH: Kishor M 18-10-07		TE Connectivity	
DIMENSIONS: mm		CHK: K. Murtz 18-10-07		NAME: STANDARD TIMER HSG. RAST 5 MARK II	
TOLERANCES UNLESS OTHERWISE SPECIFIED:		APPD: Tm Klanner 18-10-07	PRODUCT SPEC: 108-18049-1		
0 PLC ±0.2		APPLICATION SPEC: -			
1 PLC ±0.2		SIZE: -			
2 PLC ±0.2		CAGE CODE: -			
3 PLC ±0.2		DRAWING NO: A1 00779			
4 PLC ±0.2		RESTRICTED TO: -			
5 PLC ±0.2		WEIGHT: -			
ANGLES: -		Customer Drawing			
FINISH: -		SCALE: 5:1			
MATERIAL: -		SHEET: 1 OF 4			
SEE TABLES SHEETS PAGE 2 AND 3 OF 4		REV: E4			

LOC	DIST	REVISIONS			
P	LTR	DESCRIPTION	DATE	DWN	APVD
		SEE SHEET 1			

SPECIAL VERSION: UL94 V0 & GWEPT 750°C NF

Part No.	POS	Dim C	Dim D	Dim A	Dim B	Material	Colour	Rev.
2364739-5	5	4	0.5	25	20	PA66 13 17	BLUE	C
2364739-4	4			20	15		BLUE	C
1-2364739-3	3			15	10		BLUE	C
2364739-3	3			15	10		BLUE	C
1-2364739-2	2			10	5		BLUE	C
2364739-2	2			10	5		BLUE	C
3-2364739-2	2			10	5		BLUE	C
2-2364739-2	2			10	5		BLUE	C

SPECIAL VERSION: UL94 V0 & GWT 750 NF & CTI 350

Part No.	POS	Dim C	Dim D	Dim A	Dim B	Material	Colour	Rev.
5-1241961-7	3	6	1	15	10	PA66 13	NATURAL	A
1-1241961-9	3			15	10		NATURAL	A
7-1241961-7	3			15	10		NATURAL	A

SPECIAL VERSION: UL94 V0 & GWT 750 NF

Part No.	POS	Dim C	Dim D	Dim A	Dim B	Material	Colour	Rev.
2322164-1	4	4	0.5	20	15	PA66 13	NATURAL	1

SPECIAL VERSION: UL94 V2 & GWT 750 NF

Part No.	POS	Dim C	Dim D	Dim A	Dim B	Material	Colour	Rev.
6-2178575-7	3	4	0.5	15	10	PA6 GF15 13	NATURAL	A

SPECIAL VERSION: UL94 V0 & GWT 750 NF

Part No.	POS	Dim C	Dim D	Dim A	Dim B	Material	Colour	Rev.
3-2178412-7	3	6	1	15	10	PA66 13 UL94 V0 & GWT 750 NF	NATURAL	1
4-2178412-7	3			15	10		NATURAL	1
8-2178412-2	2			10	5		NATURAL	1

UL94 V0 & GWT 750 NF

Part No.	POS	Dim C	Dim D	Dim A	Dim B	Material	Colour	Rev.	
2322917-4	4	4	0.5	20	15	PA66 13 UL94 V0 & GWT 750 NF	NATURAL	C	
2322917-2	2			10	5		NATURAL	C	
2315717-1	2			10	5		NATURAL	C	
2315717-2	2			10	5		NATURAL	C	
2315717-3	2			10	5		NATURAL	C	
1-2315717-2	2			10	5		NATURAL	1	
2-2315717-2	2			10	5		NATURAL	1	
2315717-4	4			20	15		NATURAL	C	
2315717-5	4			20	15		NATURAL	C	
2315717-6	3			15	10		NATURAL	C	
2315717-7	3			15	10		NATURAL	C	
1-2315717-3	3			15	10		NATURAL	E	
PART NO.	POS	DIM C	DIM D	DIM A	DIM B		MATERIAL	COLOUR	REV.

THIS DRAWING IS A CONTROLLED DOCUMENT.

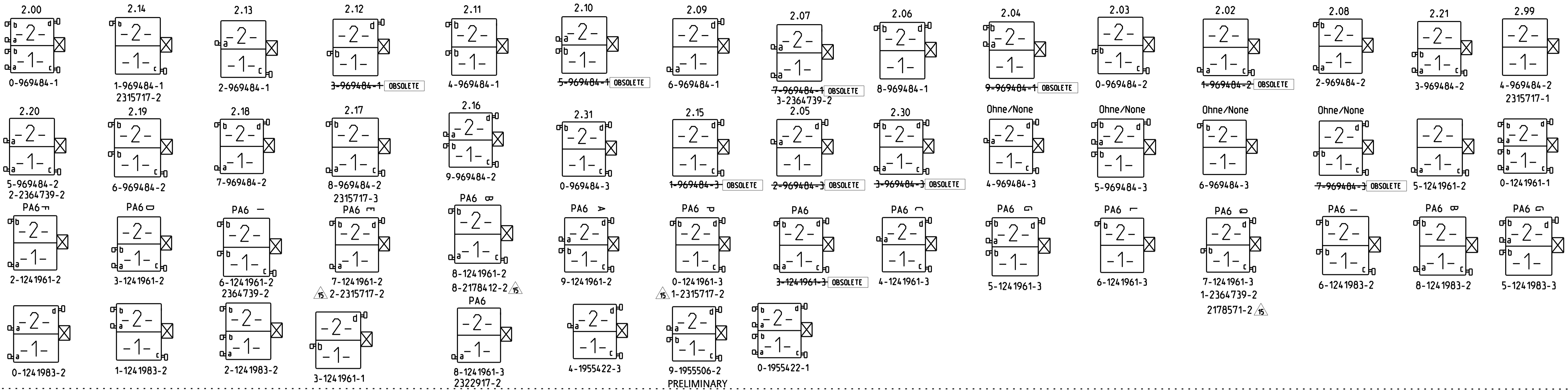
DW	Kishor M	18-10-07
CHK	K. Muniz	18-10-07
APPD	T. Klennner	18-10-07

STANDARD TIMER HSG. RAST 5 MARK II
Standard Timer Gehäuse RAST 5 Mark II

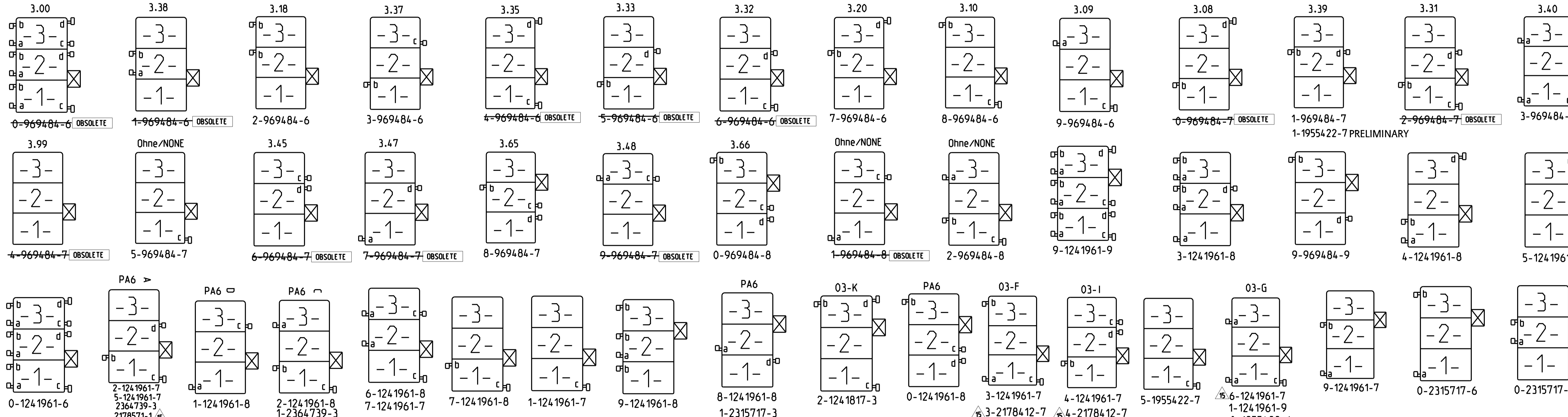
SIZE: A1 CAGE CODE: 00779 DRAWING NO: 1241961

SCALE: 5:1 SHEET: 3 OF 4 REV: E4

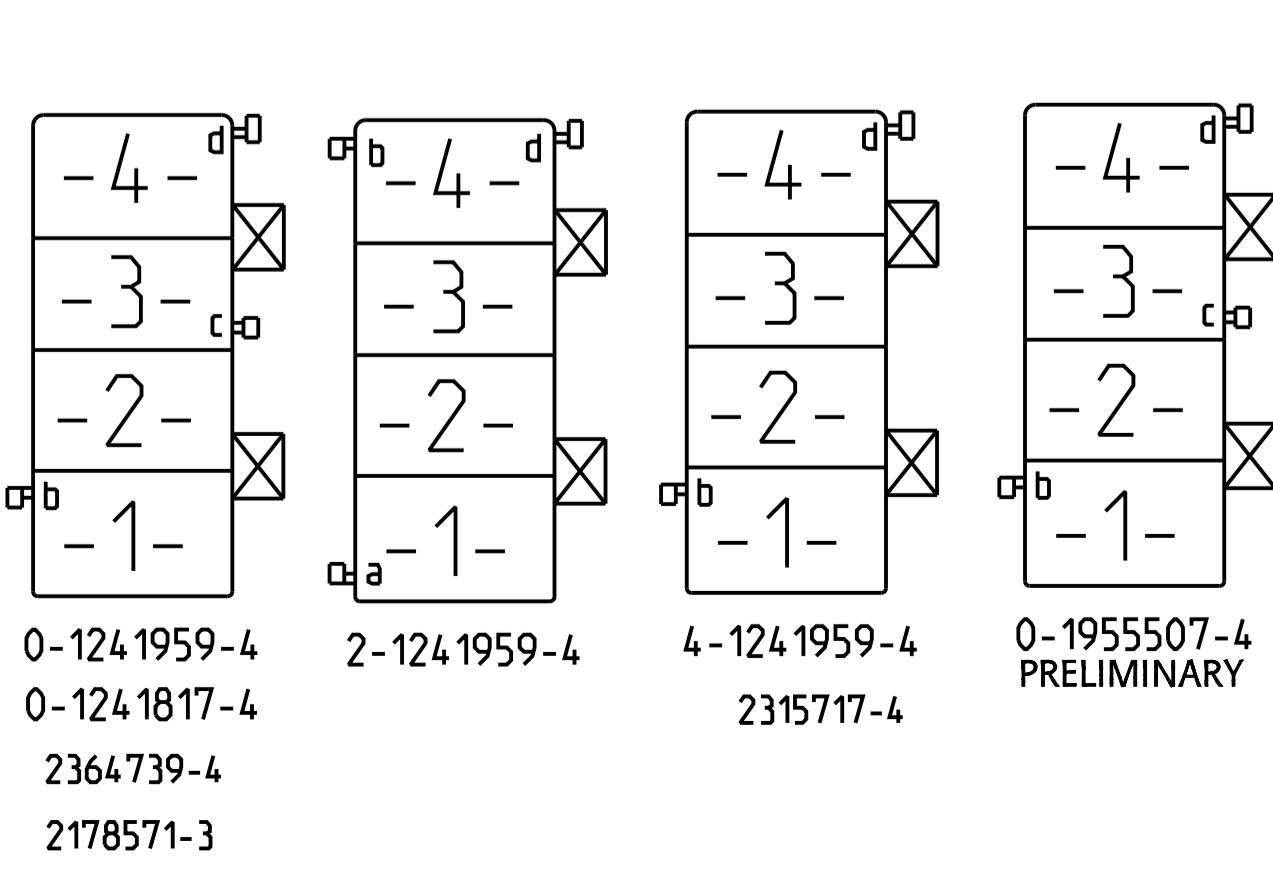
2 POSITION VARIANTS



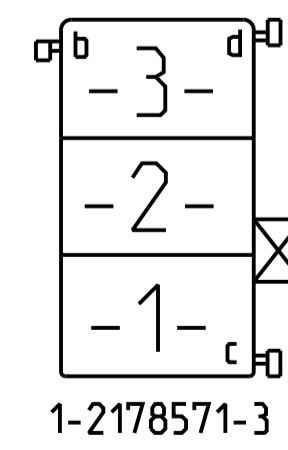
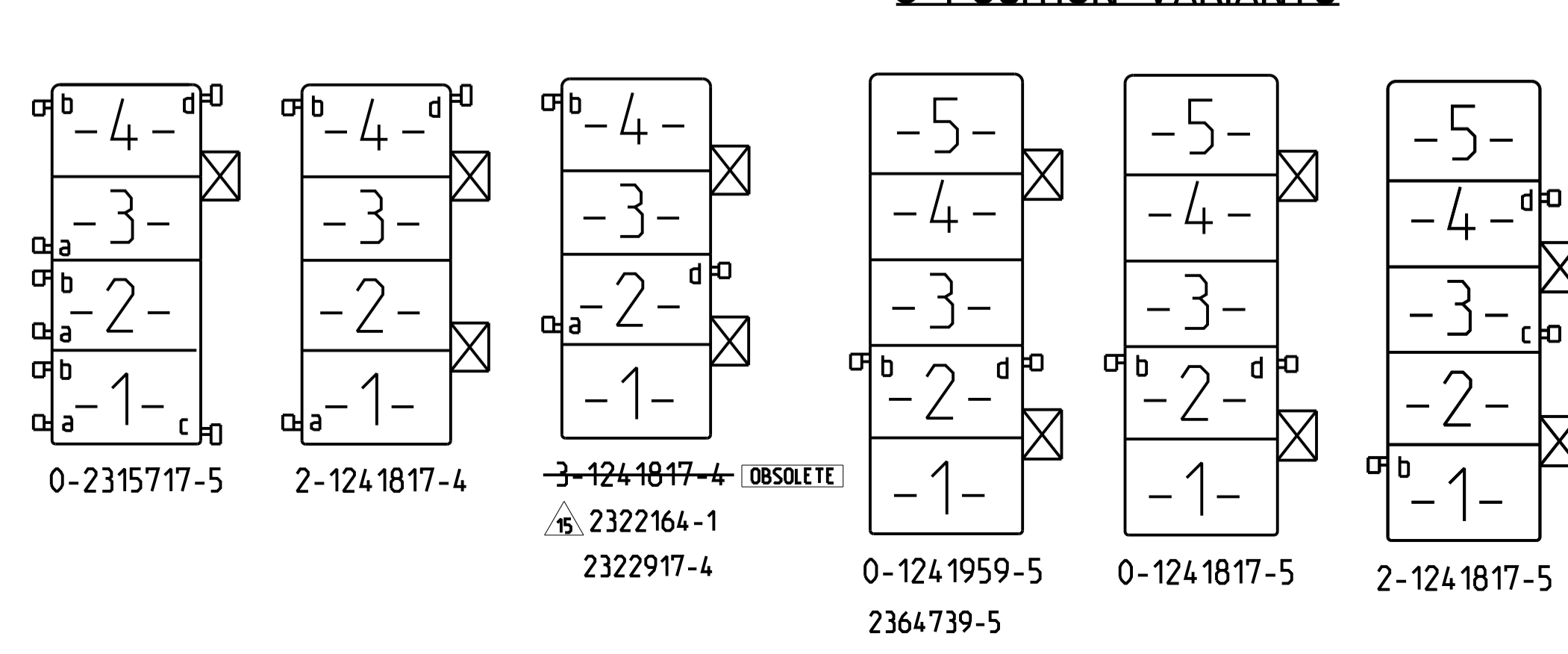
3 POSITION VARIANTS



4 POSITION VARIANTS



5 POSITION VARIANTS



THIS DRAWING IS A CONTROLLED DOCUMENT.		DRW: Kishor M. 18-10-07	 TE Connectivity	NAME: STANDARD TIMER HSG. RAST 5 MARK II Standard Timer Gehäuse RAST 5 Mark II
DIMENSIONS: mm		CHK: K. Murtz 18-10-07		PRODUCT SPEC: 108-18049
TOLERANCES UNLESS OTHERWISE SPECIFIED:		APVD: T.K. Klöpper 18-10-07		APPLICATION SPEC: -
0 PLC ±0.2 1 PLC ±0.2 2 PLC ±0.2 3 PLC ±0.2 4 PLC ±0.2 ANGLES ±° FINISH -		0-1955422-7 1-1241961-9 6-2178575-7 2345753-1		RESTRICTED TO: -
MATERIAL: SEE TABLES. SHEETS PAGE 2 AND 3 OF 4		WEIGHT: -	SIZE: A1	Customer Drawing
		SCALE: 5:1	SHEET 4 OF 6 REV E4	

Mouser Electronics

Authorized Distributor

Click to View Pricing, Inventory, Delivery & Lifecycle Information:

[TE Connectivity:](#)

[1241961-3](#)