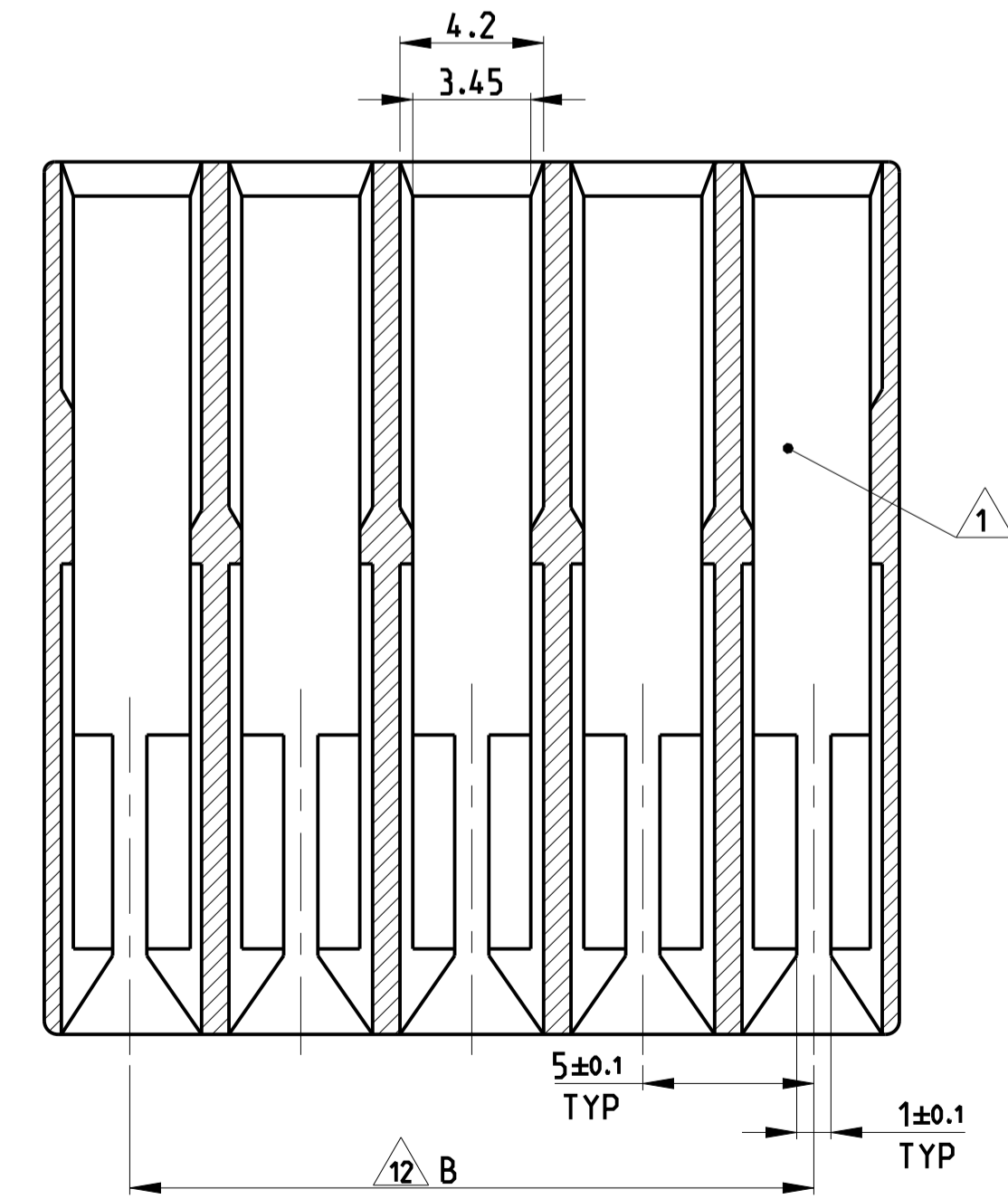
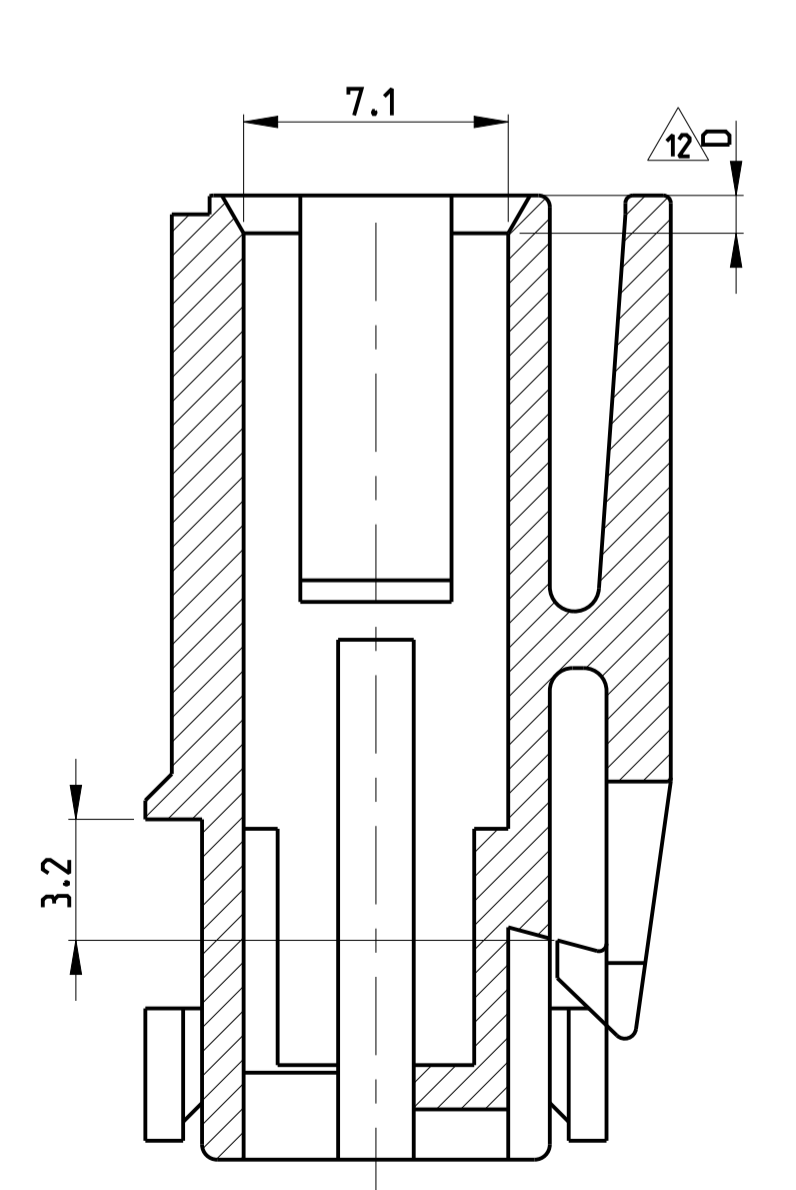
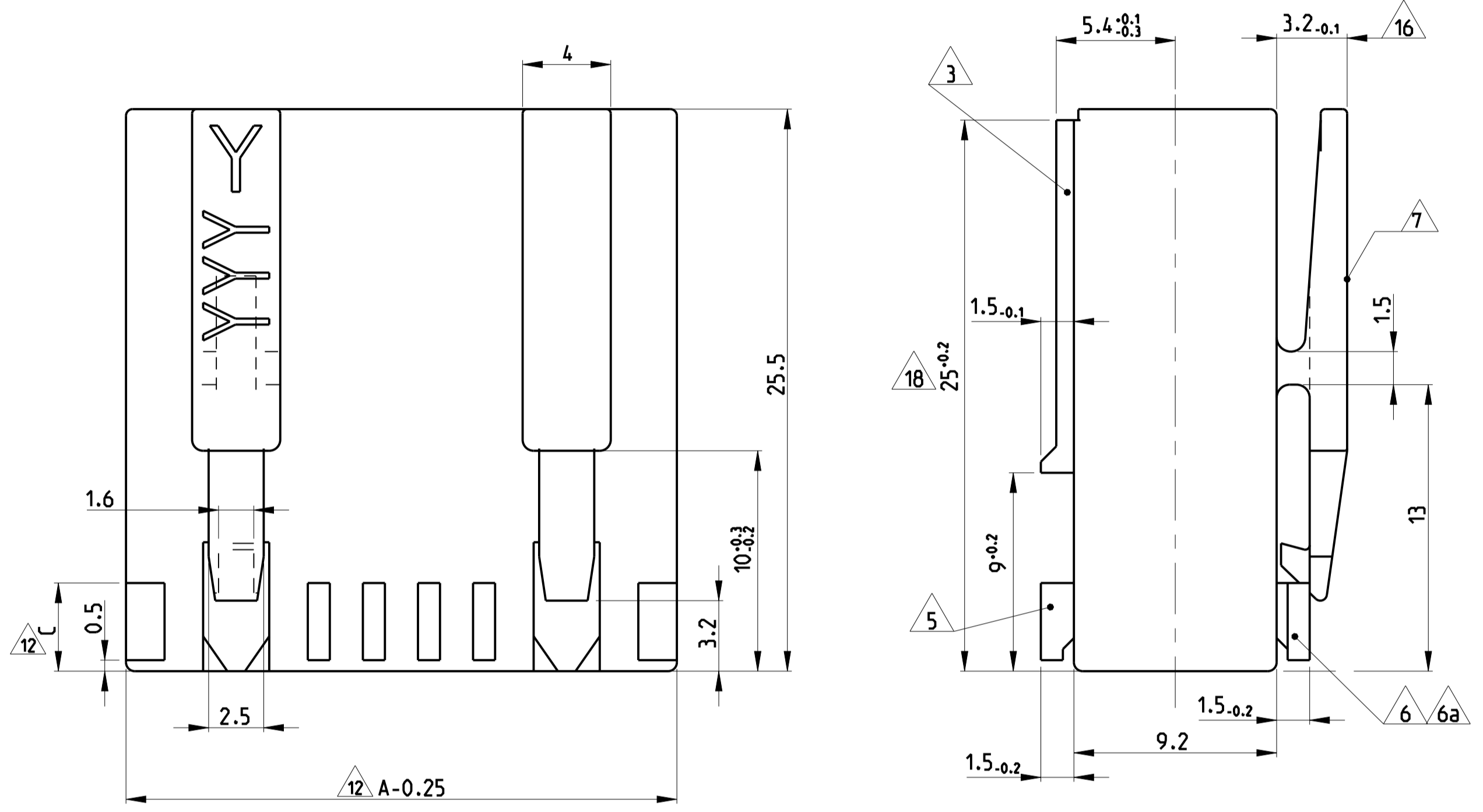
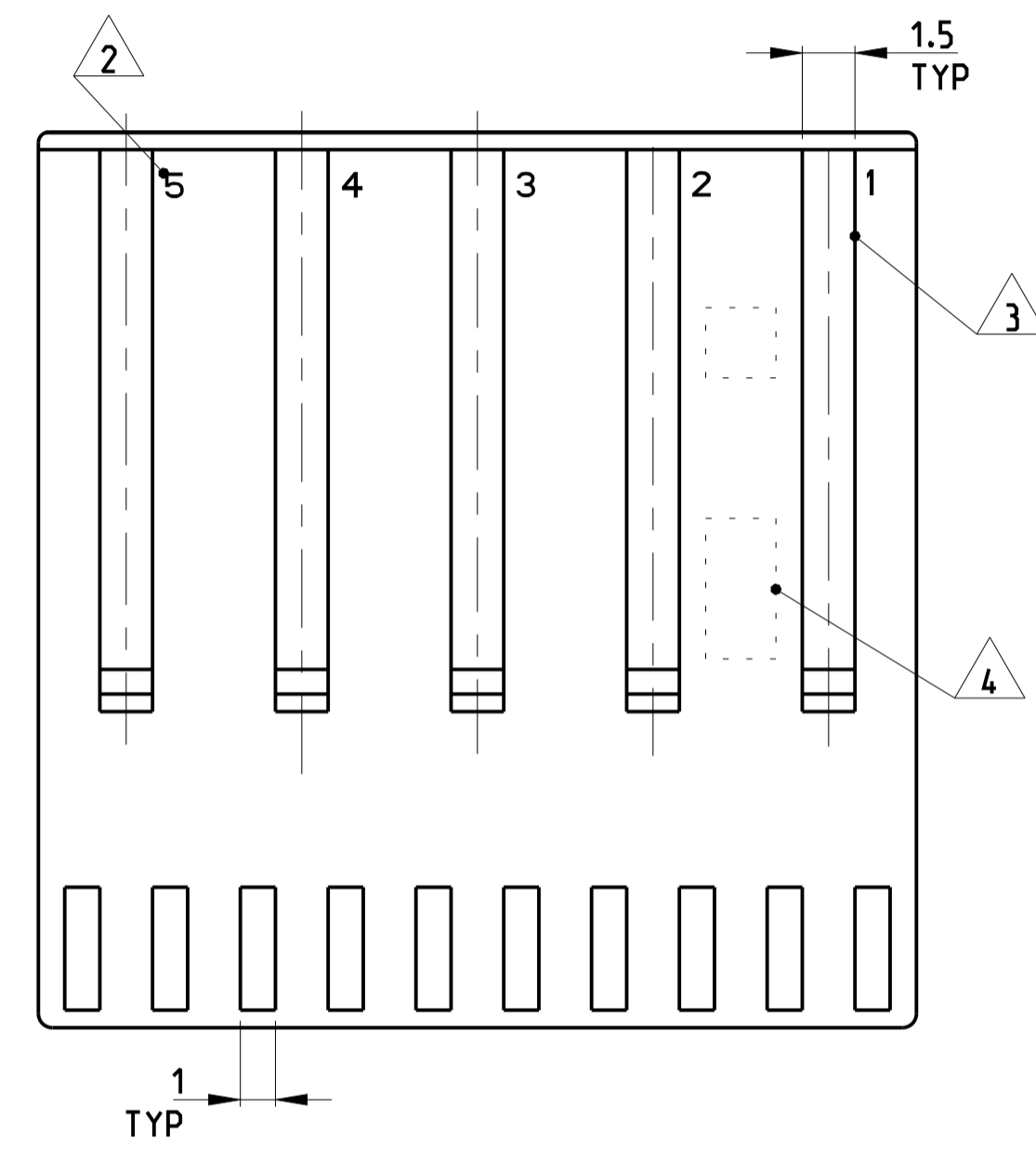
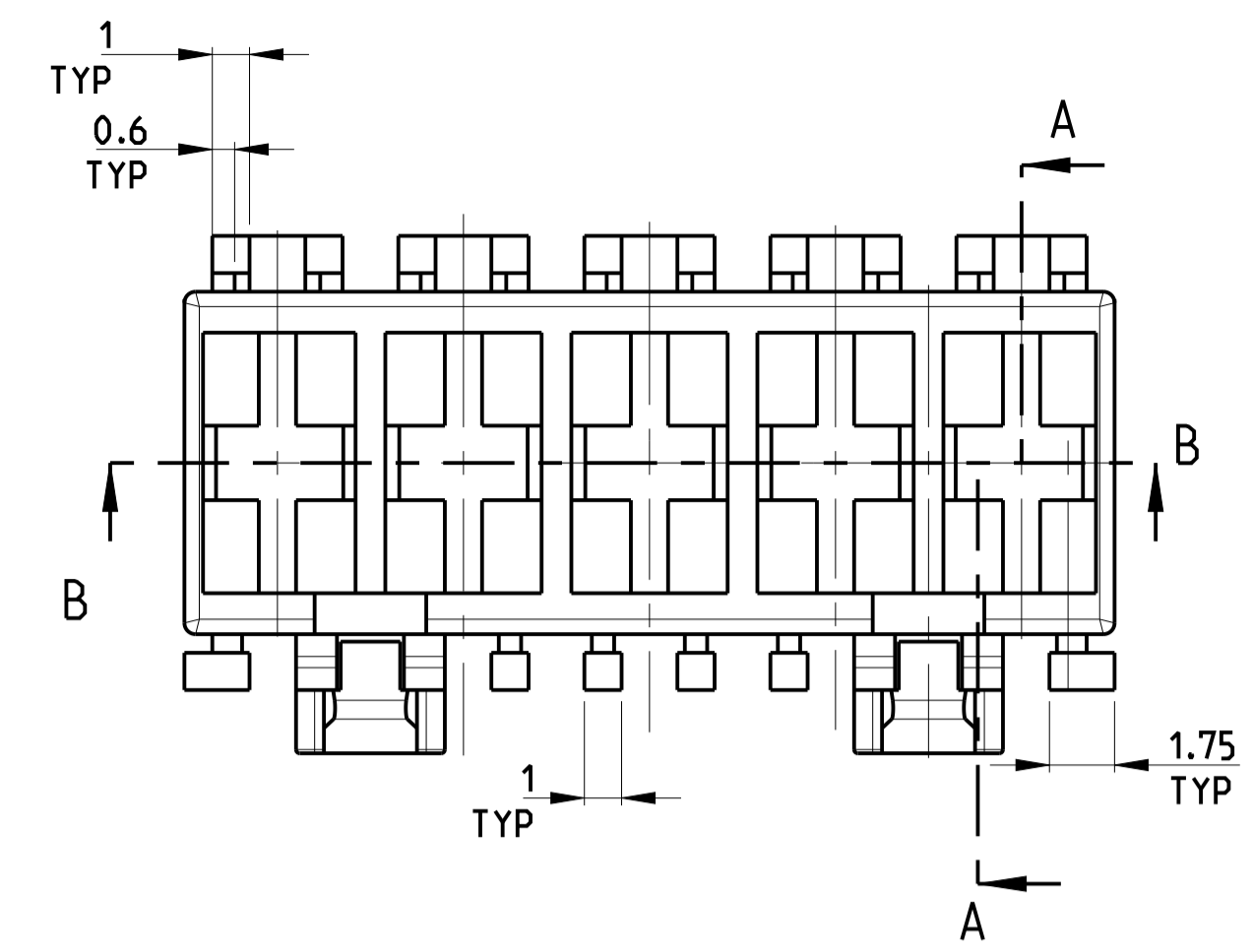
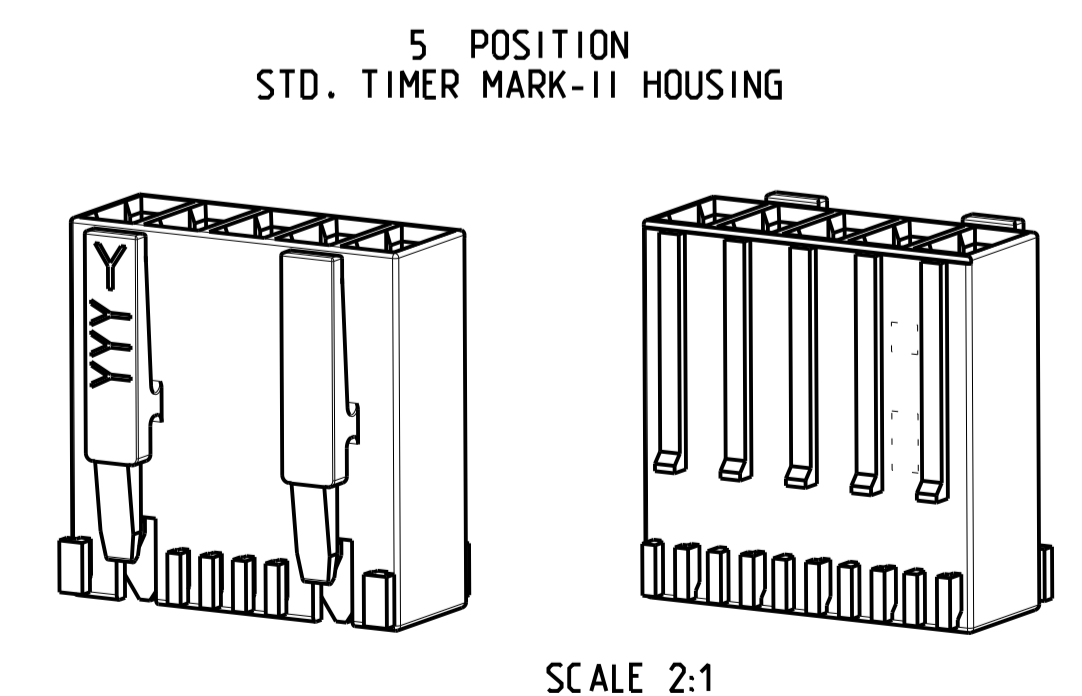


LOC		DIST		REVISIONS			
AI	-	P	LTR	DESCRIPTION	DATE	DWH	APVD
E1	ECR-21-100139				12 JAN 2021	KD	FL
E2	ECR-21-100675				23 FEB 2021	KD	FL
E3	ECR-21-102870				20 MAY 2021	SM	FL
E4	ECR-21-103933				14 JUN 2021	PJ	FL

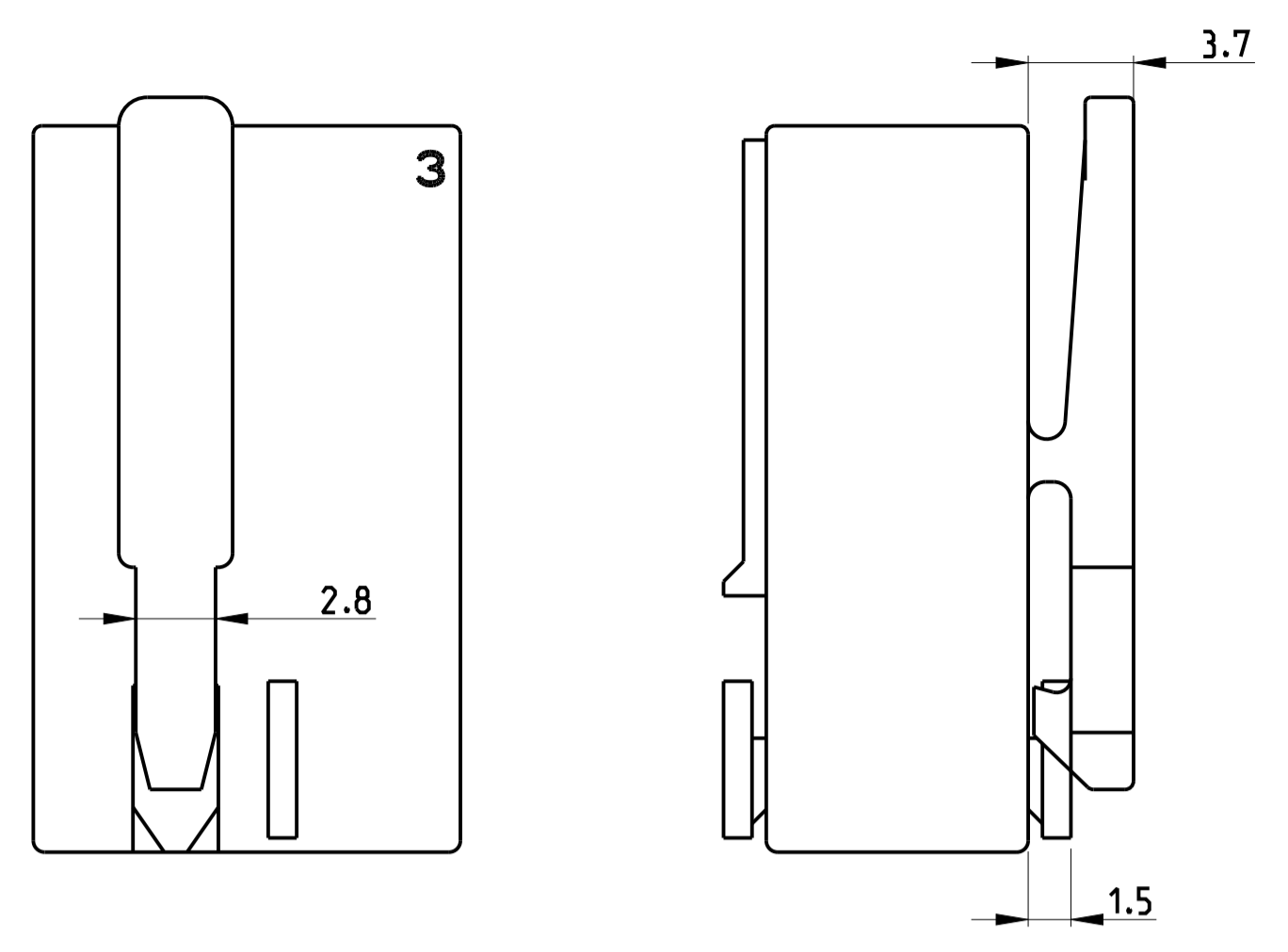


- REMARKS/Bemerkungen**
- 1 CAVITY SUITABLE FOR STANDARD TIMER CONTACTS LISTED IN PROD.SPEC. 108-18049. ITEM 3.3.2  
Kammer geeignet für Standard Timer Kontakte gelistet in Prod. Spec. 108-18049. Punkt 3.3.2
  - 2 CONTACT CAVITY NO.  
Kontaktkammernummerierung
  - 3 MATING STOP  
Tiefenanschlag
  - 4 AREA FOR TE LOGO ACC. TO SPEC 202-36  
Bereich für TE Logo nach Spec. 202-36
  - 5 POLARIZATION RIB POSITION "a" AND/OR "b"  
Polarisierungsrippe Position "a" und/oder "b"
  - 6 KEYING RIB POSITION "c" AND/OR "d"  
Kodierrippe Position "c" und/oder "d"
  - 6a KEYING RIB POSITION "c" AND/OR "d" AT THE END WALLS OF THE HOUSING  
Kodierrippe Position "c" und/oder "d" an den Gehäusestirnseiten
  - 7 LOCKING LATCH  
Rasthaken
  - 8 TE PART NO (PN)  
TE Bestell Nr. (PN)
  - 9 DESIGN OF THE HOUSINGS ACC. TO RAST 5 STANDARD  
Gehäuseausführung gemäss RAST 5 Vorgabe
  - 10 GENERAL SUITABLE TAB HEADER SEE RAST 5 PERFORMANCE  
Generell passende Flachsteckerwannen siehe RAST 5 Vorgabe
  - 11 PACKAGING: BULK PACKAGING IN CORRUGATED BOX PN 740580-2  
2 POS. 2500 PIECES PER BOX / 3 POS. 2000 PIECES PER BOX  
Verpackung: Schüttgut in Versandkarton Pn 740580-2  
2pol. 2500 Stück per Karton / 3pol. 2000 Stück per Karton
  - 12 DIMENSION A, B C AND D SEE SHEET 2 OF 3
  - 13 MATERIAL CORRESPONDS TO THE REQUIREMENT EN 60335  
(INCL. GLOW WIRE TEST 750° WITHOUT FLAME)  
Material entspricht den Anforderungen der EN 60335  
(inkl. Glühdrahttest 750° ohne Flamme)
  - 14 RATIO NUMBER OF THE KEYING VERSION, INKJET PRINTED. SEE SHEET 2  
Kodierungskennnummer, mit Tintenstrahldrucker aufgebracht. siehe Blatt 2
  - 15 PRELIMINARY- NOT RELEASED FOR PRODUCTION
  - 16 ONLY FOR 9-1241961-7. DIMENSION 3.2 -0.2
  - 17 DOUBLE SOURCE RESIN: ALTERNATIVE RESIN UNDER APPROVAL
  - 18 ALLOWED 25±0.2 FOR P/Ns X-2364739-X.



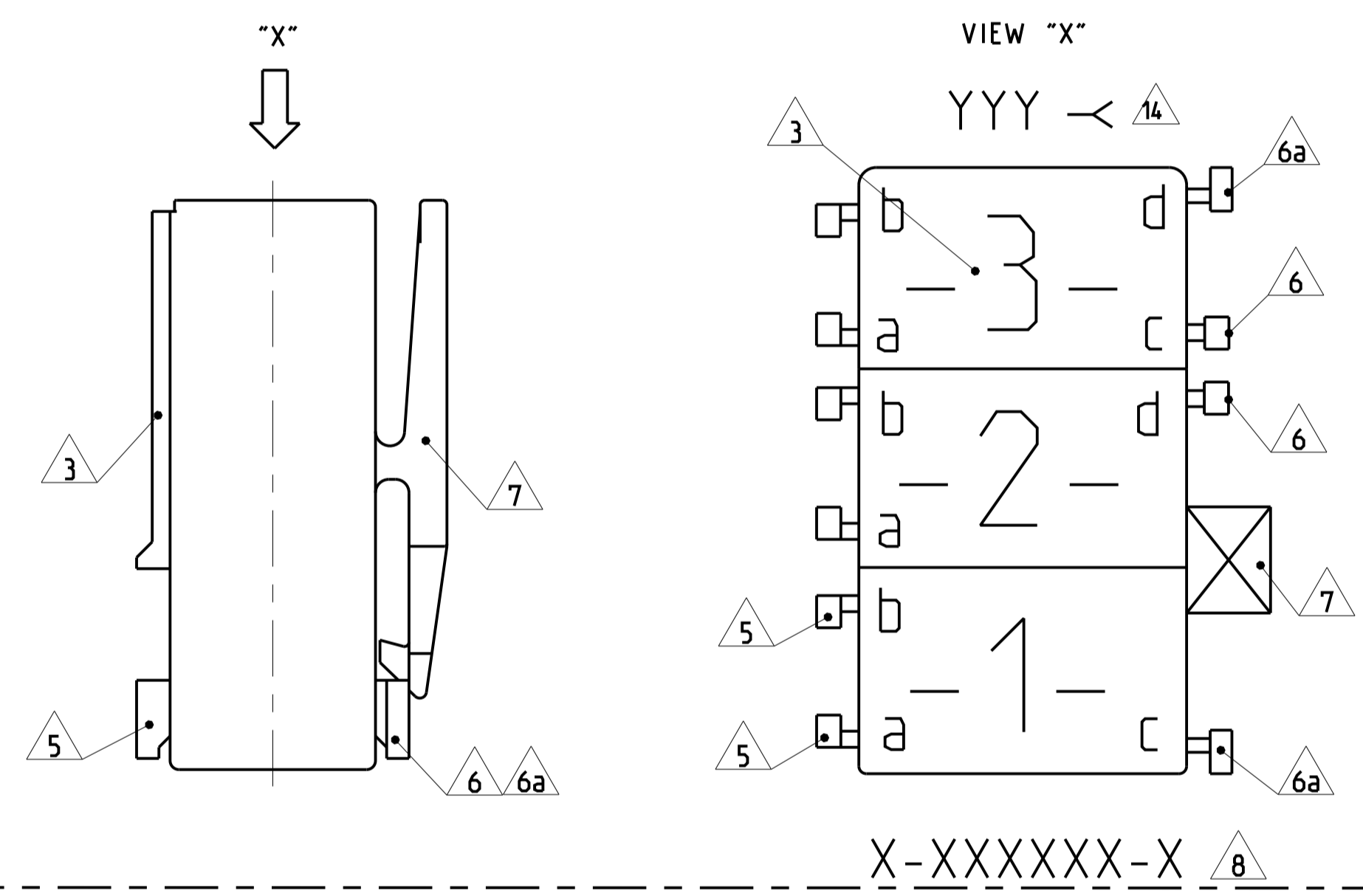
THIS DRAWING IS A CONTROLLED DOCUMENT.		DWH: Kishor M 18-10-07		TE Connectivity	
DIMENSIONS: mm		CHK: K. Murtz 18-10-07		NAME: STANDARD TIMER HSG. RAST 5 MARK II Standard Timer Gehäuse RAST 5 Mark II	
TOLERANCES UNLESS OTHERWISE SPECIFIED:		APPD: T. Klanner 18-10-07	PRODUCT SPEC: 108-18049-1		
0 PLC ±0.2 1 PLC ±0.2 2 PLC ±0.2 3 PLC ±0.2 4 PLC ±0.2 5 PLC ±0.2 ANGLES ±° FINISH -		PRODUCT SPEC: 108-18049-1 APPLICATION SPEC:	SIZE: A1		
MATERIAL: SEE TABLES, SHEETS PAGE 2 AND 3 OF 4		WEIGHT: -	CAGE CODE: 00779		DRAWING NO: 1241961
		Customer Drawing	SCALE: 5:1		SHEET 1 OF 4 REV E4

ONLY 5-1241961-7, 1-1241961-9, 7-1241961-7, 2345753-1



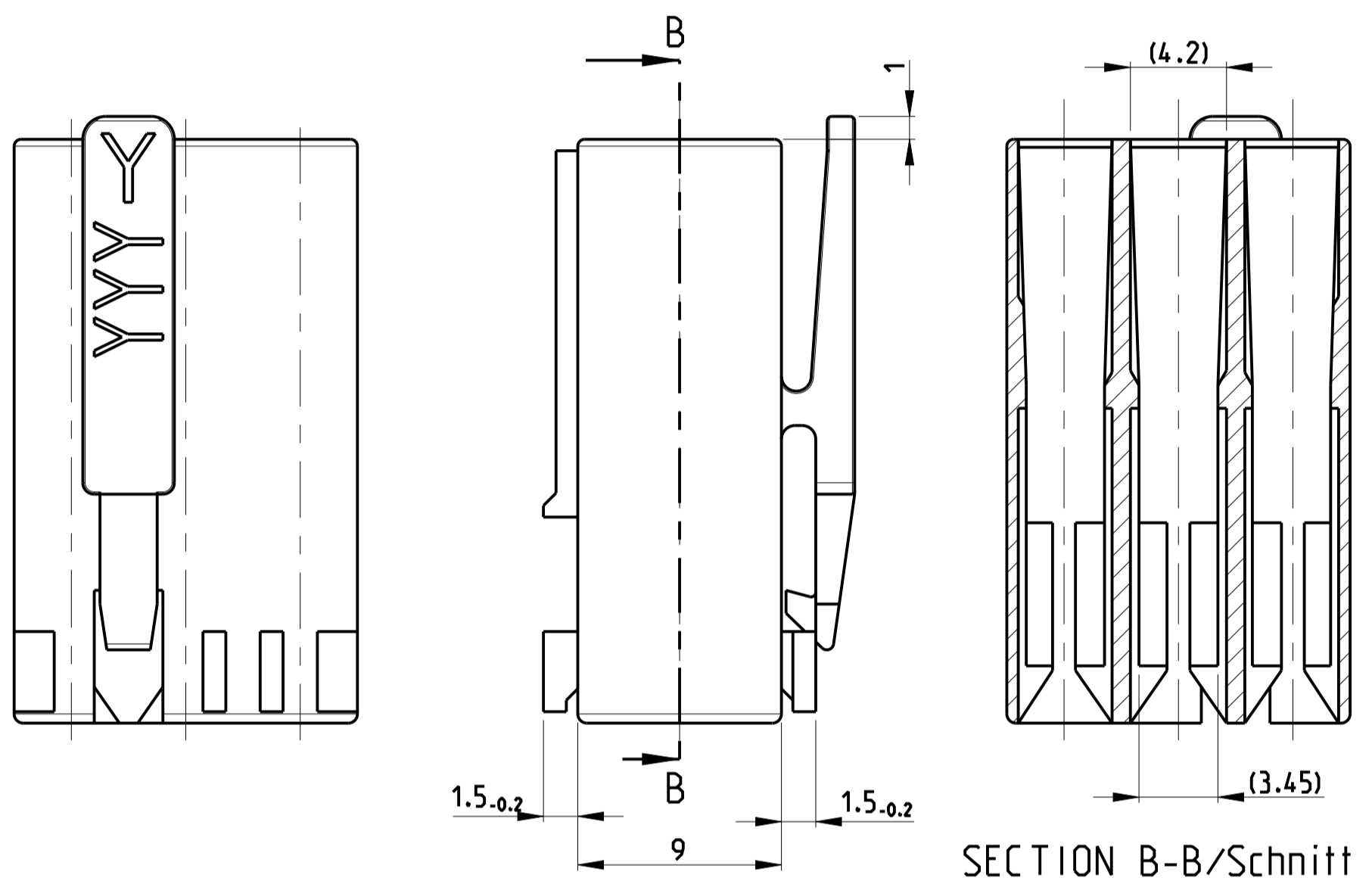
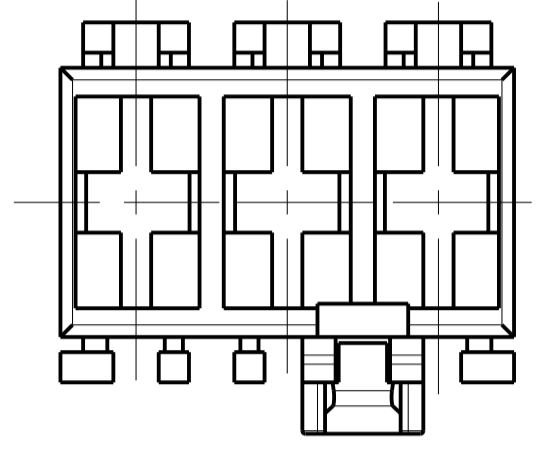
ALL OTHER DIMENSIONS SEE SHEET 1 OF 3

KEY LAYOUT DESCRIPTION



PAY ATTENTION !  
DIFFERENT CAVITY GEOMETRY AND LOCKING LATCH OVERHANG  
Bitte beachten !  
Unterschiedliche Kammergeometrie und Rasthakenuberstand.

FOR 2 POS. AND 3 POS.



ALL OTHER DIMENSIONS SEE SHEET 1 OF 3  
Alle anderen Masse siehe Seite 1 von 3

SPECIAL MATERIAL: UL94 V0								
PART NO	POS.	DIM C	DIM D	DIM A	DIM B	MATERIAL	COLOUR	REV.
2345753-1	3	6	1	15	10	PA66	NATURAL	C
SPECIAL MATERIAL								
1955507-4	4	6	1	20	15	PA66	NATURAL	1
9-1955506-2	2	6	1	10	5	UL 94 V0	NATURAL	1
6-1241961-7	3			15	10	PA 6 UL94V-2	NATURAL	1
4-1241961-7	3			15	10	PA 6 UL94V-2	NATURAL	13
3-1241961-7	3	4	0.5	15	10	PA 6 UL94V-2	NATURAL	13
1-1955422-7	3			15	10	PA 66 UNFILLED UL94 V0	NATURAL	A
5-1955422-7	3			15	10	PA 66 UNFILLED UL94 V0	NATURAL	A
4-1955422-3	2	6	1	10	5	PA 66 UNFILLED UL94 V0	NATURAL	A
2-1241817-3	3	4 or 6	0.5 or 1	15	10	PA 66 UL94 V-2	Green	E
0-1955422-6	3			15	10	PA 66 UNFILLED UL94 V0	NATURAL	A
8-1241961-8	3			15	10	PA 6 UL94V-2	natural	13
0-1241961-8	3			15	10	PA 6 UL94V-2	natural	13
8-1241961-3	2	4	0.5	10	5	PA 6 UL94V-2	NATURAL	13
3-1241961-1	2			10	5	PA 6 UL94V-2	NATURAL	13
0-1955422-1	2			10	5	PA 66 UNFILLED UL94 V0	NATURAL	A

SPECIAL VERSION: UL94 V0 & GWT 750NF							
PART NO	POS.	DIM C	DIM D	DIM A	DIM B	MATERIAL	COLOUR
2178571-3	4			20	15	PA 66. UL94 V-0	NATURAL
2178571-1	3	4	1	15	10	PA 66. UL94 V-0	NATURAL
2178571-2	2	4	1	10	5	PA 66. UL94 V-0	NATURAL
1-2178571-3	3	4	1	15	10	PA 66. UL94 V-0	NATURAL

REVISIONS									
NO.	DATE	DESCRIPTION	DATE	BY	APPD.				
SEE SHEET-01									
0-1241959-5	5	25	20		B				
4-1241959-4	4	20	15		A				
2-1241959-4	4	20	15		B				
0-1241959-4	4	20	15						
2-1241817-5	5	6	1	25	20				
0-1241817-5	4	0.5		25	20				
3-1241817-4	4	0.5		20	15				
2-1241817-4	4	6	1	20	15				
0-1241817-4	4	0.5		20	15				
2-1241983-2				10	5				
1-1241983-2				10	5				
0-1241983-2	2	4	0.5	10	5				
8-1241983-2				10	5				
5-1241983-3				10	5				
6-1241983-2				10	5				
9-1241961-7				4	0.5				
9-1241961-8				4	0.5				
6-1241961-8				4 or 6	0.5 or 1				
5-1241961-8				4	0.5				
4-1241961-8				4 or 6	0.5 or 1				
7-1241961-8				4	0.5				
1-1241961-8				4 or 6	0.5 or 1				
3-1241961-8				6	1				
2-1241961-8				15	10				
2-1241961-7				15	10				
1-1241961-7				15	10				
9-1241961-9				15	10				
0-1241961-6				15	10				
3-1241961-3				10	5				
2-1241961-2				10	5				
5-1241961-2				10	5				
4-1241961-3				10	5				
7-1241961-2				10	5				
7-1241961-3				10	5				
6-1241961-3				10	5				
3-1241961-2				10	5				
5-1241961-3				10	5				
6-1241961-2				10	5				
0-1241961-3				10	5				
8-1241961-2				10	5				
9-1241961-2				10	5				
0-1241961-1				10	5				
9-969484-9	3	6	1	15	10				
2-969484-8				15	10				
4-969484-8				15	10				
0-969484-8				15	10				
9-969484-7				15	10				
8-969484-7				4	0.5				
7-969484-7				15	10				
6-969484-7				15	10				
5-969484-7				4	0.5				
4-969484-7				15	10				
3-969484-7				4	0.5				
2-969484-7				15	10				
1-969484-7				3	4				
0-969484-7				15	10				
9-969484-6				15	10				
8-969484-6				6	1				
7-969484-6				15	10				
6-969484-6				15	10				
5-969484-6				15	10				
4-969484-6				15	10				
3-969484-6				6	1				
2-969484-6				15	10				
1-969484-6				15	10				
0-969484-6				15	10				
9-969484-3				10	5				
8-969484-3				10	5				
7-969484-3				10	5				
6-969484-3				10	5				
5-969484-3				10	5				
4-969484-3				10	5				
3-969484-3				10	5				
2-969484-3				10	5				
1-969484-3				10	5				
0-969484-3				10	5				
9-969484-2				10	5				
8-969484-2				10	5				
7-969484-2				10	5				
6-969484-2				4	0.5				
5-969484-2				10	5				
4-969484-2				10	5				
3-969484-2				10	5				
2-969484-2				10	5				
1-969484-2				10	5				
0-969484-2				10	5				
9-969484-1				6	1				
8-969484-1				4	1				
7-969484-1				10	5				
6-969484-1				6	1				
5-969484-1				10	5				
4-969484-1				6	1				
3-969484-1				10	5				
2-969484-1				4	0.5				
1-969484-1				10	5				
0-969484-1				10	5				

THIS DRAWING IS A CONTROLLED DOCUMENT. DWN: Kishor M. 18-10-07  
CHK: K. Murty. 18-10-07  
APPR: T. Klenner. 18-10-07

STANDARD TIMER HSG. RAST 5 MARK II  
Standard Timer Gehäuse RAST 5 Mark II

SIZE: A1  
SCALE: 5:1  
SHEET: 2 OF 4  
REV: E4

LOC	DIST	REVISIONS			
P	LTR	DESCRIPTION	DATE	DWN	APVD
		SEE SHEET 1			

SPECIAL VERSION: UL94 V0 & GWEPT 750°C NF

Part No.	POS	Dim C	Dim D	Dim A	Dim B	Material	Colour	Rev.
2364739-5	5	4	0.5	25	20	PA66	BLUE	C
2364739-4	4	4	0.5	20	15	PA66	BLUE	C
1-2364739-3	3	4	0.5	15	10	PA66	BLUE	C
2364739-3	3	4	0.5	15	10	PA66	BLUE	C
1-2364739-2	2	4	0.5	10	5	PA66	BLUE	C
2364739-2	2	4	0.5	10	5	PA66	BLUE	C
3-2364739-2	2	4	0.5	10	5	PA66	BLUE	C
2-2364739-2	2	4	0.5	10	5	PA66	BLUE	C

SPECIAL VERSION: UL94 V0 & GWT 750 NF & CTI 350

Part No.	POS	Dim C	Dim D	Dim A	Dim B	Material	Colour	Rev.
5-1241961-7	3	6	1	15	10	PA66	NATURAL	A
1-1241961-9	3	6	1	15	10	PA66	NATURAL	A
7-1241961-7	3	6	1	15	10	PA66	NATURAL	A

SPECIAL VERSION: UL94 V0 & GWT 750 NF

Part No.	POS	Dim C	Dim D	Dim A	Dim B	Material	Colour	Rev.
2322164-1	4	4	0.5	20	15	PA66	NATURAL	1

SPECIAL VERSION: UL94 V2 & GWT 750 NF

Part No.	POS	Dim C	Dim D	Dim A	Dim B	Material	Colour	Rev.
6-2178575-7	3	4	0.5	15	10	PA6 GF15	NATURAL	A

SPECIAL VERSION: UL94 V0 & GWT 750 NF

Part No.	POS	Dim C	Dim D	Dim A	Dim B	Material	Colour	Rev.
3-2178412-7	3	6	1	15	10	PA66	NATURAL	1
4-2178412-7	3	6	1	15	10	UL94 V0 & GWT 750 NF	NATURAL	1
8-2178412-2	2	6	1	10	5	UL94 V0 & GWT 750 NF	NATURAL	1

UL94 V0 & GWT 750 NF

Part No.	POS	Dim C	Dim D	Dim A	Dim B	Material	Colour	Rev.
2322917-4	4	4	0.5	20	15	PA66	NATURAL	C
2322917-2	2	4	0.5	10	5	PA66	NATURAL	C
2315717-1	2	4	0.5	10	5	PA66	NATURAL	C
2315717-2	2	4	0.5	10	5	PA66	NATURAL	C
2315717-3	2	4	0.5	10	5	PA66	NATURAL	C
1-2315717-2	2	4	0.5	10	5	PA66	NATURAL	1
2-2315717-2	2	4	0.5	10	5	PA66	NATURAL	1
2315717-4	4	4	0.5	20	15	PA66	NATURAL	C
2315717-5	4	4	0.5	20	15	PA66	NATURAL	C
2315717-6	3	4	0.5	15	10	PA66	NATURAL	C
2315717-7	3	4	0.5	15	10	PA66	NATURAL	C
1-2315717-3	3	4	0.5	15	10	PA66	NATURAL	E

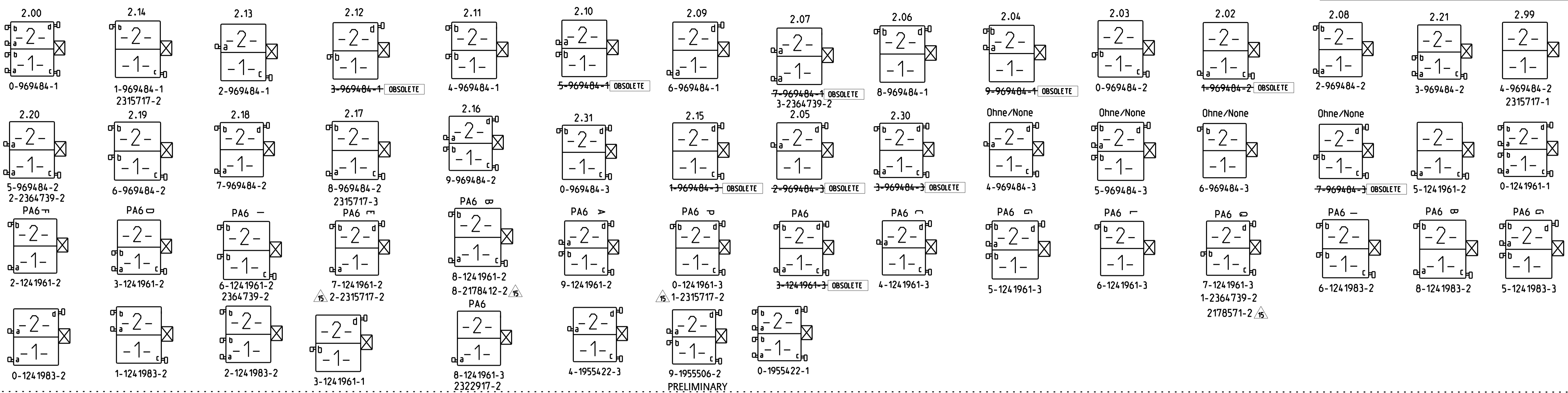
THIS DRAWING IS A CONTROLLED DOCUMENT.

DIMENSIONS: mm	TOLERANCES UNLESS OTHERWISE SPECIFIED:	DRW: Kishor M 18-10-07	CHK: K. Muniz 18-10-07	APVD: T. Klennner 18-10-07	NAME: STANDARD TIMER HSG. RAST 5 MARK II Standard Timer Gehäuse RAST 5 Mark II
0 PLC ±0.2	1 PLC ±0.2	2 PLC ±0.2	3 PLC ±0.2	4 PLC ±	PRODUCT SPEC: 108-18049
ANGLES: *	FINISH: -	WEIGHT: -	SCALE: 5:1	SHEET: 3 OF 4	REV: E4

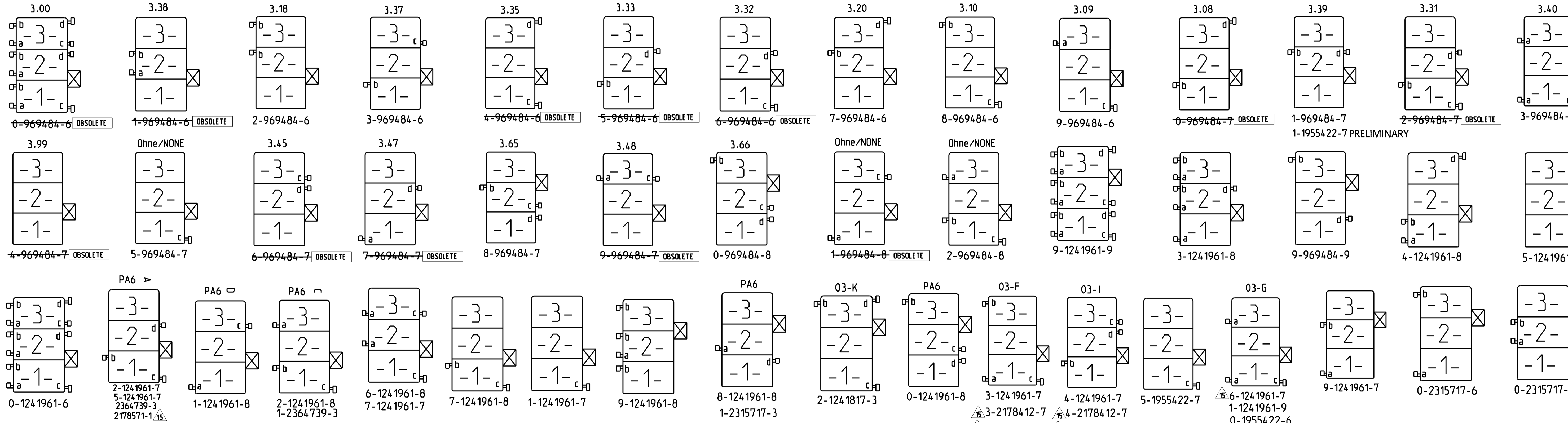
Customer Drawing

REVISONS		DATE	DRW	APVD
1	SEE SHEET-01			

### 2 POSITION VARIANTS

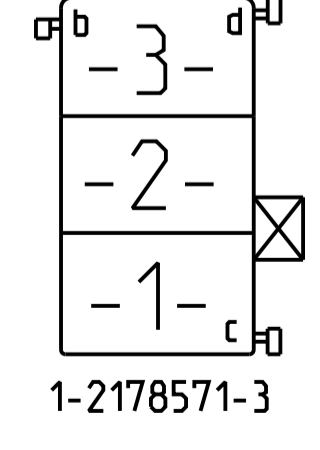
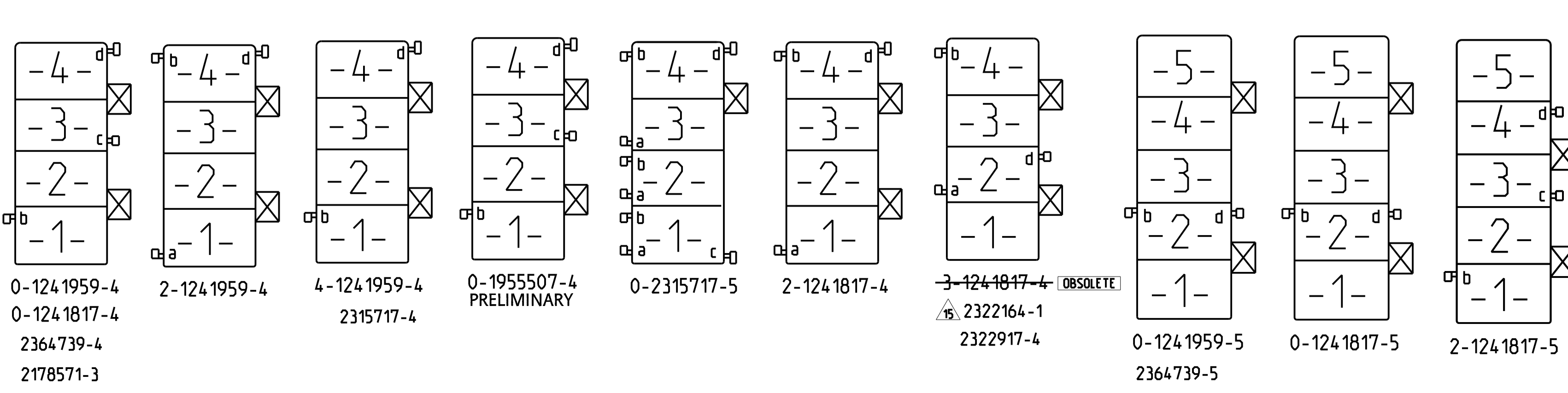


### 3 POSITION VARIANTS



### 4 POSITION VARIANTS

### 5 POSITION VARIANTS



THIS DRAWING IS A CONTROLLED DOCUMENT.		DRW: Kishor M. 18-10-07	 TE Connectivity	NAME: STANDARD TIMER HSG. RAST 5 MARK II Standard Timer Gehäuse RAST 5 Mark II
DIMENSIONS: mm		CHK: K. Murtz 18-10-07		PRODUCT SPEC: 108-18049
TOLERANCES UNLESS OTHERWISE SPECIFIED:		APVD: T. Klöpper 18-10-07		APPLICATION SPEC: -
0 PLC ±0.2 1 PLC ±0.2 2 PLC ±0.2 3 PLC ±0.2 4 PLC ±0.2 ANGLES ±°		MATERIAL: SEE TABLES, SHEETS PAGE 2 AND 3 OF 4 WEIGHT: - FINISH: -		SIZE: A1 CAGE CODE: 00779 DRAWING NO: 1241961 RESTRICTED TO: -
Customer Drawing			SCALE: 5:1	SHEET: 4 OF 6

# Mouser Electronics

Authorized Distributor

Click to View Pricing, Inventory, Delivery & Lifecycle Information:

[TE Connectivity:](#)

[5-1241961-8](#)