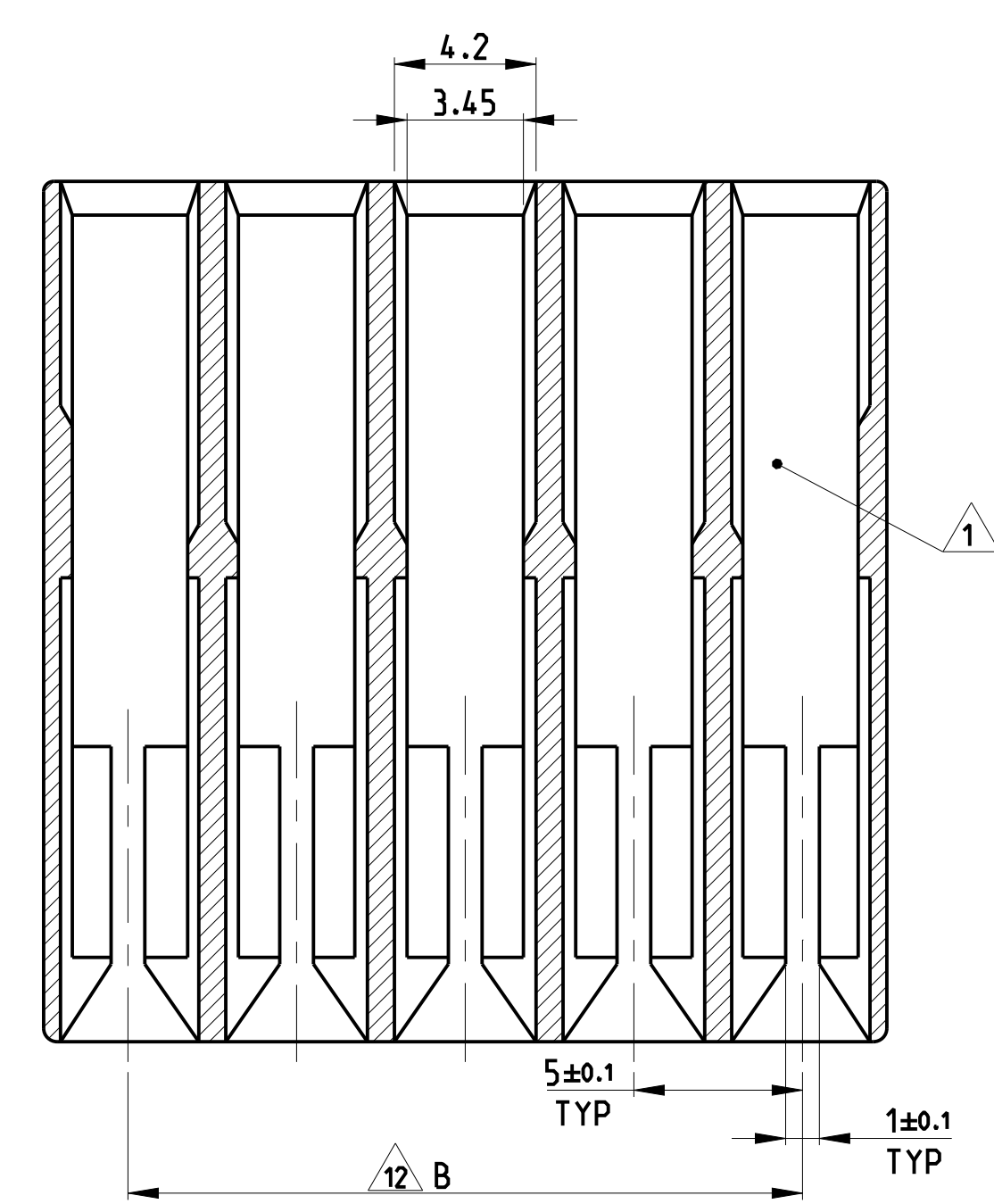
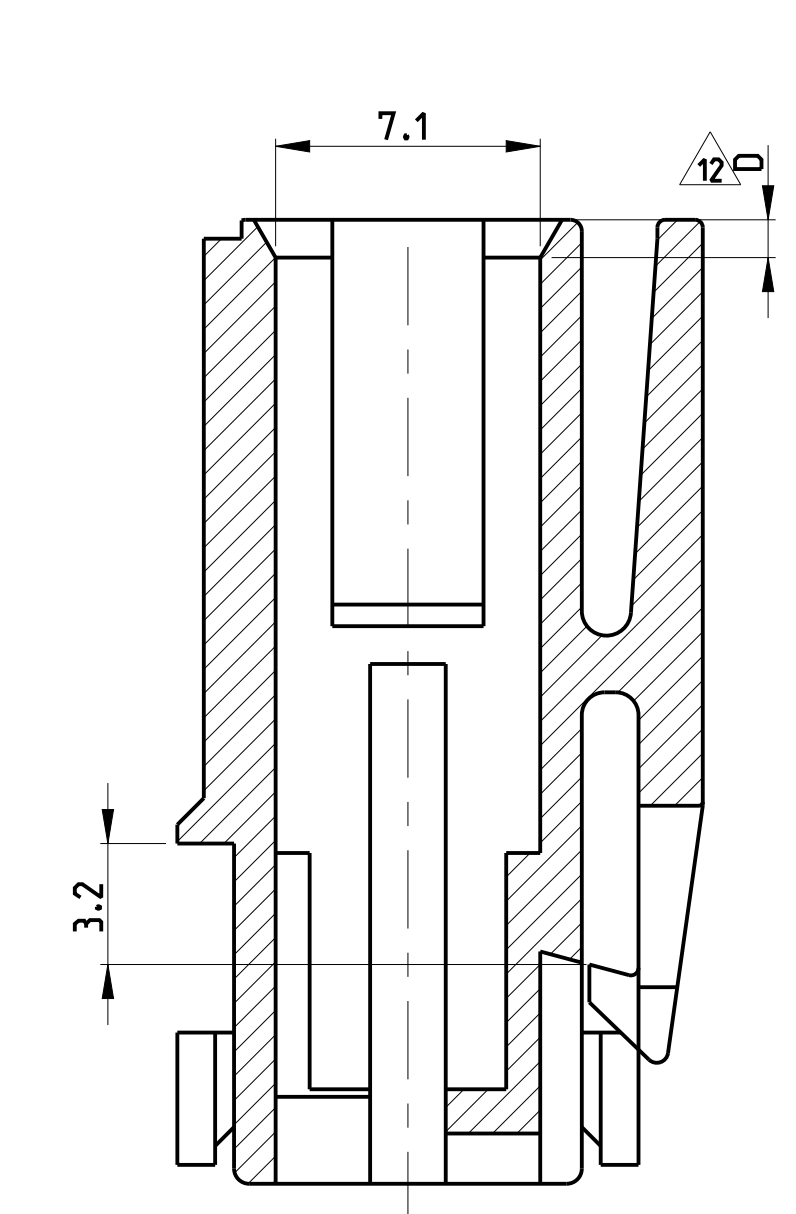
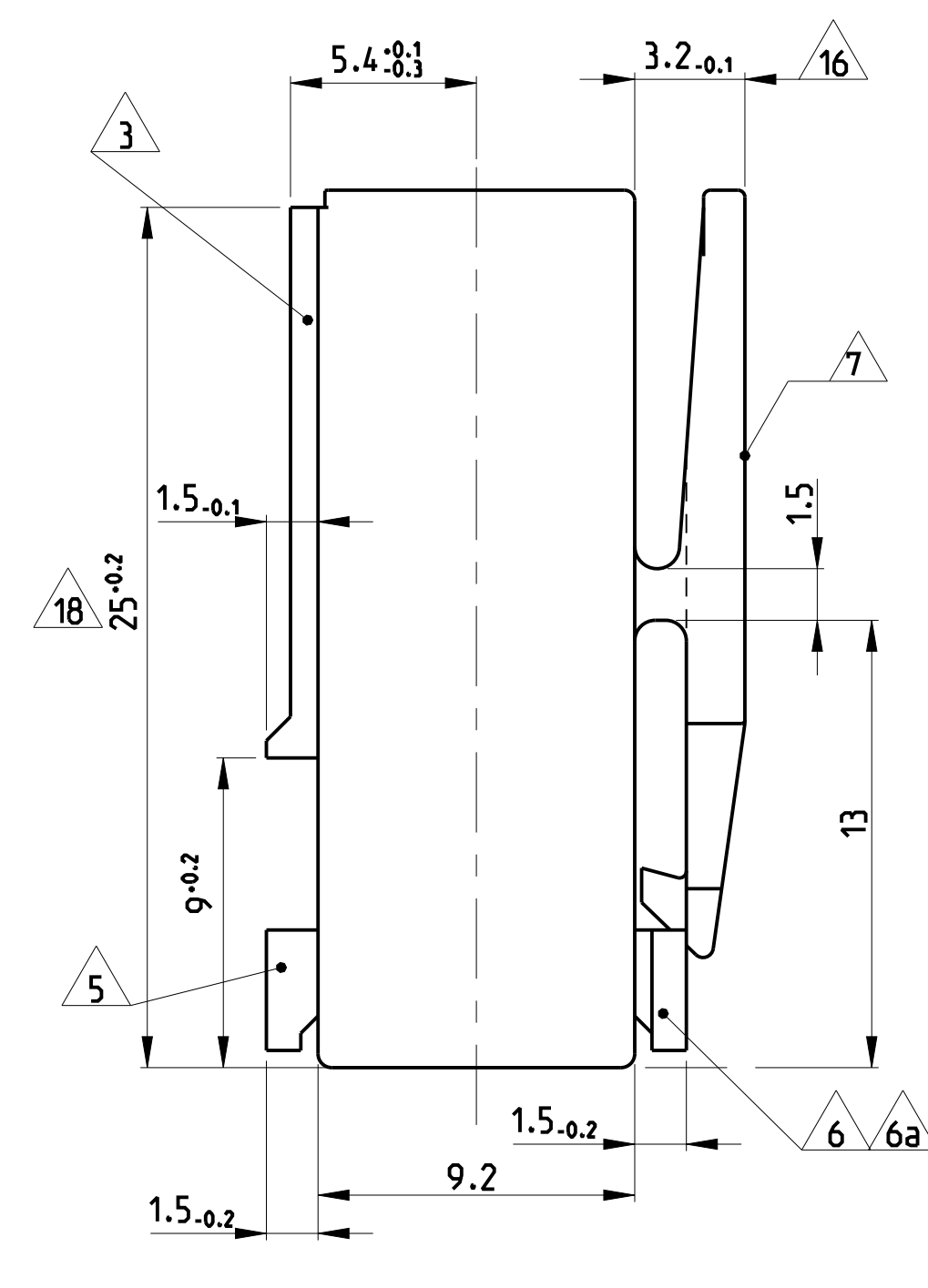
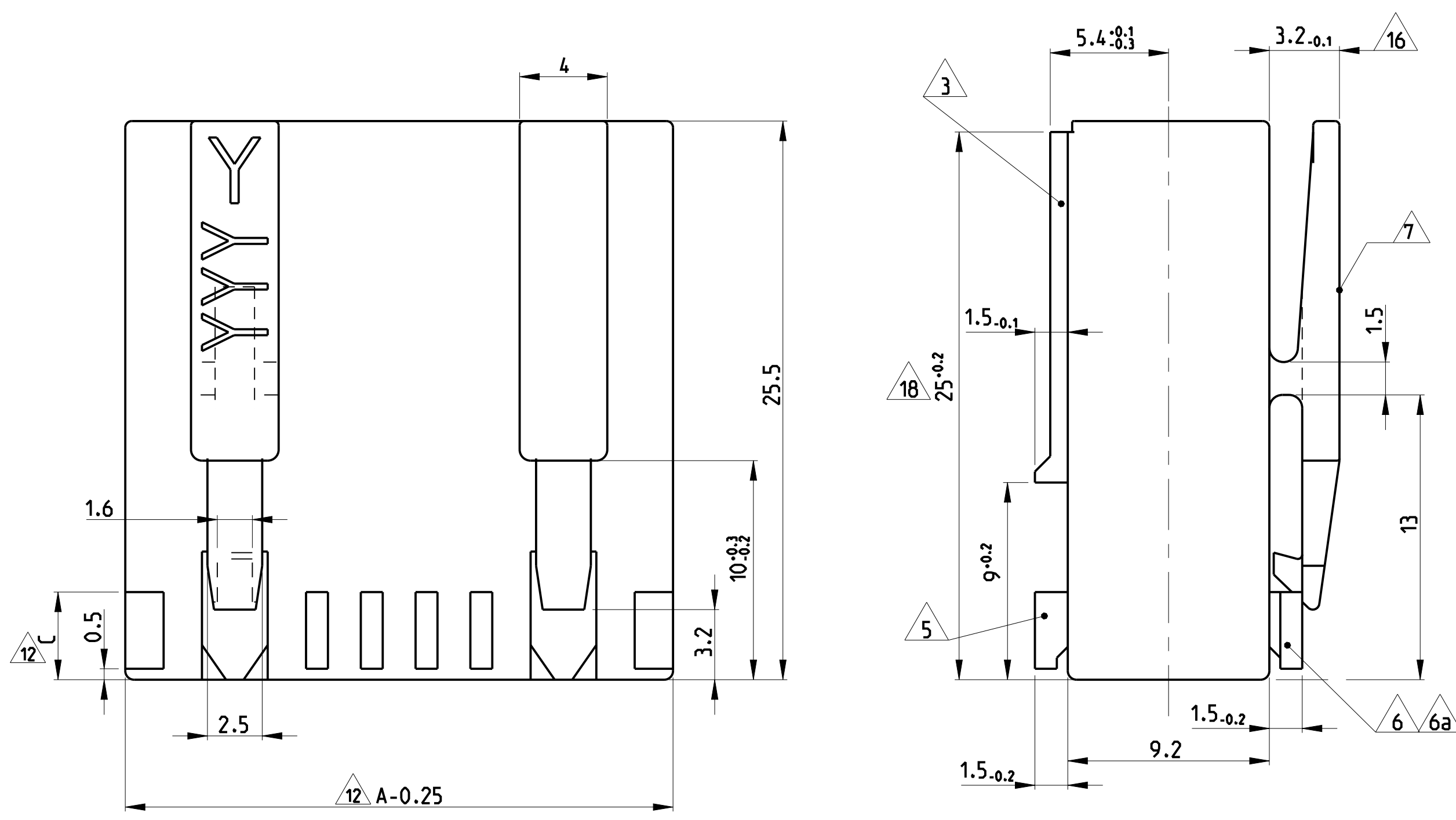
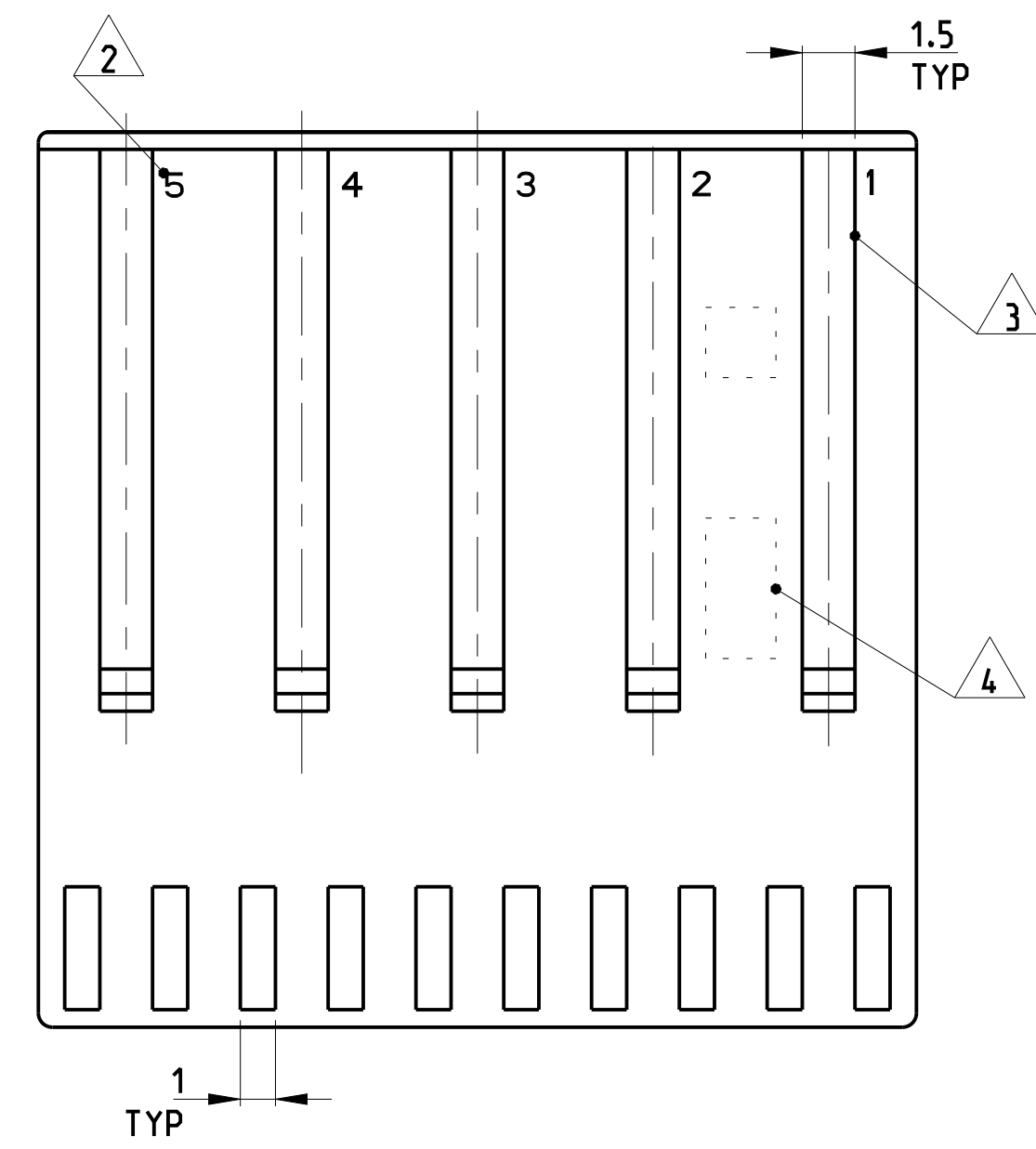
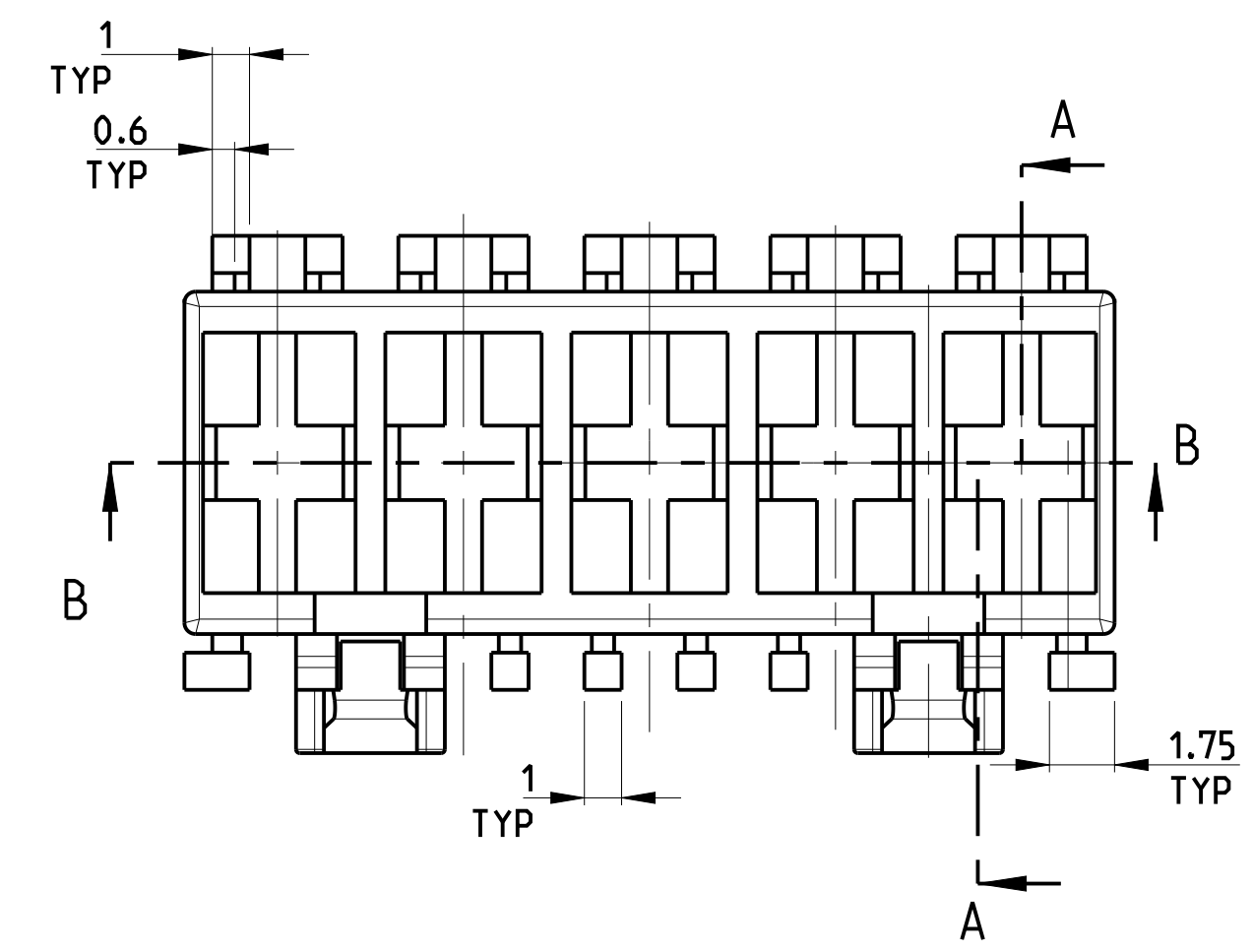
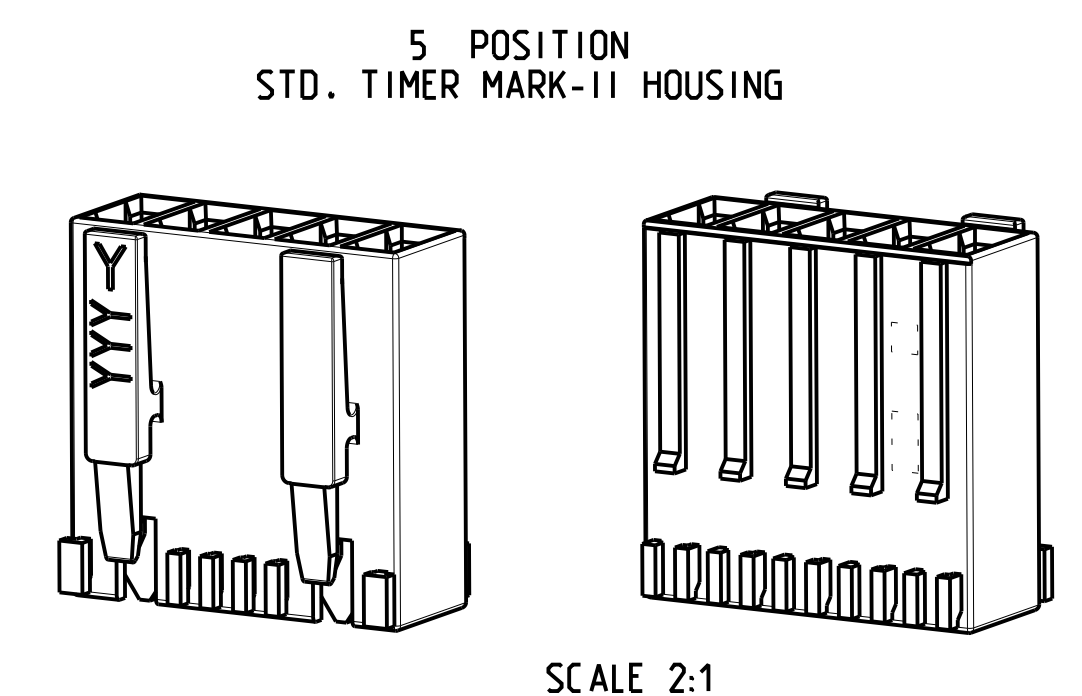


LOC		DIST		REVISIONS			
E1	ECR-21-100139			12 JAN 2021	KD	FL	
E2	ECR-21-100675			23 FEB 2021	KD	FL	
E3	ECR-21-102870			20 MAY 2021	SM	FL	
E4	ECR-21-103933			14 JUN 2021	PJ	FL	

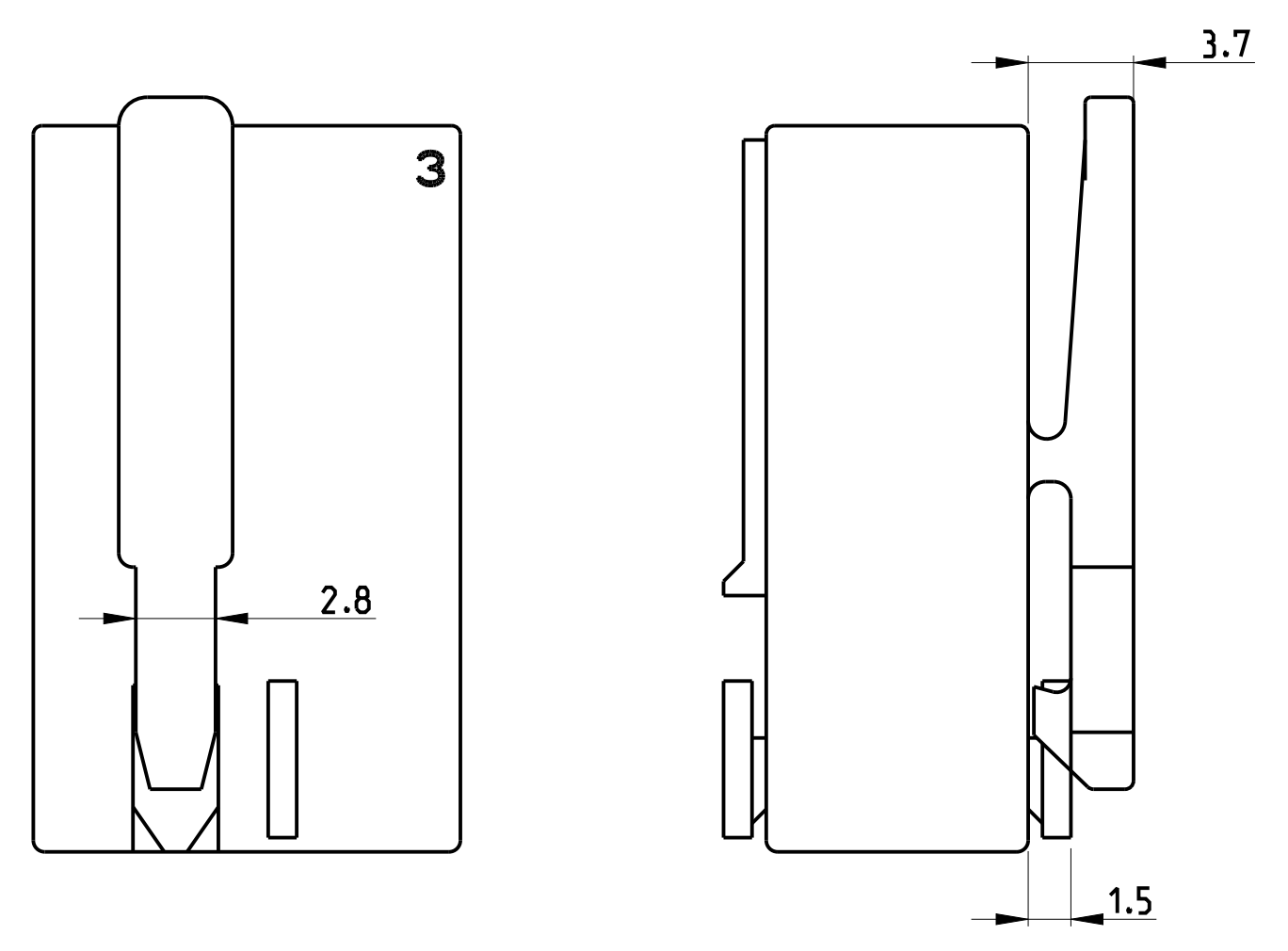


- REMARKS/Bemerkungen**
- 1 CAVITY SUITABLE FOR STANDARD TIMER CONTACTS LISTED IN PROD.SPEC. 108-18049. ITEM 3.3.2
Kammer geeignet für Standard Timer Kontakte gelistet in Prod. Spec. 108-18049. Punkt 3.3.2
 - 2 CONTACT CAVITY NO.
Kontaktkammernummerierung
 - 3 MATING STOP
Tiefenanschlag
 - 4 AREA FOR TE LOGO ACC. TO SPEC 202-36
Bereich für TE Logo nach Spec. 202-36
 - 5 POLARIZATION RIB POSITION "a" AND/OR "b"
Polarisierungsrippe Position "a" und/oder "b"
 - 6 KEYING RIB POSITION "c" AND/OR "d"
Kodierrippe Position "c" und/oder "d"
 - 6a KEYING RIB POSITION "c" AND/OR "d" AT THE END WALLS OF THE HOUSING
Kodierrippe Position "c" und/oder "d" an den Gehäusestirnseiten
 - 7 LOCKING LATCH
Rasthaken
 - 8 TE PART NO (PN)
TE Bestell Nr. (PN)
 - 9 DESIGN OF THE HOUSINGS ACC. TO RAST 5 STANDARD
Gehäuseausführung gemäss RAST 5 Vorgabe
 - 10 GENERAL SUITABLE TAB HEADER SEE RAST 5 PERFORMANCE
Generell passende Flachsteckerwannen siehe RAST 5 Vorgabe
 - 11 PACKAGING: BULK PACKAGING IN CORRUGATED BOX PN 740580-2
2 POS. 2500 PIECES PER BOX / 3 POS. 2000 PIECES PER BOX
Verpackung: Schüttgut in Versandkarton Pn 740580-2
2pol. 2500 Stück per Karton / 3pol. 2000 Stück per Karton
 - 12 DIMENSION A, B C AND D SEE SHEET 2 OF 3
 - 13 MATERIAL CORRESPONDS TO THE REQUIREMENT EN 60335
(INCL. GLOW WIRE TEST 750° WITHOUT FLAME)
Material entspricht den Anforderungen der EN 60335
(inkl. Glühdrahttest 750° ohne Flamme)
 - 14 RATIO NUMBER OF THE KEYING VERSION, INKJET PRINTED. SEE SHEET 2
Kodierungskennnummer, mit Tintenstrahldrucker aufgebracht. siehe Blatt 2
 - 15 PRELIMINARY- NOT RELEASED FOR PRODUCTION
 - 16 ONLY FOR 9-1241961-7. DIMENSION 3.2 -0.2
 - 17 DOUBLE SOURCE RESIN: ALTERNATIVE RESIN UNDER APPROVAL
 - 18 ALLOWED 25±0.2 FOR P/Ns X-2364739-X.



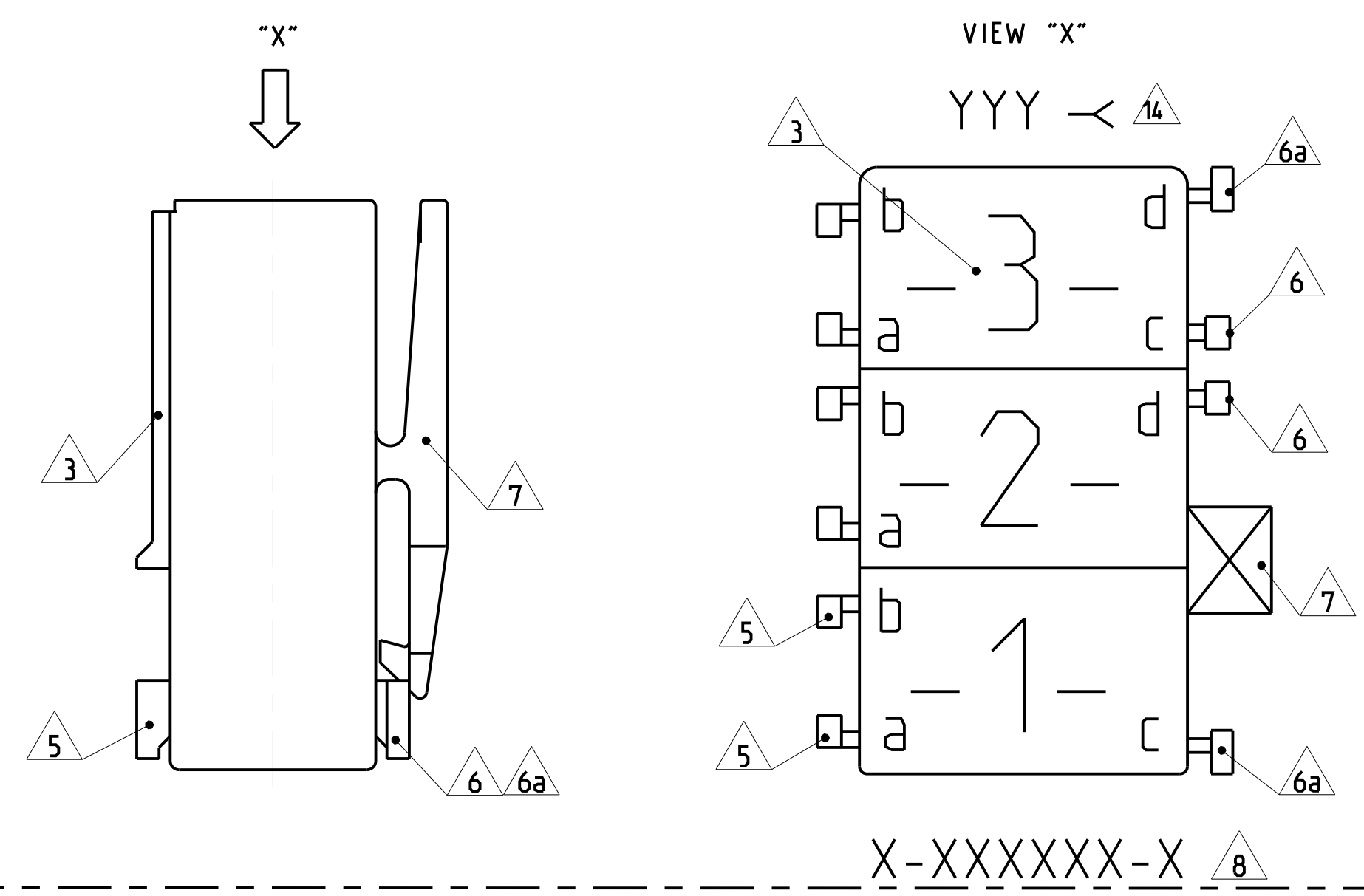
THIS DRAWING IS A CONTROLLED DOCUMENT.		DWG: Kishor M 18-10-07		TE Connectivity																	
DIMENSIONS: mm		CHK: K. MURZ 18-10-07		NAME: STANDARD TIMER HSG. RAST 5 MARK II																	
TOLERANCES UNLESS OTHERWISE SPECIFIED:		APPD: T. Klöpper 18-10-07	PRODUCT SPEC: 108-18049-1																		
<table border="1"> <tr><td>0 PLC</td><td>±0.2</td></tr> <tr><td>1 PLC</td><td>±0.2</td></tr> <tr><td>2 PLC</td><td>±0.2</td></tr> <tr><td>3 PLC</td><td>±0.2</td></tr> <tr><td>4 PLC</td><td>±0.2</td></tr> <tr><td>5 PLC</td><td>±0.2</td></tr> <tr><td>ANGLES</td><td>±</td></tr> <tr><td>FINISH</td><td>±*</td></tr> </table>		0 PLC	±0.2	1 PLC	±0.2	2 PLC	±0.2	3 PLC	±0.2	4 PLC	±0.2	5 PLC	±0.2	ANGLES	±	FINISH	±*	APPROVAL: [Signature]	APPLICATION SPEC: 108-18049-1		
0 PLC	±0.2																				
1 PLC	±0.2																				
2 PLC	±0.2																				
3 PLC	±0.2																				
4 PLC	±0.2																				
5 PLC	±0.2																				
ANGLES	±																				
FINISH	±*																				
MATERIAL: SEE TABLES, SHEETS PAGE 2 AND 3 OF 4		WEIGHT: -	RESTRICTED TO: -																		
Customer Drawing		SIZE: A1	CAGE CODE: 00779		DRAWING NO: 1241961																
		SCALE: 5:1	SHEET: 1 OF 4		REV: E4																

ONLY 5-1241961-7, 1-1241961-9, 7-1241961-7, 2345753-1



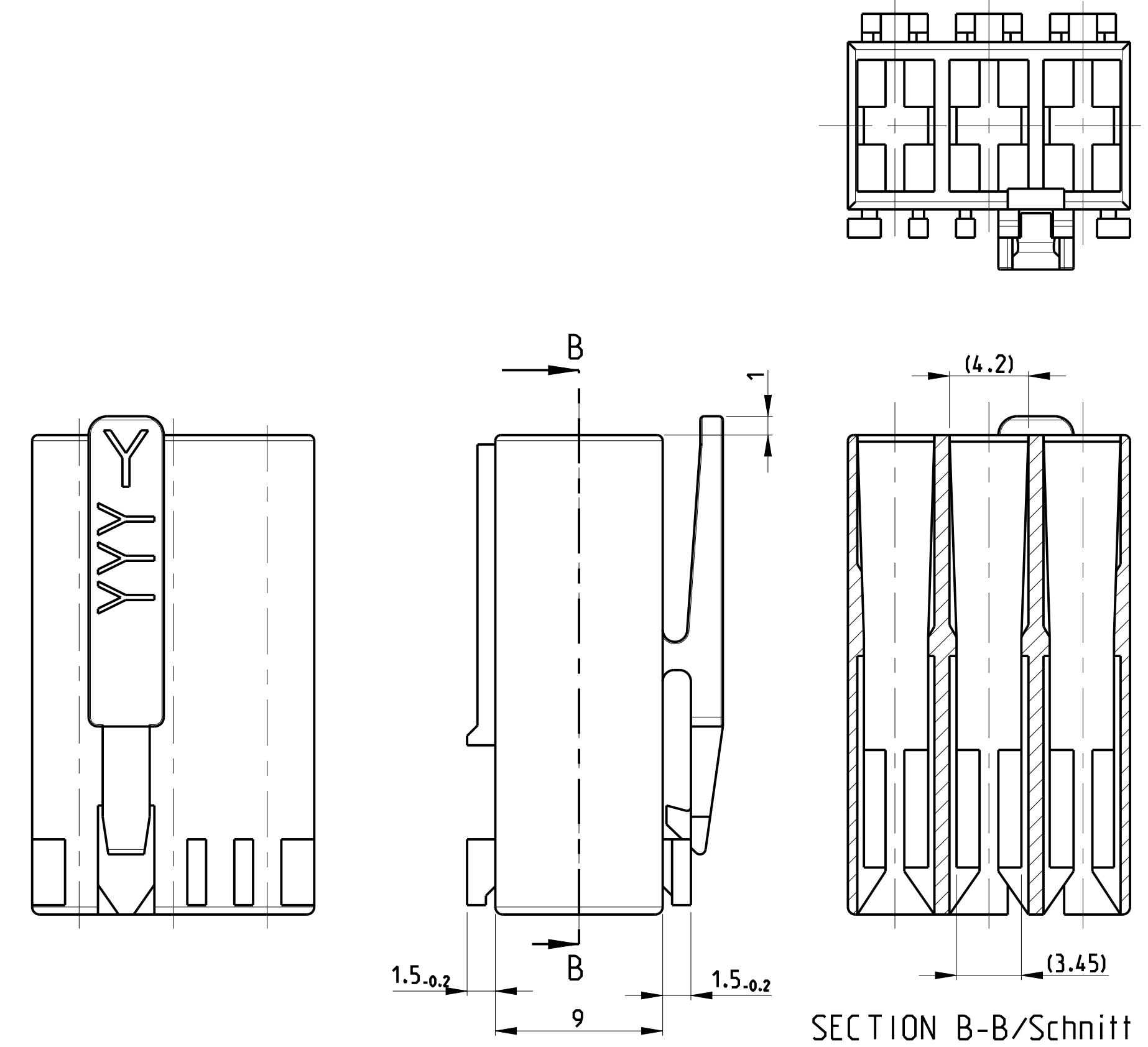
ALL OTHER DIMENSIONS SEE SHEET 1 OF 3

KEY LAYOUT DESCRIPTION



PAY ATTENTION !
DIFFERENT CAVITY GEOMETRY AND LOCKING LATCH OVERHANG
Bitte beachten !
Unterschiedliche Kammergeometrie und Rasthakenuberstand.

FOR 2 POS. AND 3 POS.



ALL OTHER DIMENSIONS SEE SHEET 1 OF 3
Alle anderen Masse siehe Seite 1 von 3

SPECIAL MATERIAL: UL94 V0								
PART NO	POS	DIM C	DIM D	DIM A	DIM B	MATERIAL	COLOUR	REV
2345753-1	3	6	1	15	10	PA66	NATURAL	C
SPECIAL MATERIAL								
1955507-4	4	6	1	20	15	PA66	NATURAL	1
9-1955506-2	2	6	1	10	5	UL 94 V0	NATURAL	1
6-1241961-7	3			15	10	PA 6 UL94V-2	NATURAL	1
4-1241961-7	3			15	10	PA 6 UL94V-2	NATURAL	A
3-1241961-7	3	4	0.5	15	10	PA 6 UL94V-2	NATURAL	A
1-1955422-7	3			15	10	PA 66 UNFILLED UL94 V0	NATURAL	A
5-1955422-7	3			15	10	PA 66 UNFILLED UL94 V0	NATURAL	A
4-1955422-3	2	6	1	10	5	PA 66 UNFILLED UL94 V0	NATURAL	A
2-1241817-3	3	4 or 6	0.5 or 1	15	10	PA 66 UL94 V-2	Green	E
0-1955422-6	3			15	10	PA 66 UNFILLED UL94 V0	NATURAL	A
8-1241961-8	3			15	10	PA 6 UL94V-2	natural	C
0-1241961-8	3			15	10	PA 6 UL94V-2	natural	A
8-1241961-3	2	4	0.5	10	5	PA 6 UL94V-2	NATURAL	C
3-1241961-1	2			10	5	PA 6 UL94V-2	NATURAL	C
0-1955422-1	2			10	5	PA 66 UNFILLED UL94 V0	NATURAL	A

SPECIAL VERSION: UL94 V0 & GWT 750NF							
PART NO	POS	DIM C	DIM D	DIM A	DIM B	MATERIAL	COLOUR
2178571-3	4			20	15	PA 66. UL94 V-0	NATURAL
2178571-1	3	4	1	15	10	PA 66. UL94 V-0	NATURAL
2178571-2	2			10	5	PA 66. UL94 V-0	NATURAL
1-2178571-3	3			15	10	PA 66. UL94 V-0	NATURAL

REVISIONS									
REV	DATE	DESCRIPTION	DATE	APPV					
SEE SHEET-01									
0-1241959-5	5	25	20	B					
4-1241959-4	4	20	15	A					
2-1241959-4	4	20	15	B					
0-1241959-4	4	20	15						
2-1241817-5	5	6	1	25	20	PA 6.6 UL94V-2	Natural/natur	C	
0-1241817-5	4	0.5	25	20					
3-1241817-4	4	0.5	20	15					
2-1241817-4	4	6	1	20	15				
0-1241817-4	4	0.5	20	15					
2-1241983-2	2	4	0.5	10	5	PA 6 UL94V-2	Green/grün Violet/violett TARGET RAL 4001 Yellow/gelb Black/schwarz Blue/blau Red/rot	C	
1-1241983-2	2	4	0.5	10	5				
0-1241983-2	2	4	0.5	10	5				
8-1241983-2	2	4	0.5	10	5				
5-1241983-3	2	4	0.5	10	5				
6-1241983-2	2	4	0.5	10	5				
9-1241961-7	3	4	0.5	15	10				
9-1241961-8	3	4	0.5	15	10				
6-1241961-8	3	4 or 6	0.5 or 1	15	10				
5-1241961-8	3	4	0.5	15	10				
4-1241961-8	3	4 or 6	0.5 or 1	15	10				
7-1241961-8	3	4	0.5	15	10				
1-1241961-8	3	4 or 6	0.5 or 1	15	10				
3-1241961-8	3	6	1	15	10				
2-1241961-8	3	6	1	15	10				
2-1241961-7	3	4	0.5	15	10				
1-1241961-7	3	4	0.5	15	10				
9-1241961-9	3	4	0.5	15	10				
0-1241961-6	3	4	0.5	15	10				
3-1241961-3	3	4	0.5	10	5				
2-1241961-2	3	4	0.5	10	5				
5-1241961-2	3	4	0.5	10	5				
4-1241961-3	3	4	0.5	10	5				
7-1241961-2	3	4	0.5	10	5				
7-1241961-3	3	4	0.5	10	5				
6-1241961-3	3	4	0.5	10	5				
3-1241961-2	3	4	0.5	10	5				
5-1241961-3	3	4	0.5	10	5				
6-1241961-2	3	4	0.5	10	5				
0-1241961-3	3	4	0.5	10	5				
8-1241961-2	3	4	0.5	10	5				
9-1241961-2	3	4	0.5	10	5				
0-1241961-1	3	4	0.5	10	5				
9-969484-9	3	6	1	15	10	PA 6.6 UL94V-2	Yellow/gelb		
2-969484-8	3	6	1	15	10				
4-969484-8	3	6	1	15	10				
0-969484-8	3	4 or 6	0.5 or 1	15	10				
9-969484-7	3	4	0.5	15	10				
8-969484-7	3	4	0.5	15	10				
7-969484-7	3	4	0.5	15	10				
6-969484-7	3	4	0.5	15	10				
5-969484-7	3	4	0.5	15	10				
4-969484-7	3	4	0.5	15	10				
3-969484-7	3	4	0.5	15	10				
2-969484-7	3	4	0.5	15	10				
1-969484-7	3	4	0.5	15	10				
0-969484-7	3	4	0.5	15	10				
9-969484-6	3	6	1	15	10				
8-969484-6	3	6	1	15	10				
7-969484-6	3	6	1	15	10				
6-969484-6	3	6	1	15	10				
5-969484-6	3	6	1	15	10				
4-969484-6	3	6	1	15	10				
3-969484-6	3	6	1	15	10				
2-969484-6	3	6	1	15	10				
1-969484-6	3	6	1	15	10				
0-969484-6	3	6	1	15	10				
9-969484-3	3	4	0.5	10	5				
8-969484-3	3	4	0.5	10	5				
7-969484-3	3	4	0.5	10	5				
6-969484-3	3	4	0.5	10	5				
5-969484-3	3	4	0.5	10	5				
4-969484-3	3	4	0.5	10	5				
3-969484-3	3	4	0.5	10	5				
2-969484-3	3	4	0.5	10	5				
1-969484-3	3	4	0.5	10	5				
0-969484-3	3	4	0.5	10	5				
9-969484-2	3	4	0.5	10	5				
8-969484-2	3	4	0.5	10	5				
7-969484-2	3	4	0.5	10	5				
6-969484-2	3	4	0.5	10	5				
5-969484-2	3	4	0.5	10	5				
4-969484-2	3	4	0.5	10	5				
3-969484-2	3	4	0.5	10	5				
2-969484-2	3	4	0.5	10	5				
1-969484-2	3	4	0.5	10	5				
0-969484-2	3	4	0.5	10	5				
9-969484-1	3	4	0.5	10	5				
8-969484-1	3	4	0.5	10	5				
7-969484-1	3	4	0.5	10	5				
6-969484-1	3	4	0.5	10	5				
5-969484-1	3	4	0.5	10	5				
4-969484-1	3	4	0.5	10	5				
3-969484-1	3	4	0.5	10	5				
2-969484-1	3	4	0.5	10	5				
1-969484-1	3	4	0.5	10	5				
0-969484-1	3	4	0.5	10	5				

THIS DRAWING IS A CONTROLLED DOCUMENT. DIMENSIONS: mm. TOLERANCES UNLESS OTHERWISE SPECIFIED: 0 PLC ±0.2, 1 PLC ±0.2, 2 PLC ±0.2, 3 PLC ±0.2, 4 PLC ±0.2, 5 PLC ±0.2, 6 PLC ±0.2, 7 PLC ±0.2, 8 PLC ±0.2, 9 PLC ±0.2. MATERIAL: SEE TABLES. SHEETS: PAGE 2 AND 3 OF 4. WEIGHT: -. CUSTOMER DRAWING. SCALE: 5:1. SHEET: 2 OF 4. REV: E4.

STANDARD TIMER HSG. RAST 5 MARK II
Standard Timer Gehäuse RAST 5 Mark II

00779 ©=1241961

LOC	DIST	REVISIONS			
P	LTN	DESCRIPTION	DATE	DWN	APVD
		SEE SHEET 1			

SPECIAL VERSION: UL94 V0 & GWEPT 750°C NF									
2364739-5	5	4	0.5	25	20	PA66 13 17	BLUE	C	
2364739-4	4			20	15		BLUE	C	
1-2364739-3	3			15	10		BLUE	C	
2364739-3				15	10		BLUE	C	
1-2364739-2	2			10	5		BLUE	C	
2364739-2				10	5		BLUE	C	
3-2364739-2	2			10	5		BLUE	C	
2-2364739-2				10	5		BLUE	C	


SPECIAL VERSION: UL94 V0 & GWT 750 NF & CTI 350									
5-1241961-7	3	6	1	15	10	PA66 13	NATURAL	A	
1-1241961-9	3			15	10		NATURAL	A	
7-1241961-7	3			15	10		NATURAL	A	

SPECIAL VERSION: UL94 V0 & GWT 750 NF									
2322164-1	4	4	0.5	20	15	PA66 13	NATURAL	1	

SPECIAL VERSION: UL94 V2 & GWT 750 NF									
6-2178575-7	3	4	0.5	15	10	PA6 GF15 13	NATURAL	A	

SPECIAL VERSION: UL94 V0 & GWT 750 NF									
3-2178412-7	3	6	1	15	10	PA66 13 UL94 V0 & GWT 750 NF	NATURAL	1	
4-2178412-7	3			15	10		NATURAL	1	
8-2178412-2	2			10	5		NATURAL	1	

UL94 V0 & GWT 750 NF											
2322917-4	4	4	0.5	20	15	PA66 UL94 V0 & GWT 750 NF 13	NATURAL	C			
2322917-2	2			10	5		NATURAL	C			
2315717-1	2			10	5		NATURAL	C			
2315717-2	2			10	5		NATURAL	C			
2315717-3	2			10	5		NATURAL	C			
1-2315717-2	2			10	5		NATURAL	1			
2-2315717-2	2			10	5		NATURAL	1			
2315717-4	4			20	15		NATURAL	C			
2315717-5	4			20	15		NATURAL	C			
2315717-6	3			15	10		NATURAL	C			
2315717-7	3			15	10		NATURAL	C			
1-2315717-3	3			15	10		NATURAL	E			
PART NO.	POS			DIM C	DIM D		DIMA	DIM B	MATERIAL	COLOUR	REV.

THIS DRAWING IS A CONTROLLED DOCUMENT.		Dwn: Kishor M. 18-10-07	 TE Connectivity
DIMENSIONS: mm		Chr: K. Munz 18-10-07	
TOLERANCES UNLESS OTHERWISE SPECIFIED:		APVD: Th. Klenner 18-10-07	NAME: STANDARD TIMER HSG. RAST 5 MARK II
0 PLC ±0.2 1 PLC ±0.2 2 PLC ±0.2 3 PLC ±0.2 4 PLC ±0.2 ANGLES ±° FINISH -		PRODUCT SPEC: 108-18049	Standard Timer Gehäuse RAST 5 Mark II
MATERIAL: SEE TABLES. SHEETS PAGE 2 AND 3 OF 4		RESTRICTED TO: Customer Drawing	SIZE: A1
SCALE: 5:1		WEIGHT: -	CAGE CODE: 00779
PAGE 2 AND 3 OF 4		DRAWING NO: 1241961	REV: E4
		SHEET: 3 OF 4	

Mouser Electronics

Authorized Distributor

Click to View Pricing, Inventory, Delivery & Lifecycle Information:

[TE Connectivity:](#)

[1-1955422-7](#)