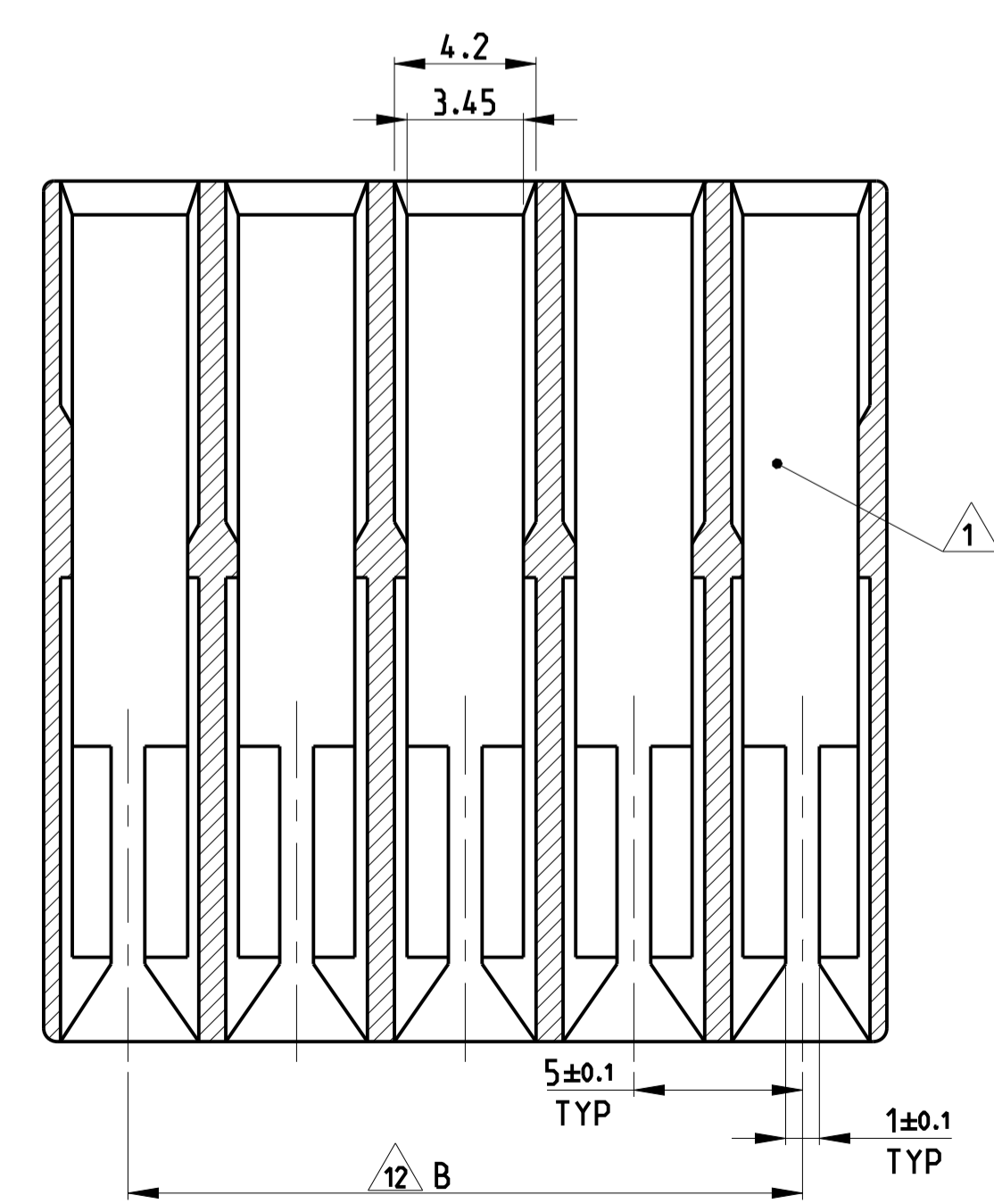
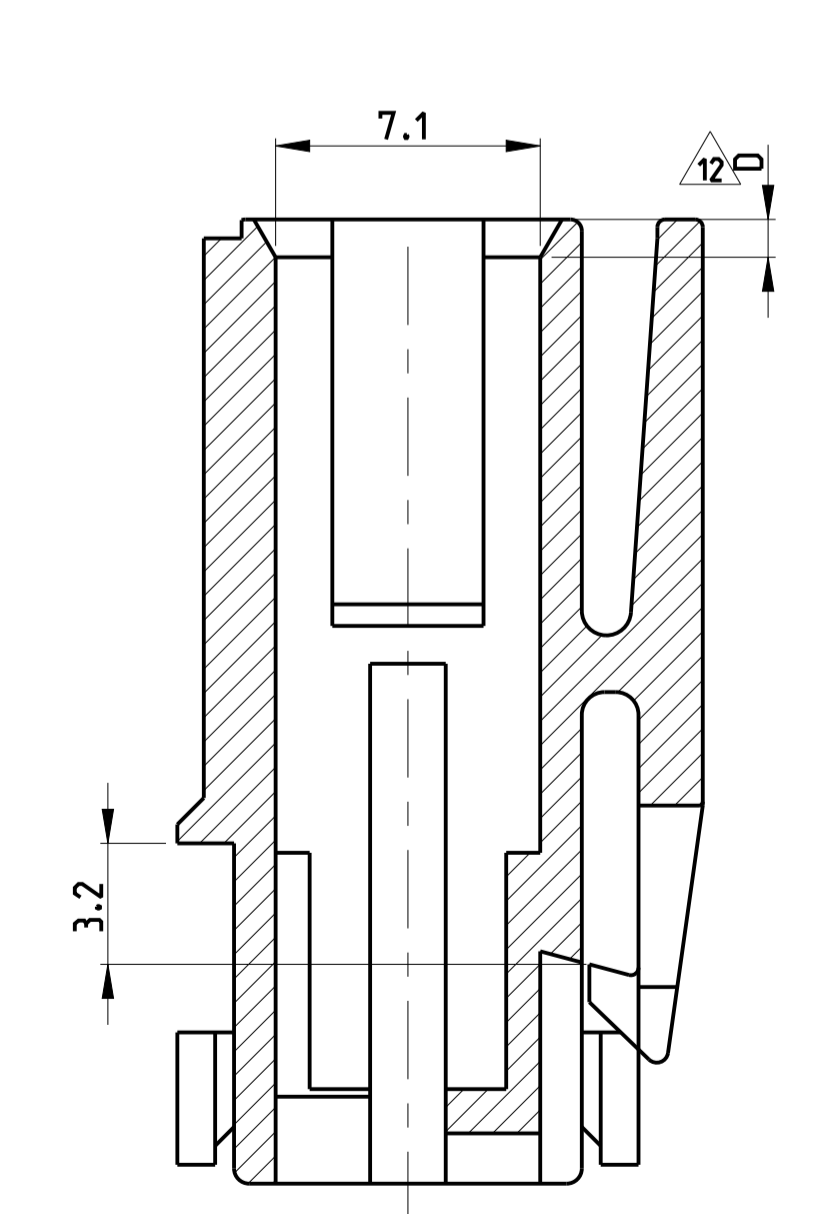
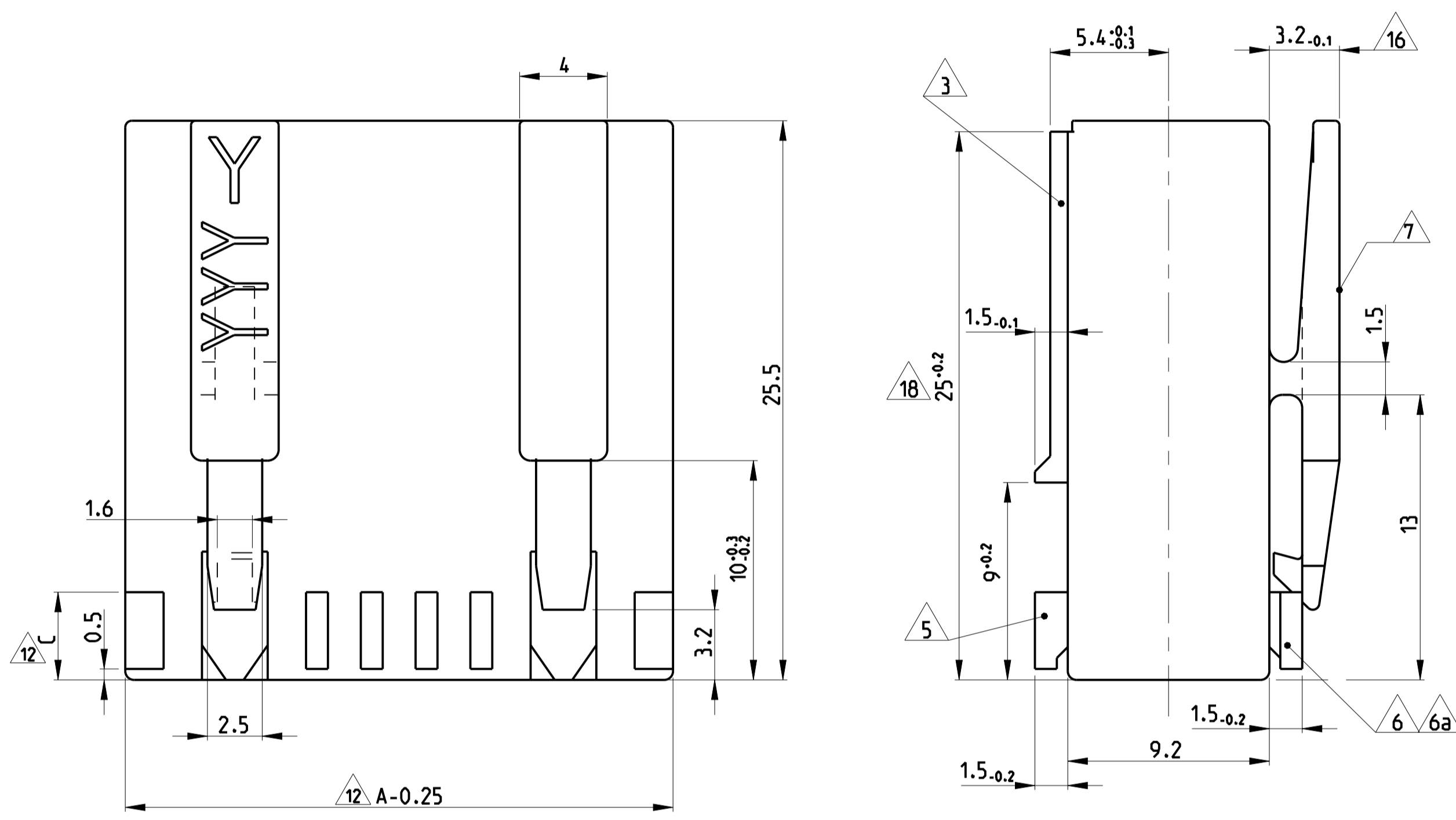
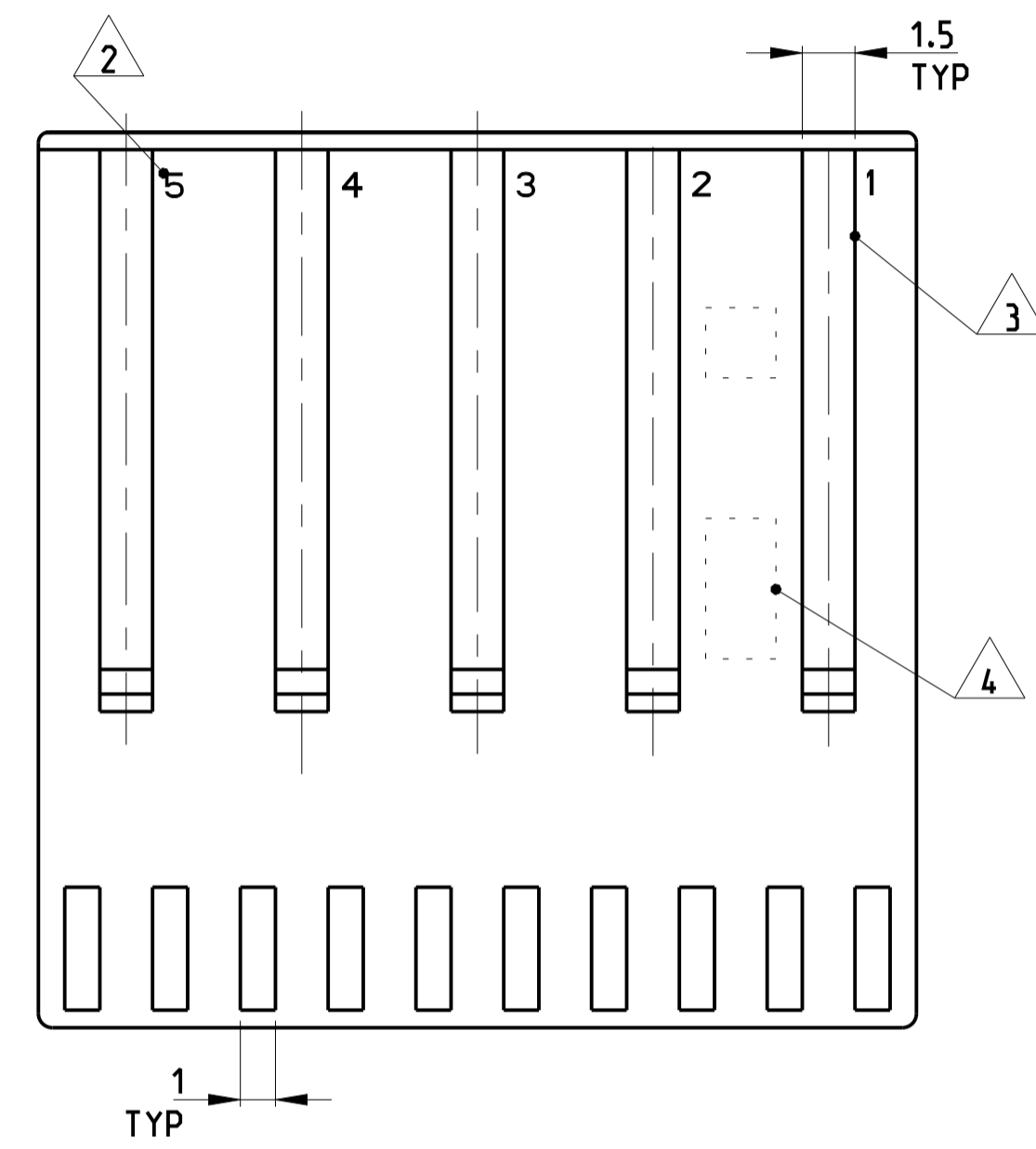
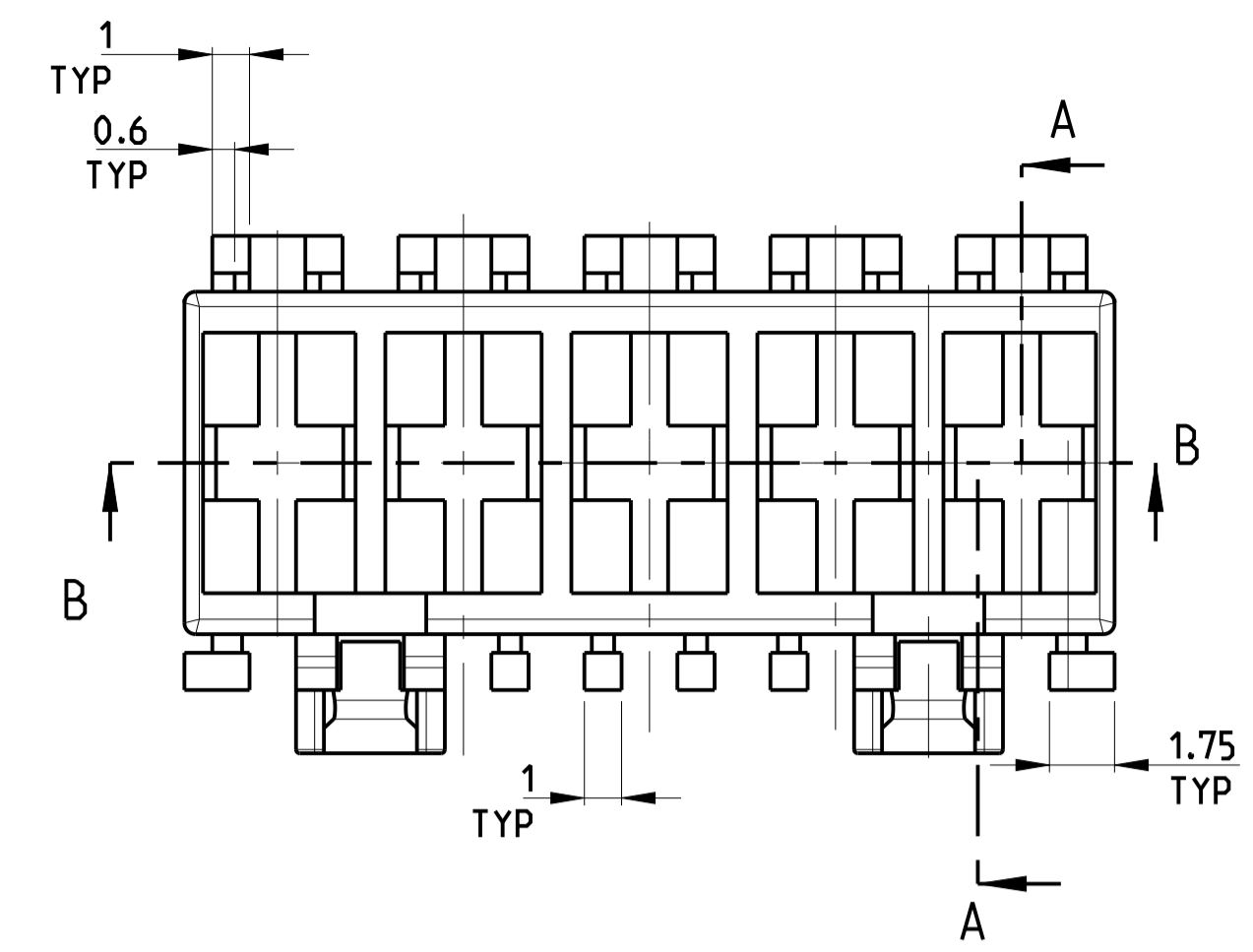
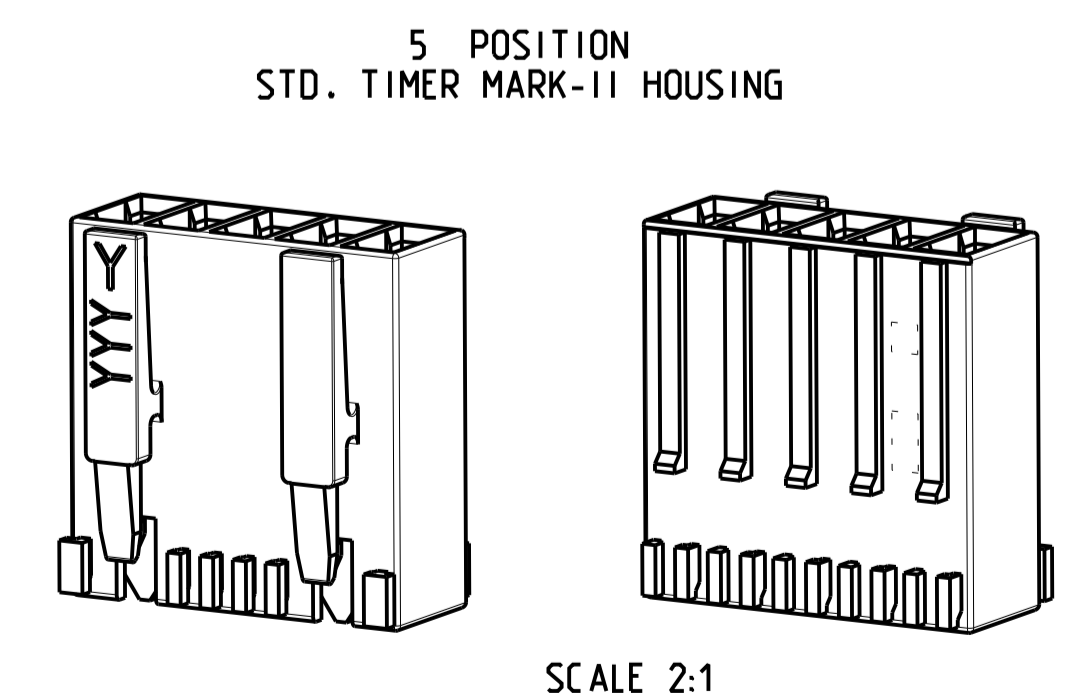


LOC		DIST		REVISIONS			
E1	ECR-21-100139			12 JAN 2021	KD	FL	
E2	ECR-21-100675			23 FEB 2021	KD	FL	
E3	ECR-21-102870			20 MAY 2021	SM	FL	
E4	ECR-21-103933			14 JUN 2021	PJ	FL	

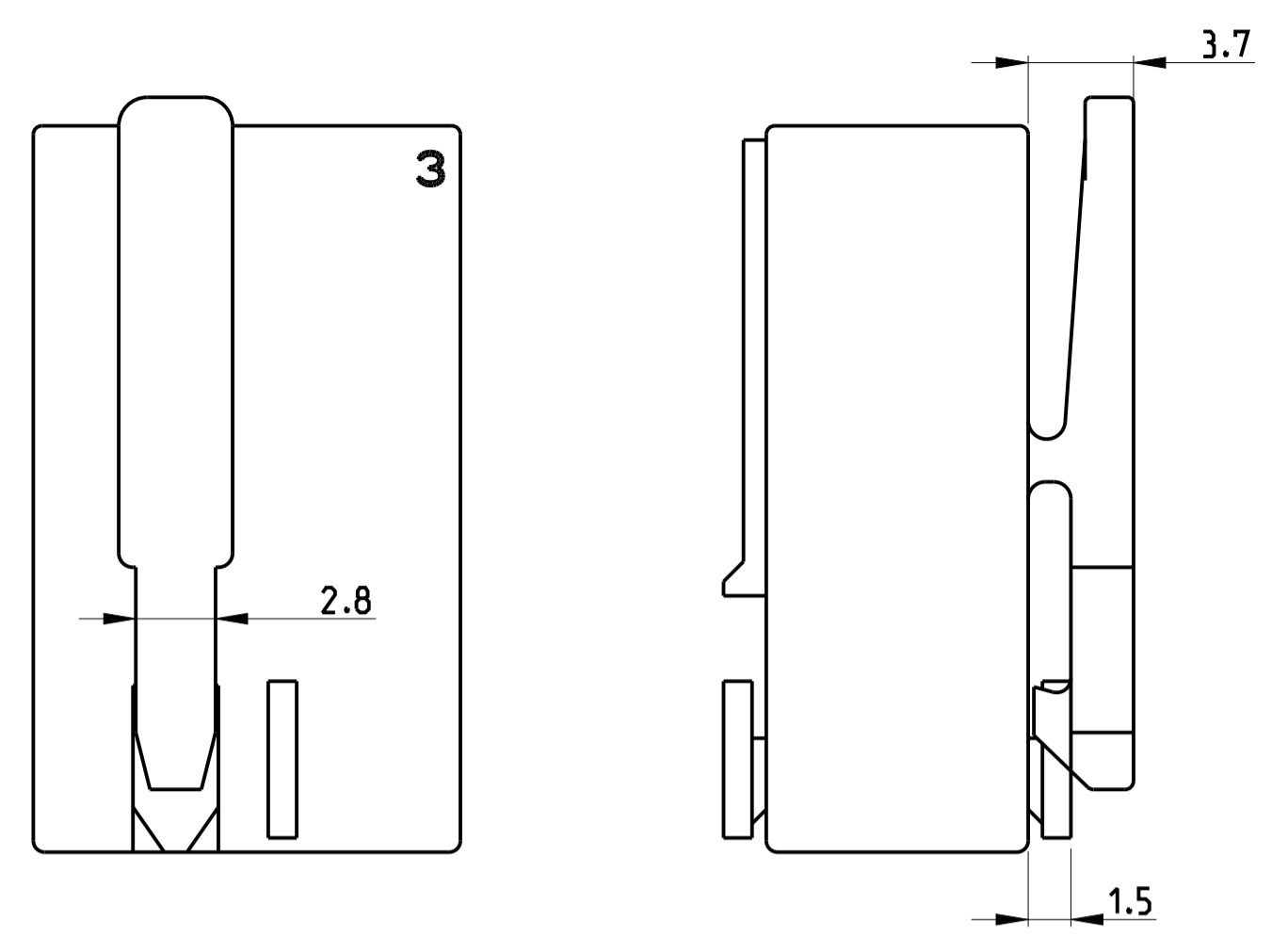


- REMARKS/Bemerkungen**
- 1 CAVITY SUITABLE FOR STANDARD TIMER CONTACTS LISTED IN PROD.SPEC. 108-18049. ITEM 3.3.2
Kammer geeignet für Standard Timer Kontakte gelistet in Prod. Spec. 108-18049. Punkt 3.3.2
 - 2 CONTACT CAVITY NO.
Kontaktkammernummerierung
 - 3 MATING STOP
Tiefenanschlag
 - 4 AREA FOR TE LOGO ACC. TO SPEC 202-36
Bereich für TE Logo nach Spec. 202-36
 - 5 POLARIZATION RIB POSITION "a" AND/OR "b"
Polarisierungsrippe Position "a" und/oder "b"
 - 6 KEYING RIB POSITION "c" AND/OR "d"
Kodierrippe Position "c" und/oder "d"
 - 6a KEYING RIB POSITION "c" AND/OR "d" AT THE END WALLS OF THE HOUSING
Kodierrippe Position "c" und/oder "d" an den Gehäusestirnseiten
 - 7 LOCKING LATCH
Rasthaken
 - 8 TE PART NO (PN)
TE Bestell Nr. (PN)
 - 9 DESIGN OF THE HOUSINGS ACC. TO RAST 5 STANDARD
Gehäuseausführung gemäss RAST 5 Vorgabe
 - 10 GENERAL SUITABLE TAB HEADER SEE RAST 5 PERFORMANCE
Generell passende Flachsteckerwannen siehe RAST 5 Vorgabe
 - 11 PACKAGING: BULK PACKAGING IN CORRUGATED BOX PN 740580-2
2 POS. 2500 PIECES PER BOX / 3 POS. 2000 PIECES PER BOX
Verpackung: Schüttgut in Versandkarton Pn 740580-2
2pol. 2500 Stück per Karton / 3pol. 2000 Stück per Karton
 - 12 DIMENSION A, B C AND D SEE SHEET 2 OF 3
 - 13 MATERIAL CORRESPONDS TO THE REQUIREMENT EN 60335
(INCL. GLOW WIRE TEST 750° WITHOUT FLAME)
Material entspricht den Anforderungen der EN 60335
(inkl. Glühdrahttest 750° ohne Flamme)
 - 14 RATIO NUMBER OF THE KEYING VERSION, INKJET PRINTED. SEE SHEET 2
Kodierungskennnummer, mit Tintenstrahldrucker aufgebracht. siehe Blatt 2
 - 15 PRELIMINARY- NOT RELEASED FOR PRODUCTION
 - 16 ONLY FOR 9-1241961-7. DIMENSION 3.2 -0.2
 - 17 DOUBLE SOURCE RESIN: ALTERNATIVE RESIN UNDER APPROVAL
 - 18 ALLOWED 25±0.2 FOR P/NS X-2364739-X.



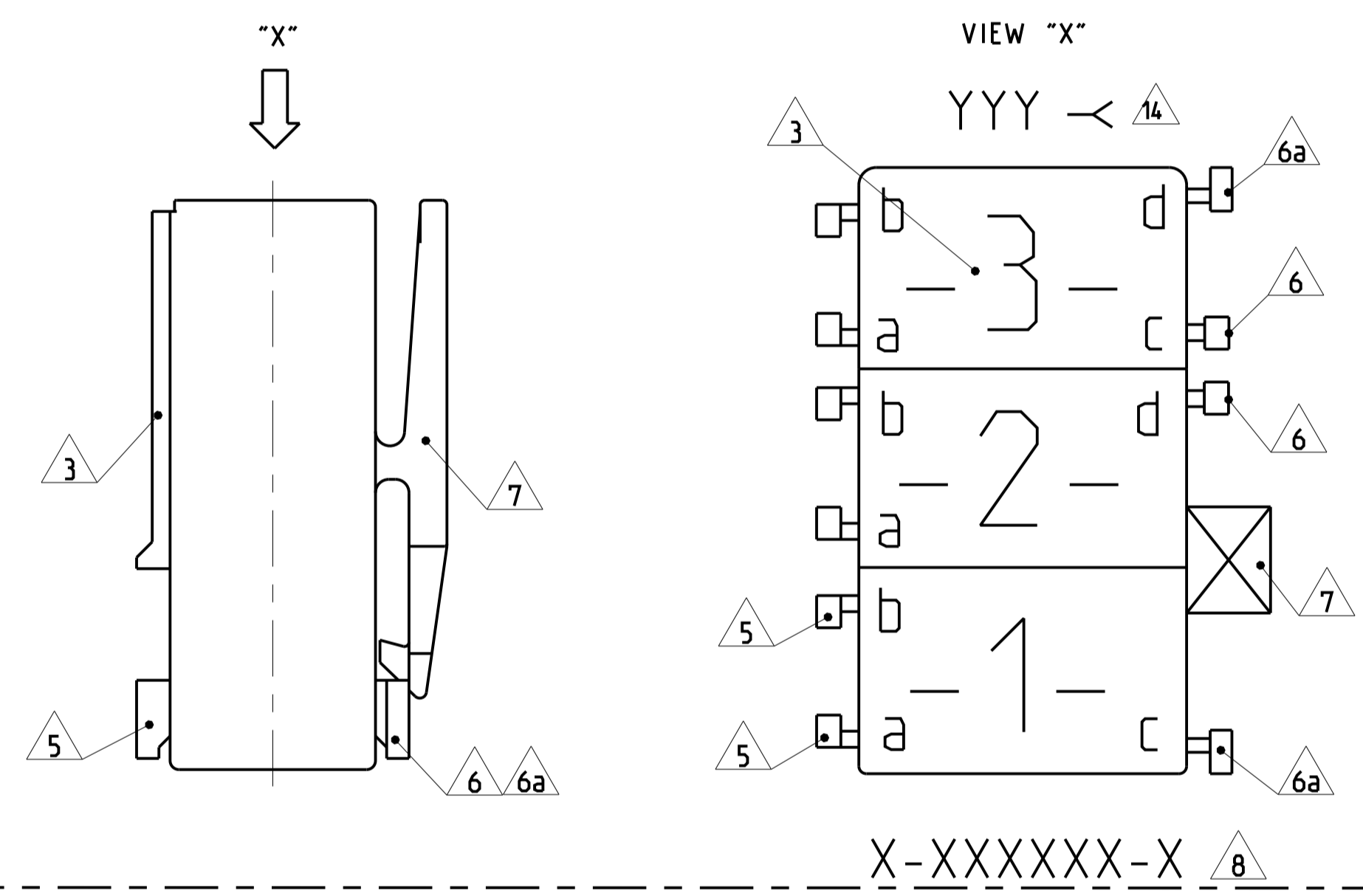
THIS DRAWING IS A CONTROLLED DOCUMENT.		DRW: Kishor M 18-10-07		TE Connectivity	
DIMENSIONS: mm		CHK: K. Murtz 18-10-07		NAME: STANDARD TIMER HSG. RAST 5 MARK II Standard Timer Gehäuse RAST 5 Mark II	
TOLERANCES UNLESS OTHERWISE SPECIFIED:		APPD: T. Klanner 18-10-07	PRODUCT SPEC: 108-18049-1		
0 PLC ±0.2		APPLICATION SPEC:			
1 PLC ±0.2		SIZE: A1			
2 PLC ±0.2		CAGE CODE: 00779			
3 PLC ±0.2		DRAWING NO: 1241961			
4 PLC ±0.2		SHEET 1 OF 4			
ANGLES: -		SCALE: 5:1			
FINISH: -		REV: E4			
MATERIAL: -		Customer Drawing			
SEE TABLES, SHEETS PAGE 2 AND 3 OF 4		RESTRICTED TO: -			

ONLY 5-1241961-7, 1-1241961-9, 7-1241961-7, 2345753-1



ALL OTHER DIMENSIONS SEE SHEET 1 OF 3

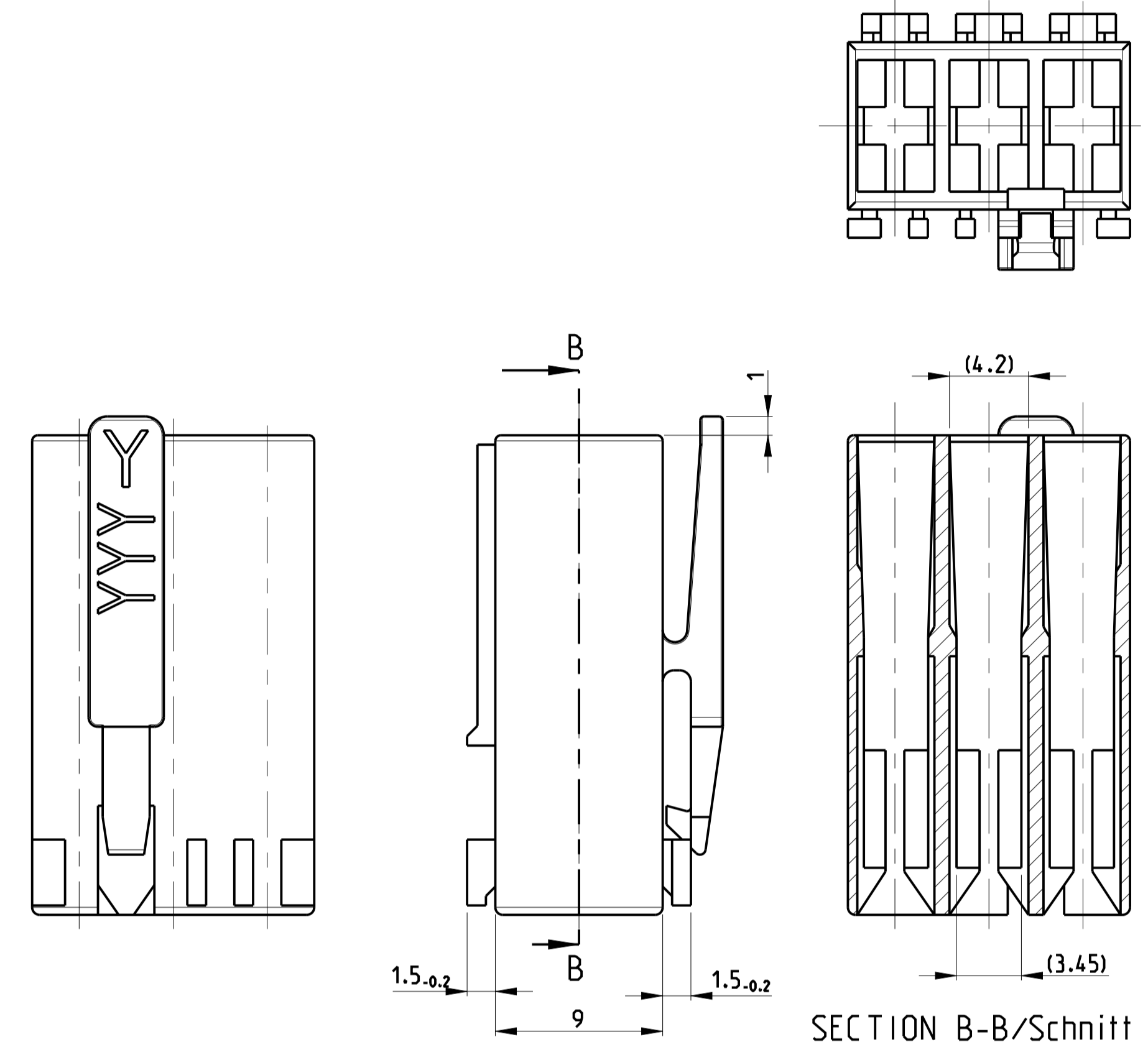
KEY LAYOUT DESCRIPTION



X-XXXXXX-X

PAY ATTENTION !
DIFFERENT CAVITY GEOMETRY AND LOCKING LATCH OVERHANG
Bitte beachten !
Unterschiedliche Kammergeometrie und Rasthakenuberstand.

FOR 2 POS. AND 3 POS.



SECTION B-B/Schnitt B-B

ALL OTHER DIMENSIONS SEE SHEET 1 OF 3
Alle anderen Masse siehe Seite 1 von 3

SPECIAL MATERIAL: UL94 V0								
2345753-1	3	6	1	15	10	PA66	NATURAL	C

SPECIAL MATERIAL								
1955507-4	4	6	1	20	15	PA66	NATURAL	1
9-1955506-2	2	6	1	10	5	UL 94 V0	NATURAL	1

PART NO	POS	DIM C	DIM D	DIM A	DIM B	MATERIAL	COLOUR	REV./Rev.
6-1241961-7	3			15	10	PA 6 UL94V-2	NATURAL	1
4-1241961-7	3			15	10	PA 6 UL94V-2	NATURAL	A
3-1241961-7	3	4	0.5	15	10	PA 6 UL94V-2	NATURAL	A
1-1955422-7	3			15	10	PA 66 UNFILLED UL94 V0	NATURAL	A
5-1955422-7	3			15	10	PA 66 UNFILLED UL94 V0	NATURAL	A
4-1955422-3	2	6	1	10	5	PA 66 UNFILLED UL94 V0	NATURAL	A
2-1241817-3	3	4 or 6	0.5 or 1	15	10	PA 66 UL94 V-2	Green	E
0-1955422-6	3			15	10	PA 66 UNFILLED UL94 V0	NATURAL	A
8-1241961-8	3			15	10	PA 6 UL94V-2	natural	C
0-1241961-8	3			15	10	PA 6 UL94V-2	natural	A
8-1241961-3	2	4	0.5	10	5	PA 6 UL94V-2	NATURAL	C
3-1241961-1	2			10	5	PA 6 UL94V-2	NATURAL	C
0-1955422-1	2			10	5	PA 66 UNFILLED UL94 V0	NATURAL	A

SPECIAL VERSION: UL94 V0 & GWT 750NF							
2178571-3	4			20	15	PA 66. UL94 V-0	NATURAL
2178571-1	3			15	10	PA 66. UL94 V-0	NATURAL
2178571-2	2	4	1	10	5	PA 66. UL94 V-0	NATURAL
1-2178571-3	3			15	10	PA 66. UL94 V-0	NATURAL
PART NO	POS	DIM C	DIM D	DIM A	DIM B	MATERIAL	COLOUR Farbe

REVISIONS									
LOC	DIST	P	LTR	DESCRIPTION	DATE	DWR	APVD	SEE SHEET-01	
0-1241959-5	5			25	10				B
4-1241959-4	4	4	0.5	20	15	PA 6 UL94V-2	Natural/natur		A
2-1241959-4	4			20	15				B
0-1241959-4	4			20	15				
2-1241817-5	5	6	1	25	20	PA 6.6 UL94V-2	Natural/natur		C
0-1241817-5	4	0.5		25	20		Black/schwarz		
3-1241817-4	4			20	15		Violet/violett		
2-1241817-4	4	6	1	20	15		Grey/grau		
0-1241817-4	4	0.5		20	15		Natural/natur		
2-1241983-2				10	5		Green/grün		
1-1241983-2				10	5		Violet/violett		
0-1241983-2	2	4	0.5	10	5	PA 6 UL94V-2	TARGET RAL 4001		C
8-1241983-2				10	5		Yellow/gelb		
5-1241983-3				10	5		Black/schwarz		
6-1241983-2				10	5		Blue/blau		
				10	5		Red/rot		
9-1241961-7		4	0.5	15	10				
9-1241961-8		4	0.5	15	10				
6-1241961-8		4	0.5	15	10				
5-1241961-8		4 or 6	0.5 or 1	15	10				
4-1241961-8		4	0.5	15	10				
7-1241961-8		4	0.5	15	10				
1-1241961-8		4 or 6	0.5 or 1	15	10				
3-1241961-8		6	1	15	10				
2-1241961-8				15	10				
2-1241961-7				15	10				
1-1241961-7		4	0.5	15	10				
9-1241961-9				15	10				
0-1241961-6				15	10				
3-1241961-3				10	5				
2-1241961-2				10	5				
5-1241961-2				10	5				
4-1241961-3				10	5				
7-1241961-2				10	5				
7-1241961-3				10	5				
6-1241961-3		2	4	0.5	10				
3-1241961-2				10	5				
5-1241961-3				10	5				
6-1241961-2				10	5				
0-1241961-3				10	5				
8-1241961-2				10	5				
9-1241961-2				10	5				
0-1241961-1				10	5				
9-969484-9	3	6	1	15	10	PA 6.6 UL94V-2	Yellow/gelb		
2-969484-8				15	10				
4-969484-8		4 or 6	0.5 or 1	15	10				
0-969484-8				15	10				
9-969484-7		4	0.5	15	10				
8-969484-7				15	10				
7-969484-7				15	10				
6-969484-7				15	10				
5-969484-7		4	0.5	15	10				
4-969484-7				15	10				
3-969484-7		4	0.5	15	10				
2-969484-7		4	0.5	15	10				
1-969484-7	3	4	0.5	15	10				
0-969484-7				15	10				
9-969484-6		6	1	15	10				
8-969484-6				15	10				
7-969484-6				15	10				
6-969484-6				15	10				
5-969484-6				15	10				
4-969484-6				15	10				
3-969484-6		6	1	15	10				
2-969484-6				15	10				
1-969484-6				15	10				
0-969484-6				15	10				
9-969484-3				10	5				
8-969484-3				10	5				
7-969484-3				10	5				
6-969484-3		4	0.5	10	5				
5-969484-3				10	5				
4-969484-3				10	5				
3-969484-3				10	5				
2-969484-3				10	5				
1-969484-3				10	5				
0-969484-3				10	5				
9-969484-2				10	5				
8-969484-2				10	5				
7-969484-2				10	5				
6-969484-2		4	0.5	10	5				
5-969484-2				10	5				
4-969484-2				10	5				
3-969484-2				10	5				
2-969484-2				10	5				
1-969484-2				10	5				
0-969484-2				10	5				
9-969484-1		6	1	10	5				
8-969484-1				10	5				
7-969484-1		4	1	10	5				
6-969484-1		6	1	10	5				
5-969484-1				10	5				
4-969484-1		6	1	10	5				
3-969484-1				10	5				
2-969484-1		4	0.5	10	5				
1-969484-1				10	5				
0-969484-1				10	5				

THIS DRAWING IS A CONTROLLED DOCUMENT. DWG: Kishor M 18-10-07, CHK: K. Murtz 18-10-07, APPD: T. Klenner 18-10-07

DIMENSIONS: mm. TOLERANCES UNLESS OTHERWISE SPECIFIED: 0 PLC ±0.2, 1 PLC ±0.2, 2 PLC ±0.2, 3 PLC ±0.2, 4 PLC ±0.2, 5 PLC ±0.2, 6 PLC ±0.2, 7 PLC ±0.2, 8 PLC ±0.2, 9 PLC ±0.2, 10 PLC ±0.2, 11 PLC ±0.2, 12 PLC ±0.2, 13 PLC ±0.2, 14 PLC ±0.2, 15 PLC ±0.2, 16 PLC ±0.2, 17 PLC ±0.2, 18 PLC ±0.2, 19 PLC ±0.2, 20 PLC ±0.2, 21 PLC ±0.2, 22 PLC ±0.2, 23 PLC ±0.2, 24 PLC ±0.2, 25 PLC ±0.2, 26 PLC ±0.2, 27 PLC ±0.2, 28 PLC ±0.2, 29 PLC ±0.2, 30 PLC ±0.2, 31 PLC ±0.2, 32 PLC ±0.2, 33 PLC ±0.2, 34 PLC ±0.2, 35 PLC ±0.2, 36 PLC ±0.2, 37 PLC ±0.2, 38 PLC ±0.2, 39 PLC ±0.2, 40 PLC ±0.2, 41 PLC ±0.2, 42 PLC ±0.2, 43 PLC ±0.2, 44 PLC ±0.2, 45 PLC ±0.2, 46 PLC ±0.2, 47 PLC ±0.2, 48 PLC ±0.2, 49 PLC ±0.2, 50 PLC ±0.2, 51 PLC ±0.2, 52 PLC ±0.2, 53 PLC ±0.2, 54 PLC ±0.2, 55 PLC ±0.2, 56 PLC ±0.2, 57 PLC ±0.2, 58 PLC ±0.2, 59 PLC ±0.2, 60 PLC ±0.2, 61 PLC ±0.2, 62 PLC ±0.2, 63 PLC ±0.2, 64 PLC ±0.2, 65 PLC ±0.2, 66 PLC ±0.2, 67 PLC ±0.2, 68 PLC ±0.2, 69 PLC ±0.2, 70 PLC ±0.2, 71 PLC ±0.2, 72 PLC ±0.2, 73 PLC ±0.2, 74 PLC ±0.2, 75 PLC ±0.2, 76 PLC ±0.2, 77 PLC ±0.2, 78 PLC ±0.2, 79 PLC ±0.2, 80 PLC ±0.2, 81 PLC ±0.2, 82 PLC ±0.2, 83 PLC ±0.2, 84 PLC ±0.2, 85 PLC ±0.2, 86 PLC ±0.2, 87 PLC ±0.2, 88 PLC ±0.2, 89 PLC ±0.2, 90 PLC ±0.2, 91 PLC ±0.2, 92 PLC ±0.2, 93 PLC ±0.2, 94 PLC ±0.2, 95 PLC ±0.2, 96 PLC ±0.2, 97 PLC ±0.2, 98 PLC ±0.2, 99 PLC ±0.2, 100 PLC ±0.2

MATERIAL: SEE TABLES. SHEETS PAGE 2 AND 3 OF 4. WEIGHT: Customer Drawing. SCALE: 5:1. SHEET 2 OF 4. REV E4.

STANDARD TIMER HSG. RAST 5 MARK II. Standard Timer Gehäuse RAST 5 Mark II. SIZE: A1. CODE: 00779. DRAWING NO: 108-18049. APPLICATION SPEC: 1241961.

LOC	DIST	REVISIONS			
P	LTN	DESCRIPTION	DATE	DWN	APVD
		SEE SHEET 1			

SPECIAL VERSION: UL94 V0 & GWEPT 750°C NF

PART NO.	POS	DIM C	DIM D	DIMA	DIM B	MATERIAL	COLOUR	REV.
2364739-5	5	4	0.5	25	20	PA66 13 17	BLUE	C
2364739-4	4			20	15		BLUE	C
1-2364739-3	3			15	10		BLUE	C
2364739-3	3			15	10		BLUE	C
1-2364739-2	2			10	5		BLUE	C
2364739-2	2			10	5		BLUE	C
3-2364739-2	2			10	5		BLUE	C
2-2364739-2	2			10	5		BLUE	C

SPECIAL VERSION: UL94 V0 & GWT 750 NF & CTI 350

PART NO.	POS	DIM C	DIM D	DIMA	DIM B	MATERIAL	COLOUR	REV.
5-1241961-7	3	6	1	15	10	PA66 13	NATURAL	A
1-1241961-9	3			15	10		NATURAL	A
7-1241961-7	3			15	10		NATURAL	A

SPECIAL VERSION: UL94 V0 & GWT 750 NF

PART NO.	POS	DIM C	DIM D	DIMA	DIM B	MATERIAL	COLOUR	REV.
2322164-1	4	4	0.5	20	15	PA66 13	NATURAL	1

SPECIAL VERSION: UL94 V2 & GWT 750 NF

PART NO.	POS	DIM C	DIM D	DIMA	DIM B	MATERIAL	COLOUR	REV.
6-2178575-7	3	4	0.5	15	10	PA6 GF15 13	NATURAL	A

SPECIAL VERSION: UL94 V0 & GWT 750 NF

PART NO.	POS	DIM C	DIM D	DIMA	DIM B	MATERIAL	COLOUR	REV.
3-2178412-7	3	6	1	15	10	PA66 13 UL94 V0 & GWT 750 NF	NATURAL	1
4-2178412-7	3			15	10		NATURAL	1
8-2178412-2	2			10	5		NATURAL	1

UL94 V0 & GWT 750 NF

PART NO.	POS	DIM C	DIM D	DIMA	DIM B	MATERIAL	COLOUR	REV.	
2322917-4	4	4	0.5	20	15	PA66 13 UL94 V0 & GWT 750 NF	NATURAL	C	
2322917-2	2			10	5		NATURAL	C	
2315717-1	2			10	5		NATURAL	C	
2315717-2	2			10	5		NATURAL	C	
2315717-3	2			10	5		NATURAL	C	
1-2315717-2	2			10	5		NATURAL	1	
2-2315717-2	2			10	5		NATURAL	1	
2315717-4	4			20	15		NATURAL	C	
2315717-5	4			20	15		NATURAL	C	
2315717-6	3			15	10		NATURAL	C	
2315717-7	3			15	10		NATURAL	C	
1-2315717-3	3			15	10		NATURAL	E	
PART NO.	POS	DIM C	DIM D	DIMA	DIM B		MATERIAL	COLOUR	REV.

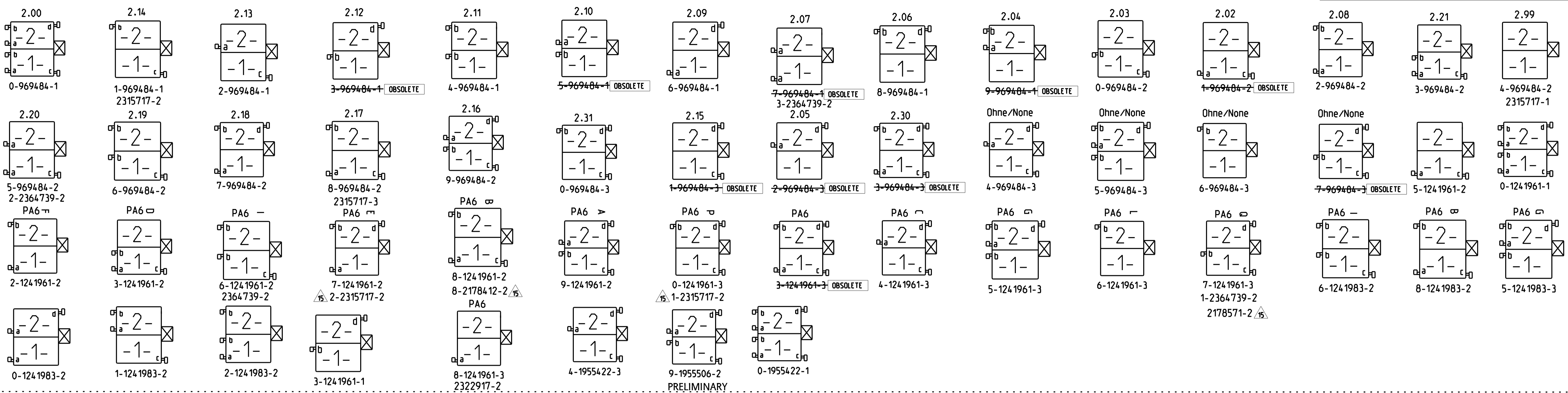
THIS DRAWING IS A CONTROLLED DOCUMENT.

DIMENSIONS: mm	TOLERANCES UNLESS OTHERWISE SPECIFIED:	DRW: Kishor M 18-10-07	CHK: K. Muniz 18-10-07	APVD: T. Klennner 18-10-07	NAME: STANDARD TIMER HSG. RAST 5 MARK II Standard Timer Gehäuse RAST 5 Mark II
0 PLC ±0.2	1 PLC ±0.2	2 PLC ±0.2	3 PLC ±0.2	4 PLC ±	PRODUCT SPEC: 108-18049
ANGLES: *	FINISH: -	WEIGHT: -	SCALE: 5:1	SHEET: 3 OF 4	REV: E4

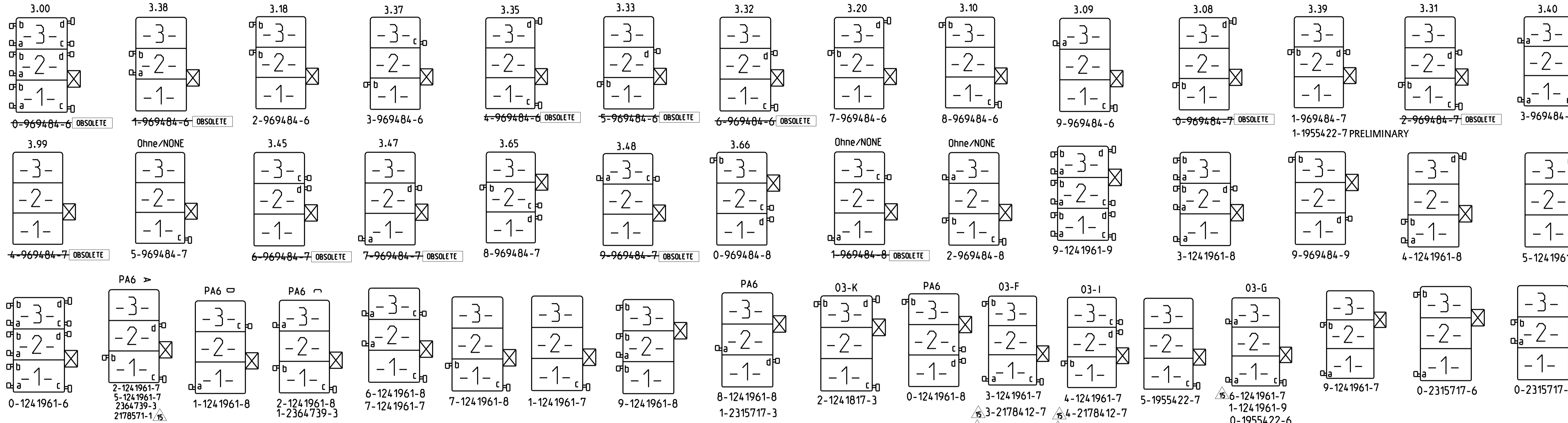
Customer Drawing

REVISONS		DATE	DRW	APVD
1	SEE SHEET-01			

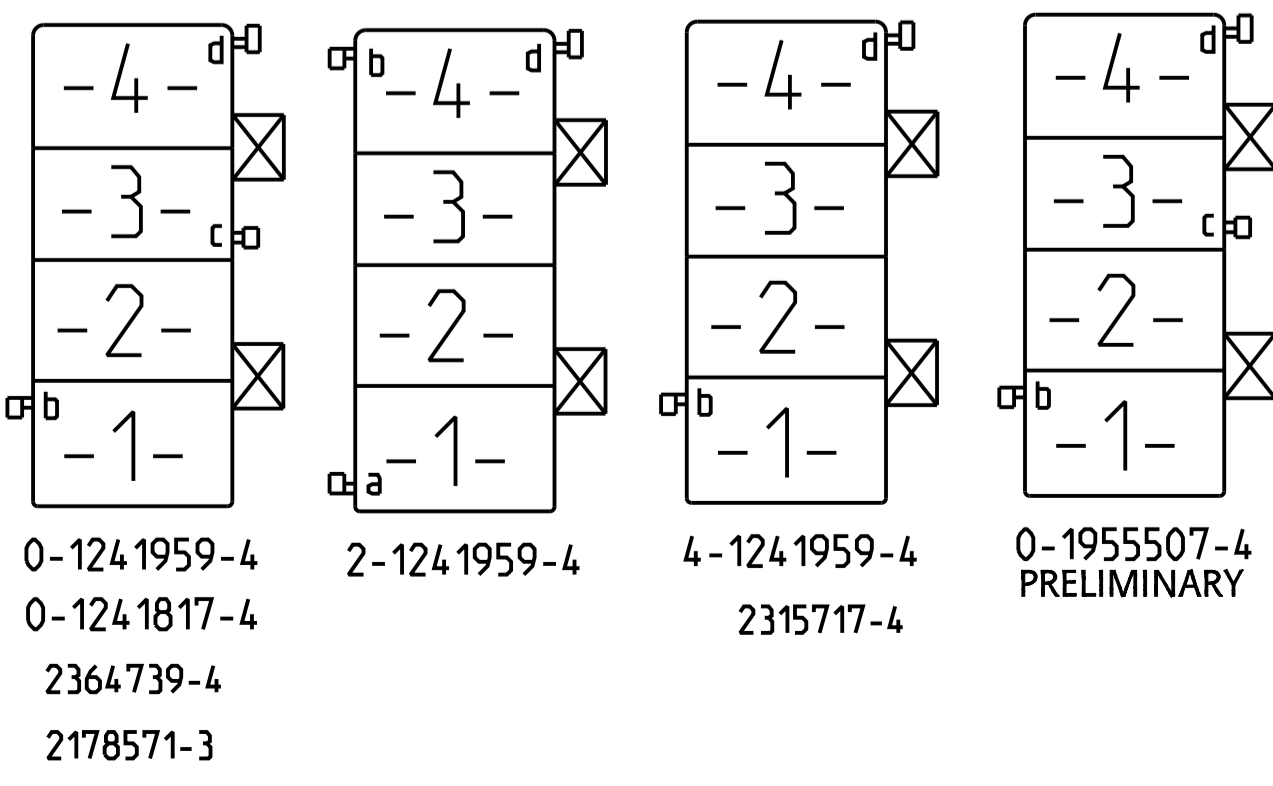
2 POSITION VARIANTS



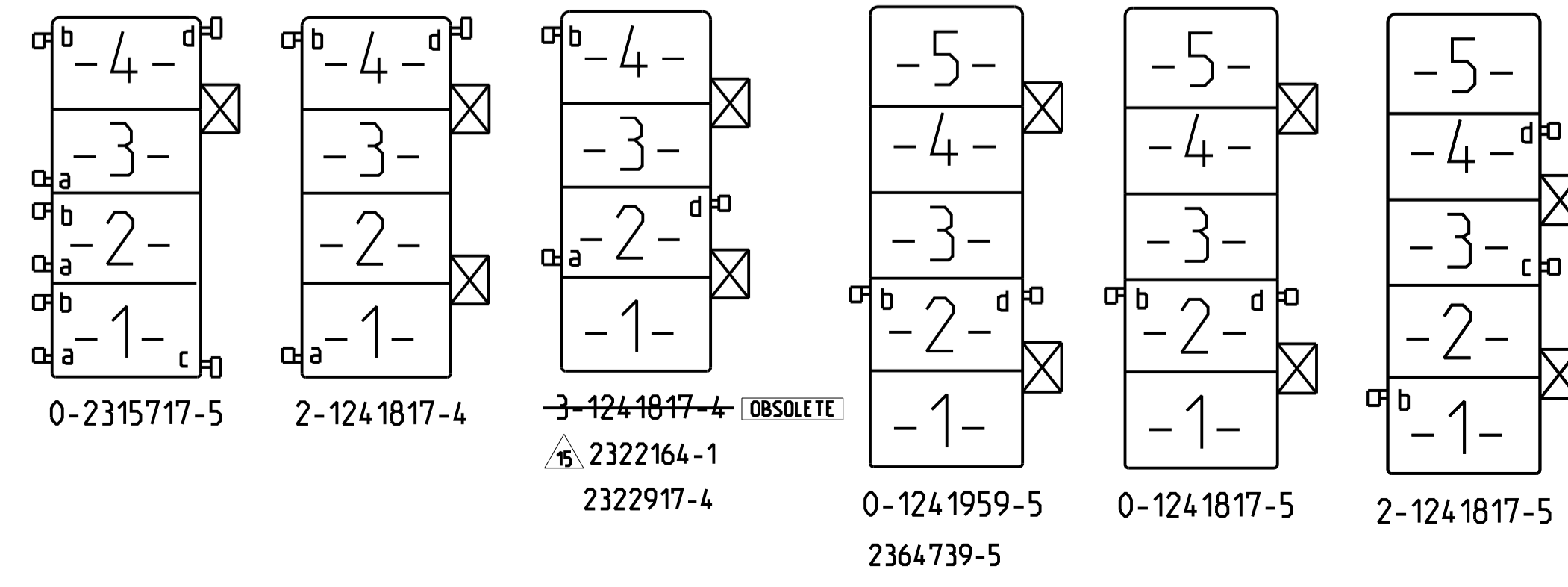
3 POSITION VARIANTS



4 POSITION VARIANTS



5 POSITION VARIANTS



THIS DRAWING IS A CONTROLLED DOCUMENT.

DIMENSIONS: mm	TOLERANCES UNLESS OTHERWISE SPECIFIED:	DRW: Kishor M 18-10-07	CHK: K. MURIZ 18-10-07	APVD: T. Klöpper 18-10-07
MATERIAL: SEE TABLES, SHEETS PAGE 2 AND 3 OF 4	FINISH: -	PRODUCT SPEC: 108-18049	APPLICATION SPEC: -	WEIGHT: -

STANDARD TIMER HSG. RAST 5 MARK II
Standard Timer Gehäuse RAST 5 Mark II

SIZE: A1
CAGE CODE: 00779
DRAWING NO: 1241961
SHEET 4 OF 6
SCALE: 5:1
REV: E4

Mouser Electronics

Authorized Distributor

Click to View Pricing, Inventory, Delivery & Lifecycle Information:

[TE Connectivity:](#)

[1-1241961-7](#)