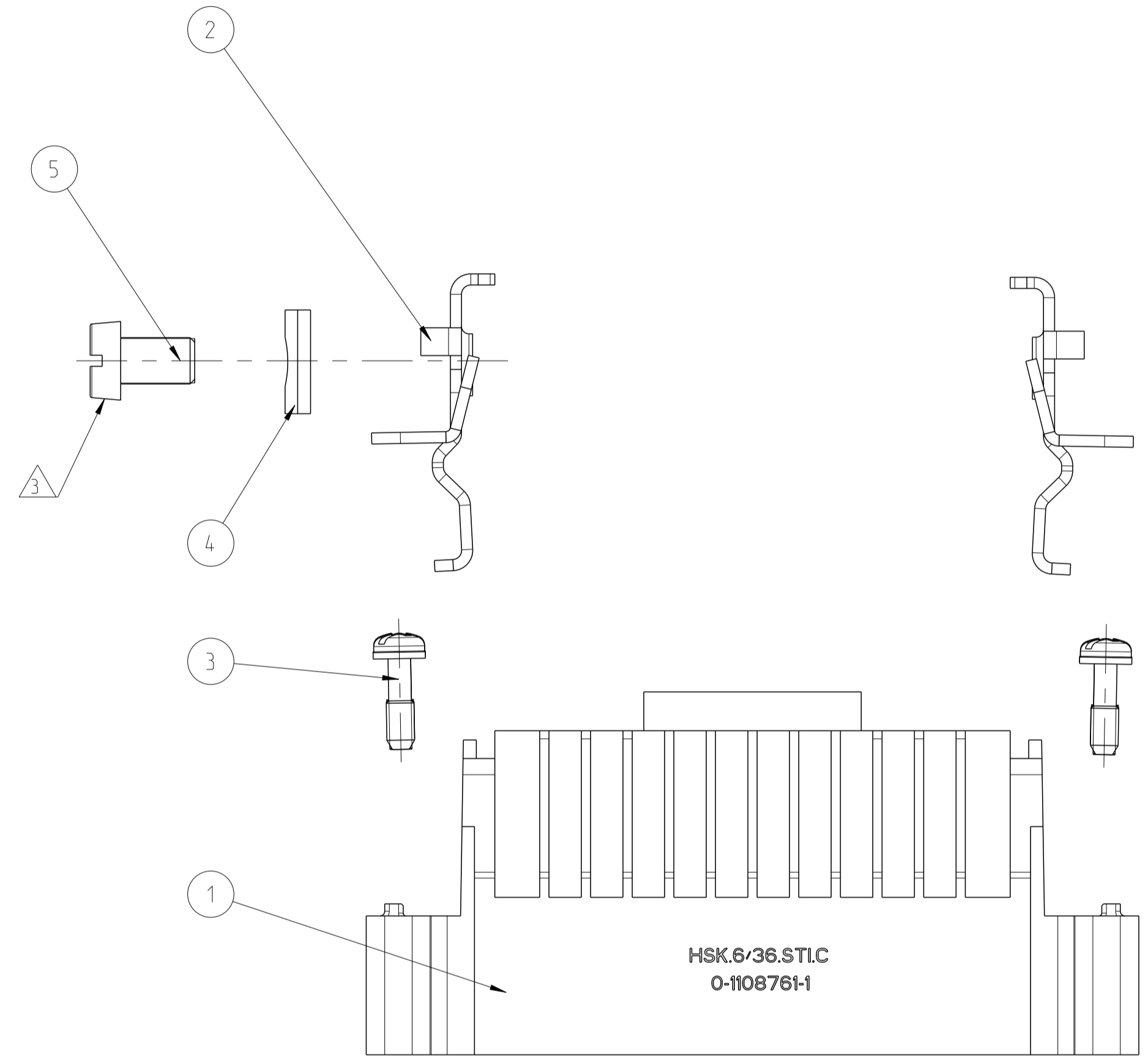
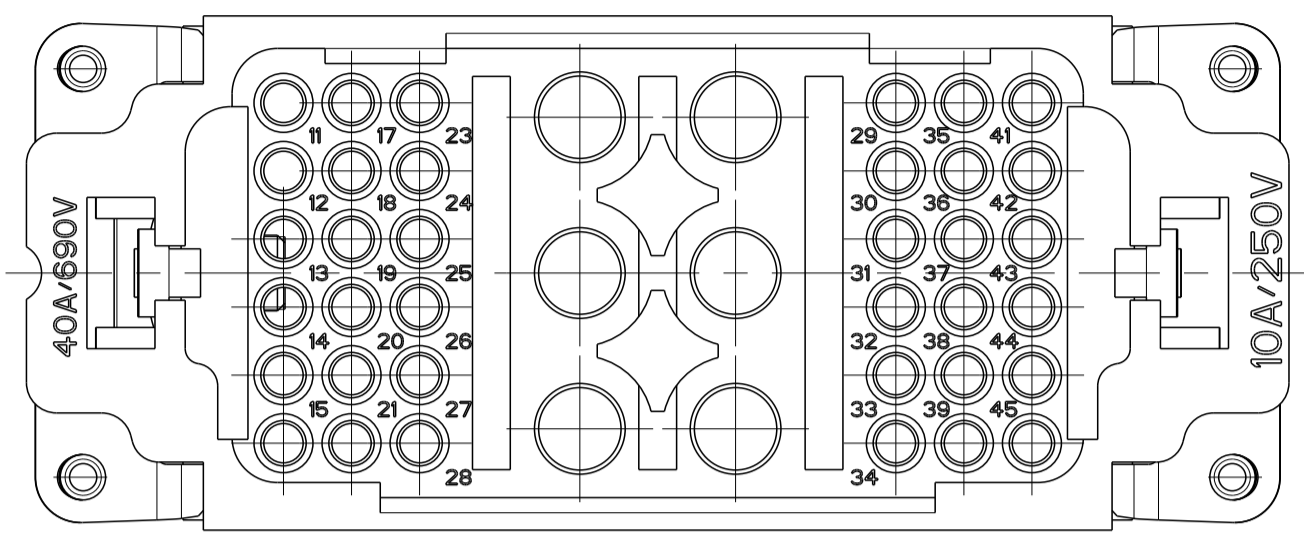


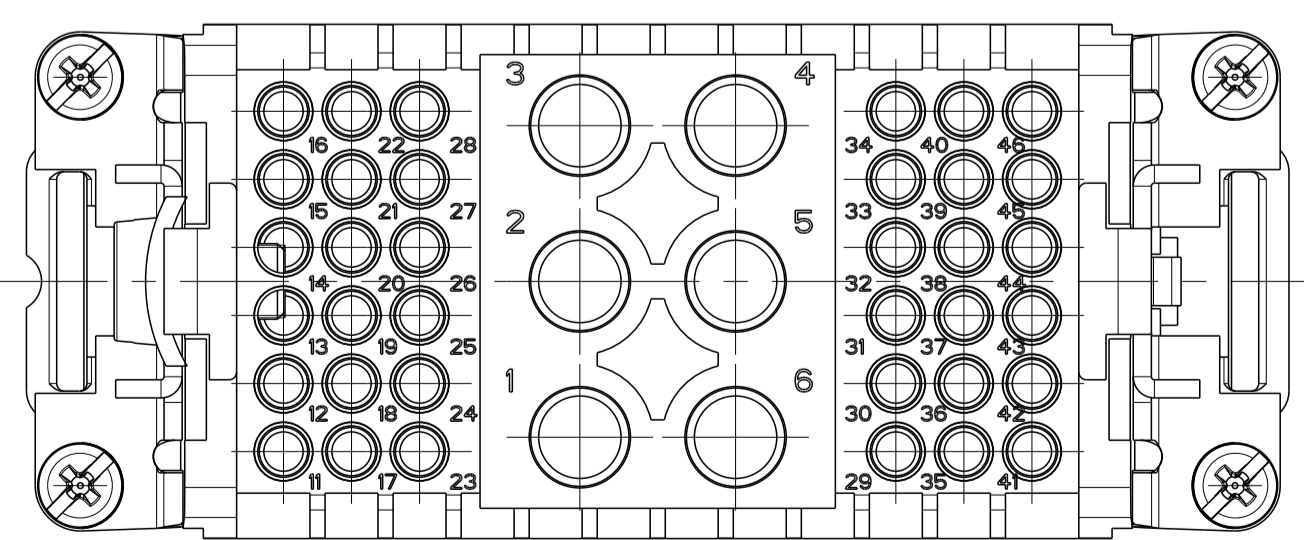
LOC	DIST	REVISIONS			
		REV	DATE	BY	CHK
A1	-	B1	09FEB2010	SR	ME
		B2	04APR2018	SG	MKO

PANEL CUT-OUT FOR CONTACT INSERT  
 WHEN USED WITHOUT HOUSING



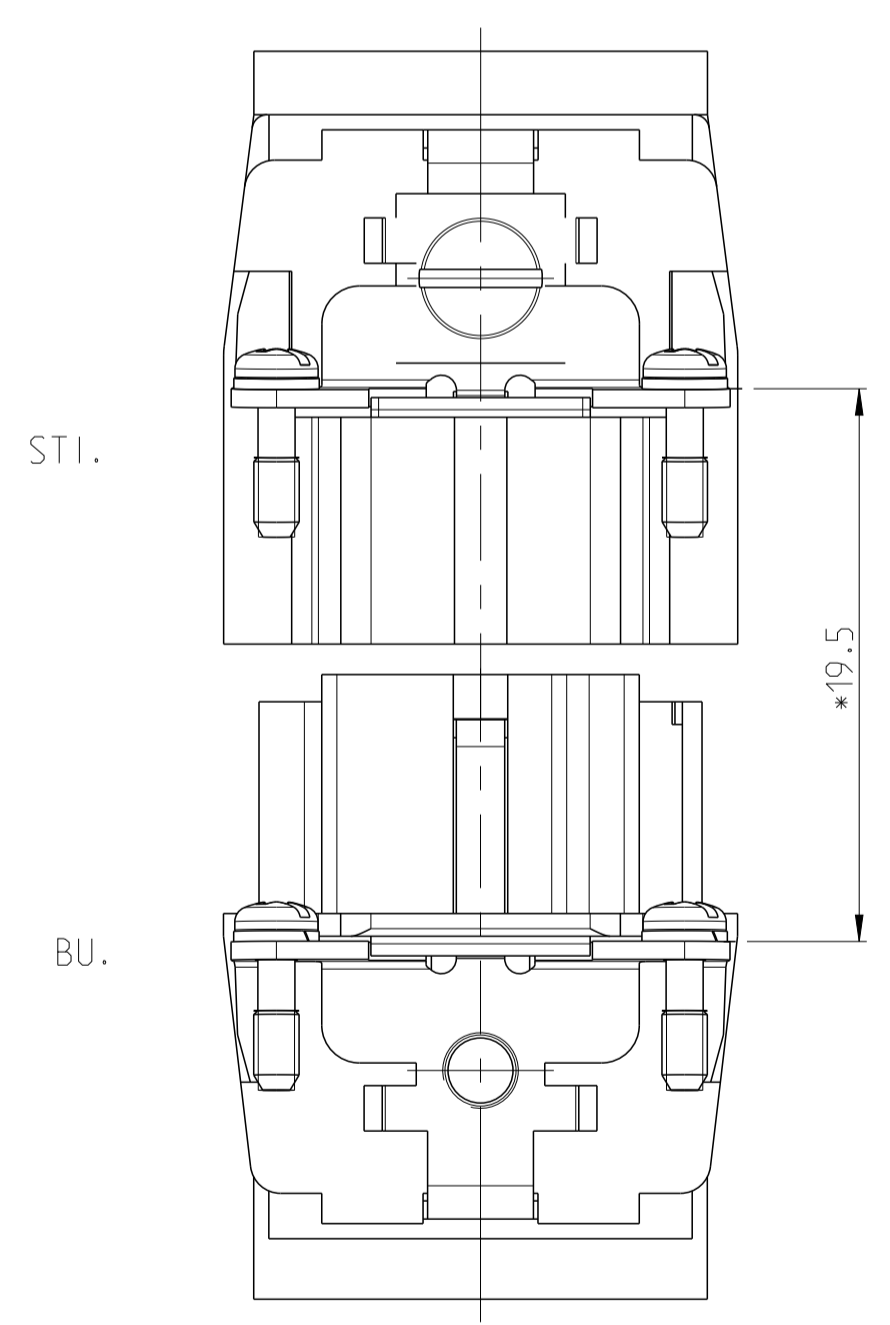
HSK.6/36.ST1.C  
 0-1108761-1

CONTACT ARRANGEMENT VIEW FROM  
 TERMINATION SIDE



NOTES

- POVER CONTACT : 1 TO 12  
 OUTER DIMENSIONS OF INSULATION: MAX. Ø6.5mm  
 SIGNAL CONTACT: A AND B  
 OUTER DIMENSIONS OF INSULATION: MAX. Ø3.2mm
- SUITABLE HOOD SIZE 6  
 SERIES HB, HD, EMV, AND HIP
- △ GROUNDING CONTACT
- STANDARDS:  
 DIN EN 61984; DIN EN 60664-1
- PACKAGING:  
 5 PIECES IN A CARTON BOX



\*DISTANCE ARRANGEMENT  
 VIEW FROM TERMINATION SIDE

SUPERSEDED BY T2120422101-000

QTY	DESCRIPTION	MATERIAL	SURFACE	ITEM
1	CYLINDER SCREW, M5	STEEL	NICKEL PLATED	5
1	CLIP TAB	STEEL	NICKEL PLATED	4
4	FIXING SCREW ASSY	STEEL	NICKEL PLATED	3
2	GROUNDING CONTACT-SOCKET	Cu Zn37 F38	NICKEL PLATED	2
1	SOCKET INSERT	VALOX		1
0-1	HSK.6/36.St1.C			

THIS DRAWING IS A CONTROLLED DOCUMENT.		OWN: R.SCHNEIDER 09FEB2010		
DIMENSIONS: mm		CHK: T.SCHNURPFEL 09FEB2010		
TOLERANCES UNLESS OTHERWISE SPECIFIED:		APVD: -	NAME: MALE INSERT	
0 PLC # # # # #		PRODUCT SPEC: -	MALE INSERT HSK6/36	
1 PLC # # # # #		APPLICATION SPEC: -	-	
2 PLC # # # # #		WEIGHT: -	SIZE: A1 00779 C=1108761	
3 PLC # # # # #		CUSTOMER DRAWING	RESTRICTED TO	
4 PLC # # # # #		SCALE: 5:1	SHEET 1 OF 1	
ANGLES: # # # # #			REV: B2	
FINISH: # # # # #				

# Mouser Electronics

Authorized Distributor

Click to View Pricing, Inventory, Delivery & Lifecycle Information:

[TE Connectivity:](#)

[1108761-1](#)