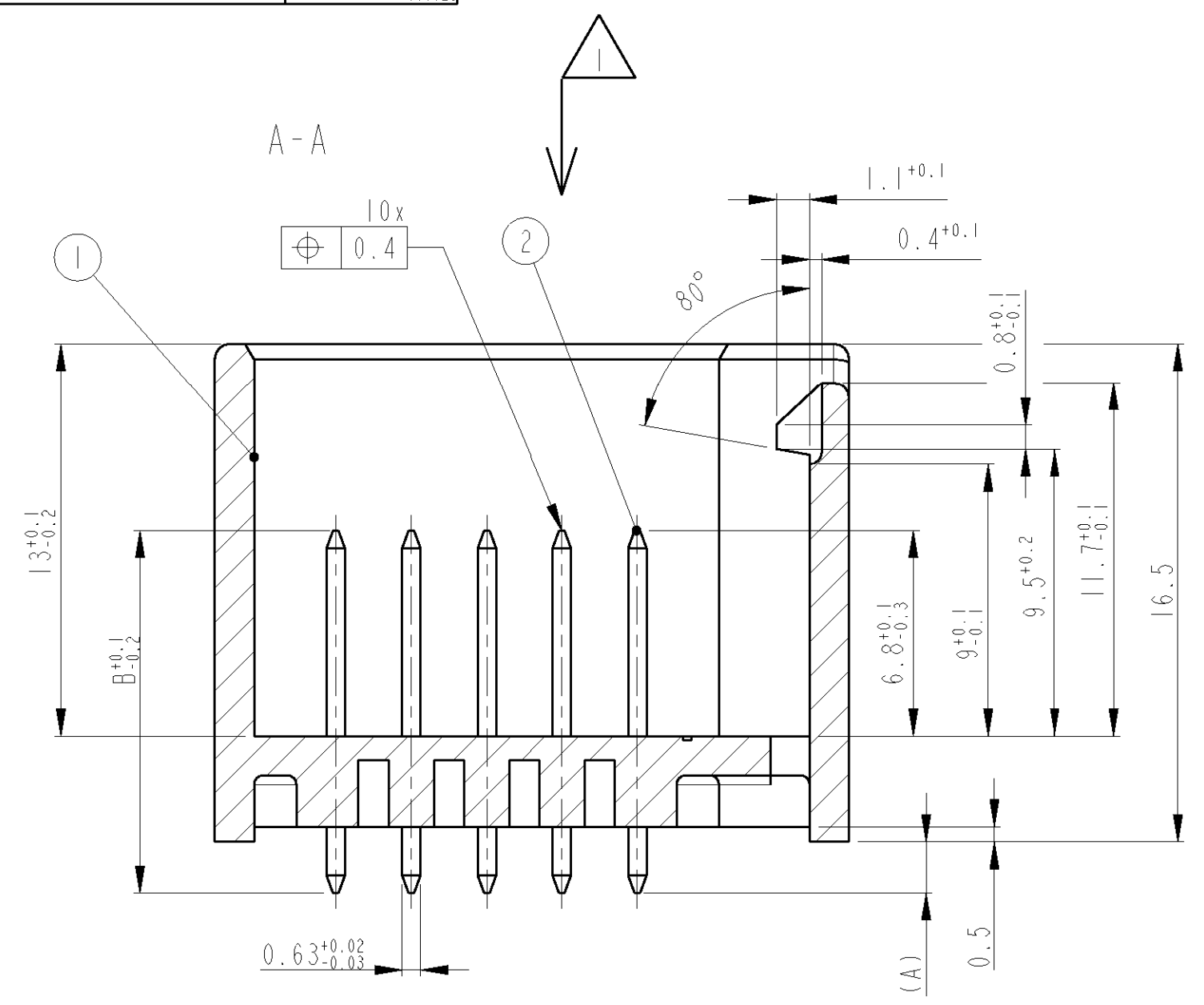
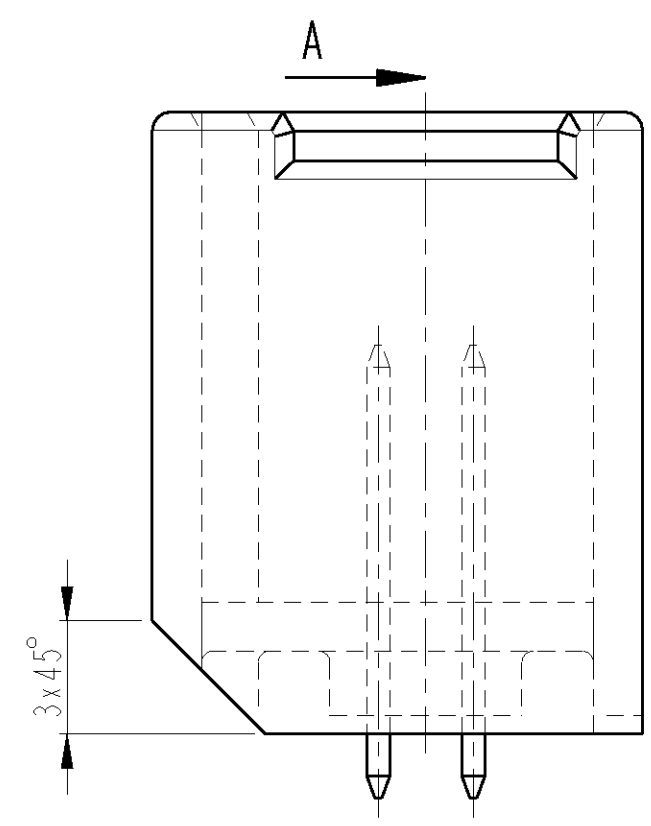
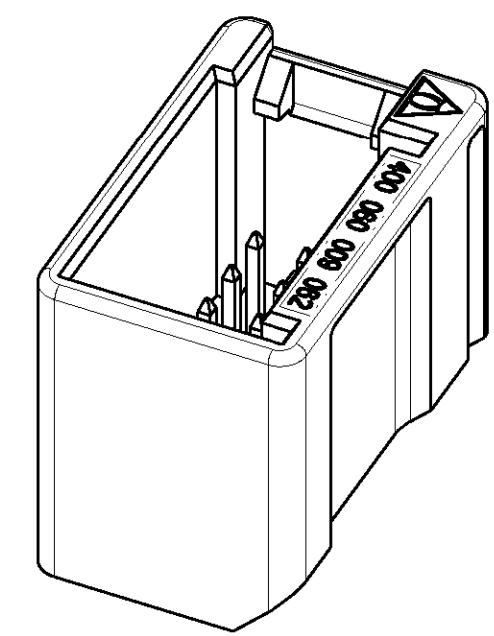
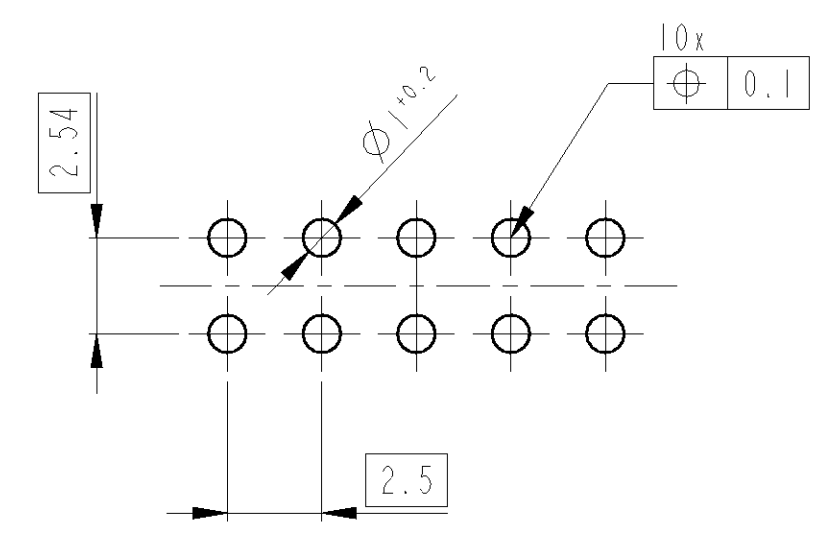


THIS DRAWING IS UNPUBLISHED. VERTRAULICHE UNVERÖFFENTLICHTE ZEICHNUNG. RELEASED FOR PUBLICATION FREI FUER VERÖFFENTLICHUNG. 1998. BY TYCO ELECTRONICS CORPORATION. ALL RIGHTS RESERVED. ALLE RECHTE VORBEHALTEN. DRAWING NO. 966725

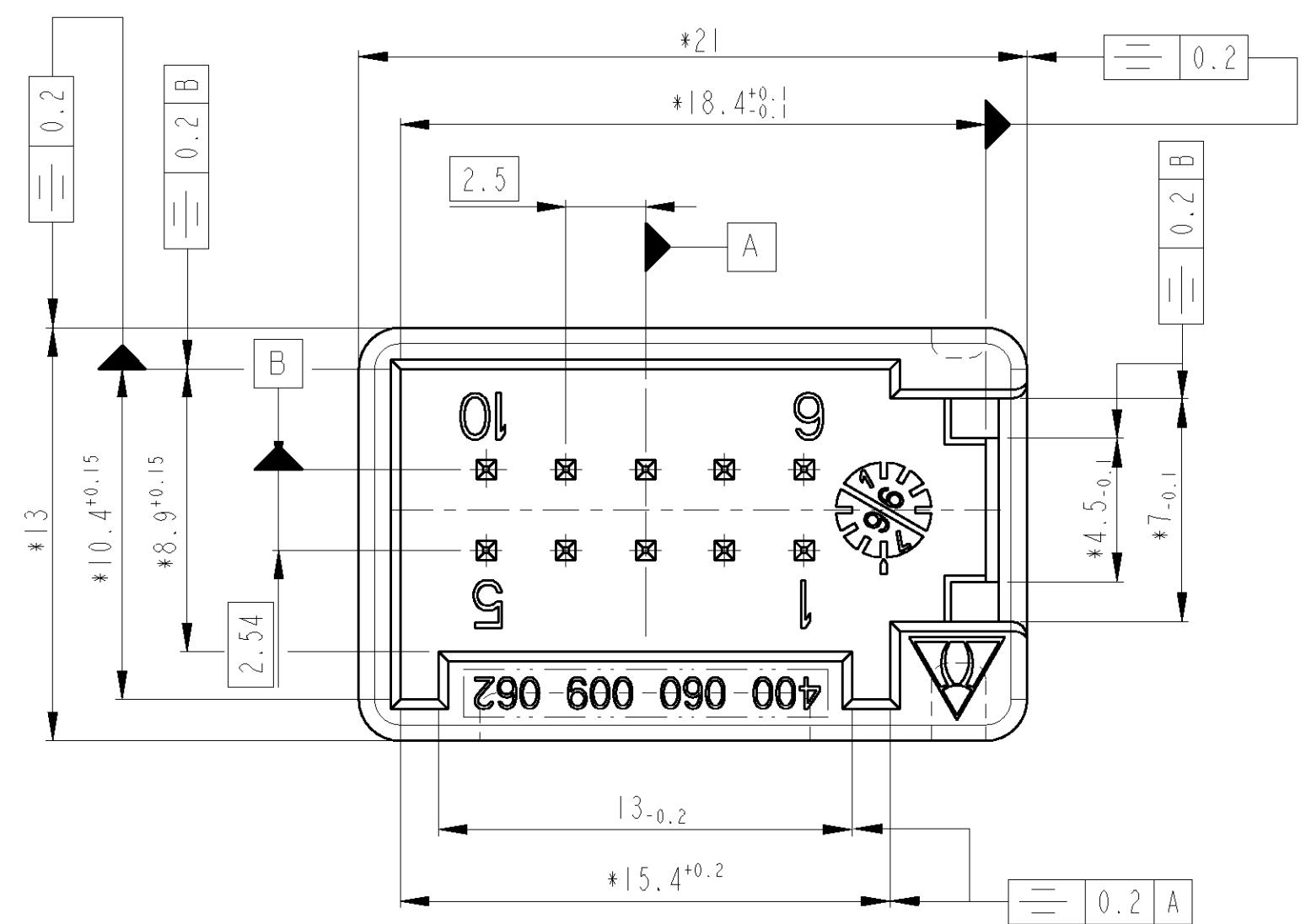
LOC	DIST	REVISIONS			DATE	DWN	APVD
		P	LTR	DESCRIPTION			
A1	-			Zeichnung neu erstellt	22NOV98	KS	-
PROJECT NR.: A96-52436							



Empfohlenes Leiterplattenbohrbild



3:1



Kontaktausdrueckkraft min. 40N.

\* Formbedingter Verzug max. 0.3 zul.

AMP BESTELL-NR. ORDER NO.	REV.	POS.	REV.	STK. QTY.	BENENNUNG DESCRIPTION	OBERFLAECHE SURFACE FARBE/COLOUR	WERKSTOFF MATERIAL	Maß A DIM A	Maß B DIM B
969 587-2	B	2	H	10	Stift □0.63	verzinkt	CuSn	(3.4)	13.7
		1	B	1	Stiftwanne	schwarz	PBT-GF		
969 587-1	B	2	A	10	Stift □0.63	verzinkt	CuSn	(1.7)	12
		1	B	1	Stiftwanne	schwarz	PBT-GF		

THIS DRAWING IS A CONTROLLED DOCUMENT FOR TYCO ELECTRONICS CORPORATION. IT IS SUBJECT TO CHANGE AND THE CONTROLLING ENGINEERING ORGANIZATION SHOULD BE CONTACTED FOR THE LATEST REVISION.

DIMENSIONS: MASSEINHEITEN: mm

TOLERANCES UNLESS OTHERWISE SPECIFIED: ALLGEMEINTOLERANZEN

1 PLC ± ACC. TO DIN 16901-140

2 PLC ± CENTRIC TO NOMINAL DIM

3 PLC ±

ANGLES/WINKEL ±2

FINISH/OBERFLAECHE/FARBE s. Tab.

DWN	K. Sellien	23-Nov-98
CHK	B. Kirsch	23-Nov-98
APVD	S. Glaser	23-Nov-98
PRODUCT SPEC		
APPLICATION SPEC		
WEIGHT		
GEWICHT		

**AMP** AMP Deutschland GmbH  
D - 63225 Langen

NAME: AMPMODU MODU II Stiftleiste 2x5pol., ASSY

SIZE: A2 CAGE CODE: 00779 DRAWING NO. ZEICHNUNGS-NR.: 969587

RESTRICTED TO NUR FUER

CUSTOMER DRAWING /KUNDENZEICHNUNG SCALE MASSSTAB 5:1 SHEET BLATT OF VON REV. BI

# Mouser Electronics

Authorized Distributor

Click to View Pricing, Inventory, Delivery & Lifecycle Information:

[TE Connectivity:](#)

[969587-2](#)