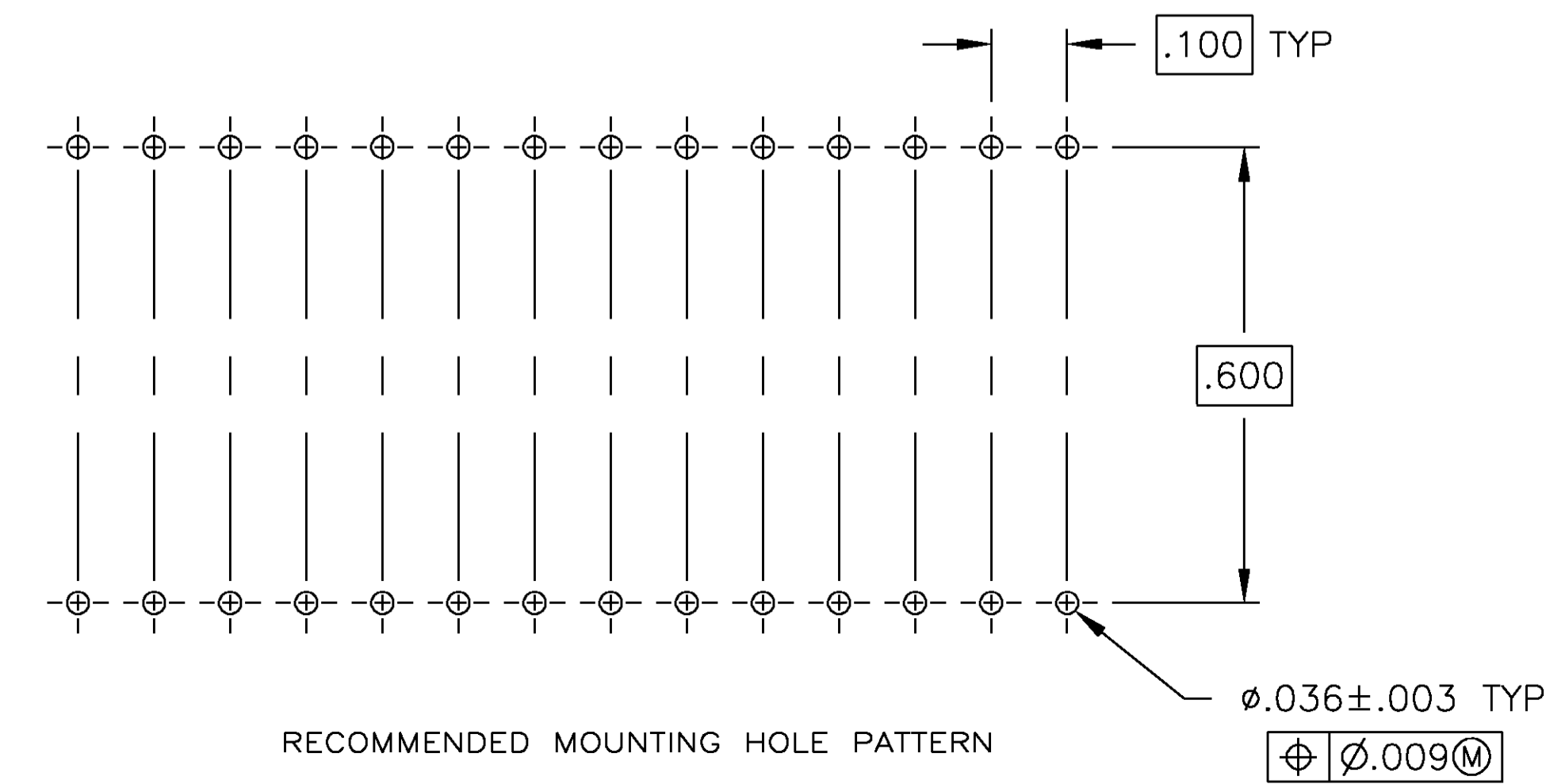
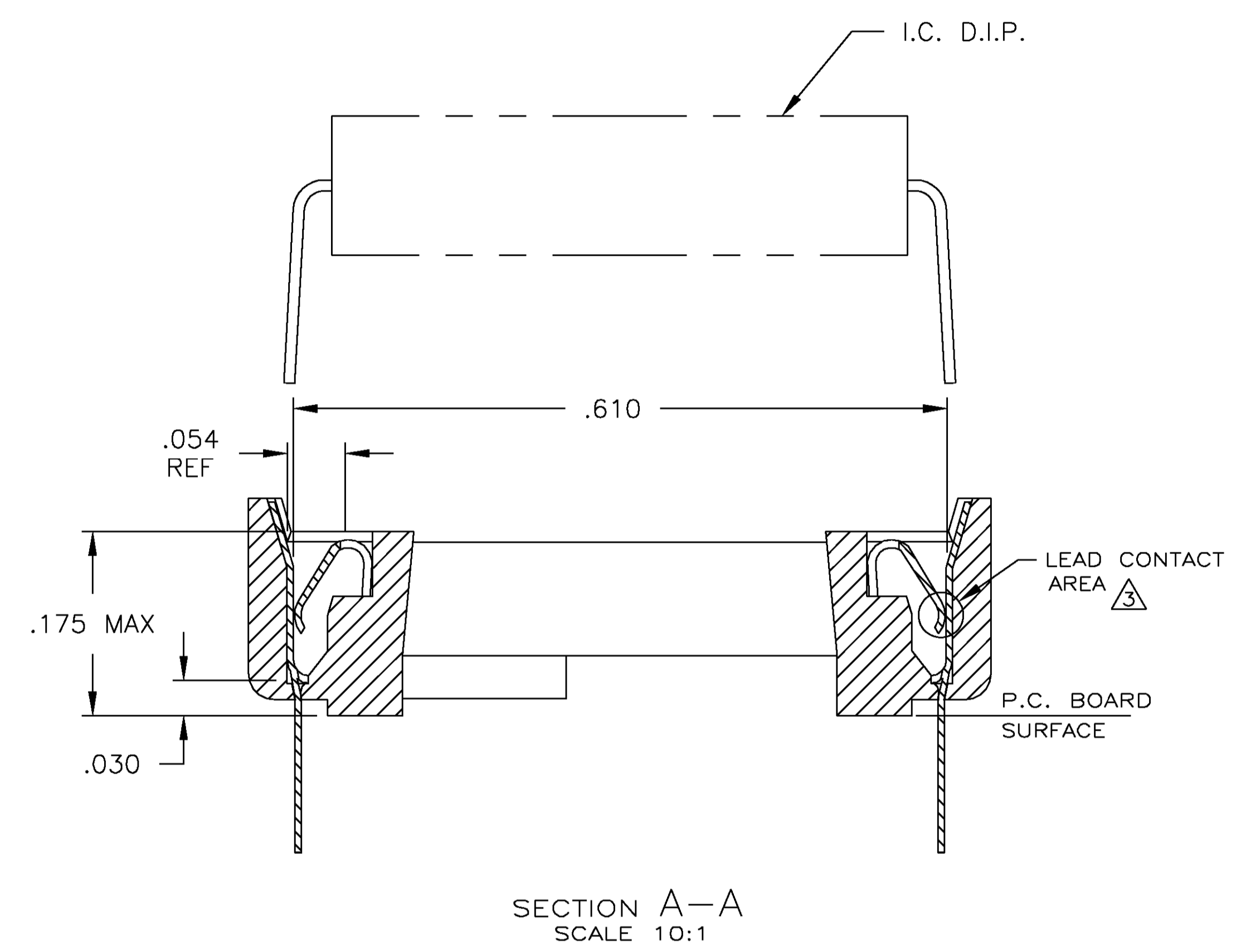
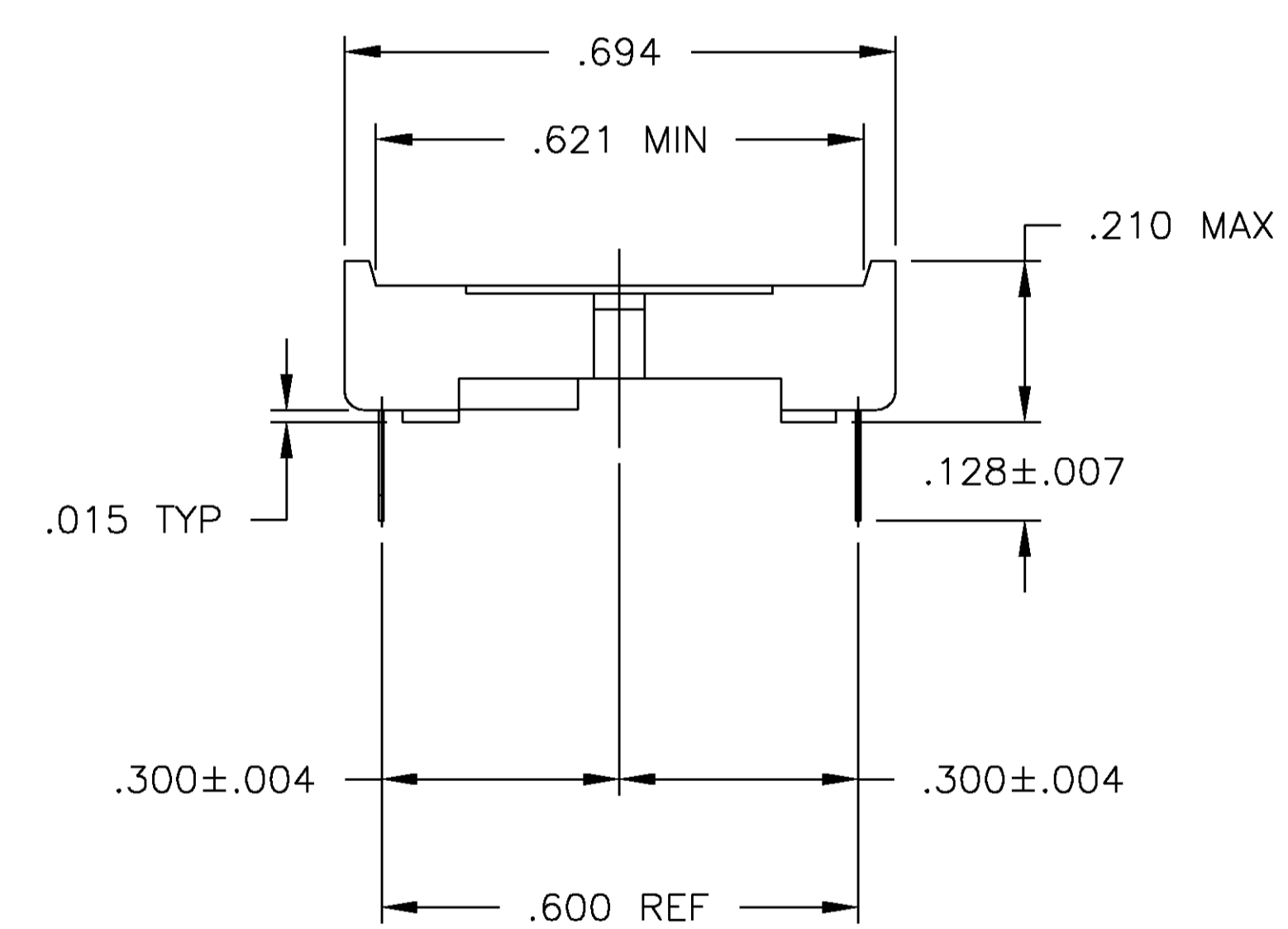
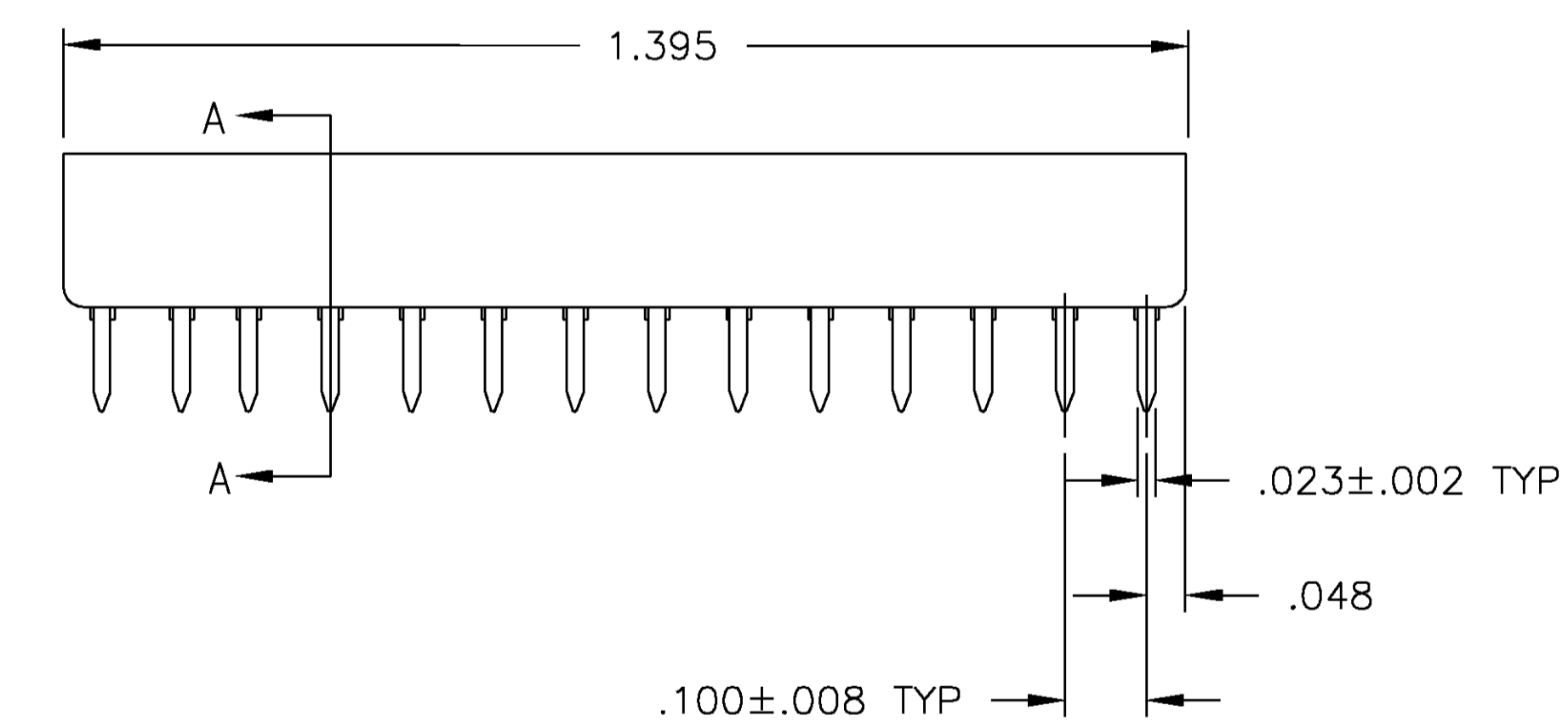
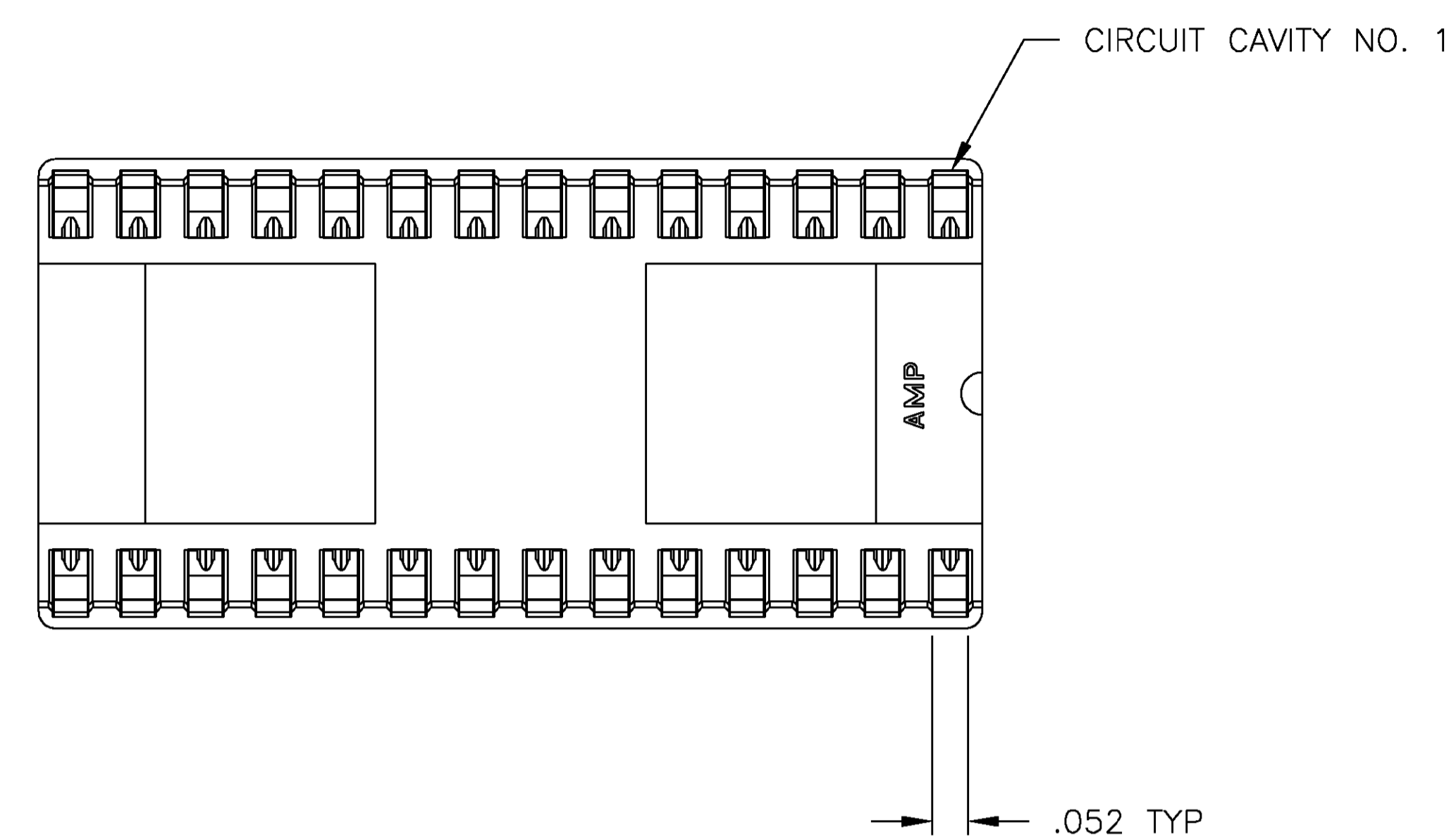


1. RECEPTACLE ACCEPTS A .008-.014 THICK I.C. LEAD.
2. TUBE LOADED.
3. TWO .000015 MIN THK. GOLD STRIPES IN CONTACT AREA WITH TIN-LEAD (93/7) ON SOLDER LEGS, BALANCE OF CONTACT NICKEL PLATED.



OBSELETE	3	PHOS. BRZ	BROWN GLASS-FILLED PCT	2-382467-4
		TINNED	PHOS. BRZ	BROWN GLASS-FILLED PCT
		TINNED	BE.CU.	BROWN GLASS-FILLED PCT
		CONTACT FINISH	CONTACT MAT'L	HOUSING MATERIAL
				PART NO.

THIS DRAWING IS A CONTROLLED DOCUMENT.		043401	
DRW	R BROWN	17NOV00	
CHK	H WYNKOOP		
APP'D	H WYNKOOP	17NOV00	
NAME	SOCKET ASSY, DIP, HT, 28 POS, DIPLOMATE™ DL		
PRODUCT SPEC	108-1066		
APPLICATION SPEC	114-1052		
SIZE	A1	CAGE CODE	00779
WEIGHT	-	DRAWING NO	382467
MATERIAL	SEE TABLE	FINISH	SEE TABLE
CUSTOMER DRAWING		SCALE	5:1
		SHEET	1 OF 1
		REV	G

Mouser Electronics

Authorized Distributor

Click to View Pricing, Inventory, Delivery & Lifecycle Information:

[TE Connectivity:](#)

[2-382467-3](#)