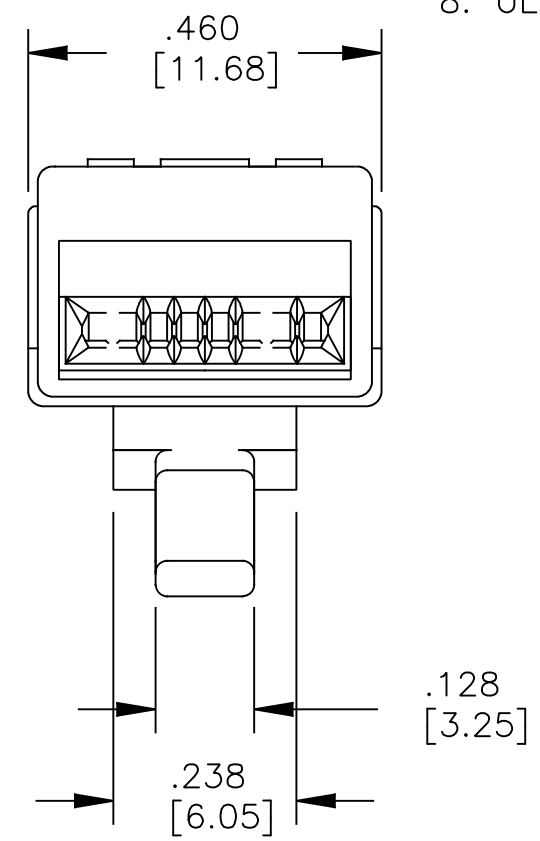
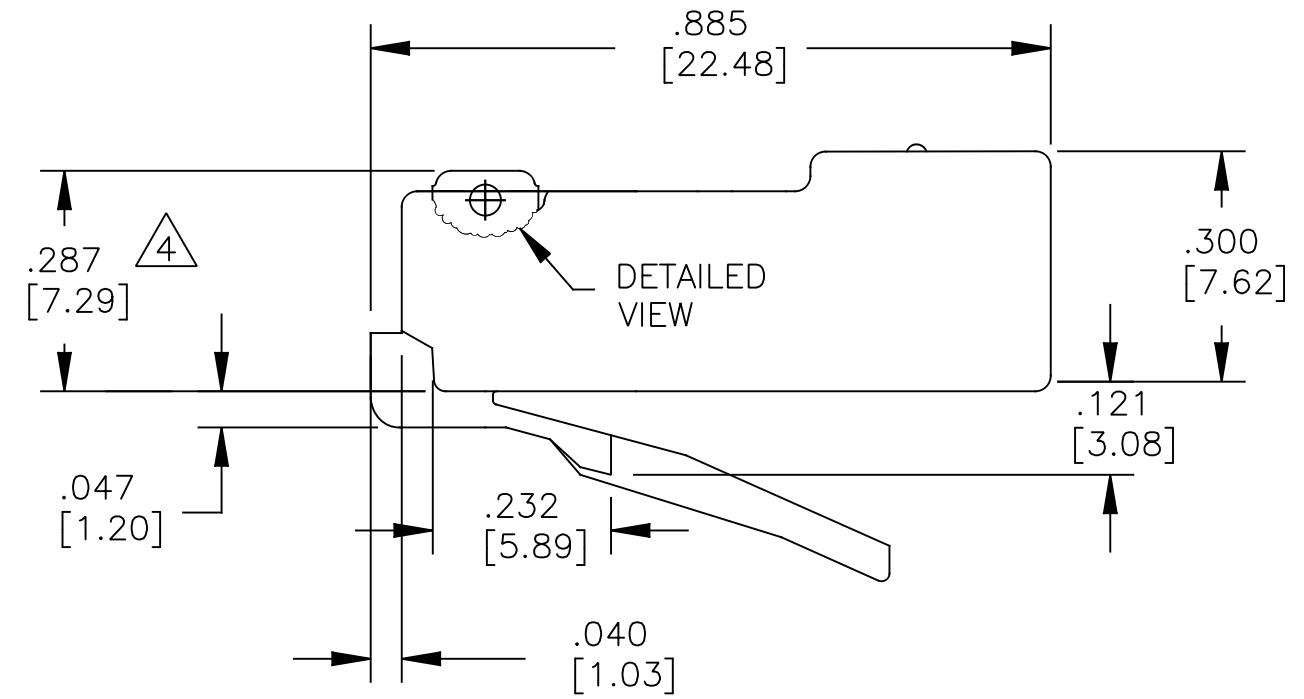
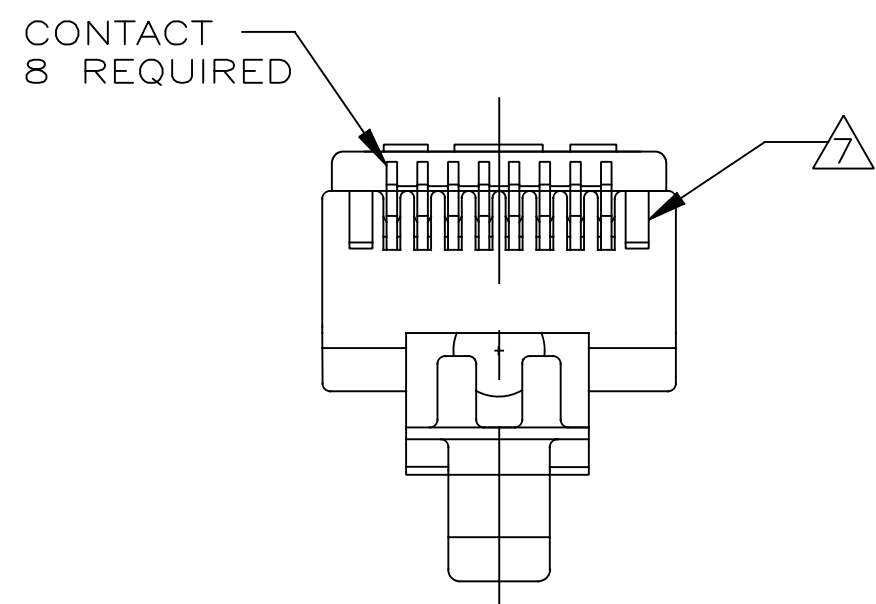
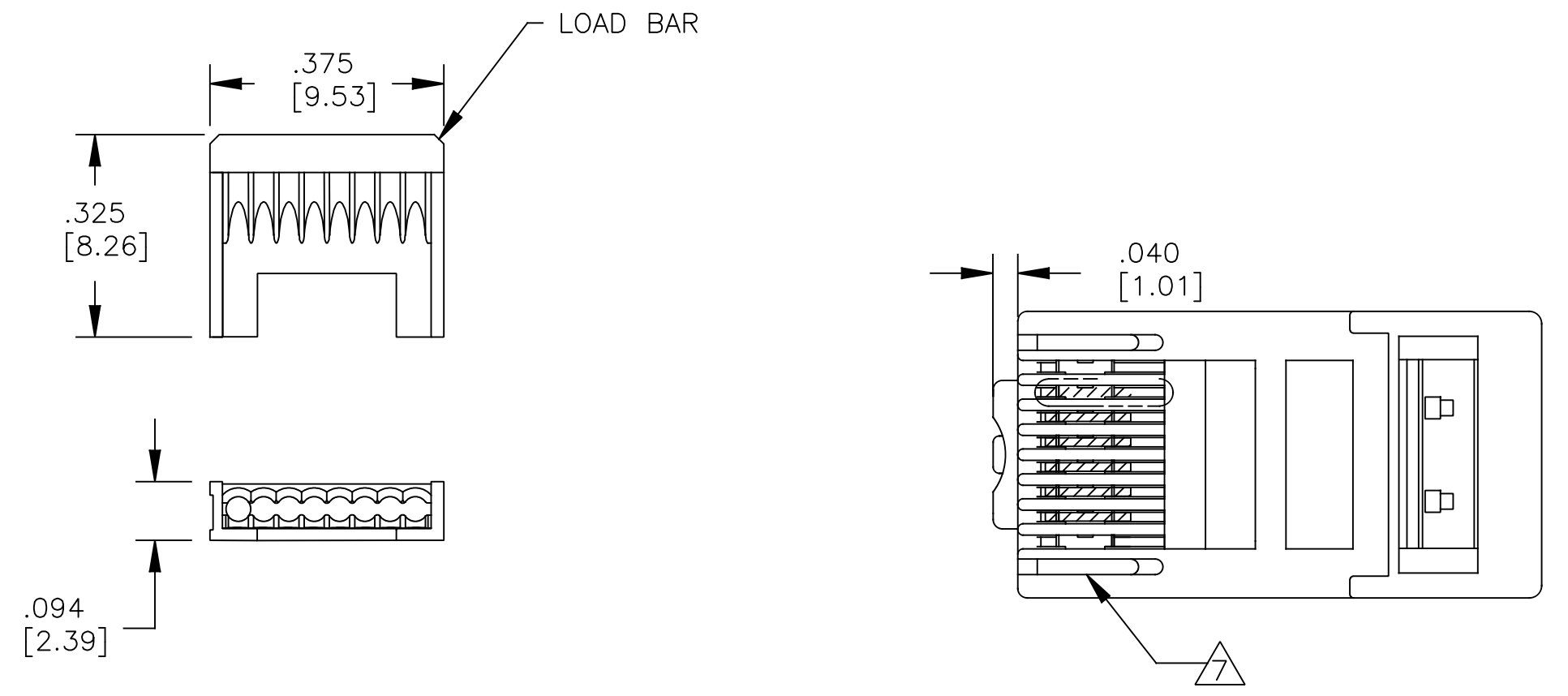


THIS DRAWING IS UNPUBLISHED. RELEASED FOR PUBLICATION
 © 2016 Commscope, INC. Confidential NOTICE: These drawings and specifications are the proprietary property of COMMSCOPE, INC. and may be used only for the specific purpose authorized in writing by COMMSCOPE, INC.

REVISIONS					
P	LTR	DESCRIPTION	DATE	DWN	APVD
	K2	REV; MCO-40027286MCO	14DEC2015	HG	JG
	L	REV PER BNS_CD_BRAND	20JAN2017	GG	DC



- 1 MATERIAL: HOUSING- POLYCARBONATE, CLEAR
 TERMINAL- .36 [.014] THICK PHOSPHOR BRONZE PLATED WITH .178[m [.000007] THICK GOLD IN LOCALIZED PLATE AREA OVER .762[m [.000030] THICK PALLADIUM NICKEL IN LOCALIZED PLATE AREA OVER 2.54[m [.000100] THICK NICKEL ON ENTIRE CONTACT.
- 2 DIMENSIONS ARE NOMINAL UNLESS OTHERWISE SPECIFIED.
- 3. PLUG WILL ACCEPT A 24,26 OR 28 AWG SOLID CONDUCTOR, PROVIDED THE INSULATED CONDUCTOR DIAMETER IS 0.89[.035] TO 0.99[.039]; WITH AN UNSHIELDED, PLIABLE, LOOSE CABLE JACKET OF 4.83[.190] TO 5.59[.220] DIAMETER OR AN UNSHIELDED, RIGID, HARD CABLE JACKET OF 4.83 [.190] TO 5.08[.200] DIAMETER.
- 4 TERMINATED DIMENSION 6.15[.242] MAXIMUM.
- 5 500 ASSEMBLIES AND 500 LOAD BARS PER PACKAGE.
- 6 100 ASSEMBLIES AND 100 LOAD BARS PER PACKAGE.
- 7 OPEN OR CLOSED CONSTRUCTION (CORING) ON EITHER SIDE OF CONTACTS (2 PLACES) IS ALLOWED IN INDICATED AREA.
- 8. UL RECOGNIZED: FILE NUMBER E81956.

6	5-569278-3
5	5-569278-2
PACKAGED	PART NUMBER

THIS DRAWING IS A CONTROLLED DOCUMENT.		DWN DL DRUMMOND 5-22-95	COMMSCOPE, INC.	
		CHK D. AHERON 5-22-95		
DIMENSIONS: mm[INCHES]		APVD E. LAURER 5-22-95	NAME	
TOLERANCES UNLESS OTHERWISE SPECIFIED:		PRODUCT SPEC 108-1163	MODULAR PLUG ASSEMBLY, 8 POSITION, ROUND CABLE, SOLID WIRE	
0 PLC ± -		APPLICATION SPEC 114-6016	SIZE A2	CAGE CODE -
1 PLC ± -		WEIGHT -	DRAWING NO C=569278	RESTRICTED TO -
2 PLC ± -		CUSTOMER DRAWING	SCALE 4:1	SHEET 1 of 1
3 PLC ± -			REV L	
4 PLC ± -				
ANGLES ± -				
FINISH				

569278

A

Mouser Electronics

Authorized Distributor

Click to View Pricing, Inventory, Delivery & Lifecycle Information:

[TE Connectivity Divested:](#)

[5-569278-2](#) [5-569278-3](#)