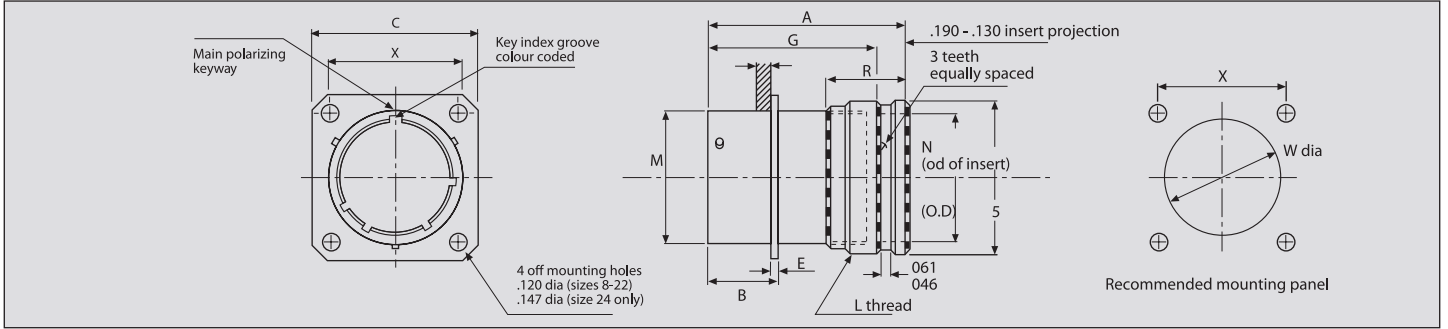


Shell Styles

Wall Mounting Receptacle – RR00E 6020 (Less Backshell)

Max. accommodation allowed for panel and screws is: shell sizes 8 – 18 (0.087”) shell sizes 20 – 24 (0.212”).

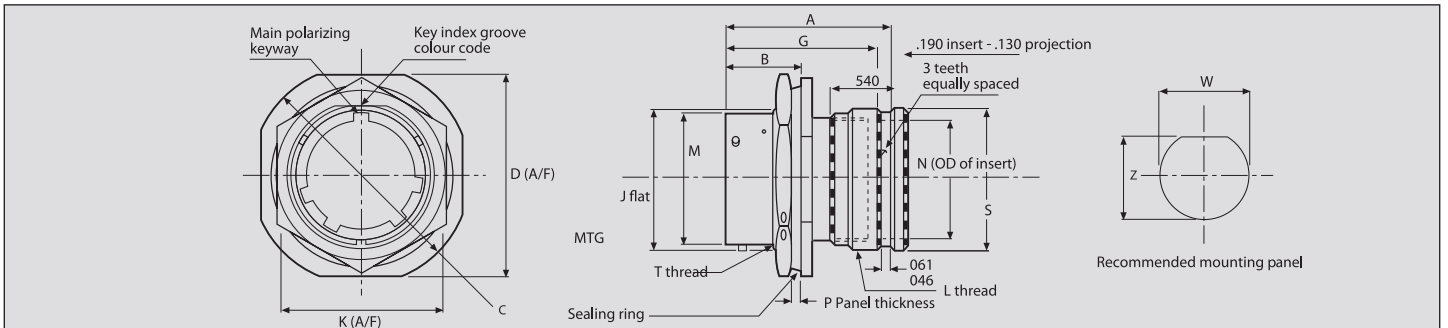


PART NUMBER	A MAX	B MAX	C SQ MAX	E ±.016	G MAX	L THREAD - 2A	M ±.003	N MAX	R MAX	S MAX	X ±.005	W ±.005
RR00E-08-*P/S*	1.492	.540	.828	.062	1.215	1/2 – 20 UNF	.471	.305	.540	.617	.594	.568
RR00E-10-*P/S*	1.492	.540	.954	.062	1.215	5/8 – 24 UNEF	.588	.405	.540	.734	.719	.685
RR00E-12-*P/S*	1.492	.540	1.047	.062	1.215	3/4 – 20 UNEF	.748	.531	.540	.858	.812	.864
RR00E-14-*P/S*	1.492	.540	1.141	.062	1.215	7/8 – 20 UNEF	.873	.665	.540	.984	.906	.989
RR00E-16-*P/S*	1.492	.540	1.234	.062	1.215	1 – 20 UNEF	.998	.790	.540	1.112	.969	1.113
RR00E-18-*P/S*	1.492	.540	1.328	.062	1.215	1 1/16 – 18 UNEF	1.123	.869	.540	1.218	1.062	1.238
RR00E-20-*P/S*	1.552	.697	1.453	.094	1.275	1 3/16 – 18 UNEF	1.248	.994	.540	1.345	1.156	1.363
RR00E-22-*P/S*	1.552	.697	1.578	.094	1.275	1 5/16 – 18 UNEF	1.373	1.119	.540	1.468	1.250	1.488
RR00E-24-*P/S*	1.552	.730	1.703	.094	1.275	1 7/16 – 18 UNEF	1.498	1.244	.540	1.593	1.375	1.615

All dimensions are in inches unless stated otherwise.

Jam Nut Receptacle – RR07E 6027 (Less Backshell)

The 'D' flat is for locating purposes. The wrench flats on the flange are provided to aid assembly to the panel.

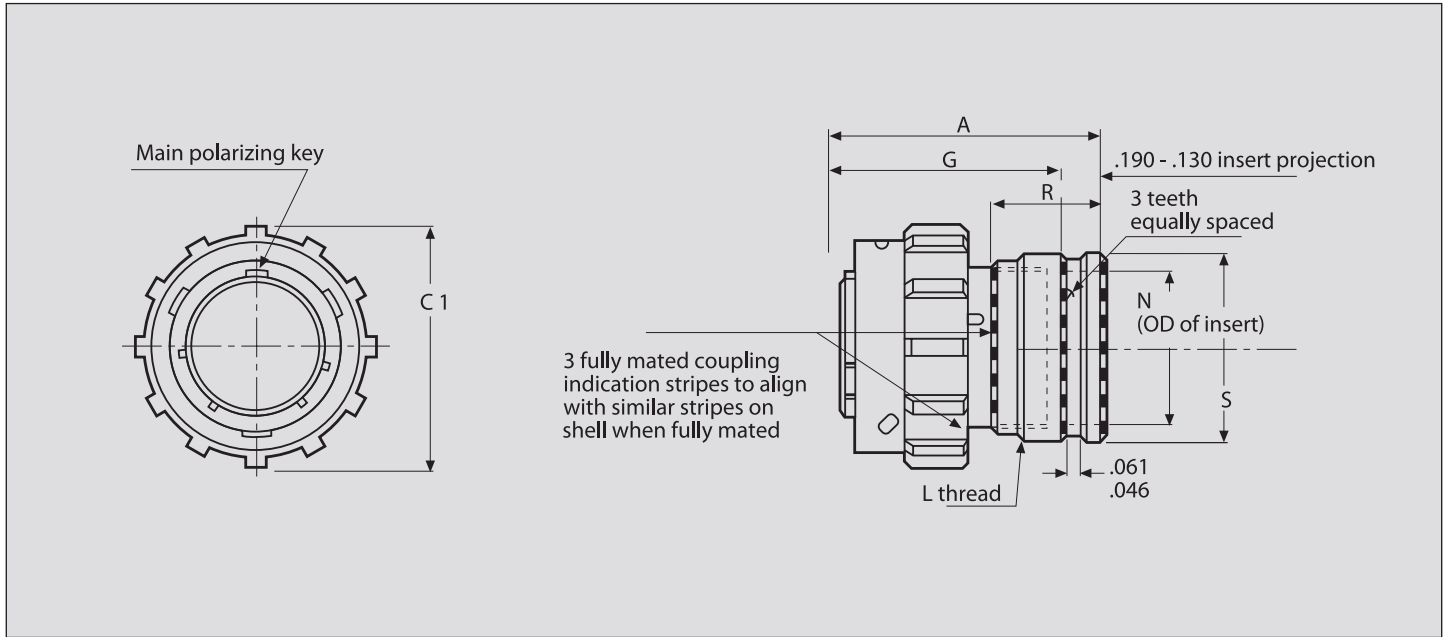


PART NUMBER	A MAX	B	C MAX	D MAX	G MAX	J +.000 - .010	K MAX	L THREAD - 2A	M ±.003	N MAX	P	S MAX	T THREAD - 2A	W ±.005	Z ±.005
RR07E-08-*P/S*	1.492	.707 .691	1.078	.954	1.215	.530	.767	1/2 – 20 UNF	.471	.305	.187 .062	.617	9/16 – 24 UNF	.572	.536
RR07E-10-*P/S*	1.492	.707 .691	1.203	1.078	1.215	.655	.892	5/8 – 24 UNEF	.588	.405	.187 .062	.734	1 1/16 – 24 UNEF	.697	.661
RR07E-12-*P/S*	1.492	.707 .691	1.391	1.266	1.215	.818	1.079	3/4 – 20 UNEF	.748	.531	.187 .062	.858	7/8 – 20 UNEF	.895	.824
RR07E-14-*P/S*	1.492	.707 .691	1.516	1.391	1.215	.942	1.205	7/8 – 20 UNEF	.873	.665	.187 .062	.984	1 – 20 UNEF	1.010	.948
RR07E-16-*P/S*	1.492	.707 .691	1.641	1.516	1.215	1.066	1.329	1 – 20 UNEF	.998	.790	.187 .062	1.112	1 1/8 – 18 UNEF	1.135	1.072
RR07E-18-*P/S*	1.492	.707 .691	1.766	1.641	1.215	1.191	1.455	1 1/16 – 18 UNEF	1.123	.869	.187 .062	1.218	1 1/4 – 18 UNEF	1.260	1.197
RR07E-20-*P/S*	1.552	.772 .754	1.954	1.828	1.275	1.316	1.579	1 3/16 – 18 UNEF	1.248	.994	.250 .062	1.345	1 3/8 – 18 UNEF	1.385	1.322
RR07E-22-*P/S*	1.552	.772 .754	2.078	1.954	1.275	1.441	1.705	1 5/16 – 18 UNEF	1.373	1.119	.250 .062	1.468	1 1/2 – 18 UNEF	1.510	1.447
RR07E-24-*P/S*	1.552	.772 .754	2.203	2.078	1.275	1.566	1.829	1 7/16 – 18 UNEF	1.498	1.244	.219 .062	1.593	1 5/8 – 18 UNEF	1.635	1.572

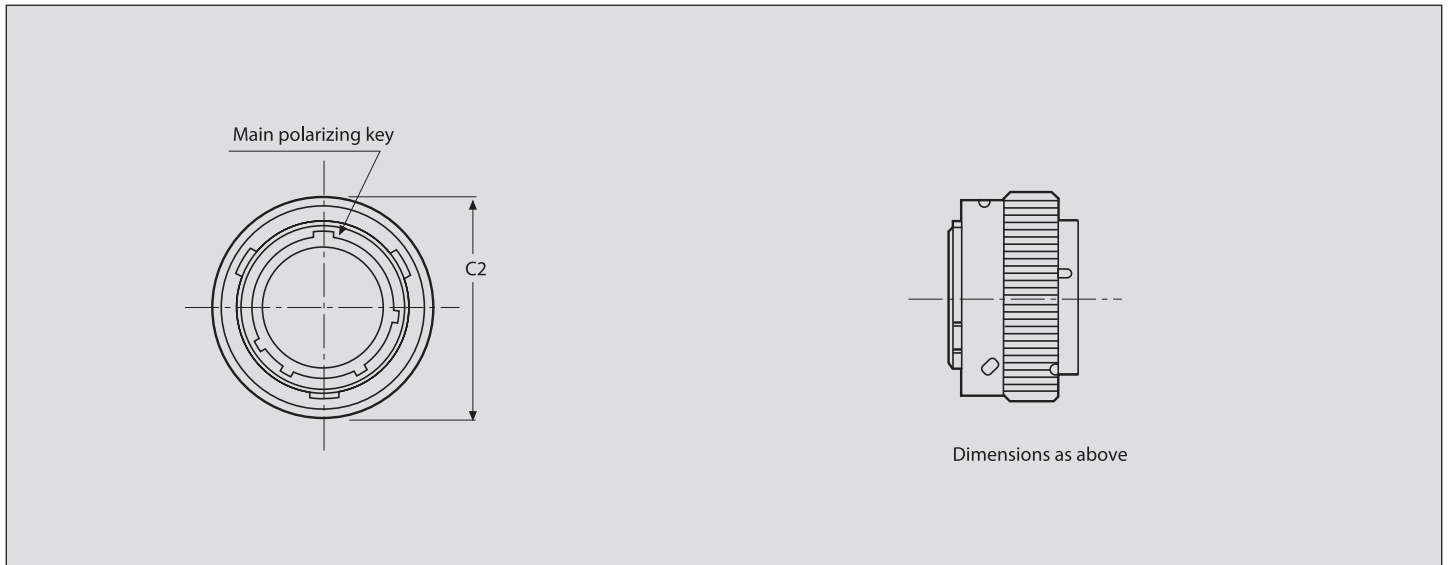
All dimensions are in inches unless stated otherwise.

Shell Styles... cont.

Free Plug with Ribbed Coupling Ring - RR05E



Free Plug with Knurled Coupling Ring - RR06E/6026 (Less Backshell)

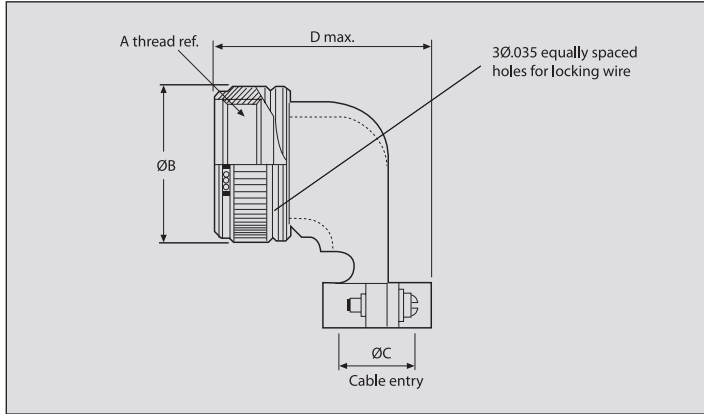


PART NUMBER RR05 OR RR06	A MAX	C1 MAX	C2 MAX	G MAX	L THREAD - 2A	N MAX	R MAX	S MAX
RR0*E-08-*P/S*	1.507	.892	.782	1.230	1/2 - 20 UNF	.305	.540	.617
RR0*E-10-*P/S*	1.507	1.017	9.26	1.230	5/8 - 24 UNEF	.405	.540	.734
RR0*E-12-*P/S*	1.507	1.142	1.043	1.230	3/4 - 20 UNEF	.531	.540	.858
RR0*E-14-*P/S*	1.507	1.267	1.183	1.230	7/8 - 20 UNEF	.665	.540	.984
RR0*E-16-*P/S*	1.507	1.454	1.305	1.230	1 - 20 UNEF	.790	.540	1.112
RR0*E-18*P/S*	1.507	1.563	1.391	1.230	1-1/16-18 UNEF	8.869	.540	1.218
RR0*E-20*P/S*	1.507	1.687	1.531	1.230	1-3/16-18 UNEF	.994	.540	1.345
RR0*E-22-*P/S*	1.507	1.797	1.656	1.230	1-5/16-18 UNEF	1.119	.540	1.468
RR0*E-24-*P/S*	1.507	1.922	1.777	1.230	1-7/16-18 UNEF	1.244	.540	1.593

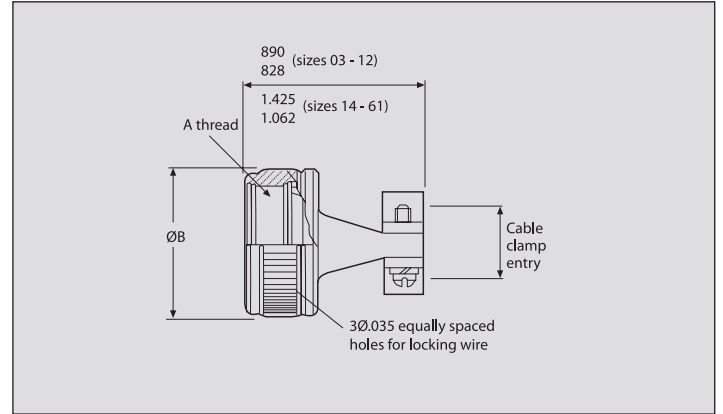
All dimensions are in inches unless stated otherwise.

Standard Accessories

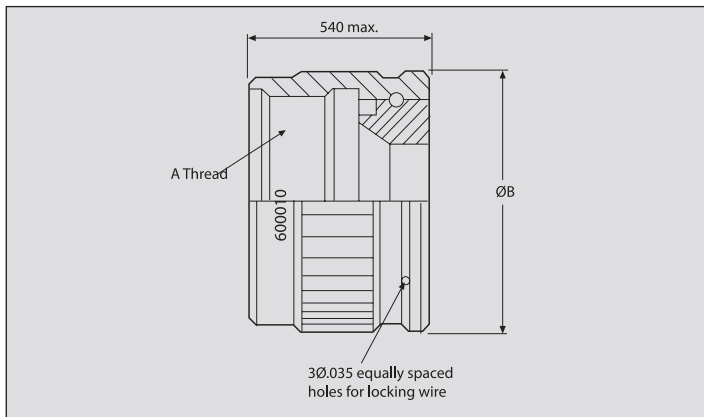
90° Backshell with strain relief 600027 – **¹–**²



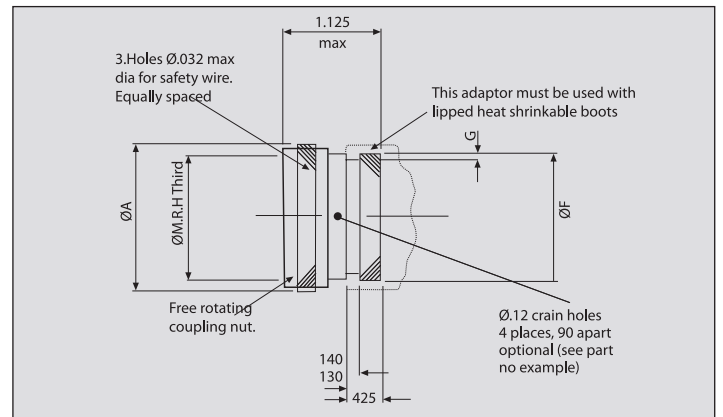
Backshell with strain relief 600026 – **¹–**²



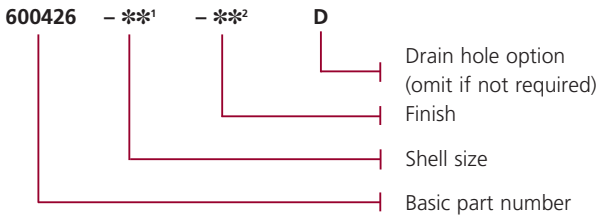
Backshell 600019 – **¹–**²



Heatshrink boot adaptor 600426 – **¹–**²



Part Number Example



** ¹ SHELL SIZE	OVERALL DIAMETER	THREAD SIZE
08	.615	1/2 - 20 UNF - 2B
10	.734	5/8 - 24 UNEF - 2B
12	.858	3/4 - 20 UNEF - 2B
14	.984	7/8 - 20 UNEF - 2B
16	1.112	1 - 20 UNEF - 2B
18	1.218	1 1/16 - 18 UNEF - 2B
20	1.345	1 3/16 - 18 UNEF - 2B
22	1.468	1 5/16 - 18 UNEF - 2B
24	1.593	1 7/16 - 18 UNEF - 2B

All dimensions are in inches unless stated otherwise.

** ²	FINISH
12	Cadmium plated olive drab
58	Electroless nickel
87	Black anodised
12NK	Cad plate olive drab, over nickel plate

Protective Covers

For plug (free)

Knurled, with chain and eyelet	600117 – ** – 12
Knurled, less chain	600116 – ** – 12
Knurled, with nylon cord and eyelet	600118 – ** – 12
Ribbed, with chain and eyelet	600074 – ** – 12
Ribbed, less chain	600076 – ** – 12
Ribbed, with nylon cord and eyelet	600075 – ** – 12

For receptacle (fixed)

Knurled, with chain and eyelet	600115 – ** – 12
Knurled, with chain and anchor ring	600114 – ** – 12
Knurled, less chain	600111 – ** – 12
Knurled, with nylon cord and eyelet	600113 – ** – 12
Knurled, with nylon cord and anchor ring	600112 – ** – 12
Ribbed, with chain and eyelet	600066 – ** – 12
Ribbed, with chain and anchor ring	600065 – ** – 12
Ribbed, less chain	600068 – ** – 12
Ribbed, with nylon cord and eyelet	600067 – ** – 12
Ribbed, with nylon cord and anchor ring	600073 – ** – 12

Cable bushing for strain relief backshell 600036 – **

Eyelet for screw fixing, anchor ring for jam nut fixing.

** = shell size

Mouser Electronics

Authorized Distributor

Click to View Pricing, Inventory, Delivery & Lifecycle Information:

[TE Connectivity:](#)

[RR06E-22-55SN-9298](#)