

| ATLANTIC VERSION TERMINATOR INTERFACE ADAPTER | PART NUMBER | REVISION | DESCRIPTION | FEED TYPE | |
|---|-------------|----------|--------------------------|--|------------------------|
| | 2266069-1 | B | FINE CRIMP HEIGHT ADJUST | MECHANICAL | SUPERSEDED 5-2151109-1 |
| | 2266069-2 | B | FINE CRIMP HEIGHT ADJUST | PNEUMATIC | SUPERSEDED 5-2151109-2 |
| | 2266069-5 | B | FINE CRIMP HEIGHT ADJUST | SERVO LATCH PLATE ⁴ | OBSOLETE |
| | 2266069-6 | B | NON CRIMP HEIGHT ADJUST | SERVO LATCH PLATE ⁴ ¹² | OBSOLETE |
| | 2266069-7 | B | FINE CRIMP HEIGHT ADJUST | NONE | OBSOLETE |
| | 7-2266069-7 | A | CRIMP TOOLING KIT | - | |

| APPLICATOR DATA | | |
|-----------------|----------------|------|
| CRIMP | SIZE | TYPE |
| WIRE | 2.79 mm [.110] | F |
| INSUL | 4.32 mm [.170] | O |

APPLICATOR INSTRUCTIONS
408-10389

| TERMINAL DATA: TE TERMINAL | | TE CRIMP SPECIFICATION | |
|---|-------------|------------------------------|----------|
| TERMINAL NAME: JUNIOR-POWER-TIMER CONTACT | | | |
| WIRE STRIP LENGTH | | INSULATION DIAMETER RANGE | |
| 4.90-5.50 mm [.193-.217 IN] | | Ø2.20-3.00 mm [.087-.118 IN] | |
| TERMINAL APPLICATION SPECIFICATION | 114-18050 | | |
| TERMINALS APPLIED | | | |
| TE TERMINAL | TE TERMINAL | TE TERMINAL | TE SEAL |
| 927766-1 | 2-927766-1 | 929937-7 | 828905-1 |
| 927766-3 | 929937-1 | 1-929937-1 | |
| 927766-8 | 929937-3 | 2-929937-1 | |
| 1-927766-1 | 929937-6 | | |

| WIRE SIZE | CRIMP HEIGHT mm [INCH] | CRIMP HEIGHT REFERENCE SETTING |
|---------------------|----------------------------|--------------------------------|
| 2.50mm ² | 1.77+/-0.05 [.070+/-0.002] | 5.1 |
| 2.00mm ² | 1.64+/-0.05 [.065+/-0.002] | 6.4 |
| 1.50mm ² | 1.51+/-0.05 [.059+/-0.002] | 7.8 |

- RECOMMENDED SPARE PARTS
- GREASE BEARING SURFACES LIGHTLY
- 3. LUBRICATE DAILY PER THE APPLICATOR INSTRUCTION SHEET SUPPLIED WITH THE APPLICATOR.
- APPLICATOR SPECIFIC DATA TO BE ENTERED INTO BLANK MEMORY CHIP AT ASSEMBLY. SEE BELOW FOR PART NUMBER:
 - MECHANICAL FEED WITH "SMART APPLICATOR" CONVERSION: 8-2266069-4
 - PNEUMATIC FEED WITH "SMART APPLICATOR" CONVERSION: 8-2266069-4
 - SERVO FEED WITH "FINE CRIMP HEIGHT ADJUST": 8-2266069-5
 - SERVO FEED WITH "NON-CRIMP HEIGHT ADJUST": 8-2266069-6
- 5. ADJUSTMENT OF THE STRIPPER MAY BE REQUIRED WHEN MOVING THE APPLICATOR BETWEEN BENCH AND LEADMAKER APPLICATIONS.
- APPLY PART NUMBER 1-23419-5 LOCTITE TO THREADS OF ITEMS 50 & 62. APPLY PART NUMBER 2-23419-6 LOCTITE TO THREADS OF ITEM 242. FOR -6 ONLY APPLY PART NUMBER 1-23419-5 LOCTITE TO THREADS OF ITEMS 37 & 50.
- GREASE THREADS, GROOVE AND O-RING ON ITEMS 35 & 252.
- MAGNET, ITEM 166 MUST BE ORIENTED CORRECTLY IN ORDER TO PROPERLY ACTUATE THE COUNTER.
- CRIMP HEIGHT REFERENCE SETTING WAS THE SETTING USED WHEN THE APPLICATOR WAS QUALIFIED AT THE FACTORY. ADJUSTMENT MAY BE NECESSARY WHEN RUNNING APPLICATOR IN THE FIELD.
- SPARE FEED CAM STORAGE LOCATION REFER TO INSTRUCTION SHEET FOR ADDITIONAL INFORMATION.
- TO CONVERT THE APPLICATOR TO A NON-CARRIER CUTTING STYLE, REMOVE ITEM 13 AND ATTACH TO THE LOCATION ON THE BACK SIDE OF THE HOUSING. REFER TO INSTRUCTION SHEET FOR ADDITIONAL INFORMATION.
- WHEN ASSEMBLING -6 NON-CRIMP HEIGHT ADJUST APPLICATOR USE SHIM PACK 2119957-2 TO ALIGN APPLICATOR'S MAXIMUM WIRE CRIMP HEIGHT AT NORMAL TERMINATOR SHUT HEIGHT
- THIS APPLICATOR APPLIES TERMINAL WITH A SEAL. INSULATION DIAMETER OF SEAL IS Ø2.2-3.0mm.
- APPLY TORO-SEAL IN ALLEN SOCKET TO FILL HOLE AFTER FLAT HD HAS BEEN ADJUSTED TO CORRECT HEIGHT AT QUALIFICATION. APPLY #1-23419-5 LOC-TITE TO THREADS.
- THIS APPLICATOR IS SPECIFIC FOR USE IN A STRIPPER SEAL TERMINATING UNIT.

***WARNING**
ON INSTALLATION, SET WIRE DISC, ITEM 40 TO LARGEST WIRE SIZE SETTING. USE OF SETTINGS BELOW MINIMUM REQUIRED CRIMP HEIGHT SETTING WILL CAUSE DAMAGE TO CRIMP TOOLING.

| -77 | -7 | -6 | -5 | -2 | -1 | PART NO | DESCRIPTION | ITEM NO |
|-----|----|----|----|----|----|-----------|----------------------|---------|
| - | - | 1 | - | - | - | 2119957-2 | APPLICATOR SHIM PACK | 260 |

ATLANTIC VERSION
Shown on sheets 1 of 4 & 2 of 4
(Pacific version shown on sheets 3 of 4 & 4 of 4)

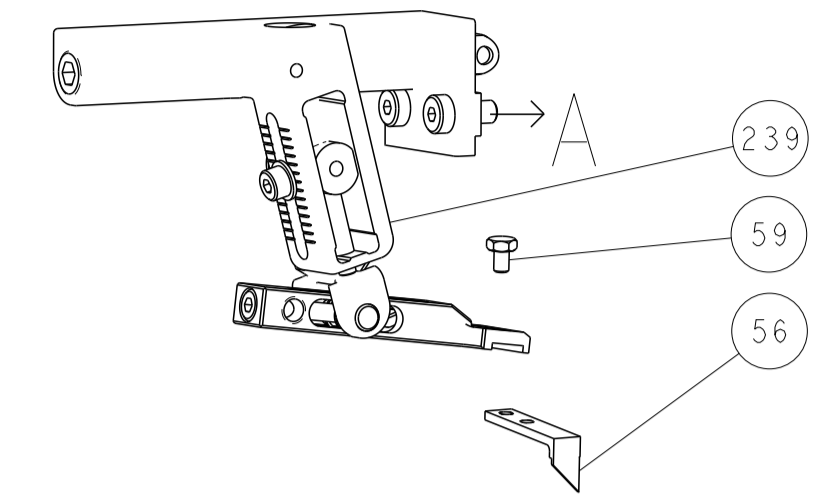
| SET UP GAUGE | LOC | DIST | REVISIONS | | | | | |
|--------------|-----|------|-----------|-----|---------------|-----------|-----|------|
| 2119599-1 | A | 66 | # | LTN | DESCRIPTION | DATE | OWN | APVD |
| | | | 1 | | DEVELOPMENT | 09OCT2013 | YY | UG |
| | | | A | | RELEASED | 19NOV2013 | YY | UG |
| | | | B | | ECR-17-007984 | 02JUN2017 | KH | CT |
| | | | B1 | | ECR-18-012124 | 30JUL2018 | TB | TE |

| | | | | | | | | |
|---|-----|-----|-----|-----|-----|-------------|-------------------------------------|-----|
| - | 1 | - | 1 | 1 | 1 | 8-21084-0 | O-RING, .676 ID, .070 DIA. MAT. | 252 |
| - | - | - | - | 1 | - | 2119640-1 | PUSH ROD, AIR FEED | 250 |
| - | - | - | - | 1 | - | 2079988-1 | BUSHING, LCH5-12, MISUMI | 249 |
| - | - | - | - | 1 | - | 2119641-1 | FEED CAM, AIR FEED | 248 |
| - | 1 | - | 1 | 1 | 1 | 2119798-1 | DETENT PIN | 247 |
| - | 1 | - | 1 | 1 | 1 | 1-22279-3 | SPRING, COMPRESSION | 246 |
| - | - | 1 | - | - | - | 2119758-1 | RAM, AMP STYLE, SIDE FEED, NON-ADJ. | 245 |
| - | 1 | 1 | 1 | 1 | 1 | 2119082-7 | CAM, SNAIL, INSULATION ADJUSTMENT | 244 |
| - | 1 | 1 | 1 | 1 | 1 | 2079764-1 | WASHER, WAVE SPRING, CREST-TO-CREST | 243 |
| | 1 | 1 | 1 | 1 | 1 | 2119083-1 | RETAINER, INSULATION DIAL | 242 |
| - | 1 | 1 | 1 | 1 | 1 | 7-18023-7 | SCR, SKT HD CAP M3 X 4.0 | 241 |
| - | - | 2 | 2 | - | - | 2168400-6 | SHCS, LOW HEAD, RoHS, M5 X 16 | 240 |
| - | - | - | - | - | 1 | 2119580-1 | MECHANICAL FEED ASSEMBLY | 239 |
| - | - | - | - | - | 1 | 2063440-1 | AIR FEED MODULE | 238 |
| - | - | 1 | 1 | - | - | 2119740-2 | TAG, IDENTIFICATION | 213 |
| - | - | 1 | 1 | - | - | 1901094-3 | SPACER, FEEDER | 198 |
| - | 1 | 1 | 1 | 1 | 1 | 993111-1 | PIN, SLOTTED SPRING 3.0 X 20.0 | 177 |
| - | 1 | 1 | 1 | 1 | 1 | 5-22280-0 | SPRING, COMPRESSION | 176 |
| - | 1 | 1 | 1 | 1 | 1 | 1752353-3 | GUIDE PIN, HOLDDOWN | 175 |
| - | 1 | 1 | 1 | 1 | 1 | 1901680-2 | GUIDE PIN, HOLDDOWN | 174 |
| - | - | - | - | 2 | - | 21045-3 | RING, RETAIN, EXTERN, 3/16 CRESCENT | 172 |
| - | 1 | 1 | 1 | 1 | 1 | 994969-1 | MAGNET, RARE EARTH HIGH ENERGY | 166 |
| - | REF | REF | REF | REF | REF | 994970-2 | COUNTER, MAGNETIC | 164 |
| - | - | - | - | 1 | - | 240638-1 | SPRING, FEED FINGER | 163 |
| - | - | - | - | 1 | - | 3-23627-7 | PIN, RETAIN, GRVD, 3/16 X .854 | 137 |
| - | - | - | - | 1 | - | 2119799-1 | HOLDER, FEED FINGER, AF | 136 |
| - | - | REF | REF | - | - | SEE NOTE 4 | MEMORY CHIP, PROGRAMMED | 135 |
| - | - | 1 | 1 | - | - | 1633743-1 | SERVO FEED LATCH ASM | 133 |
| - | 1 | 1 | 1 | 1 | 1 | 1-18028-2 | WASHER, FLAT, REG M4 | 119 |
| - | - | REF | REF | - | - | 2119944-1 | FEED FINGER ASSEMBLY, SF | 117 |
| - | 1 | 1 | 1 | 1 | 1 | 455888-5 | SPACER, CRIMPER | 82 |
| - | 1 | 1 | 1 | 1 | 1 | 2119956-1 | DOCUMENTATION PACKAGE | 71 |
| - | 1 | - | - | 1 | 1 | 2119740-1 | TAG, IDENTIFICATION | 67 |
| - | 2 | 2 | 2 | 2 | 2 | 2168078-1 | SCREW, DRIVE, RH, RoHS, 2 x .188 | 66 |
| - | 1 | - | 1 | 1 | 1 | 2119793-1 | LIMITER, ADJUSTMENT BOLT | 63 |
| | 3 | - | 3 | 3 | 3 | 992763-5 | SCR, SET, SOC, CONE PNT, M3 X 4.0 | 62 |
| - | 1 | 1 | 1 | 1 | 1 | 2079383-4 | SCR, BHSC, RoHS (M4 X 8) | 60 |
| - | - | - | - | 1 | 1 | 5-18022-5 | SCR, HEX HD CAP, M4 X 6.0 | 59 |
| | 1 | 1 | 1 | 1 | 1 | 985575-3 | SCR, FLT SKT HD CAP M3 X 10.0 | 57 |
| - | - | - | - | 1 | 1 | 1338685-1 | PAWL, FEED | 56 |
| - | 4 | 4 | 4 | 4 | 4 | 2168400-1 | SHCS, LOW HEAD, RoHS, M4 X 12 | 54 |
| - | 1 | 1 | 1 | 1 | 1 | 1-5018030-0 | NUT, HEX, REG, RoHS, M3.5 | 52 |
| - | 1 | 1 | 1 | 1 | 1 | 4-1722335-3 | STRIPPER, SIDE FEED | 51 |
| | 1 | 1 | 1 | 1 | 1 | 2-1752354-4 | STANDOFF, HOLD-DOWN | 50 |
| - | - | - | - | 1 | 2 | 18023-9 | SCR, SKT HD CAP M4 X 6.0 | 49 |
| - | - | - | - | - | 1 | 2119652-1 | FEED CAM, PRE FEED | 48 |
| - | - | - | - | - | 1 | 2119653-1 | FEED CAM, POST FEED | 47 |
| - | 1 | 1 | 1 | 1 | 1 | 2-2119656-1 | APPLICATOR BASIC ASSEMBLY, SF | 46 |
| - | 1 | - | 1 | 1 | 1 | 2119370-1 | RAM, AMP STYLE, SIDE FEED | 44 |
| - | 1 | 1 | 1 | 1 | 1 | 2079383-7 | SCR, BHSC, RoHS (M8 X 25) | 41 |
| - | 1 | - | 1 | 1 | 1 | 2119645-1 | DISC, NUMBERED FA WIRE ADJUSTMENT | 40 |
| - | 1 | - | 1 | 1 | 1 | 2119957-1 | APPLICATOR SHIM PACK | 39 |
| | 1 | 1 | 1 | 1 | 1 | 1-2119644-2 | RAM WASHER, PRECISION | 38 |
| - | 1 | - | 1 | 1 | 1 | 2119085-1 | FA HEAD, ATLANTIC STYLE | 37 |
| - | 1 | - | 1 | 1 | 1 | 2119092-1 | BOLT, ADJUSTMENT | 35 |
| - | 1 | 1 | 1 | 1 | 1 | 1-1752356-8 | SUPPORT, TERMINAL | 34 |
| - | 2 | 2 | 2 | 2 | 2 | 2079383-5 | SCR, BHSC, RoHS (M4 X 20) | 33 |
| - | 1 | 1 | 1 | 1 | 1 | 2161328-1 | HEX HEAD, FLANGED, M5 X 8mm LONG | 32 |
| - | 1 | 1 | 1 | 1 | 1 | 1320908-8 | SPACER, STRIP GUIDE | 30 |
| - | 1 | 1 | 1 | 1 | 1 | 2119959-1 | ASSEMBLY, STRIP GUIDE | 29 |
| - | 1 | 1 | 1 | 1 | 1 | 455888-3 | SPACER, CRIMPER | 28 |
| - | 1 | 1 | 1 | 1 | 1 | 1320928-1 | STRIP GUIDE | 24 |
| | 1 | 1 | 1 | 1 | 1 | 2119806-1 | INSERT, SHEAR | 13 |
| - | 1 | 1 | 1 | 1 | 1 | 3-22280-3 | SPRING, COMPRESSION | 12 |
| - | 1 | 1 | 1 | 1 | 1 | 1-356885-4 | STOP, SHEAR | 11 |
| | 1 | 1 | 1 | 1 | 1 | 2119805-1 | SHEAR HOLDER, FRONT | 10 |
| | 1 | 1 | 1 | 1 | 1 | 318707-1 | FLOATING SHEAR, FRONT | 9 |
| | 1 | 1 | 1 | 1 | 1 | 1-1333207-0 | ANVIL, COMBINATION .110 | 8 |
| - | 1 | 1 | 1 | 1 | 1 | 2119781-1 | DEPRESSOR, SHEAR | 5 |
| - | 1 | 1 | 1 | 1 | 1 | 5-238011-5 | BLOCK, CRIMPER SPACER | 4 |
| | 1 | 1 | 1 | 1 | 1 | 1-1633965-4 | CRIMPER, INSULATION O PREMIUM | 3 |
| - | 1 | 1 | 1 | 1 | 1 | 1-455888-6 | SPACER, CRIMPER | 2 |
| | 1 | 1 | 1 | 1 | 1 | 2-456408-0 | CRIMPER, WIRE PREMIUM | 1 |

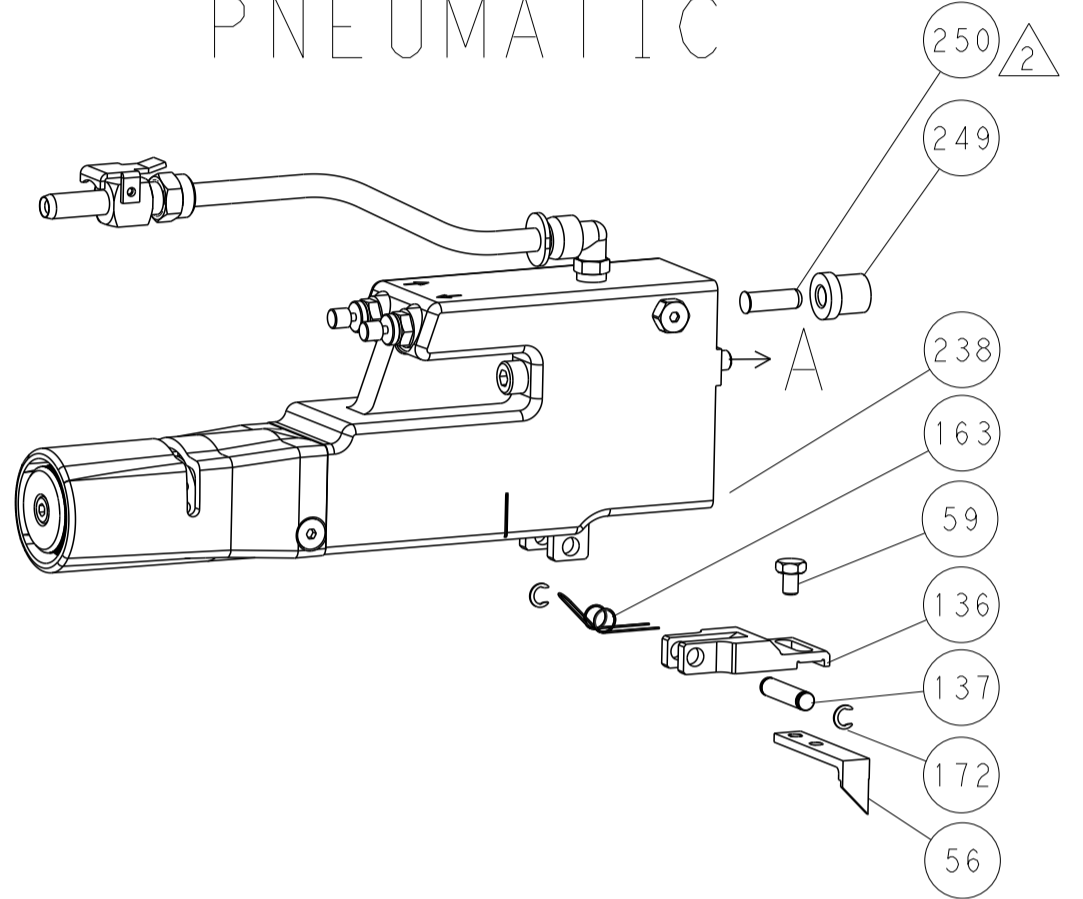
| DIMENSIONS: | | TOLERANCES UNLESS OTHERWISE SPECIFIED: | | OWN | CHK | APVD | DATE | NAME | SIZE | CAGE CODE | DRAWING NO | RESTRICTED TO | |
|--|--------|--|--|--------|-----------|--------|-----------|---------------------------|------|-----------|------------|---------------|----|
| mm | 0 PLC | ± | | Y. YIN | G. BAILEY | U. GUO | 09OCT2013 | TE Connectivity | A1 | 00779 | 2266069 | | |
| | 1 PLC | ± | | | | | | Harrisburg, PA 17105-3608 | | | | | |
| | 2 PLC | ± | | | | | | Ocean Side Feed | | | | | |
| | 3 PLC | ± | | | | | | Applicator | | | | | |
| | 4 PLC | ± | | | | | | | | | | | |
| | ANGLES | ± | | | | | | | | | | | |
| | FINISH | ± | | | | | | | | | | | |
| MATERIAL | | | | | | | | | | | | | |
| Customer Accessible Production Drawing | | | | | | | | SCALE | 1:2 | SHEET | 1 of 4 | REV | B1 |

| LOC | DIST | REVISIONS | | | | | |
|-----|------|-----------|-----|-------------|------|-----|------|
| A | 66 | P | LTN | DESCRIPTION | DATE | DMN | APVD |
| | | - | | SEE SHEET 1 | | | |

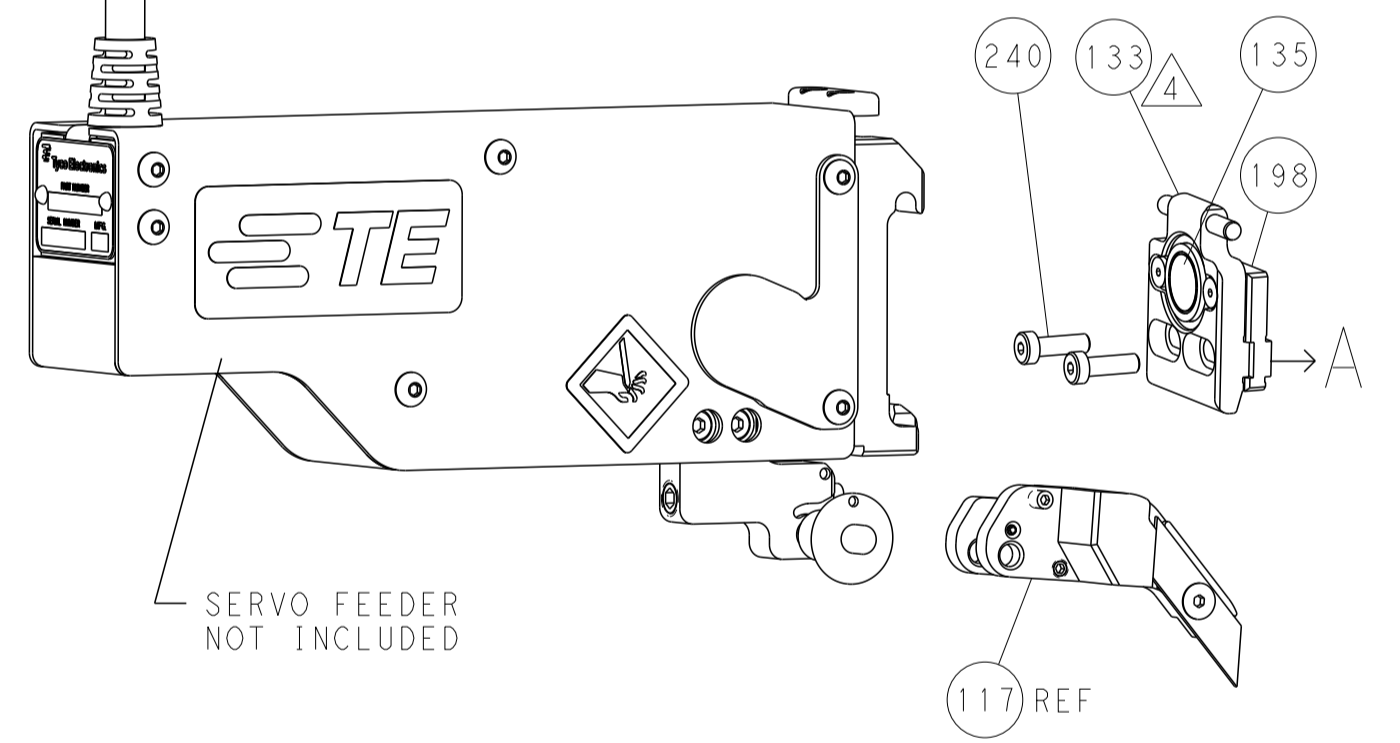
FEED TYPE MECHANICAL



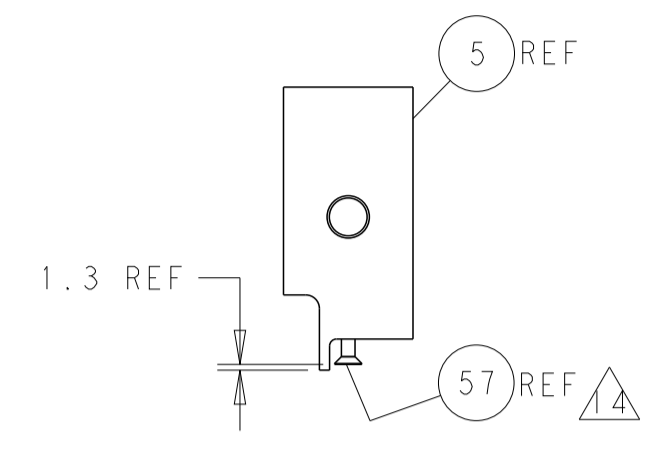
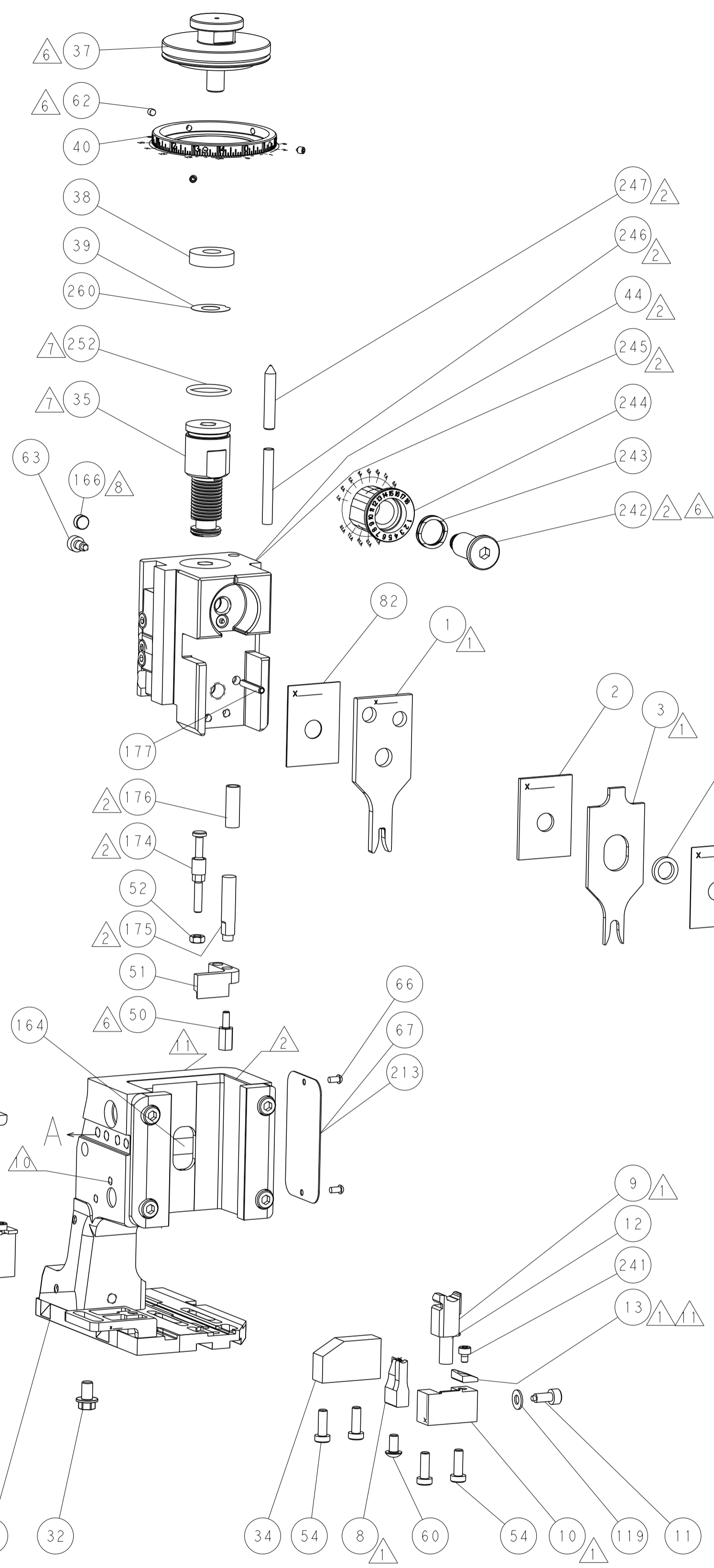
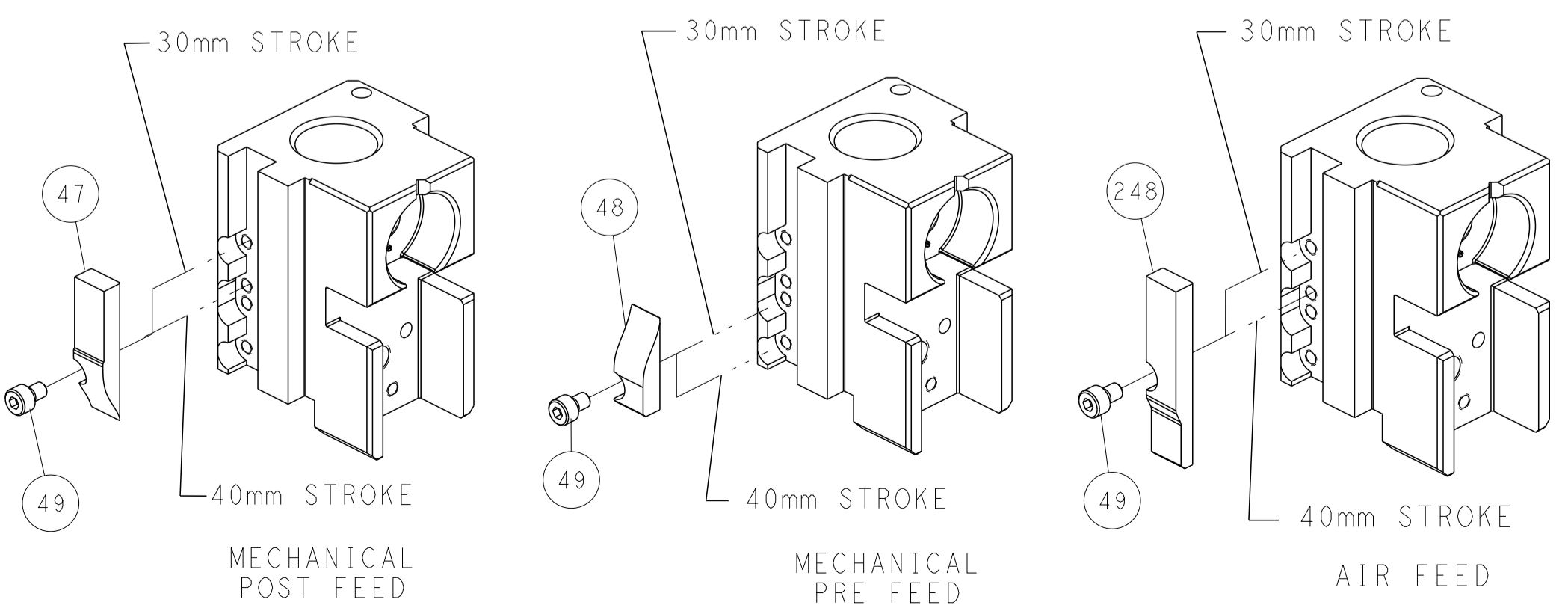
PNEUMATIC



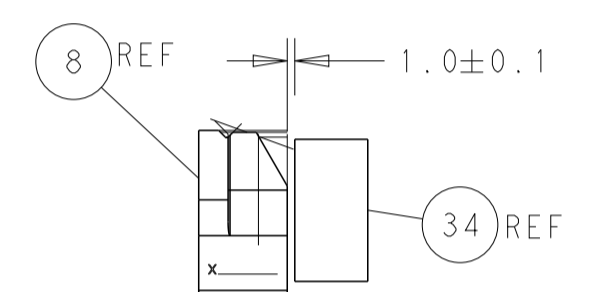
SERVO LATCH PLATE



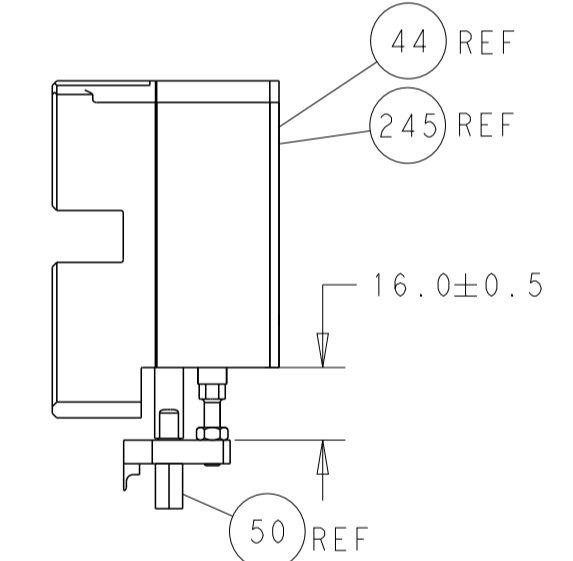
CAM POSITIONS



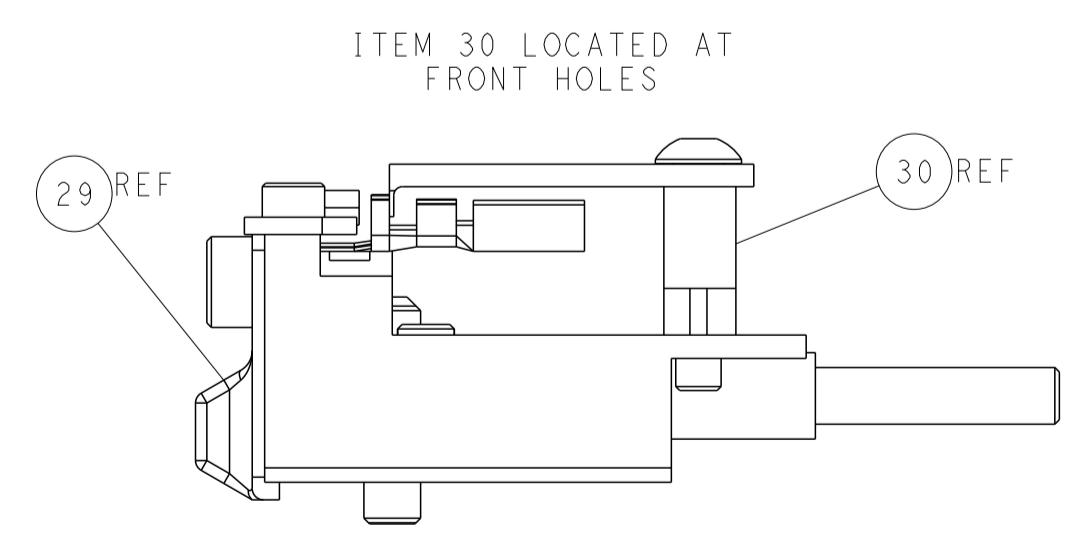
SHEAR DEPRESSOR DETAIL



TERMINAL SUPPORT LOCATION



HOLDDOWN SET-UP



FEED TRACK POSITION GUIDE BY INSULATION BARREL

ATLANTIC VERSION
 Shown on sheets 1 of 4 & 2 of 4
 (Pacific version shown on sheets 3 of 4 & 4 of 4)

| | | | |
|---|--|---|---|
| <small>THIS DRAWING IS UNPUBLISHED. RELEASED FOR PUBLICATION BY TYCO ELECTRONICS CORPORATION. ALL RIGHTS RESERVED.</small> | | DMN: Y. YIN 09OCT2013 CHK: G. BAILEY 09OCT2013 APVD: H. GUO 09OCT2013 | TE Connectivity Harrisburg, PA 17105-3608 |
| DIMENSIONS: mm TOLERANCES UNLESS OTHERWISE SPECIFIED: 0 PLC ± 1 PLC ± 2 PLC ± 3 PLC ± 4 PLC ± ANGLES ° ± FINISH | | NAME: Ocean Side Feed Applicator PRODUCT SPEC: - APPLICATION SPEC: - WEIGHT: - SCALE: 1:2 | SIZE: A1 CAGE CODE: 00779 DRAWING NO: C=2266069 SHEET: 2 of 4 REV: B1 |
| MATERIAL: - FINISH: - | | RESTRICTED TO: - Customer Accessible Production Drawing | |

| PACIFIC VERSION TERMINATOR INTERFACE ADAPTER | PART NUMBER | REVISION | DESCRIPTION | FEED TYPE | |
|--|-------------|----------|--------------------------|--------------------------------|----------|
| | 2-2266069-1 | B | FINE CRIMP HEIGHT ADJUST | MECHANICAL | OBSOLETE |
| | 2-2266069-2 | B | FINE CRIMP HEIGHT ADJUST | PNEUMATIC | OBSOLETE |
| | 2-2266069-5 | B | FINE CRIMP HEIGHT ADJUST | SERVO LATCH PLATE ⁴ | OBSOLETE |
| | 2-2266069-7 | B | FINE CRIMP HEIGHT ADJUST | NONE | OBSOLETE |
| | 7-2266069-7 | A | CRIMP TOOLING KIT | - | |

| APPLICATOR DATA | | |
|-----------------------------------|----------------|------|
| CRIMP | SIZE | TYPE |
| WIRE | 2.79 mm [1.10] | F |
| INSUL | 4.32 mm [1.70] | O |
| APPLICATOR INSTRUCTIONS 408-10389 | | |

TERMINAL DATA: TE TERMINAL TE CRIMP SPECIFICATION

| WIRE STRIP LENGTH | INSULATION DIAMETER RANGE |
|-----------------------------|-------------------------------|
| 4.90-5.50 mm [1.93-.217 IN] | ∅2.20-3.00 mm [1.087-.118 IN] |

| TERMINAL APPLICATION SPECIFICATION | 114-18050 |
|------------------------------------|-----------|
| | |

TERMINALS APPLIED

| TE TERMINAL | TE TERMINAL | TE TERMINAL | TE SEAL |
|-------------|-------------|-------------|----------|
| 927766-1 | 2-927766-1 | 929937-7 | 828905-1 |
| 927766-3 | 929937-1 | 1-929937-1 | |
| 927766-8 | 929937-3 | 2-929937-1 | |
| 1-927766-1 | 929937-6 | | |

| WIRE SIZE | CRIMP HEIGHT mm [INCH] | CRIMP HEIGHT REFERENCE SETTING |
|-----------|--------------------------------|--------------------------------|
| 2.50mm2 | 1.77 +/- 0.05 [1.070 +/- .002] | 5.1 |
| 2.00mm2 | 1.64 +/- 0.05 [1.065 +/- .002] | 6.4 |
| 1.50mm2 | 1.51 +/- 0.05 [1.059 +/- .002] | 7.8 |



- ¹ RECOMMENDED SPARE PARTS
- ² GREASE BEARING SURFACES LIGHTLY
- 3. LUBRICATE DAILY PER THE APPLICATOR INSTRUCTION SHEET SUPPLIED WITH THE APPLICATOR.
- ⁴ APPLICATOR SPECIFIC DATA TO BE ENTERED INTO BLANK MEMORY CHIP AT ASSEMBLY. SEE BELOW FOR PART NUMBER:
MECHANICAL FEED WITH "SMART APPLICATOR" CONVERSION: 8-2266069-4
PNEUMATIC FEED WITH "SMART APPLICATOR" CONVERSION: 8-2266069-4
SERVO FEED WITH "FINE CRIMP HEIGHT ADJUST": 8-2266069-5
SERVO FEED WITH "NON-CRIMP HEIGHT ADJUST": 8-2266069-6
- 5. ADJUSTMENT OF THE STRIPPER MAY BE REQUIRED WHEN MOVING THE APPLICATOR BETWEEN BENCH AND LEADMAKER APPLICATIONS.
- ⁶ APPLY PART NUMBER 1-23419-5 LOCTITE TO THREADS OF ITEMS 50 & 62. APPLY PART NUMBER 2-23419-6 LOCTITE TO THREADS OF ITEM 242.
- ⁷ GREASE THREADS, GROOVE AND O-RING ON ITEMS 139 & 152.
- ⁸ MAGNET MUST BE ORIENTED CORRECTLY IN ORDER TO PROPERLY ACTUATE THE COUNTER.
- ⁹ CRIMP HEIGHT REFERENCE SETTING WAS THE SETTING USED WHEN THE APPLICATOR WAS QUALIFIED AT THE FACTORY. ADJUSTMENT MAY BE NECESSARY WHEN RUNNING APPLICATOR IN THE FIELD.
- ¹⁰ SPARE FEED CAM STORAGE LOCATION REFER TO INSTRUCTION SHEET FOR ADDITIONAL INFORMATION.
- ¹¹ TO CONVERT THE APPLICATOR TO A NON-CARRIER CUTTING STYLE, REMOVE ITEM 13 AND ATTACH TO THE LOCATION ON BACK SIDE OF THE HOUSING. REFER TO INSTRUCTION SHEET FOR ADDITIONAL INFORMATION.
- ¹² THIS APPLICATOR APPLIES TERMINAL WITH A SEAL. INSULATION DIAMETER OF SEAL IS ∅2.2-3.0mm.
- ¹³ APPLY TORO-SEAL IN ALLEN SOCKET TO FILL HOLE AFTER FLAT HD HAS BEEN ADJUSTED TO CORRECT HEIGHT AT QUALIFICATION. APPLY #1-23419-5 LOC-TITE TO THREADS.
- ¹⁴ THIS APPLICATOR IS SPECIFIC FOR USE IN A STRIPPER SEAL TERMINATING UNIT.

***WARNING**
ON INSTALLATION, SET WIRE DISC, ITEM 40 TO LARGEST WIRE SIZE SETTING. USE OF SETTINGS BELOW MINIMUM REQUIRED CRIMP HEIGHT SETTING WILL CAUSE DAMAGE TO CRIMP TOOLING.

PACIFIC VERSION
Shown on sheets 3 of 4 & 4 of 4
(Atlantic version shown on sheets 1 of 4 & 2 of 4)

| SET UP GAUGE | LOC | DIST | REVISIONS | | | | | |
|--------------|-----|------|-----------|-----|-------------|------|-----|------|
| 2119599-1 | A | 66 | P | LTN | DESCRIPTION | DATE | OWN | APVD |
| | | | - | | SEE SHEET 1 | | | |

| | | | | | | | |
|--------------|-----|-----|-----|-----|-------------|-------------------------------------|-----|
| - | 1 | 1 | 1 | 1 | 2119782-1 | FINE ADJUST HEAD ASM, PACIFIC STYLE | 251 |
| - | - | - | 1 | - | 2119640-1 | PUSH ROD, AIR FEED | 250 |
| - | - | - | 1 | - | 2079988-1 | BUSHING, LCH5-12, MISUMI | 249 |
| - | 1 | 1 | 1 | 1 | 1-22279-3 | SPRING, COMPRESSION | 246 |
| - | 1 | 1 | 1 | 1 | 2119082-7 | CAM, SNAIL, INSULATION ADJUSTMENT | 244 |
| - | 1 | 1 | 1 | 1 | 2079764-1 | WASHER, WAVE SPRING, CREST-TO-CREST | 243 |
| ⁶ | - | 1 | 1 | 1 | 2119083-1 | RETAINER, INSULATION DIAL | 242 |
| - | 1 | 1 | 1 | 1 | 7-18023-7 | SCR, SKT HD CAP M3 X 4.0 | 241 |
| - | - | 2 | - | - | 2168400-6 | SHCS, LOW HEAD, RoHS, M5 X 16 | 240 |
| - | - | - | - | 1 | 2119580-1 | MECHANICAL FEED ASSEMBLY | 239 |
| - | - | - | 1 | - | 2063440-1 | AIR FEED MODULE | 238 |
| - | - | 1 | - | - | 2119740-2 | TAG IDENTIFICATION | 213 |
| - | - | 1 | - | - | 1901094-3 | SPACER, FEEDER | 198 |
| - | 1 | 1 | 1 | 1 | 993111-1 | PIN, SLOTTED SPRING 3.0 X 20.0 | 177 |
| - | 1 | 1 | 1 | 1 | 5-22280-0 | SPRING, COMPRESSION | 176 |
| - | 1 | 1 | 1 | 1 | 1752353-3 | GUIDE PIN, HOLDDOWN | 175 |
| - | 1 | 1 | 1 | 1 | 1901680-2 | GUIDE PIN, HOLDDOWN | 174 |
| - | - | - | 2 | - | 21045-3 | RING, RETAIN, EXTERN, 3/16 CRESCENT | 172 |
| - | 1 | 1 | 1 | 1 | 994969-1 | MAGNET, RARE EARTH HIGH ENERGY | 166 |
| - | REF | REF | REF | REF | 994970-2 | COUNTER, MAGNETIC | 164 |
| - | - | - | 1 | - | 240638-1 | SPRING, FEED FINGER | 163 |
| - | 1 | 1 | 1 | 1 | 8-21084-1 | O-RING, .801 ID, .070 DIA. MAT. | 152 |
| - | - | - | 1 | - | 2119641-2 | FEED CAM, AIR FEED | 151 |
| - | 1 | 1 | 1 | 1 | 2119798-2 | DETENT PIN | 145 |
| - | 1 | 1 | 1 | 1 | 2079383-8 | SCR, BHSC, RoHS (M4 X 16) | 144 |
| - | 4 | 4 | 4 | 4 | 2168400-5 | SHCS, LOW HEAD, RoHS, M4 X 20 | 143 |
| - | - | - | - | 1 | 2119653-2 | FEED CAM, POST FEED | 142 |
| - | 1 | 1 | 1 | 1 | 2-2119656-2 | APPLICATOR BASIC ASSEMBLY, SF | 141 |
| - | 1 | 1 | 1 | 1 | 2119650-1 | RAM, ASIAN STYLE, SIDE FEED | 140 |
| - | 1 | 1 | 1 | 1 | 2119092-2 | BOLT, ADJUSTMENT | 139 |
| - | - | - | 1 | - | 3-23627-7 | PIN, RETAIN, GRVD, 3/16 X .854 | 137 |
| - | - | - | 1 | - | 2119799-1 | HOLDER, FEED FINGER, AF | 136 |
| - | - | REF | - | - | SEE NOTE 4 | MEMORY CHIP, PROGRAMMED | 135 |
| - | - | 1 | - | - | 1633743-1 | SERVO FEED LATCH ASM | 133 |
| - | 1 | 1 | 1 | 1 | 1-18028-2 | WASHER, FLAT, REG M4 | 119 |
| - | - | REF | - | - | 2119944-1 | FEED FINGER ASSEMBLY, SF | 117 |
| - | 1 | 1 | 1 | 1 | 455888-5 | SPACER, CRIMPER | 82 |
| - | 1 | 1 | 1 | 1 | 2119956-1 | DOCUMENTATION PACKAGE | 71 |
| - | 1 | - | 1 | 1 | 2119740-1 | TAG IDENTIFICATION | 67 |
| - | 2 | 2 | 2 | 2 | 2168078-1 | SCREW, DRIVE, RH, RoHS, 2 x .188 | 66 |
| ⁶ | - | 1 | 1 | 1 | 2119793-1 | LIMITER, ADJUSTMENT BOLT | 63 |
| ⁴ | - | 3 | 3 | 3 | 992763-5 | SCR, SET, SOC, CONE PNT, M3 X 4.0 | 62 |
| - | - | - | - | 1 | 5-18022-5 | SCR, HEX HD CAP, M4 X 6.0 | 59 |
| ⁴ | - | 1 | 1 | 1 | 985575-3 | SCR, FLT SKT HD CAP M3 X 10.0 | 57 |
| - | - | - | 1 | 1 | 1338685-1 | PAWL, FEED | 56 |
| - | 1 | 1 | 1 | 1 | 1-5018030-0 | NUT, HEX, REG, RoHS, M3.5 | 52 |
| - | 1 | 1 | 1 | 1 | 4-1722335-3 | STRIPPER, SIDE FEED | 51 |
| ⁶ | - | 1 | 1 | 1 | 2-1752354-4 | STANDOFF, HOLD-DOWN | 50 |
| - | - | - | 1 | 2 | 18023-9 | SCR, SKT HD CAP M4 X 6.0 | 49 |
| - | - | - | - | 1 | 2119652-1 | FEED CAM, PRE FEED | 48 |
| - | 1 | 1 | 1 | 1 | 2079383-7 | SCR, BHSC, RoHS (M8 X 25) | 41 |
| - | 1 | 1 | 1 | 1 | 2119645-1 | DISC, NUMBERED FA WIRE ADJUSTMENT | 40 |
| - | 1 | 1 | 1 | 1 | 2119957-1 | APPLICATOR SHIM PACK | 39 |
| - | 1 | 1 | 1 | 1 | 1-2119644-2 | RAM WASHER, PRECISION | 38 |
| - | 1 | 1 | 1 | 1 | 1-1752356-8 | SUPPORT, TERMINAL | 34 |
| - | 2 | 2 | 2 | 2 | 2079383-5 | SCR, BHSC, RoHS (M4 X 20) | 33 |
| - | 1 | 1 | 1 | 1 | 2161328-1 | HEX HEAD, FLANGED, M5 X 8mm LONG | 32 |
| - | 1 | 1 | 1 | 1 | 1320908-8 | SPACER, STRIP GUIDE | 30 |
| - | 1 | 1 | 1 | 1 | 2119959-1 | ASSEMBLY, STRIP GUIDE | 29 |
| - | 1 | 1 | 1 | 1 | 455888-3 | SPACER, CRIMPER | 28 |
| - | 1 | 1 | 1 | 1 | 1320928-1 | STRIP GUIDE | 24 |
| ¹ | - | 1 | 1 | 1 | 2119806-1 | INSERT, SHEAR | 13 |
| - | - | 1 | 1 | 1 | 3-22280-3 | SPRING, COMPRESSION | 12 |
| - | 1 | 1 | 1 | 1 | 1-356885-4 | STOP, SHEAR | 11 |
| ¹ | - | 1 | 1 | 1 | 2119805-1 | SHEAR HOLDER, FRONT | 10 |
| ¹ | - | 1 | 1 | 1 | 318707-1 | FLOATING SHEAR, FRONT | 9 |
| ¹ | 1 | 1 | 1 | 1 | 1-1333207-0 | ANVIL, COMBINATION .110 | 8 |
| - | 1 | 1 | 1 | 1 | 2119781-1 | DEPRESSOR, SHEAR | 5 |
| - | 1 | 1 | 1 | 1 | 5-238011-5 | BLOCK, CRIMPER SPACER | 4 |
| ¹ | 1 | 1 | 1 | 1 | 1-1633965-4 | CRIMPER, INSULATION O PREMIUM | 3 |
| - | 1 | 1 | 1 | 1 | 1-455888-6 | SPACER, CRIMPER | 2 |
| ¹ | 1 | 1 | 1 | 1 | 2-456408-0 | CRIMPER, WIRE PREMIUM | 1 |

| DIMENSIONS: | | TOLERANCES UNLESS OTHERWISE SPECIFIED: | | OWN | CHK | APVD | DATE |
|-------------|---------|--|---------------|--------|-----------|--------|-----------|
| mm | 0 PLC ± | 1 PLC ± | 2 PLC ± | Y. YIN | G. BAILEY | U. GUO | 09OCT2013 |
| | 3 PLC ± | 4 PLC ± | ANGLES FINISH | | | | |

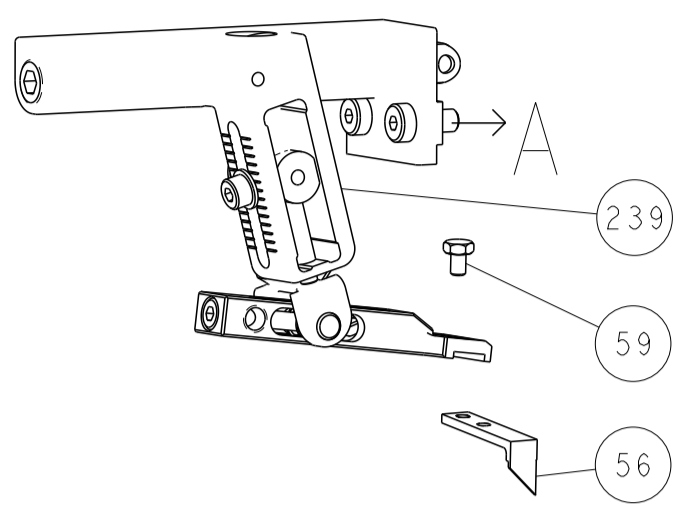
| ITEM NO | DESCRIPTION | REV | | | | |
|---------|-------------|-----|-----|-----|-------------|---------|
| -77 | -27 | -25 | -22 | -21 | PART NO | |
| | | | | | DESCRIPTION | ITEM NO |

| NAME | SIZE | CAGE CODE | DRAWING NO | RESTRICTED TO |
|----------------------------|------|-----------|------------|---------------|
| Ocean Side Feed Applicator | A1 | 00779 | 2266069 | |

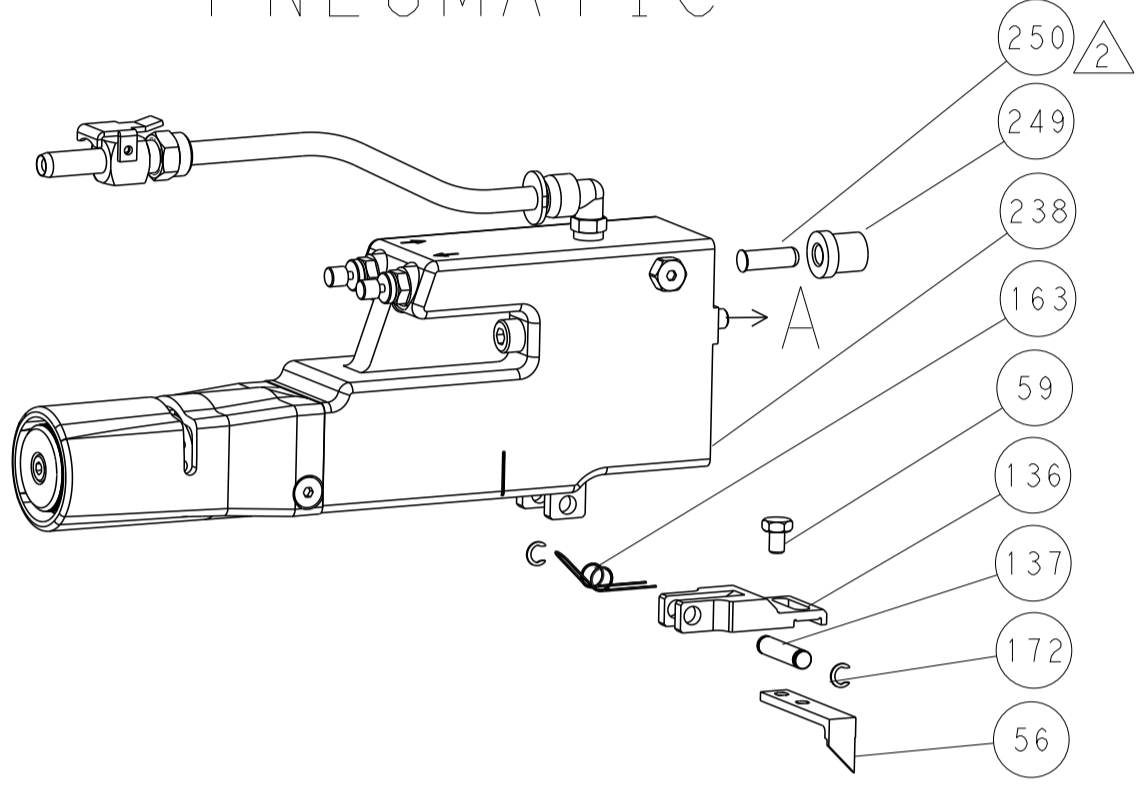
Customer Accessible Production Drawing SCALE 1:2 SHEET 3 OF 4 REV B1

| LOC | DIST | REVISIONS | | | | | |
|-----|------|-----------|-----|-------------|------|-----|------|
| A | 66 | P | LTN | DESCRIPTION | DATE | OWN | APVD |
| | | - | | SEE SHEET 1 | | | |

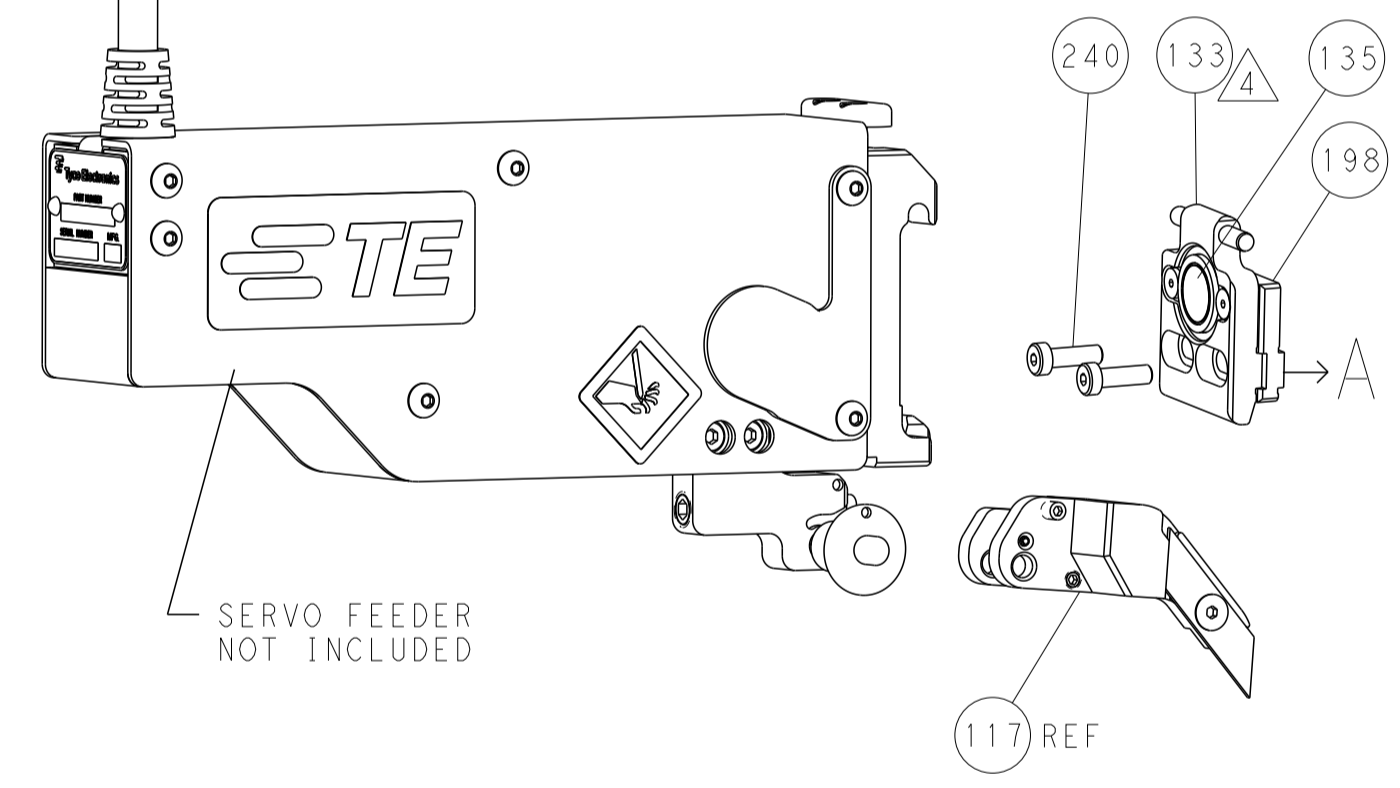
FEED TYPE MECHANICAL



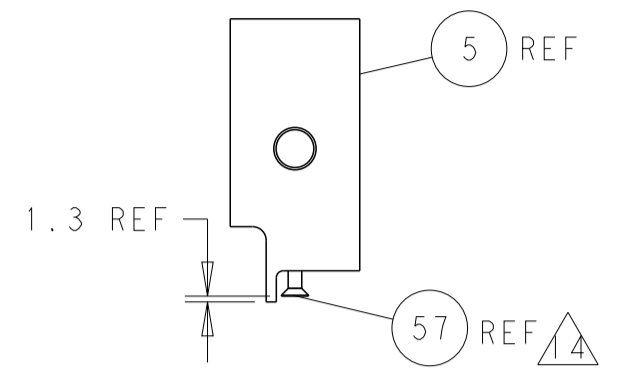
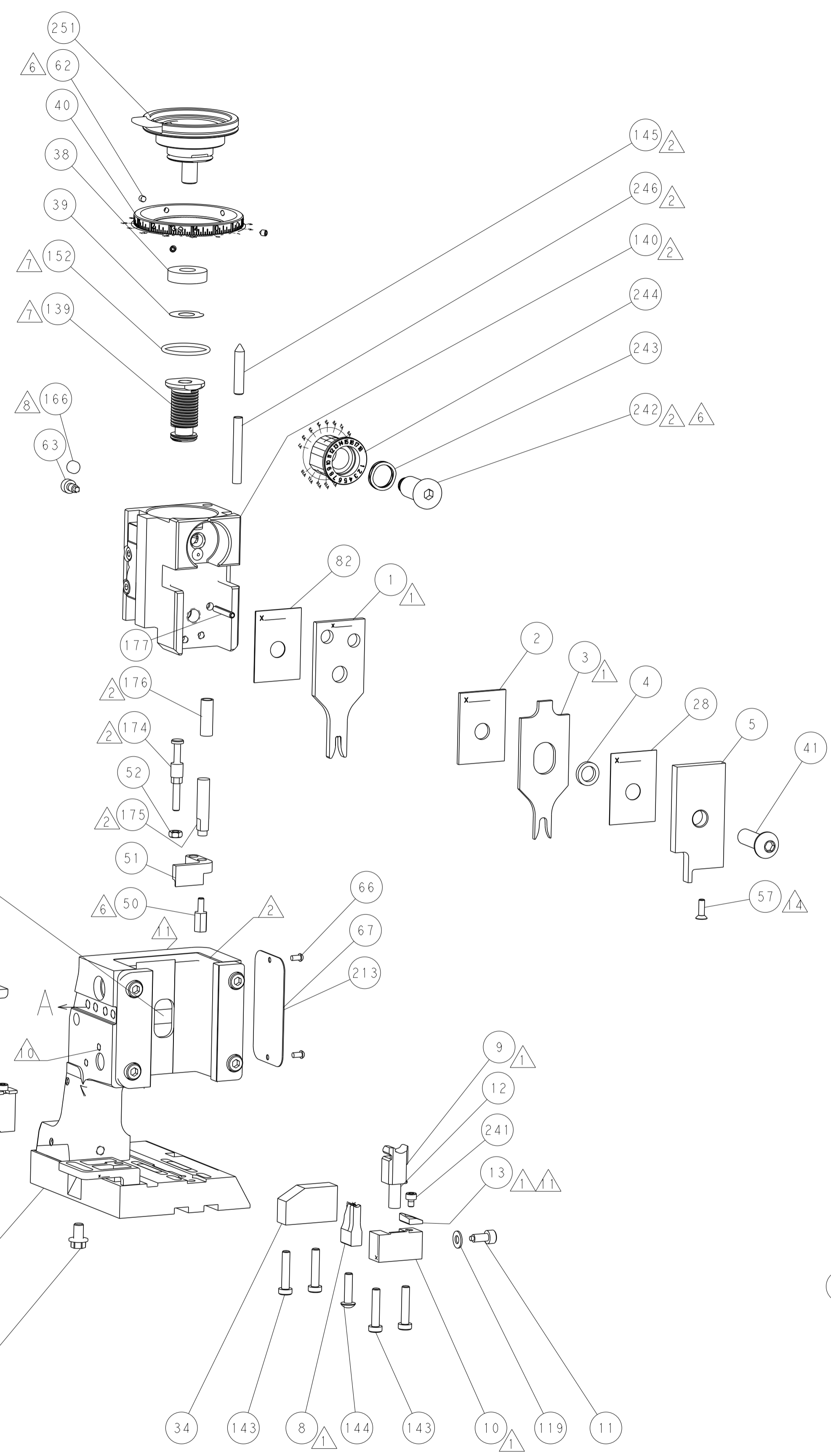
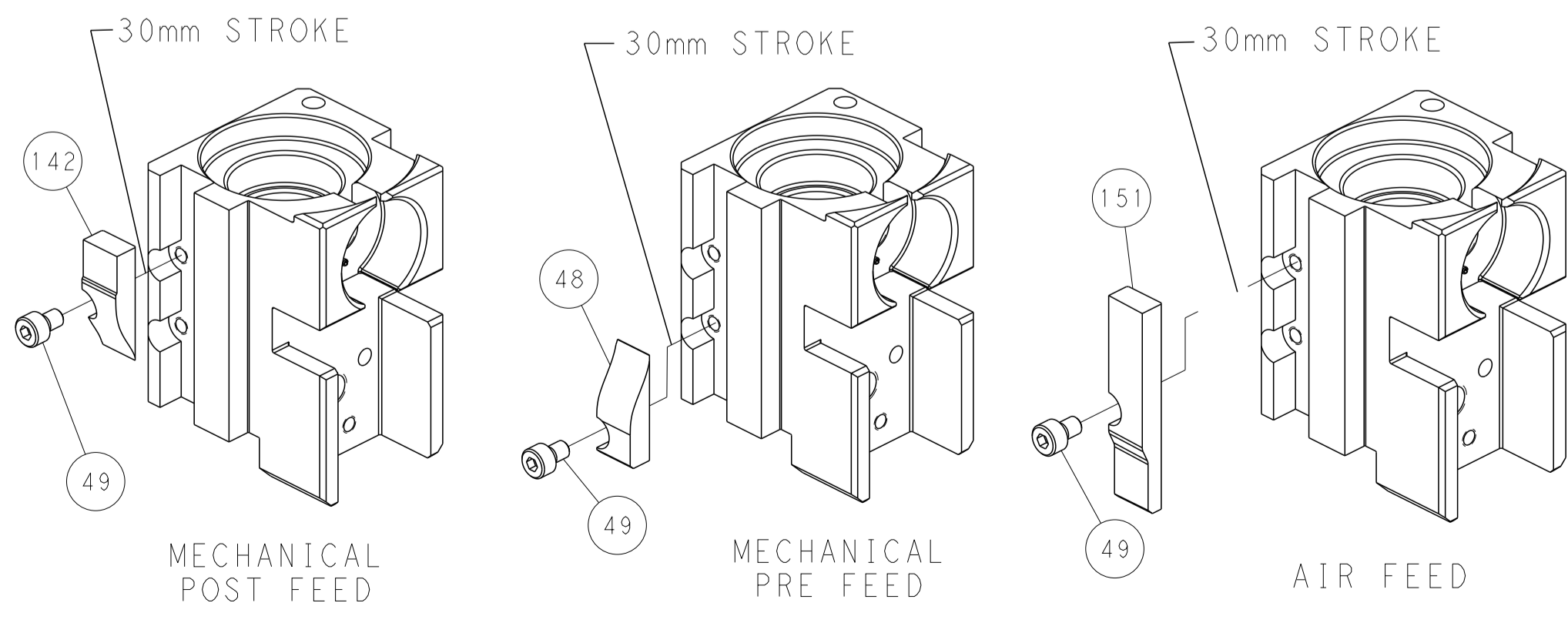
PNEUMATIC



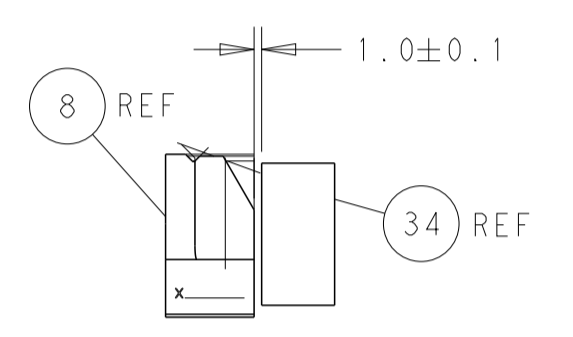
SERVO LATCH PLATE



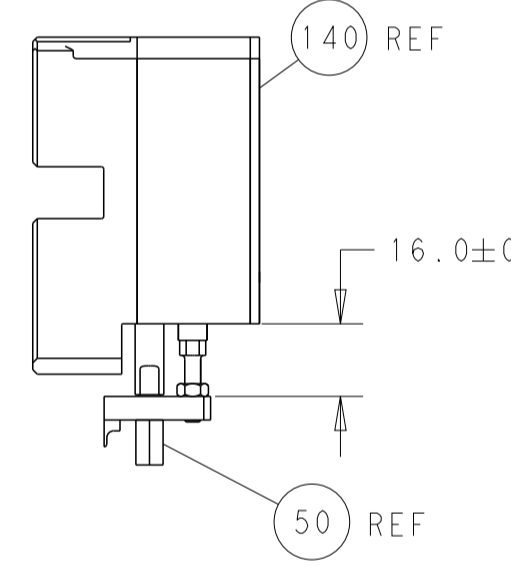
CAM POSITIONS



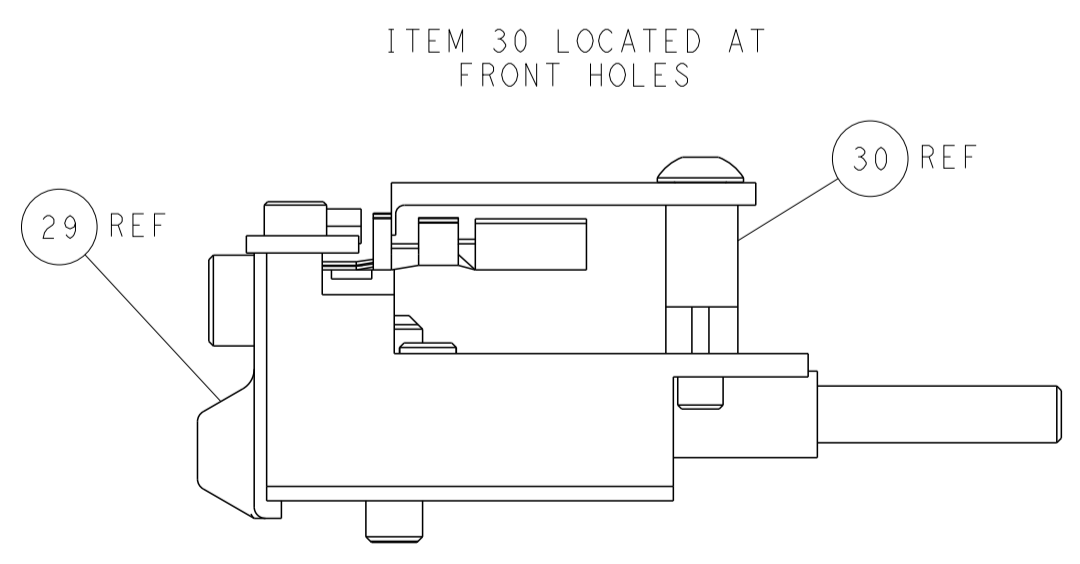
SHEAR DEPRESSOR DETAIL



TERMINAL SUPPORT LOCATION



HOLDDOWN SET-UP



FEED TRACK POSITION
GUIDE BY INSULATION BARREL

PACIFIC VERSION
 Shown on sheets 3 of 4 & 4 of 4
 (Atlantic version shown on sheets 1 of 4 & 2 of 4)

| | | | | | | | | | | | |
|-------------|--------|--|--|-----------------------|-----------|--------------------------|---------------|--|--|----------------------------------|--|
| DIMENSIONS: | | TOLERANCES UNLESS OTHERWISE SPECIFIED: | | DWG: Y. YIN 09OCT2013 | | CHK: G. BAILEY 09OCT2013 | | APVD: H. GUO 09OCT2013 | | NAME: Ocean Side Feed Applicator | |
| mm | 0 PLC | ± | | SIZE | CAGE CODE | DRAWING NO | RESTRICTED TO | Customer Accessible Production Drawing | | | |
| | 1 PLC | ± | | SCALE | 1:2 | SHEET 4 OF 4 | REV B1 | | | | |
| | 2 PLC | ± | | | | | | | | | |
| | 3 PLC | ± | | | | | | | | | |
| | 4 PLC | ± | | | | | | | | | |
| | ANGLES | ± | | | | | | | | | |
| | FINISH | ± | | | | | | | | | |
| MATERIAL: | | | | WEIGHT: | | A1 00779 | | C=2266069 | | | |

Mouser Electronics

Authorized Distributor

Click to View Pricing, Inventory, Delivery & Lifecycle Information:

[TE Connectivity:](#)

[2266069-2](#)