

ATLANTIC VERSION TERMINATOR INTERFACE ADAPTER	PART NUMBER	REVISION	DESCRIPTION	FEED TYPE	
	2266059-1	B	FINE CRIMP HEIGHT ADJUST	MECHANICAL	SUPERSEDED BY 5-2151170-1
	2266059-2	B	FINE CRIMP HEIGHT ADJUST	PNEUMATIC	SUPERSEDED BY 5-2151170-2
	2266059-5	B	FINE CRIMP HEIGHT ADJUST	SERVO LATCH PLATE	OBSOLETE
	2266059-6	B	NON CRIMP HEIGHT ADJUST	SERVO LATCH PLATE	OBSOLETE
	2266059-7	B	FINE CRIMP HEIGHT ADJUST	NONE	OBSOLETE
	7-2266059-7	A	CRIMP TOOLING KIT	-	

APPLICATOR DATA		
CRIMP	SIZE	TYPE
WIRE	2.03 mm [.080]	F
INSUL	3.30 mm [.130]	O

APPLICATOR INSTRUCTIONS 408-10389

TERMINAL DATA: TE TERMINAL		TE CRIMP SPECIFICATION	
TERMINAL NAME: MICRO TIMER CONTACT FOR SINGLE WIRE SEALING			
WIRE STRIP LENGTH		INSULATION DIAMETER RANGE	
3.50-4.10 mm [.138-.161 IN]		Ø1.40-2.10 mm [.055-.083 IN]	
TERMINAL APPLICATION SPECIFICATION	(B)114-18082		(A)114-18081
TERMINALS APPLIED			
TE TERMINAL	TE TERMINAL	TE SEAL	TE SEAL
(A) 968015-1	(B) 963904-1	(A) 964971-1	(A) 964972-1
(A) 968015-2	(B) 963904-2	(A) 963530-1	
(A) 968015-7	(B) 963904-3		

TERMINAL DATA: TE TERMINAL		TE CRIMP SPECIFICATION	
TERMINAL NAME: MICRO TIMER CONTACT FOR SINGLE WIRE SEALING			
WIRE STRIP LENGTH		INSULATION DIAMETER RANGE	
3.50-4.10 mm [.138-.161 IN]		Ø1.40-2.10 mm [.055-.083 IN]	
TERMINAL APPLICATION SPECIFICATION	(A)114-18081		
TERMINALS APPLIED			
TE TERMINAL	TE TERMINAL	TE SEAL	TE SEAL
(A) 962876-1	(A) 962876-7	964971-1	964972-1
(A) 962876-2		963530-1	
(A) 962876-3			
(A) 962876-5			
(A) 962876-6			

WIRE SIZE	CRIMP HEIGHT mm [INCH]	CRIMP HEIGHT REFERENCE SETTING
1.00mm2	1.36+/-0.05 [.054+/- .002]	4.7
0.75mm2	1.27+/-0.05 [.050+/- .002]	5.6
0.50mm2	1.18+/-0.05 [.046+/- .002]	6.6

WIRE SIZE	CRIMP HEIGHT mm [INCH]	CRIMP HEIGHT REFERENCE SETTING
1.00mm2	1.20+/-0.05 [.047+/- .002]	6.6
0.75mm2	1.18+/-0.05 [.046+/- .002]	6.8
0.50mm2	1.15+/-0.05 [.045+/- .002]	7.1

- 1 RECOMMENDED SPARE PARTS
- 2 GREASE BEARING SURFACES LIGHTLY
- 3. LUBRICATE DAILY PER THE APPLICATOR INSTRUCTION SHEET SUPPLIED WITH THE APPLICATOR.
- 4 APPLICATOR SPECIFIC DATA TO BE ENTERED INTO BLANK MEMORY CHIP AT ASSEMBLY. SEE BELOW FOR PART NUMBER:
MECHANICAL FEED WITH "SMART APPLICATOR" CONVERSION: 8-2266059-4
PNEUMATIC FEED WITH "SMART APPLICATOR" CONVERSION: 8-2266059-4
SERVO FEED WITH "FINE CRIMP HEIGHT ADJUST": 8-2266059-5
SERVO FEED WITH "NON-CRIMP HEIGHT ADJUST": 8-2266059-6
- 5. ADJUSTMENT OF THE STRIPPER MAY BE REQUIRED WHEN MOVING THE APPLICATOR BETWEEN BENCH AND LEADMAKER APPLICATIONS.
- 6 APPLY PART NUMBER 1-23419-5 LOCTITE TO THREADS OF ITEMS 62, 180. APPLY PART NUMBER 2-23419-6 LOCTITE TO THREADS OF ITEMS 242. FOR -6 ONLY APPLY PART NUMBER 1-23419-5 LOCTITE TO THREADS OF ITEMS 37.
- 7 GREASE THREADS, GROOVE AND O-RING ON ITEMS 35 & 252.
- 8 MAGNET, ITEM 166 MUST BE ORIENTED CORRECTLY IN ORDER TO PROPERLY ACTUATE THE COUNTER.
- 9 CRIMP HEIGHT REFERENCE SETTING WAS THE SETTING USED WHEN THE APPLICATOR WAS QUALIFIED AT THE FACTORY. ADJUSTMENT MAY BE NECESSARY WHEN RUNNING APPLICATOR IN THE FIELD.
- 10 SPARE FEED CAM STORAGE LOCATION REFER TO INSTRUCTION SHEET FOR ADDITIONAL INFORMATION.
- 11 TO CONVERT THE APPLICATOR TO A NON-CARRIER CUTTING STYLE, REMOVE ITEM 13 AND ATTACH TO THE LOCATION ON THE BACK SIDE OF THE HOUSING. REFER TO INSTRUCTION SHEET FOR ADDITIONAL INFORMATION.
- 12 WHEN ASSEMBLING -6 NON-CRIMP HEIGHT ADJUST APPLICATOR USE SHIM PACK 2119957-2 TO ALIGN APPLICATOR'S MAXIMUM WIRE CRIMP HEIGHT AT NORMAL TERMINATOR SHUT HEIGHT

***WARNING**
ON INSTALLATION, SET WIRE DISC, ITEM 40 TO LARGEST WIRE SIZE SETTING. USE OF SETTINGS BELOW MINIMUM REQUIRED CRIMP HEIGHT SETTING WILL CAUSE DAMAGE TO CRIMP TOOLING.

13 APPLY TORQ-SEAL IN ALLEN SOCKET TO FILL HOLE AFTER FLAT HD HAS BEEN ADJUSTED TO CORRECT HEIGHT AT QUALIFICATION. APPLY #1-23419-5 LOC-TITE TO THREADS.

14 THIS APPLICATOR APPLIES TERMINAL WITH A SEAL.
SEAL PT.NO. 963530 INS. RANGE 1.4-1.9 DIA
SEAL PT.NO. 964972 INS. RANGE 1.9-2.1 DIA
SEAL PT.NO. 964971 INS. RANGE 1.2-1.6 DIA (0.550MM WIRE)

15. THIS APPLICATOR IS SPECIFIC FOR USE IN A STRIPPER SEAL TERMINATING UNIT.

ATLANTIC VERSION
Shown on sheets 1 of 4 & 2 of 4
(Pacific version shown on sheets 3 of 4 & 4 of 4)

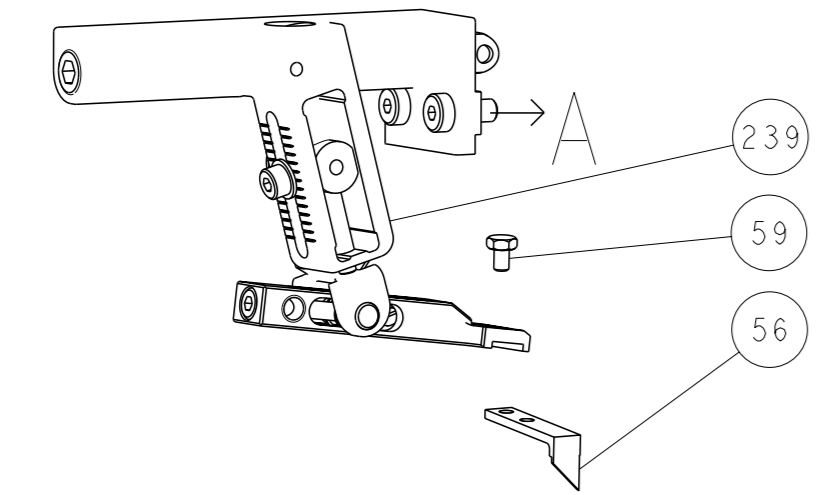
SET UP GAUGE	LOC	DIST	REVISIONS			
2119599-1	A	66	#	DATE	BY	CHK
			A2	ECR-15-009202	17JUN2015	MR JDG
			B	ECR-17-000968	22JAN2017	MZ KZ
			B1	ECR-18-009416	18JUN2018	JAH JDG

#	QTY	DESCRIPTION	DATE	OWN	APVD
-	-	1 - - - -	2119957-2	APPLICATOR SHIM PACK	260
-	-	1 - 1 1 1	8-21084-0	O-RING, .676 ID, .070 DIA. MAT.	252
-	-	- - - 1 -	2119640-1	PUSH ROD, AIR FEED	250
-	-	- - - 1 -	2079988-1	BUSHING, LCH5-12, MISUMI	249
-	-	- - - 1 -	2119641-1	FEED CAM, AIR FEED	248
-	-	- 1 - 1 1 1	2119798-1	DETENT PIN	247
-	-	- 1 - 1 1 1	1-22279-3	SPRING, COMPRESSION	246
-	-	- 1 - - -	2119758-1	RAM, AMP STYLE, SIDE FEED, NON-ADJ.	245
-	-	1 1 1 1 1	2119082-9	CAM, SNAIL, INSULATION ADJUSTMENT	244
-	-	1 1 1 1 1	2079764-1	WASHER, WAVE SPRING, CREST-TO-CREST	243
-	-	1 1 1 1 1	2119083-1	RETAINER, INSULATION DIAL	242
-	-	1 1 1 1 1	7-18023-7	SCR, SKT HD CAP M3 X 4.0	241
-	-	- 2 2 - -	2168400-6	SHCS, LOW HEAD, RoHS, M5 X 16	240
-	-	- - - - 1	2119580-1	MECHANICAL FEED ASSEMBLY	239
-	-	- - - - 1	2063440-1	AIR FEED MODULE	238
-	-	- 1 1 - -	2119740-2	TAG, IDENTIFICATION	213
-	-	- 1 1 - -	1901094-3	SPACER, FEEDER	198
-	-	1 1 1 1 1	4-1722335-3	STRIPPER, SIDE FEED	182
-	-	1 1 1 1 1	1-5018030-0	NUT, HEX, REG, RoHS, M3.5	181
-	-	1 1 1 1 1	1-1752354-9	STANDOFF, HOLD-DOWN	180
-	-	1 1 1 1 1	993111-1	PIN, SLOTTED SPRING 3.0 X 20.0	177
-	-	1 1 1 1 1	5-22280-0	SPRING, COMPRESSION	176
-	-	1 1 1 1 1	1752353-3	GUIDE PIN, HOLDDOWN	175
-	-	1 1 1 1 1	1901680-2	GUIDE PIN, HOLDDOWN	174
-	-	- - - - 2	21045-3	RING, RETAIN, EXTERN, 3/16 CRESCENT	172
-	-	1 1 1 1 1	994969-1	MAGNET, RARE EARTH HIGH ENERGY	166
-	-	REF REF REF REF REF	994970-2	COUNTER, MAGNETIC	164
-	-	- - - - 1	240638-1	SPRING, FEED FINGER	163
-	-	- - - - 1	3-23627-7	PIN, RETAIN, GRVD, 3/16 X .854	137
-	-	- - - - 1	2119799-1	HOLDER, FEED FINGER, AF	136
-	-	REF REF - - -	SEE NOTE 4	MEMORY CHIP, PROGRAMMED	135
-	-	- 1 1 - -	1633743-1	SERVO FEED LATCH ASM	133
-	-	REF REF - - -	2119944-1	FEED FINGER ASSEMBLY, SF	117
-	-	1 1 1 1 1	455888-6	SPACER, CRIMPER	82
-	-	1 1 1 1 1	2119956-1	DOCUMENTATION PACKAGE	71
-	-	1 - - - 1	2119740-1	TAG, IDENTIFICATION	67
-	-	2 2 2 2 2	2168078-1	SCREW, DRIVE, RH, RoHS, 2 x .188	66
-	-	1 - - 1 1 1	2119793-1	LIMITER, ADJUSTMENT BOLT	63
-	-	3 - - 3 3 3	992763-5	SCR, SET, SOC, CONE PNT, M3 X 4.0	62
-	-	1 1 1 1 1	2079383-4	SCR, BHSC, RoHS (M4 X 8)	60
-	-	- - - - 1	5-18022-5	SCR, HEX HD CAP, M4 X 6.0	59
-	-	1 1 1 1 1	985575-3	SCR, FLT SKT HD CAP M3 X 10.0	57
-	-	- - - - 1	1338685-1	PAWL, FEED	56
-	-	4 4 4 4 4	2168400-1	SHCS, LOW HEAD, RoHS, M4 X 12	54
-	-	- - - - 1 2	18023-9	SCR, SKT HD CAP M4 X 6.0	49
-	-	- - - - 1	2119652-1	FEED CAM, PRE FEED	48
-	-	- - - - 1	2119653-1	FEED CAM, POST FEED	47
-	-	1 1 1 1 1	2-2119656-1	APPLICATOR BASIC ASSEMBLY, SF	46
-	-	1 - - 1 1 1	2119370-1	RAM, AMP STYLE, SIDE FEED	44
-	-	1 1 1 1 1	2079383-7	SCR, BHSC, RoHS (M8 X 25)	41
-	-	1 - - 1 1 1	2119645-1	DISC, NUMBERED FA WIRE ADJUSTMENT	40
-	-	1 - - 1 1 1	2119957-1	APPLICATOR SHIM PACK	39
-	-	1 1 1 1 1	2119644-1	RAM WASHER, PRECISION	38
-	-	1 1 1 1 1	2119085-1	FA HEAD, ATLANTIC STYLE	37
-	-	1 - - 1 1 1	2119092-1	BOLT, ADJUSTMENT	35
-	-	1 1 1 1 1	1-1752356-3	SUPPORT, TERMINAL	34
-	-	2 2 2 2 2	2079383-5	SCR, BHSC, RoHS (M4 X 20)	33
-	-	1 1 1 1 1	2161328-1	HEX HEAD, FLANGED, M5 X 8mm LONG	32
-	-	1 1 1 1 1	1-1320908-0	SPACER, STRIP GUIDE	30
-	-	1 1 1 1 1	2119959-2	ASSEMBLY, STRIP GUIDE	29
-	-	1 1 1 1 1	455888-3	SPACER, CRIMPER	28
-	-	1 1 1 1 1	1320928-2	STRIP GUIDE	24
-	-	1 1 1 1 1	2119806-1	INSERT, SHEAR	13
-	-	1 1 1 1 1	3-22280-3	SPRING, COMPRESSION	12
-	-	1 1 1 1 1	1-356885-4	STOP, SHEAR	11
-	-	1 1 1 1 1	2119805-1	SHEAR HOLDER, FRONT	10
-	-	1 1 1 1 1	318707-1	FLOATING SHEAR, FRONT	9
-	-	1 1 1 1 1	1333204-5	ANVIL, COMBINATION	8
-	-	1 1 1 1 1	2119781-5	DEPRESSOR, SHEAR	5
-	-	1 1 1 1 1	238011-4	BLOCK, CRIMPER SPACER	4
-	-	1 1 1 1 1	2119784-4	CRIMPER, INSULATION O PREMIUM	3
-	-	1 1 1 1 1	1-455888-0	SPACER, CRIMPER	2
-	-	1 1 1 1 1	1-456405-5	CRIMPER, WIRE PREMIUM	1

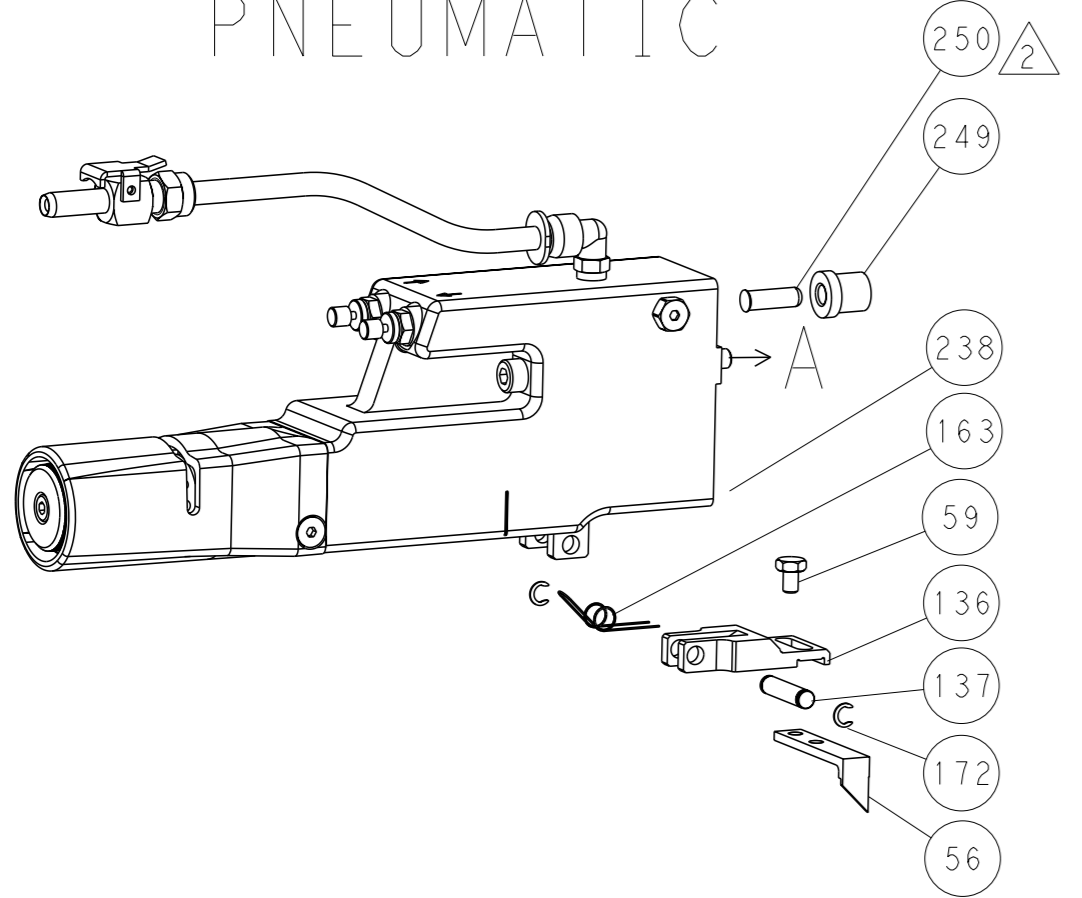
DIMENSIONS:	TOLERANCES UNLESS OTHERWISE SPECIFIED:	OWN	CHK	DATE	NAME
mm	0 PLC ± 1 PLC ± 2 PLC ± 3 PLC ± 4 PLC ± ANGLES ±	H. HUANG	L. ZHANG	26SEP2013	Ocean Side Feed Applicator
MATERIAL:		APVD	U. GUO	26SEP2013	SIZE CASE CODE DRAWING NO RESTRICTED TO
		WEIGHT	A1 00779 ©=2266059		Customer Accessible Production Drawing SCALE 1:2 SHEET 1 of 4 REV B1

REVISONS		DATE	OWN	APVD
P	LYR			
- SEE SHEET 1				

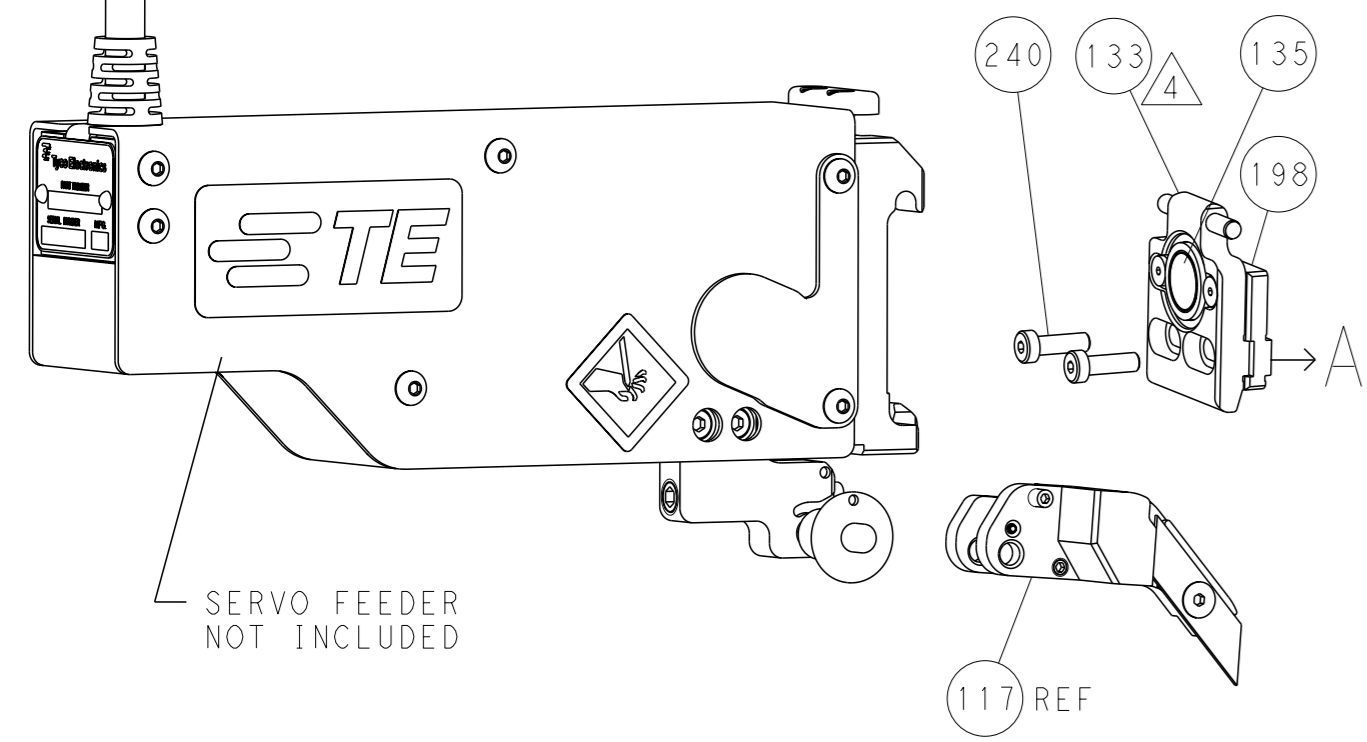
FEED TYPE MECHANICAL



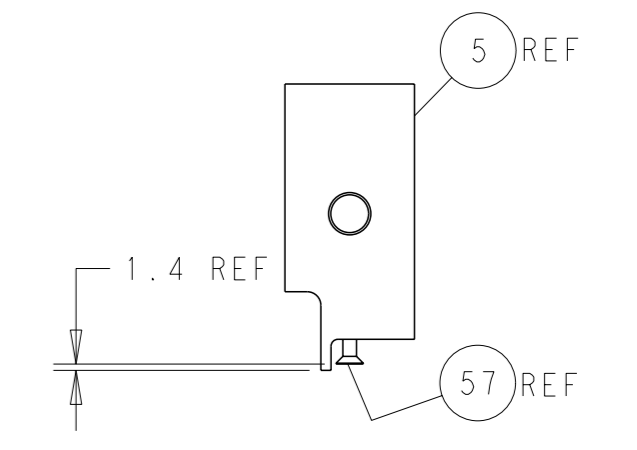
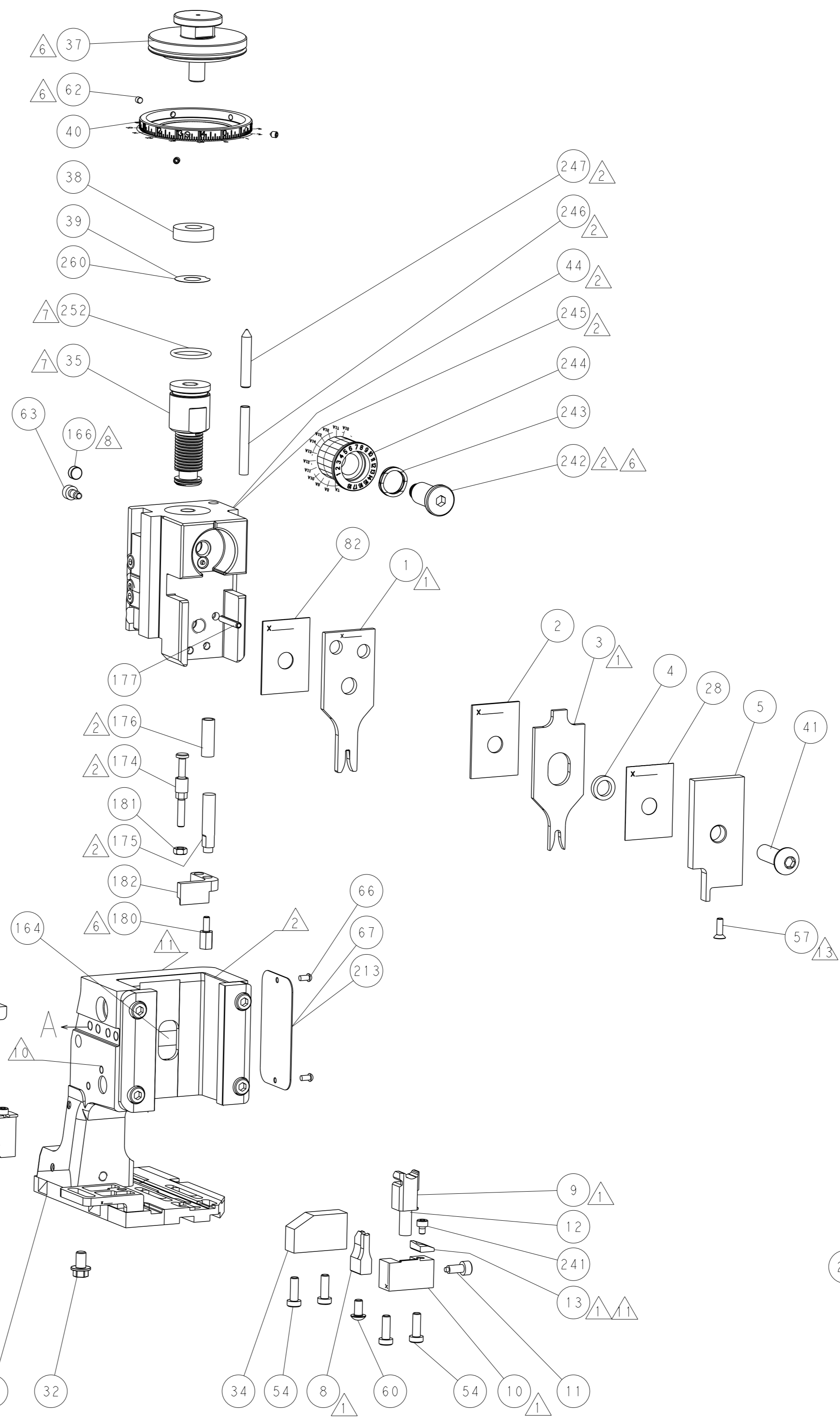
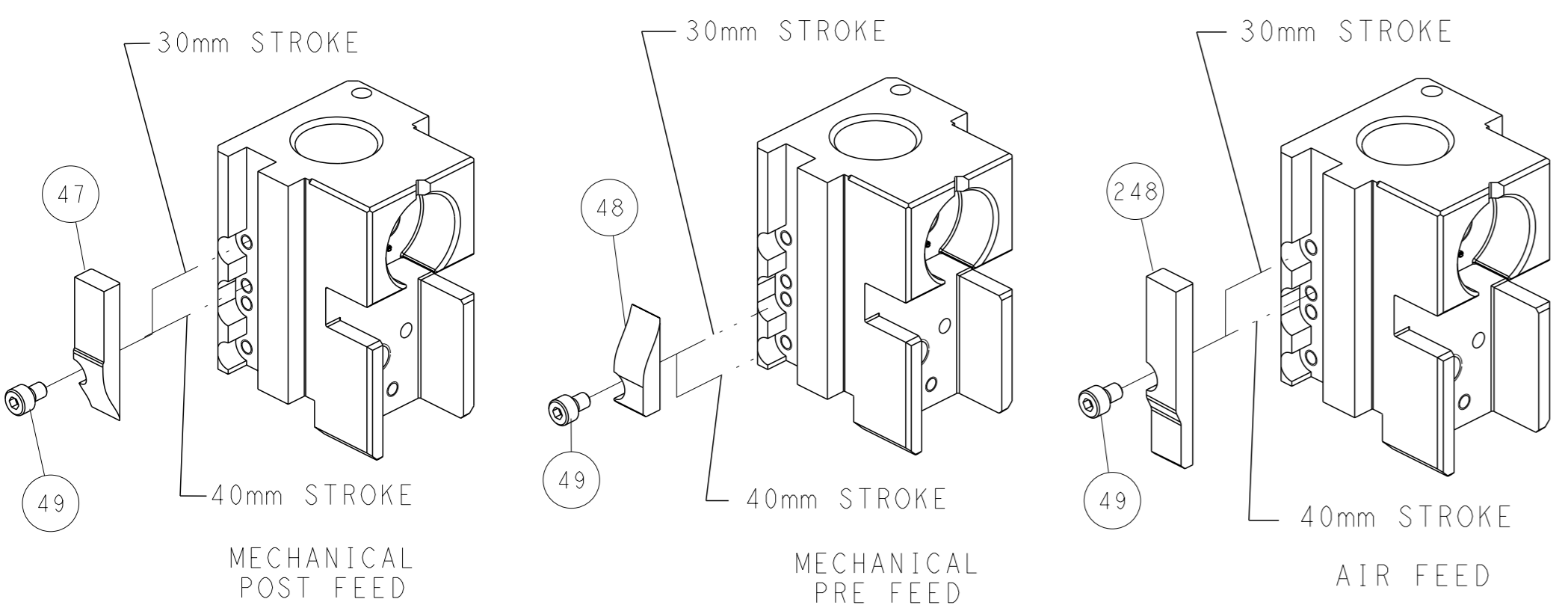
PNEUMATIC



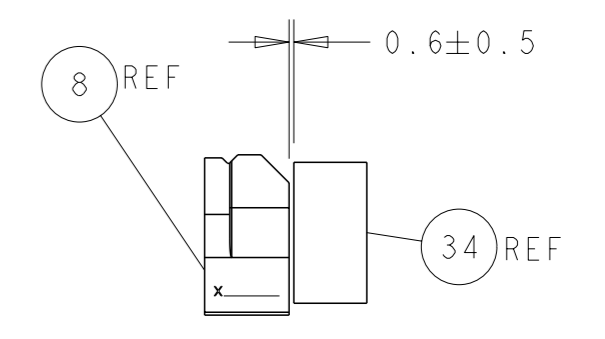
SERVO LATCH PLATE



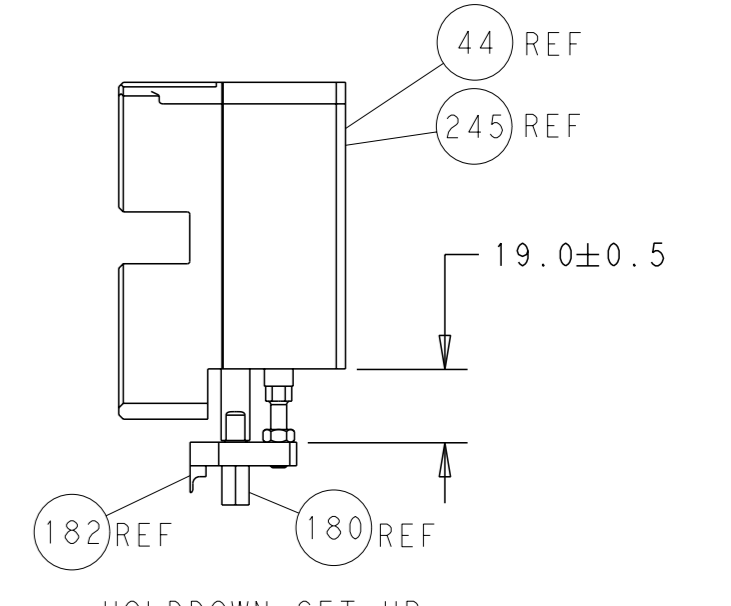
CAM POSITIONS



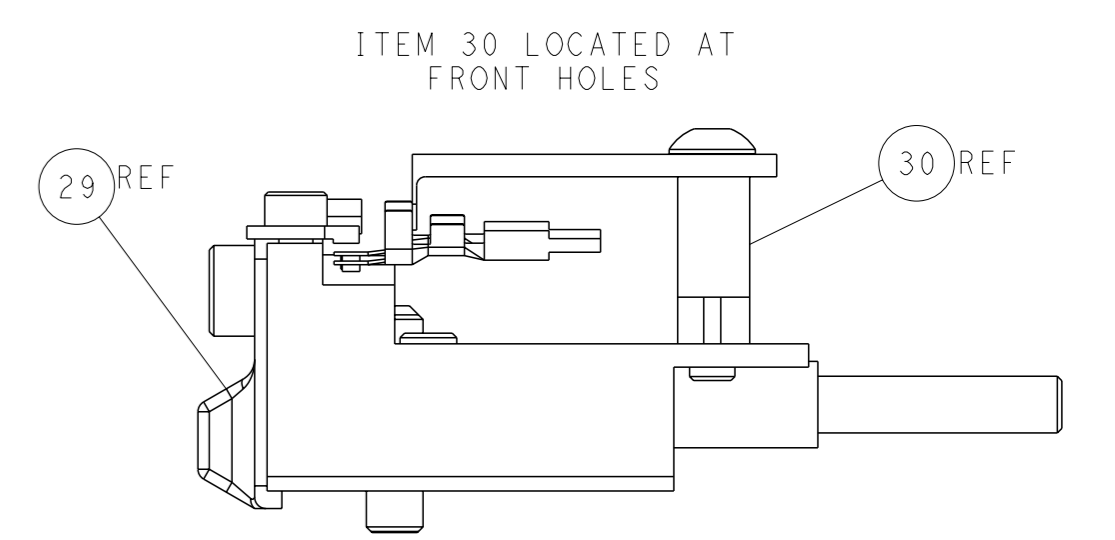
SHEAR DEPRESSOR DETAIL



TERMINAL SUPPORT LOCATION



HOLDDOWN SET-UP



FEED TRACK POSITION GUIDE BY INSULATION BARREL

ATLANTIC VERSION
 Shown on sheets 1 of 4 & 2 of 4
 (Pacific version shown on sheets 3 of 4 & 4 of 4)

DIMENSIONS: mm 		TOLERANCES UNLESS OTHERWISE SPECIFIED: 0 PLC ± 1 PLC ± 2 PLC ± 3 PLC ± 4 PLC ± ANGLES ± FINISH ±		OWN: H. HUANG CHK: L. ZHANG APVD: J. GUO DATE: 26SEP2013 NAME: Ocean Side Feed Applicator SIZE: A1 CAGE CODE: 00779 DRAWING NO: C=2266059 SCALE: 1:2 SHEET: 2 of 4 REV: B1		TE Connectivity Harrisburg, PA 17105-3608 RESTRICTED TO:	
-----------------------	--	---	--	--	--	--	--

PACIFIC VERSION TERMINATOR INTERFACE ADAPTER	PART NUMBER	REVISION	DESCRIPTION	FEED TYPE	
	2-2266059-1	B	FINE CRIMP HEIGHT ADJUST	MECHANICAL	OBSOLETE
	2-2266059-2	B	FINE CRIMP HEIGHT ADJUST	PNEUMATIC	OBSOLETE
	2-2266059-5	B	FINE CRIMP HEIGHT ADJUST	SERVO LATCH PLATE	OBSOLETE
	2-2266059-7	B	FINE CRIMP HEIGHT ADJUST	NONE	OBSOLETE
	7-2266059-7	A	CRIMP TOOLING KIT	-	

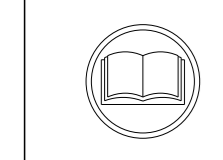
APPLICATOR DATA		
CRIMP	SIZE	TYPE
WIRE	2.03 mm [.080]	F
INSUL	3.30 mm [1.30]	O
APPLICATOR INSTRUCTIONS 408-10389		

TERMINAL DATA: TE TERMINAL		TE CRIMP SPECIFICATION	
TERMINAL NAME: MICRO TIMER CONTACT FOR SINGLE WIRE SEALING			
WIRE STRIP LENGTH		INSULATION DIAMETER RANGE	
3.50-4.10 mm [1.38-.161 IN]		Ø1.40-2.10 mm [0.055-.082 IN]	
TERMINAL APPLICATION SPECIFICATION	(B)114-18082		
	(A)114-18081		
TERMINALS APPLIED			
TE TERMINAL	TE TERMINAL	TE SEAL	TE SEAL
(A) 968015-1	(B) 963904-1	(A) 964971-1	(A) 964972-1
(A) 968015-2	(B) 963904-2	(A) 963530-1	
(A) 968015-7	(B) 963904-3		

TERMINAL DATA: TE TERMINAL		TE CRIMP SPECIFICATION	
TERMINAL NAME: MICRO TIMER CONTACT FOR SINGLE WIRE SEALING			
WIRE STRIP LENGTH		INSULATION DIAMETER RANGE	
3.50-4.10 mm [1.38-.161 IN]		Ø1.40-2.10 mm [0.055-.082 IN]	
TERMINAL APPLICATION SPECIFICATION	(A) 114-18081		
TERMINALS APPLIED			
TE TERMINAL	TE TERMINAL	TE SEAL	TE SEAL
(A) 962876-1	(A) 962876-7	964971-1	964972-1
(A) 962876-2		963530-1	
(A) 962876-3			
(A) 962876-5			
(A) 962876-6			

WIRE SIZE	CRIMP HEIGHT mm [INCH]	CRIMP HEIGHT REFERENCE SETTING
1.00mm2	1.36 +/- 0.05 [0.054 +/- .002]	4.7
0.75mm2	1.27 +/- 0.05 [0.050 +/- .002]	5.6
0.50mm2	1.18 +/- 0.05 [0.046 +/- .002]	6.6

WIRE SIZE	CRIMP HEIGHT mm [INCH]	CRIMP HEIGHT REFERENCE SETTING
1.00mm2	1.20 +/- 0.05 [0.047 +/- .002]	6.6
0.75mm2	1.18 +/- 0.05 [0.046 +/- .002]	6.8
0.50mm2	1.15 +/- 0.05 [0.045 +/- .002]	7.1



- 1 RECOMMENDED SPARE PARTS
- 2 GREASE BEARING SURFACES LIGHTLY
- 3. LUBRICATE DAILY PER THE APPLICATOR INSTRUCTION SHEET SUPPLIED WITH THE APPLICATOR.
- 4 APPLICATOR SPECIFIC DATA TO BE ENTERED INTO BLANK MEMORY CHIP AT ASSEMBLY. SEE BELOW FOR PART NUMBER:
MECHANICAL FEED WITH "SMART APPLICATOR" CONVERSION: 8-2266059-4
PNEUMATIC FEED WITH "SMART APPLICATOR" CONVERSION: 8-2266059-4
SERVO FEED WITH "FINE CRIMP HEIGHT ADJUST": 8-2266059-5
- 5. ADJUSTMENT OF THE STRIPPER MAY BE REQUIRED WHEN MOVING THE APPLICATOR BETWEEN BENCH AND LEADMAKER APPLICATIONS.
- 6 APPLY PART NUMBER 1-23419-5 LOCTITE TO THREADS OF ITEMS 62, 180. APPLY PART NUMBER 2-23419-6 LOCTITE TO THREADS OF ITEMS 242.
- 7 GREASE THREADS, GROOVE AND O-RING ON ITEMS 139 & 152.
- 8 MAGNET MUST BE ORIENTED CORRECTLY IN ORDER TO PROPERLY ACTUATE THE COUNTER.
- 9 CRIMP HEIGHT REFERENCE SETTING WAS THE SETTING USED WHEN THE APPLICATOR WAS QUALIFIED AT THE FACTORY. ADJUSTMENT MAY BE NECESSARY WHEN RUNNING APPLICATOR IN THE FIELD.
- 10 SPARE FEED CAM STORAGE LOCATION REFER TO INSTRUCTION SHEET FOR ADDITIONAL INFORMATION.
- 11 TO CONVERT THE APPLICATOR TO A NON-CARRIER CUTTING STYLE, REMOVE ITEM 13 AND ATTACH TO THE LOCATION ON BACK SIDE OF THE HOUSING. REFER TO INSTRUCTION SHEET FOR ADDITIONAL INFORMATION.

- 12 APPLY TORQ-SEAL IN ALLEN SOCKET TO FILL HOLE AFTER FLAT HD HAS BEEN ADJUSTED TO CORRECT HEIGHT AT QUALIFICATION. APPLY #1-23419-5 LOC-TITE TO THREADS.
- 13 THIS APPLICATOR APPLIES TERMINAL WITH A SEAL.
SEAL PT.NO. 963530 INS. RANGE 1.4-1.9 DIA
SEAL PT.NO. 964972 INS. RANGE 1.9-2.1 DIA
SEAL PT.NO. 964971 INS. RANGE 1.2-1.6 DIA (0.5SQMM WIRE)
- 14. THIS APPLICATOR IS SPECIFIC FOR USE IN A STRIPPER SEAL TERMINATING UNIT.

***WARNING**
ON INSTALLATION, SET WIRE DISC, ITEM 40 TO LARGEST WIRE SIZE SETTING. USE OF SETTINGS BELOW MINIMUM REQUIRED CRIMP HEIGHT SETTING WILL CAUSE DAMAGE TO CRIMP TOOLING.

PACIFIC VERSION
Shown on sheets 3 of 4 & 4 of 4
(Atlantic version shown on sheets 1 of 4 & 2 of 4)

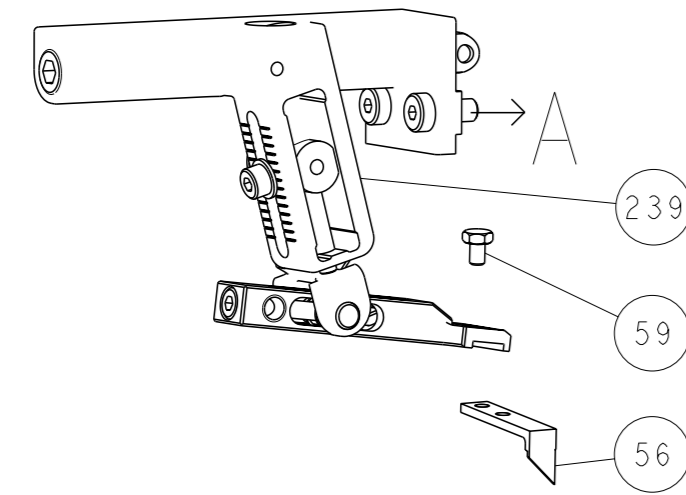
SET UP GAUGE	LOC	DIST	REVISIONS			
2119599-1	A	66	#	DATE	OWN	APVD
			-	SEE SHEET 1	-	-

-	1	1	1	1	2119782-1	FINE ADJUST HEAD ASM, PACIFIC STYLE	251
-	-	-	1	-	2119640-1	PUSH ROD, AIR FEED	250
-	-	-	1	-	2079988-1	BUSHING, LCH5-12, MISUMI	249
-	1	1	1	1	1-22279-3	SPRING, COMPRESSION	246
-	1	1	1	1	2119082-9	CAM, SNAIL, INSULATION ADJUSTMENT	244
-	1	1	1	1	2079764-1	WASHER, WAVE SPRING, CREST-TO-CREST	243
-	1	1	1	1	2119083-1	RETAINER, INSULATION DIAL	242
-	1	1	1	1	7-18023-7	SCR, SKT HD CAP M3 X 4.0	241
-	-	2	-	-	2168400-6	SHCS, LOW HEAD, RoHS, M5 X 16	240
-	-	-	-	1	2119580-1	MECHANICAL FEED ASSEMBLY	239
-	-	-	1	-	2063440-1	AIR FEED MODULE	238
-	-	-	1	-	2119740-2	TAG, IDENTIFICATION	213
-	-	1	-	-	1901094-3	SPACER, FEEDER	198
-	1	1	1	1	4-1722335-3	STRIPPER, SIDE FEED	182
-	1	1	1	1	1-5018030-0	NUT, HEX, REG, RoHS, M3.5	181
-	1	1	1	1	1-1752354-9	STANDOFF, HOLD-DOWN	180
-	1	1	1	1	993111-1	PIN, SLOTTED SPRING 3.0 X 20.0	177
-	1	1	1	1	5-22280-0	SPRING, COMPRESSION	176
-	1	1	1	1	1752353-3	GUIDE PIN, HOLDDOWN	175
-	1	1	1	1	1901680-2	GUIDE PIN, HOLDDOWN	174
-	-	-	2	-	21045-3	RING, RETAIN, EXTERN, 3/16 CRESCENT	172
-	1	1	1	1	994969-1	MAGNET, RARE EARTH HIGH ENERGY	166
-	REF	REF	REF	REF	994970-2	COUNTER, MAGNETIC	164
-	-	-	1	-	240638-1	SPRING, FEED FINGER	163
-	1	1	1	1	8-21084-1	O-RING, .801 ID, .070 DIA. MAT.	152
-	-	-	1	-	2119641-2	FEED CAM, AIR FEED	151
-	1	1	1	1	2119798-2	DETENT PIN	145
-	1	1	1	1	2079383-8	SCR, BHSC, RoHS (M4 X 16)	144
-	4	4	4	4	2168400-5	SHCS, LOW HEAD, RoHS, M4 X 20	143
-	-	-	-	1	2119653-2	FEED CAM, POST FEED	142
-	1	1	1	1	2-2119656-2	APPLICATOR BASIC ASSEMBLY, SF	141
-	1	1	1	1	2119650-1	RAM, ASIAN STYLE, SIDE FEED	140
-	1	1	1	1	2119092-2	BOLT, ADJUSTMENT	139
-	-	-	1	-	3-23627-7	PIN, RETAIN, GRVD, 3/16 X .854	137
-	-	-	1	-	2119799-1	HOLDER, FEED FINGER, AF	136
-	-	REF	-	-	SEE NOTE 4	MEMORY CHIP, PROGRAMMED	135
-	-	1	-	-	1633743-1	SERVO FEED LATCH ASM	133
-	-	REF	-	-	2119944-1	FEED FINGER ASSEMBLY, SF	117
-	1	1	1	1	455888-6	SPACER, CRIMPER	82
-	1	1	1	1	2119956-1	DOCUMENTATION PACKAGE	71
-	1	-	1	1	2119740-1	TAG, IDENTIFICATION	67
-	2	2	2	2	2168078-1	SCREW, DRIVE, RH, RoHS, 2 x .188	66
-	1	1	1	1	2119793-1	LIMITER, ADJUSTMENT BOLT	63
-	3	3	3	3	992763-5	SCR, SET, SOC, CONE PNT, M3 X 4.0	62
-	-	-	1	1	5-18022-5	SCR, HEX HD CAP, M4 X 6.0	59
-	1	1	1	1	985575-3	SCR, FLT SKT HD CAP M3 X 10.0	57
-	-	-	1	1	1338685-1	PAWL, FEED	56
-	-	-	1	2	18023-9	SCR, SKT HD CAP M4 X 6.0	49
-	-	-	-	1	2119652-1	FEED CAM, PRE FEED	48
-	1	1	1	1	2079383-7	SCR, BHSC, RoHS (M8 X 25)	41
-	1	1	1	1	2119645-1	DISC, NUMBERED FA WIRE ADJUSTMENT	40
-	1	1	1	1	2119957-1	APPLICATOR SHIM PACK	39
-	1	1	1	1	2119644-1	RAM WASHER, PRECISION	38
-	1	1	1	1	1-1752356-3	SUPPORT, TERMINAL	34
-	2	2	2	2	2079383-5	SCR, BHSC, RoHS (M4 X 20)	33
-	1	1	1	1	2161328-1	HEX HEAD, FLANGED, M5 X 8mm LONG	32
-	1	1	1	1	1-1320908-0	SPACER, STRIP GUIDE	30
-	1	1	1	1	2119959-2	ASSEMBLY, STRIP GUIDE	29
-	1	1	1	1	455888-3	SPACER, CRIMPER	28
-	1	1	1	1	1320928-2	STRIP GUIDE	24
-	1	1	1	1	2119806-1	INSERT, SHEAR	13
-	1	1	1	1	3-22280-3	SPRING, COMPRESSION	12
-	1	1	1	1	1-356885-4	STOP, SHEAR	11
-	1	1	1	1	2119805-1	SHEAR HOLDER, FRONT	10
-	1	1	1	1	318707-1	FLOATING SHEAR, FRONT	9
-	1	1	1	1	1333204-5	ANVIL, COMBINATION	8
-	1	1	1	1	2119781-5	DEPRESSOR, SHEAR	5
-	1	1	1	1	238011-4	BLOCK, CRIMPER SPACER	4
-	1	1	1	1	2119784-4	CRIMPER, INSULATION O PREMIUM	3
-	1	1	1	1	1-455888-0	SPACER, CRIMPER	2
-	1	1	1	1	1-456405-5	CRIMPER, WIRE PREMIUM	1

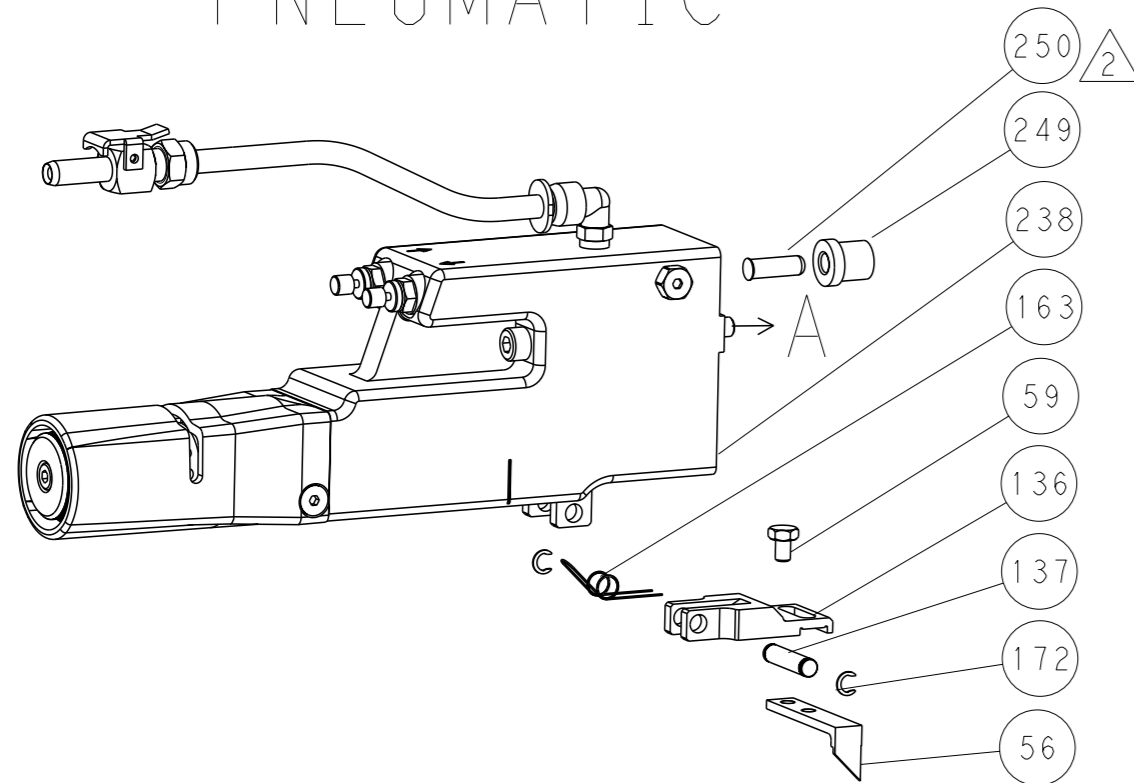
DIMENSIONS:	TOLERANCES UNLESS OTHERWISE SPECIFIED:	OWN	CHK	DATE	NAME
mm	0 PLC ± 1 PLC ± 2 PLC ± 3 PLC ± 4 PLC ± ANGLES ±	L. HUANG	L. ZHANG	26SEP2013	TE Connectivity
		U. GUO		26SEP2013	Harrisburg, PA 17105-3608
					Ocean Side Feed Applicator
MATERIAL:	FINISH	WEIGHT	SCALE	SHEET	REV
			1:2	3 of 4	B1

LOC	DIST	REVISIONS				
A	66	REV	DESCRIPTION	DATE	OWN	APVD
		-	SEE SHEET 1	-	-	-

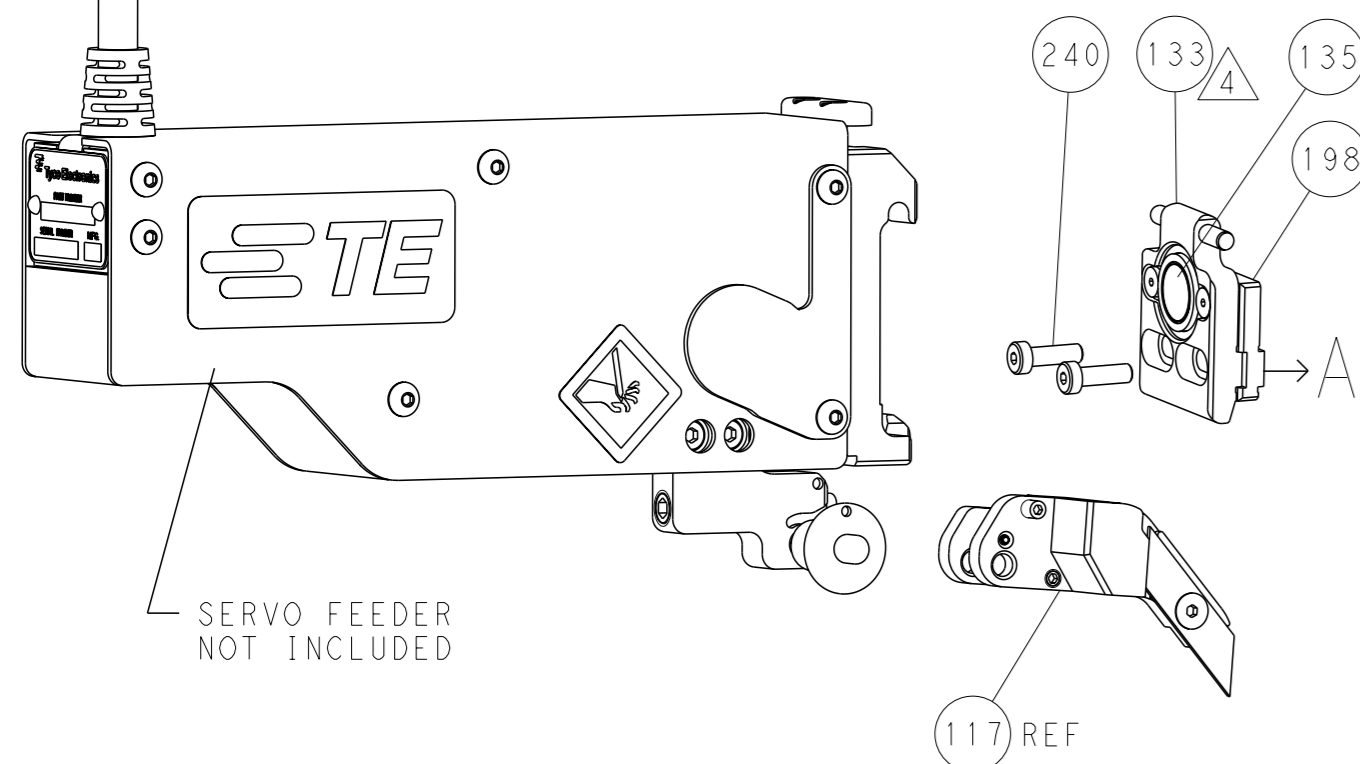
FEED TYPE MECHANICAL



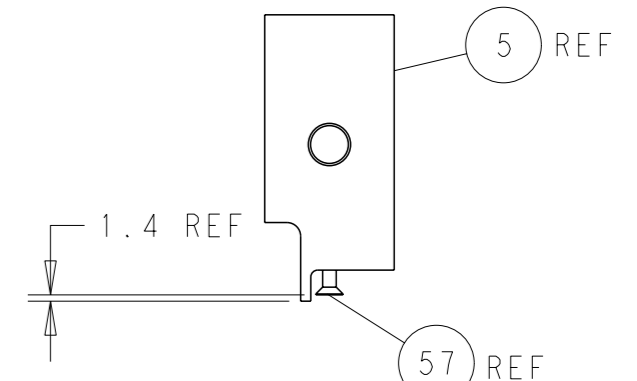
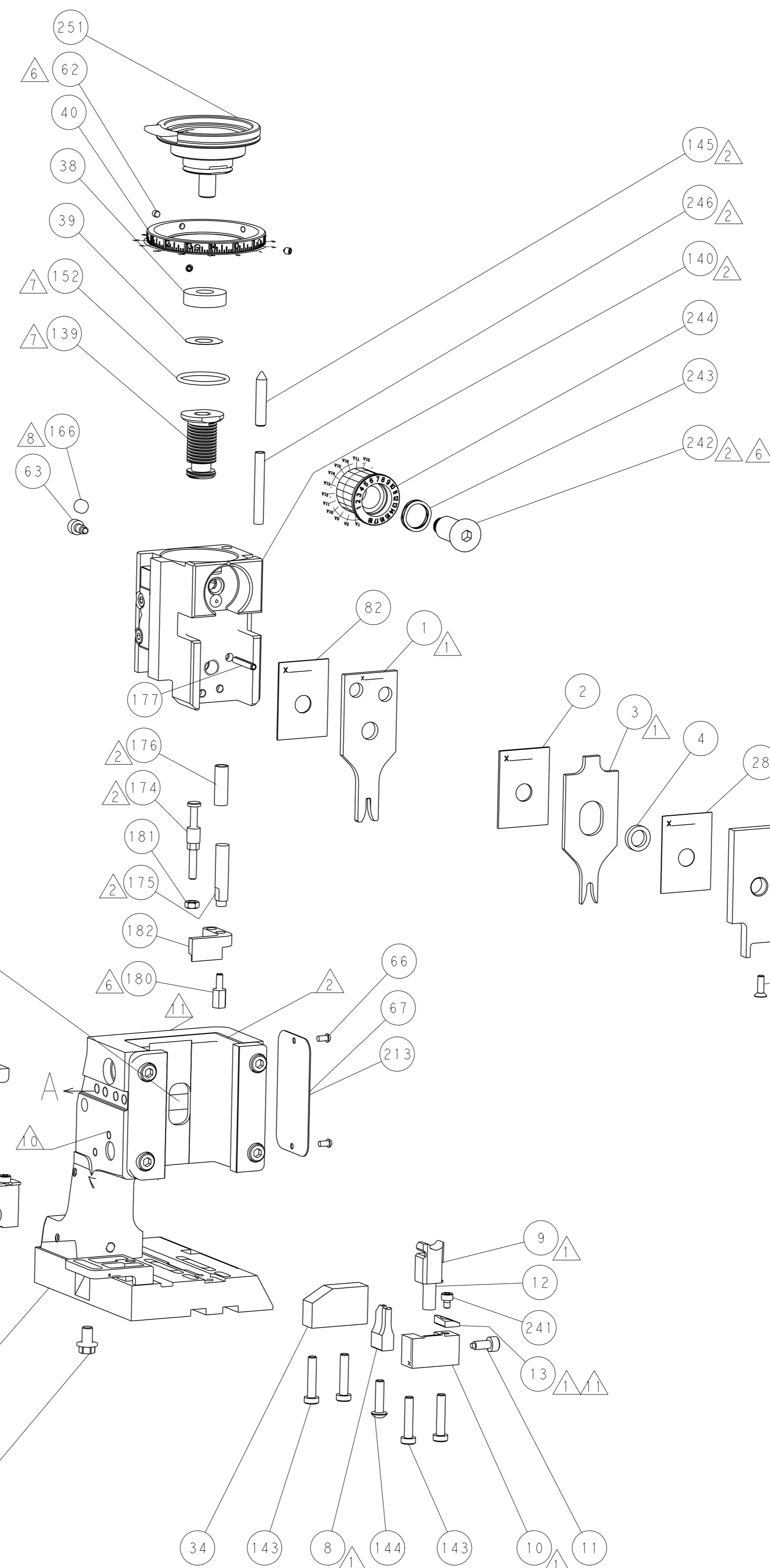
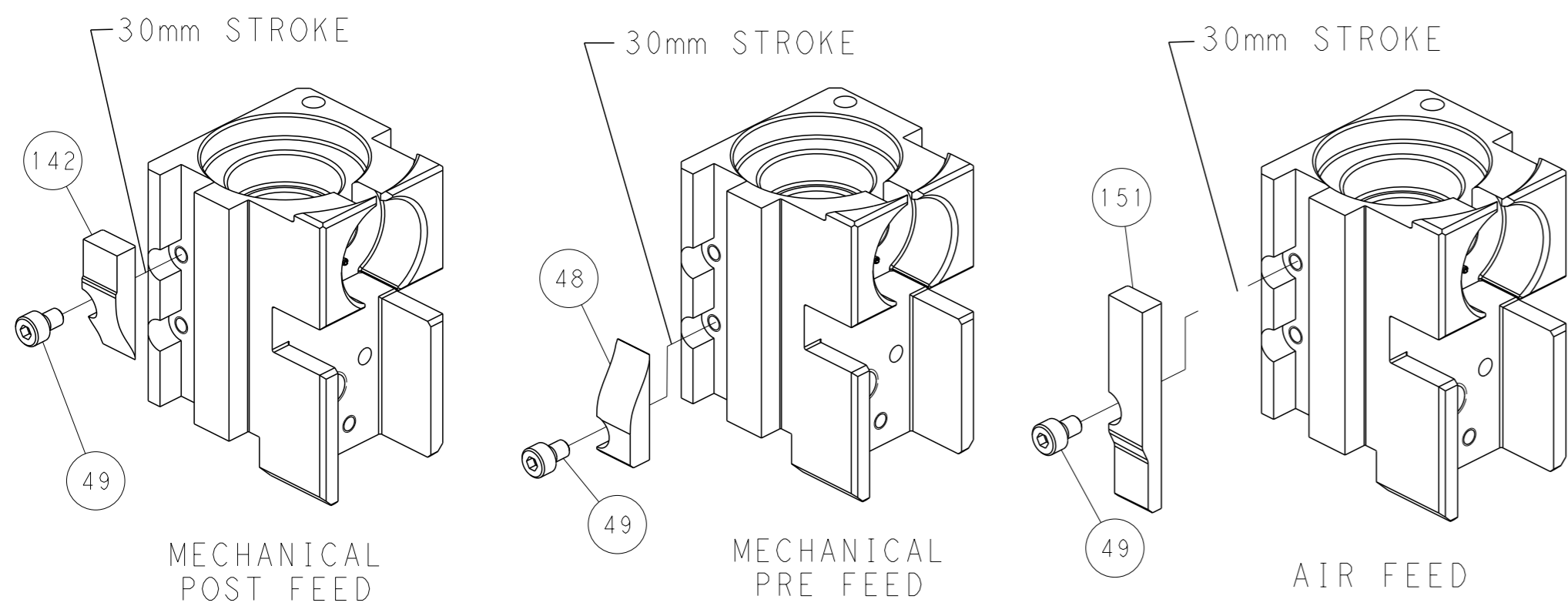
PNEUMATIC



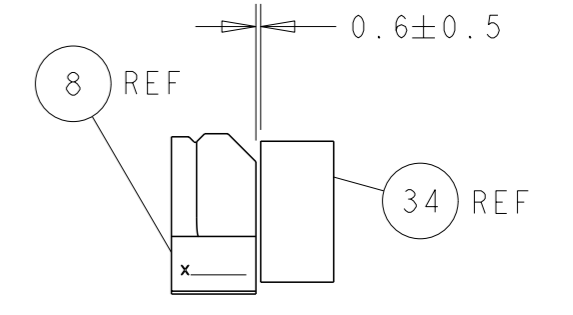
SERVO LATCH PLATE



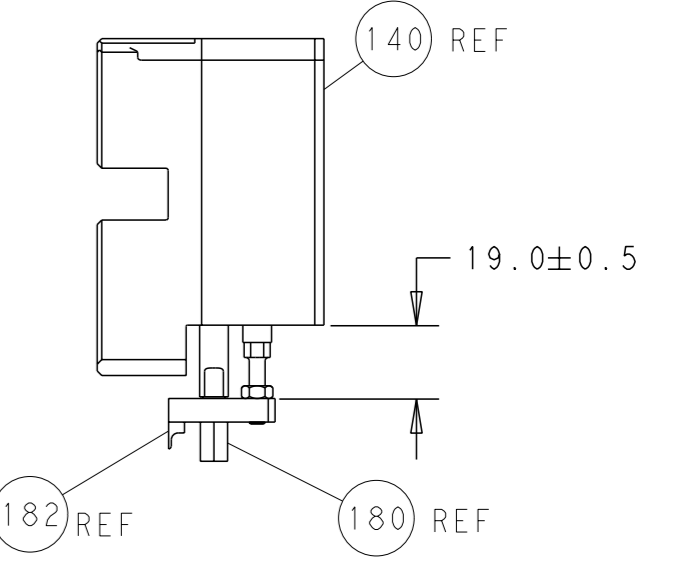
CAM POSITIONS



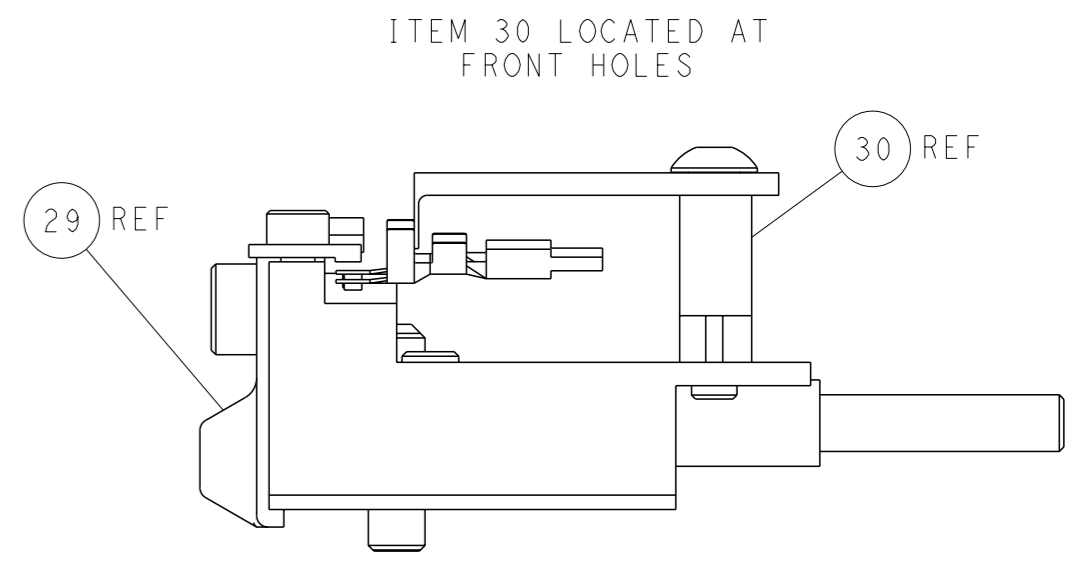
SHEAR DEPRESSOR DETAIL



TERMINAL SUPPORT LOCATION



HOLDDOWN SET-UP



FEED TRACK POSITION GUIDE BY INSULATION BARREL

PACIFIC VERSION
 Shown on sheets 3 of 4 & 4 of 4
 (Atlantic version shown on sheets 1 of 4 & 2 of 4)

<small>THIS DRAWING IS A CONTROLLED DOCUMENT FOR TYCO ELECTRONICS CORPORATION. IT IS SUBJECT TO CHANGE AND THE CONTROL AND ISSUING ORGANIZATION SHOULD BE CONTACTED FOR THE LATEST REVISION.</small>		OWN: H. HUANG CHK: L. ZHANG APVD: J. GUO	DATE: 26SEP2013 PRODUCT SPEC: 26SEP2013	TE Connectivity Harrisburg, PA 17105-3608
DIMENSIONS: mm TOLERANCES UNLESS OTHERWISE SPECIFIED: 0 PLC ± 1 PLC ± 2 PLC ± 3 PLC ± 4 PLC ± ANGLES FINISH ±	MATERIAL:	NAME: Ocean Side Feed Applicator	SIZE: A1 CAGE CODE: 00779 DRAWING NO: C=2266059	RESTRICTED TO:
Customer Accessible Production Drawing		SCALE: 1:2	SHEET: 4 of 4	REV: B1

Mouser Electronics

Authorized Distributor

Click to View Pricing, Inventory, Delivery & Lifecycle Information:

[TE Connectivity:](#)

[2266059-2](#)