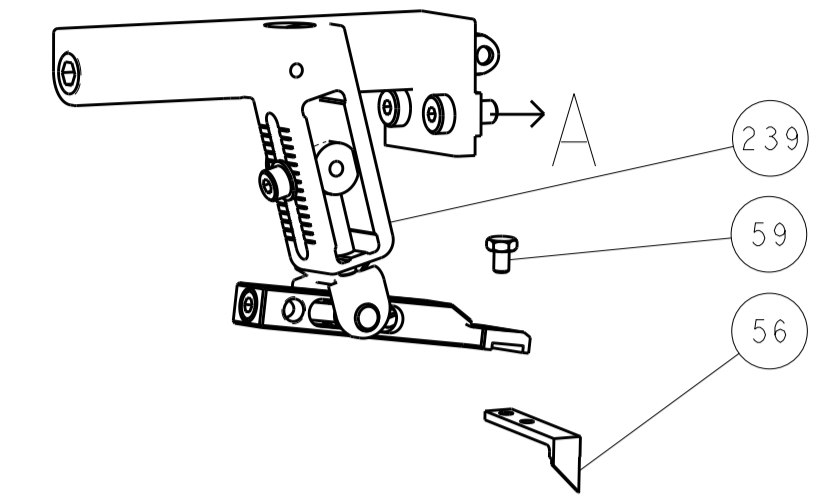
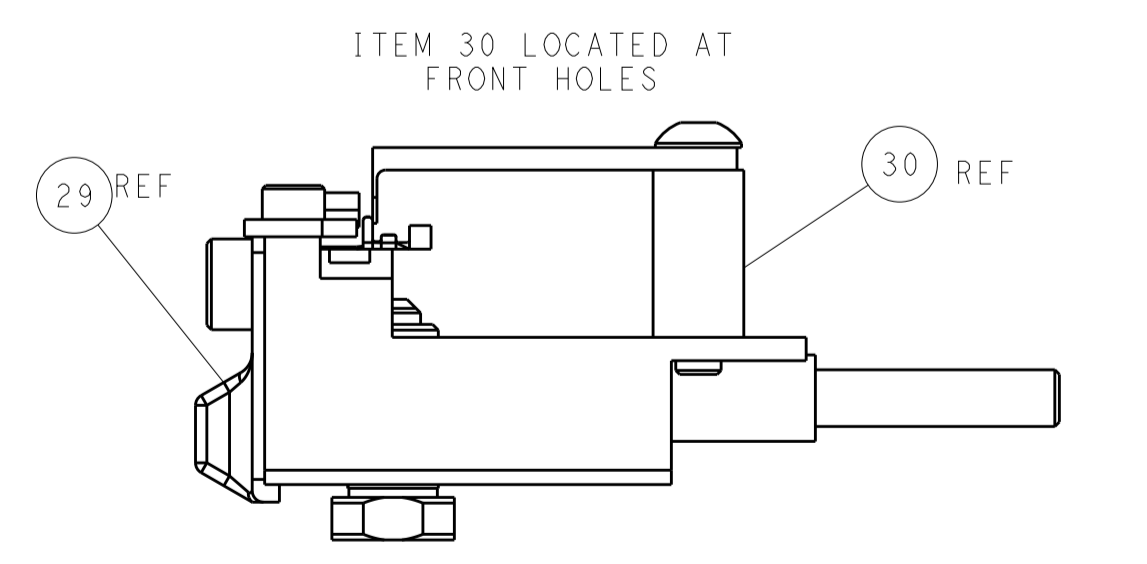
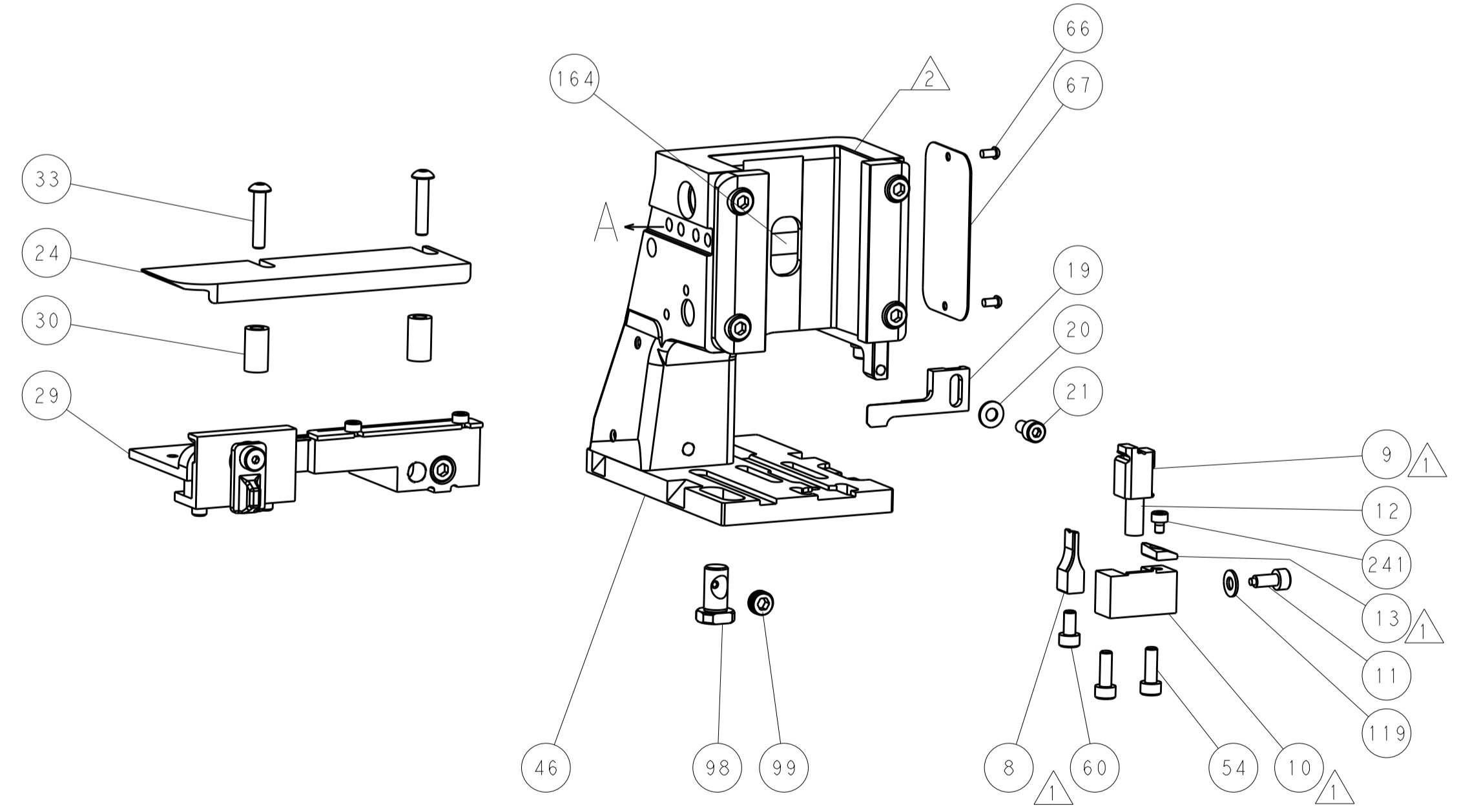
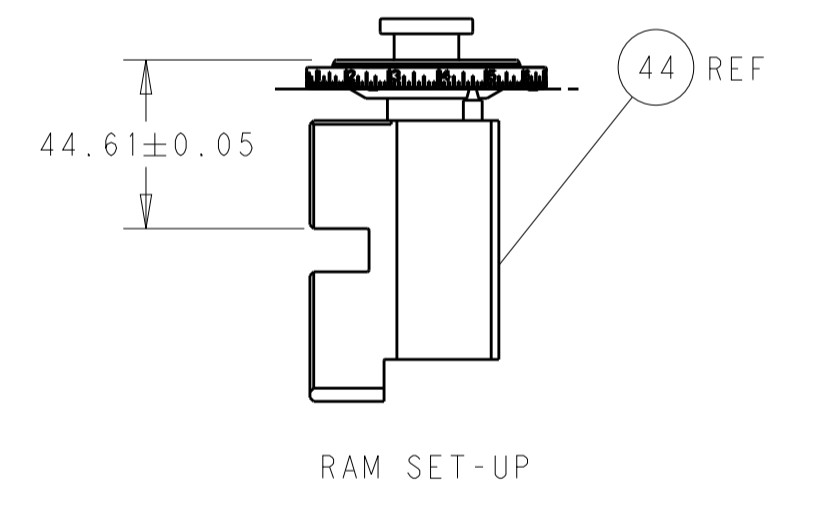
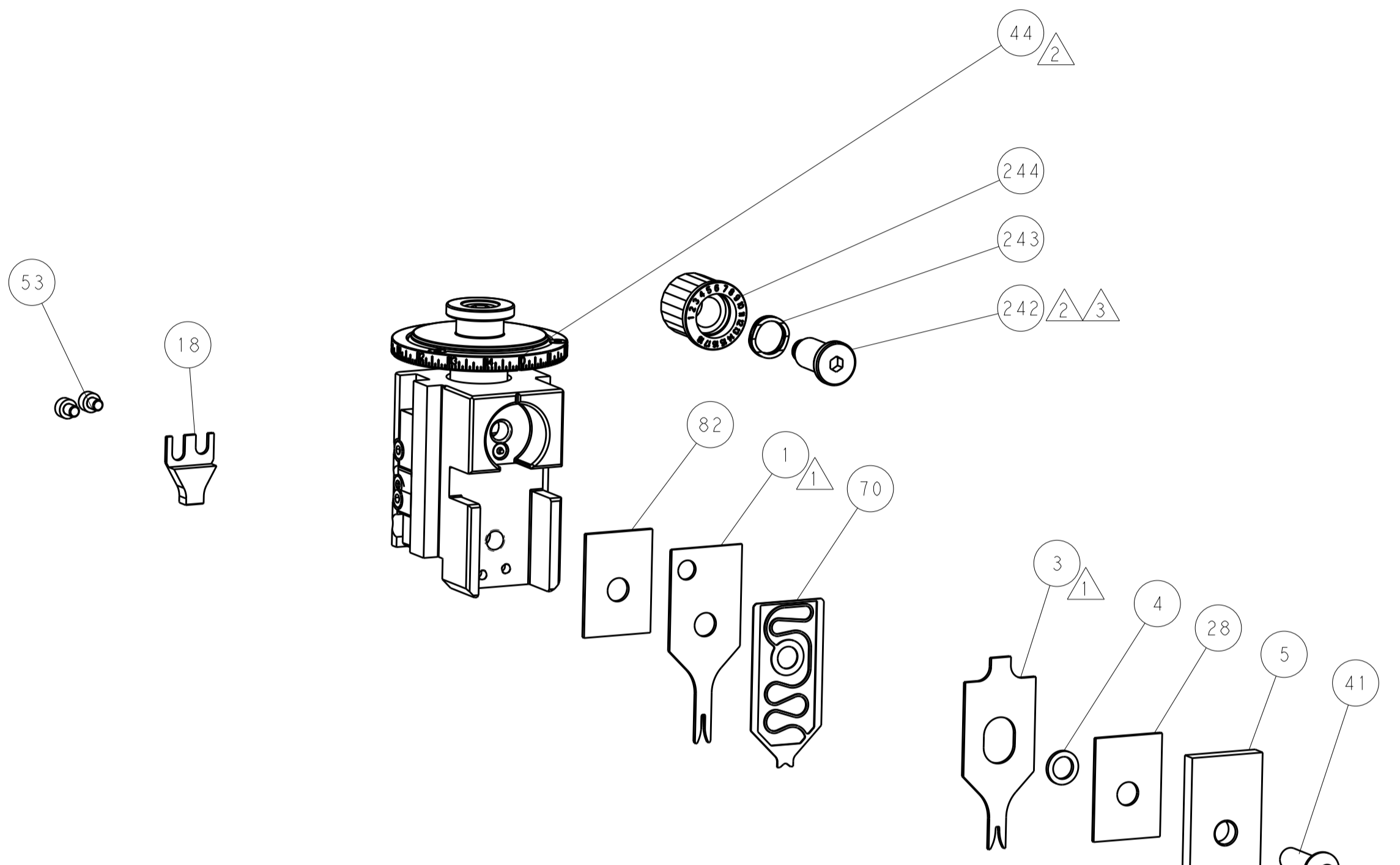
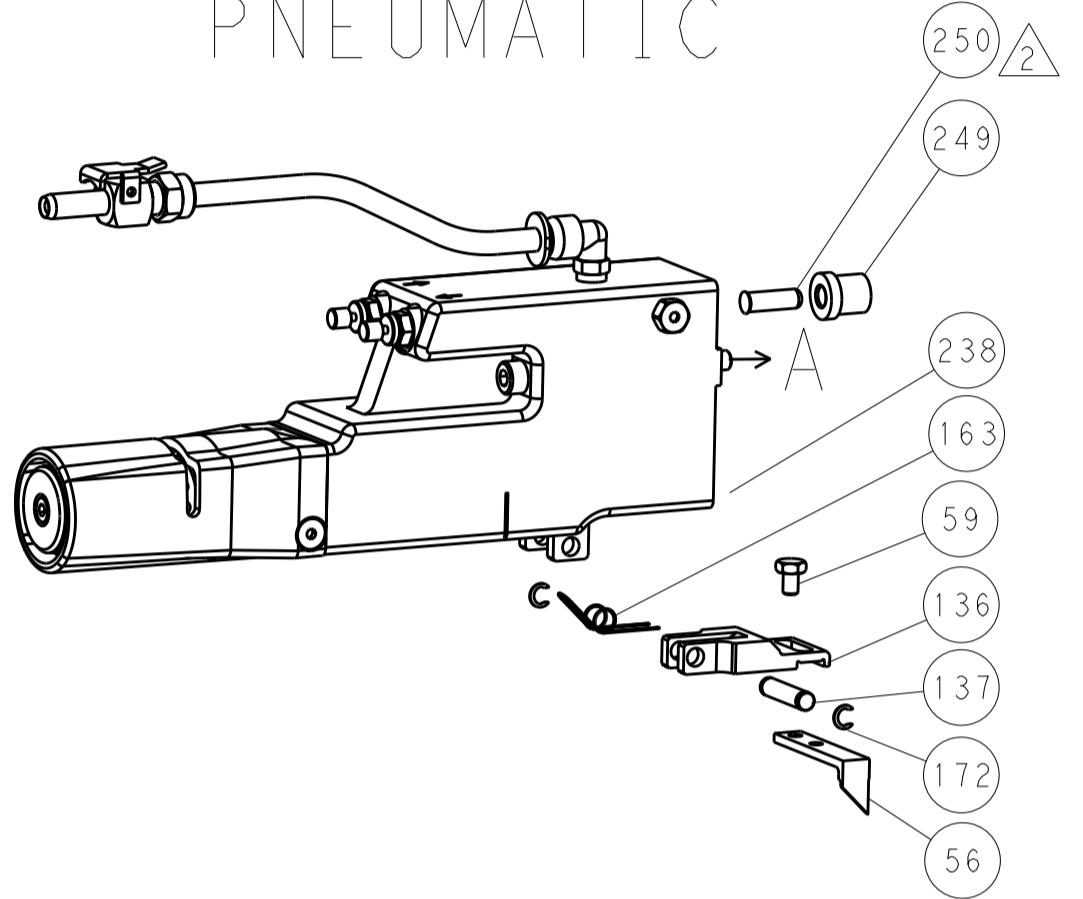


| LOC | | DIST | | REVISIONS | | | |
|-----|------|------|----|-------------|------|----|---------|
| NO. | REV. | DATE | BY | DESCRIPTION | DATE | BY | APPROV. |
| A | 66 | | | SEE SHEET 1 | | | |

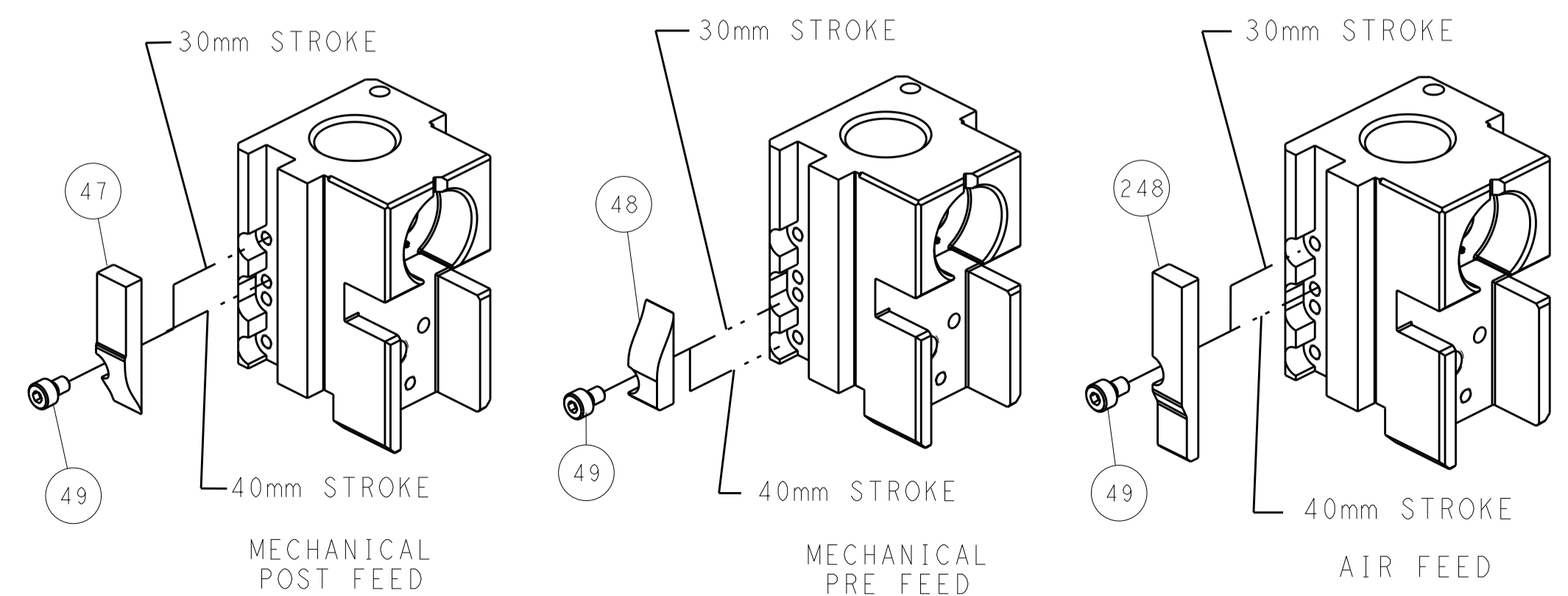
FEED TYPE MECHANICAL



PNEUMATIC



CAM POSITIONS

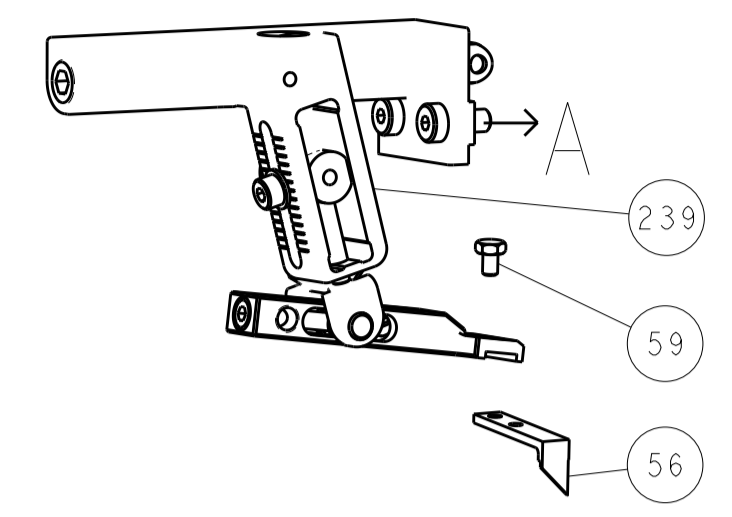


ATLANTIC VERSION
 Shown on sheets 1 of 4 & 2 of 4
 (Pacific version shown on sheets 3 of 4 & 4 of 4)

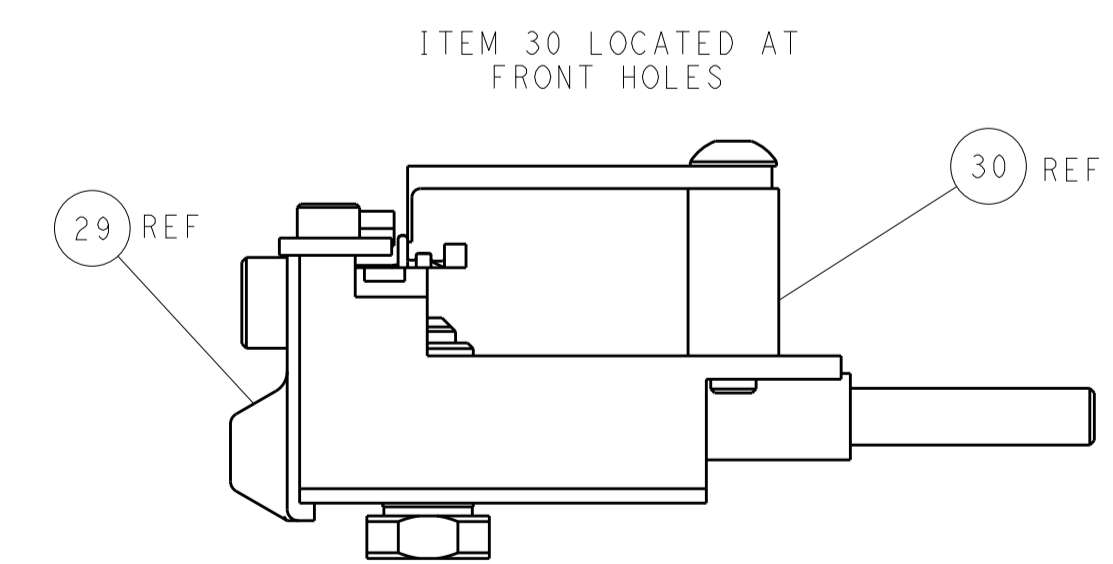
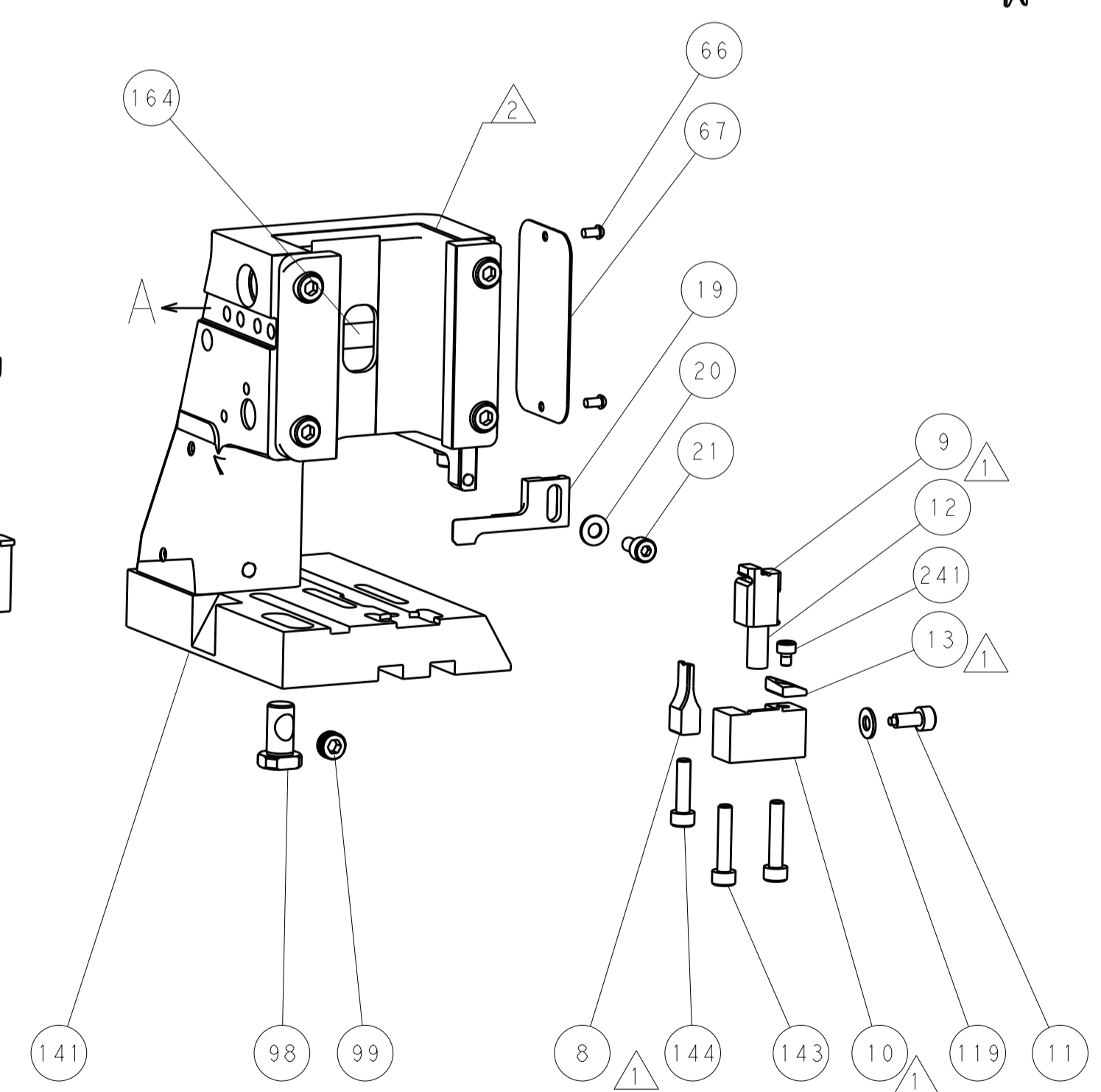
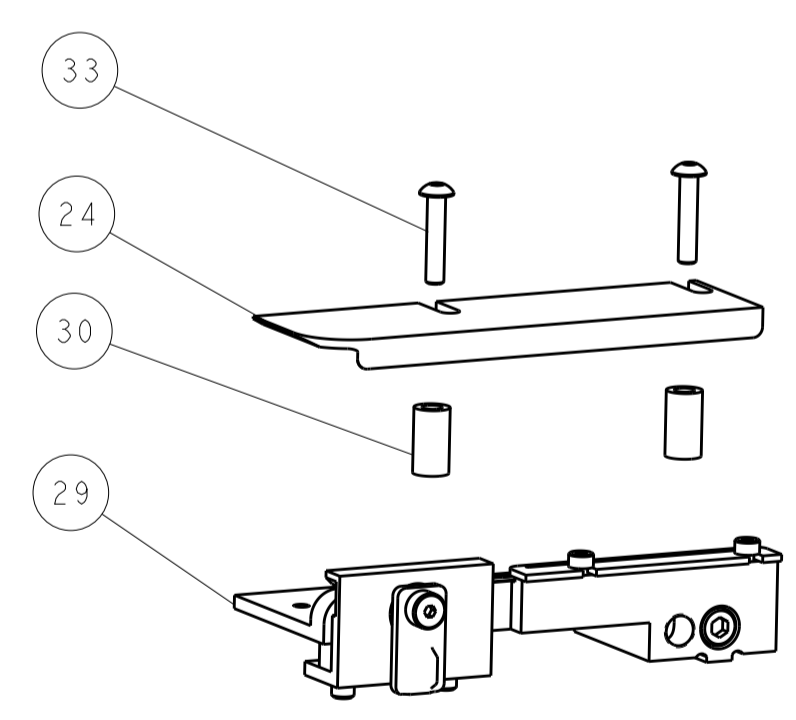
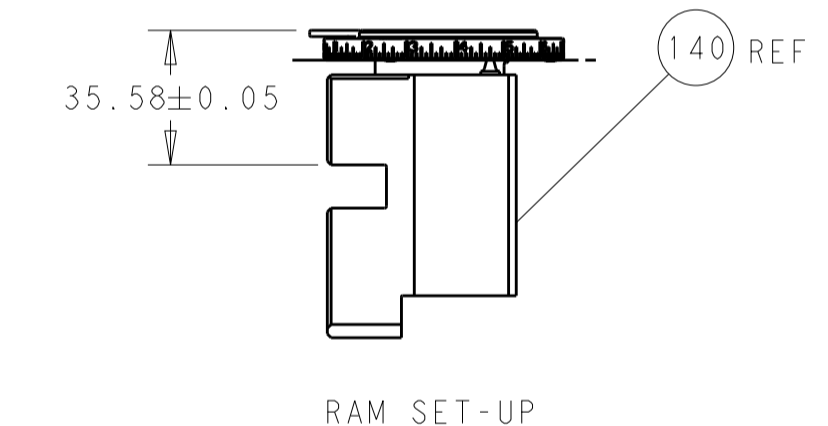
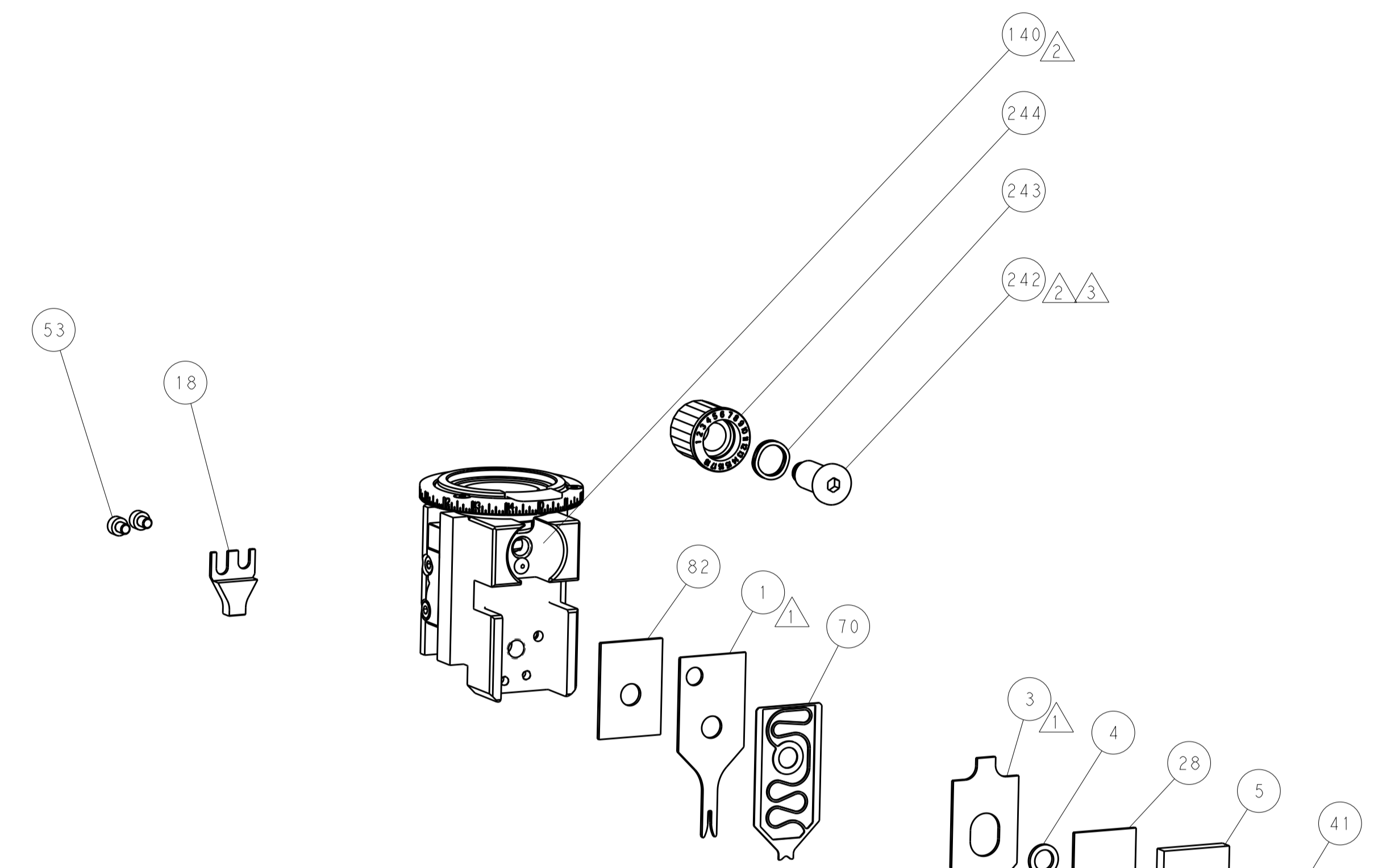
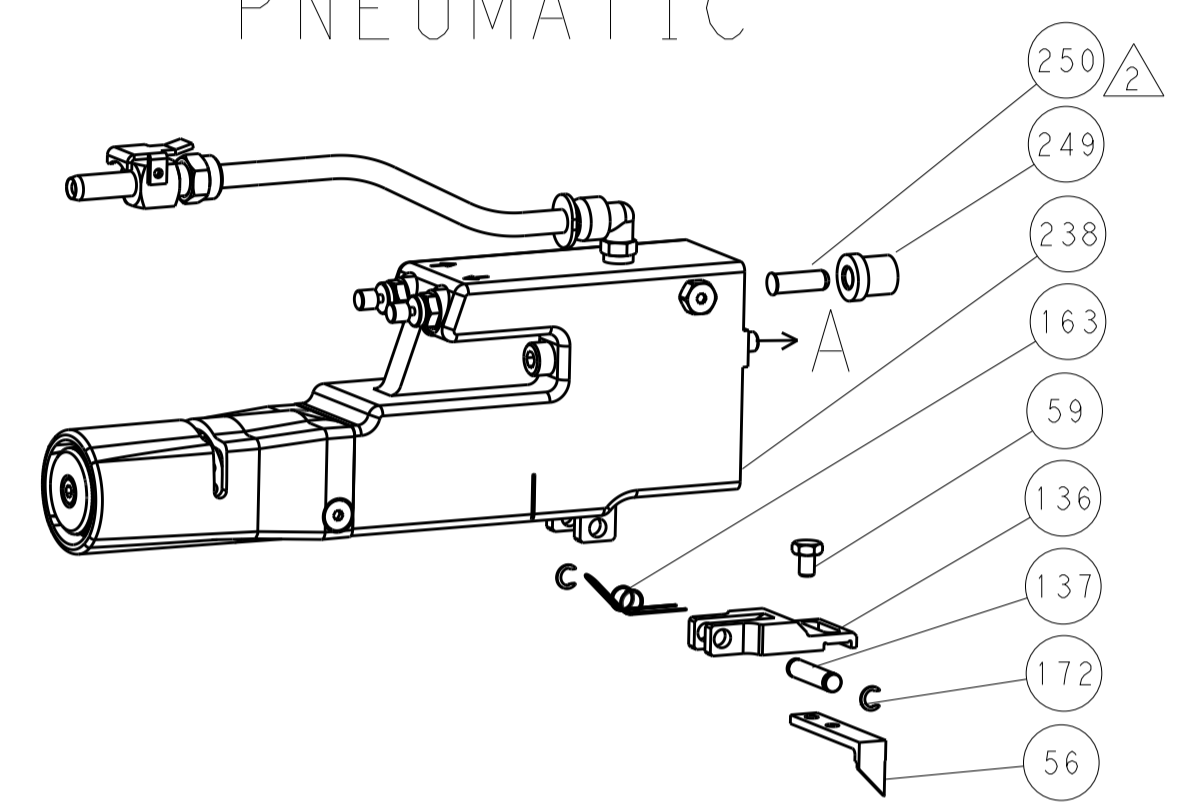
| | | | | | | | |
|------------------|---------|--|---------|-------------------------|---------|----------------------------------|--|
| DIMENSIONS: | | TOLERANCES UNLESS OTHERWISE SPECIFIED: | | DWN: R. HUANG 24OCT2012 | | TE Connectivity | |
| mm | 0 PLC ± | 1 PLC ± | 2 PLC ± | 3 PLC ± | 4 PLC ± | Harrisburg, PA 17105-3608 | |
| MATERIAL: | | FINISH: | | APVD: S. XI 24OCT2012 | | NAME: Ocean Side Feed Applicator | |
| CUSTOMER DRAWING | | SCALE: 1:2 | | SHEET 2 OF 4 | | REV D | |

| LOC | | DIST | | REVISIONS | | | |
|-----|----|------|-----|-------------|------|-----|------|
| A | 66 | P | LTM | DESCRIPTION | DATE | DWN | APVD |
| | | - | - | SEE SHEET 1 | - | - | - |

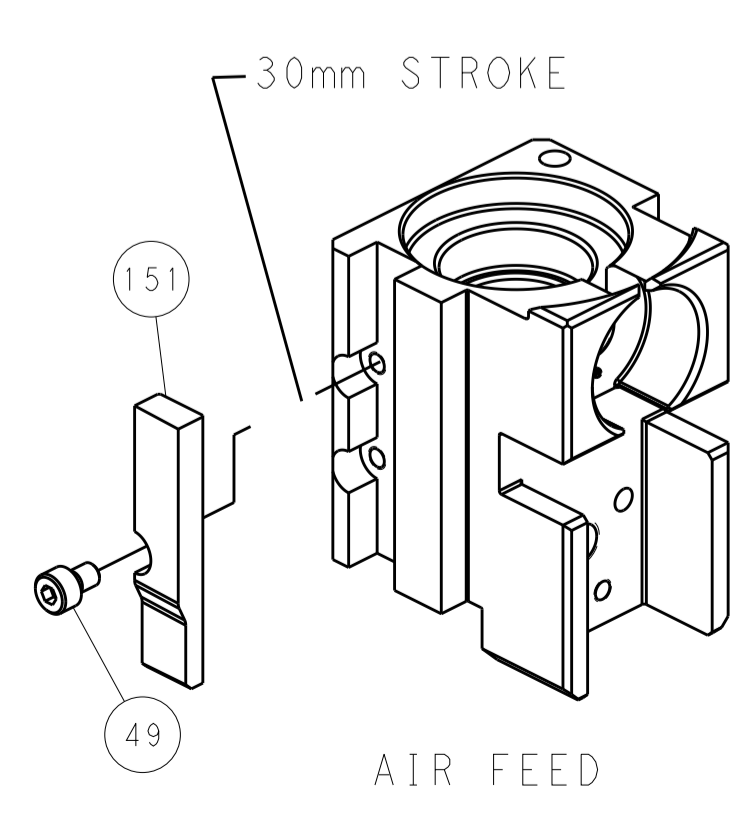
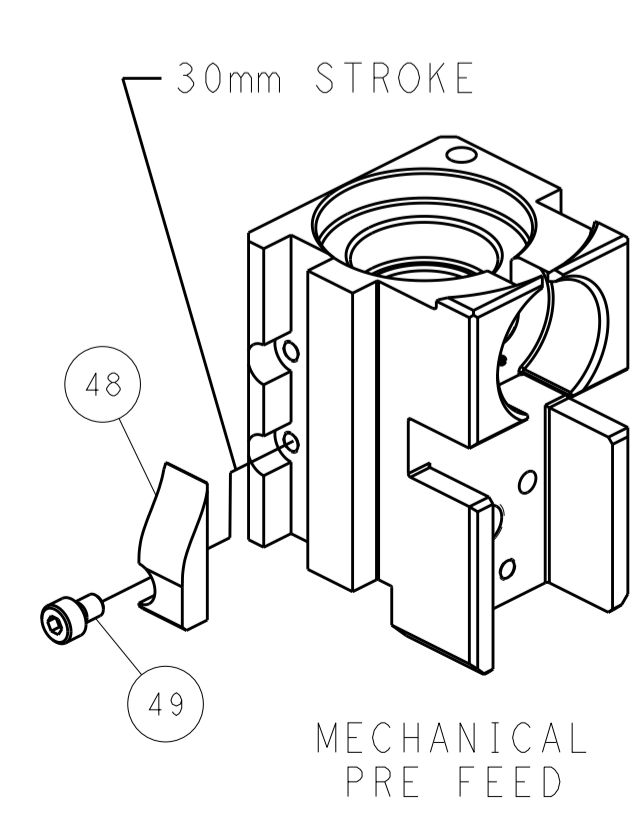
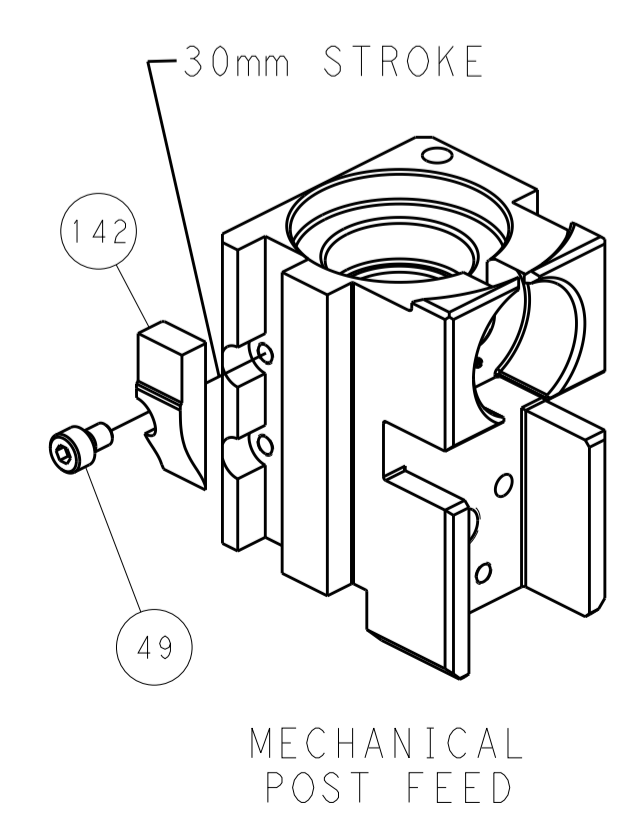
FEED TYPE MECHANICAL



PNEUMATIC



CAM POSITIONS



PACIFIC VERSION
 Shown on sheets 3 of 4 & 4 of 4
 (Atlantic version shown on sheets 1 of 4 & 2 of 4)

| | | | | | | | |
|-------------|---------|--|--|-------------------------|--|---|--|
| DIMENSIONS: | | TOLERANCES UNLESS OTHERWISE SPECIFIED: | | DWN: H. HUANG 24OCT2012 | | STE TE Connectivity Harrisburg, PA 17105-3608 | |
| mm | 0 PLC | ± | | CHK: S. XI 24OCT2012 | NAME: Ocean Side Feed Applicator | | |
| | 1 PLC | ± | | APVD: S. XI 24OCT2012 | SIZE: CAGE CODE: DRAWING NO: RESTRICTED TO | | |
| | 2 PLC | ± | | PRODUCT SPEC | A1 00779 ©=2151790 | | |
| | 3 PLC | ± | | APPLICATION SPEC | SCALE: 1:2 SHEET 4 OF 4 REV D | | |
| | 4 PLC | ± | | WEIGHT | CUSTOMER DRAWING | | |
| | ANGLES | ± | | | | | |
| MATERIAL: | FINISH: | | | | | | |

Mouser Electronics

Authorized Distributor

Click to View Pricing, Inventory, Delivery & Lifecycle Information:

[TE Connectivity:](#)

[7-2151790-7](#)