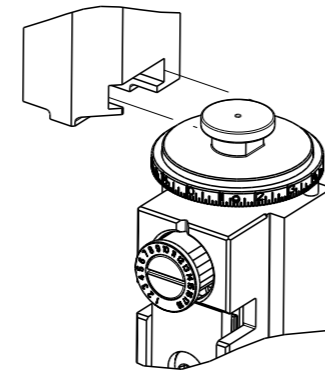


PART NUMBER	REVISION	DESCRIPTION	FEED TYPE
2150268-2	B	FINE CRIMP HEIGHT ADJUST	PNEUMATIC
7-2150268-2	B	PNEUMATIC AND CRIMP TOOLING KIT	PNEUMATIC
7-2150268-7	A	CRIMP TOOLING KIT	-

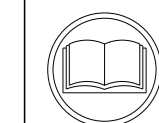
ATLANTIC VERSION TERMINATOR INTERFACE ADAPTER



APPLICATOR DATA		
CRIMP	SIZE	TYPE
WIRE	6.02 mm [.237]	D
INSUL	-	-
APPL INSTRUCTIONS 408-35043		

TERMINAL DATA: TE TERMINAL		TE CRIMP SPEC
TERMINAL NAME: RECPT, ULTRA-FAST FLAG, .187 SERIES		
WIRE STRIP LENGTH		INSULATION DIAMETER RANGE
7.51-8.33 mm [.296-.328 IN]		∅ .185 MAX
TERMINAL APPLICATION SPECIFICATION	114-2123	-
TERMINALS APPLIED		
TE TERMINAL	TE TERMINAL	TE TERMINAL
3-520338-2	6-520338-2	9-520340-2
5-520338-2	3-520340-2	

WIRE SIZE	CRIMP HEIGHT mm [INCH]	CRIMP HEIGHT REFERENCE SETTING	∅ SOLDER
14	1.905+/-0.05 [.075+/- .002]	4.8	.19 in [4.83mm]
16	1.778+/-0.05 [.070+/- .002]	6.0	.19 in [4.83mm]



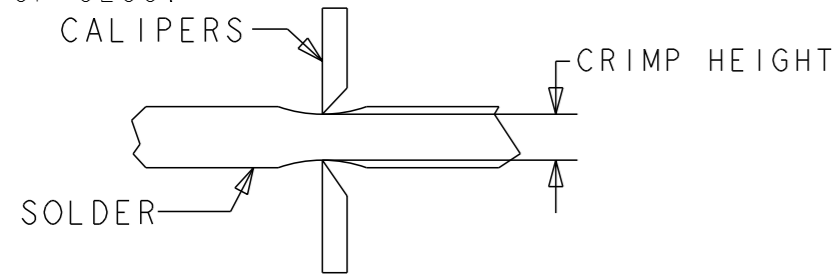
1 RECOMMENDED SPARE PARTS

2 REFER TO SUPPLIED INSTRUCTION SHEET FOR CLEANING, LUBRICATION AND STORAGE OF APPLICATOR.

3 CRIMP HEIGHT REFERENCE SETTING WAS THE SETTING USED WHEN THE APPLICATOR WAS QUALIFIED AT THE FACTORY. ADJUSTMENT MAY BE NECESSARY WHEN RUNNING APPLICATOR IN THE FIELD.

4 TERMINAL PITCH NOT COMPATIBLE WITH MECHANICAL FEED.

5 TO CHECK CRIMP HEIGHT, CRIMP SOLDER (∅.19 IN [4.83mm] 60/40 SOLID CORE) AND MEASURE AT CENTER OF SLUG.



6. UNLESS SPECIFIED OTHERWISE TORQUE VALUES SHALL BE USED PER DOCUMENT, 101-35000.

***WARNING**
ON INSTALLATION, SET WIRE DISC TO CRIMP HEIGHT REFERENCE SETTING FOR LARGEST WIRE SIZE. CRIMP HEIGHT REFERENCE SETTINGS GREATER THAN THE VALUE SHOWN MAY CAUSE DAMAGE TO THE CRIMP TOOLING, REFER TO THE INSTRUCTION SHEET FOR PROPER SETUP AND ADJUSTMENTS.

LOC	DIST	REVISIONS					
A	66	P	LY#	DESCRIPTION	DATE	OWN	APVD
		A		ORIGINAL	01OCT2012	BW	TE
		B		ECR-18-014670	15SEP2018	JAH	TE

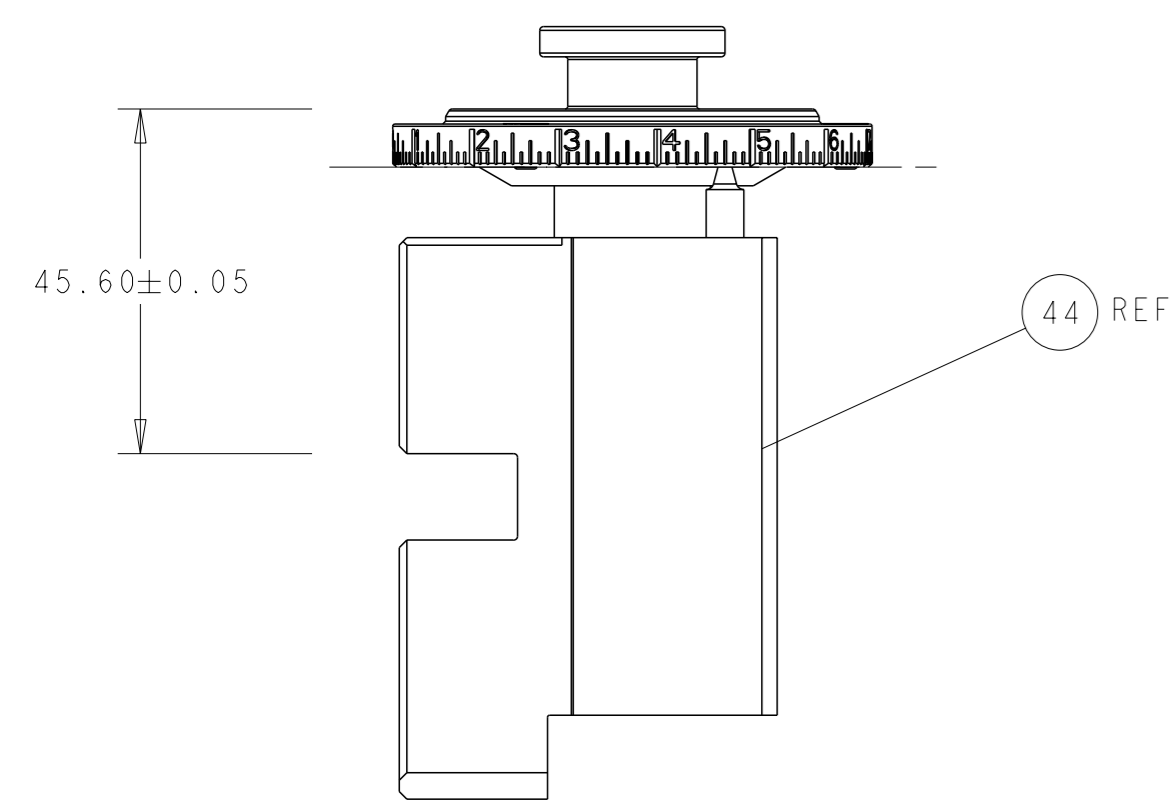
-	1	1	2119640-1	PUSH ROD, AIR FEED	250
-	1	1	2079988-1	BUSHING, LCH5-12, MISUMI	249
-	1	1	2119641-1	FEED CAM, AIR FEED	248
-	1	1	2063440-1	AIR FEED MODULE	238
-	1	1	467281-1	RETAINER, SHEAR, FLOATING	207
-	1	1	2161936-1	HOLDER, SHEAR, FLOATING	206
-	1	1	467500-1	SHEAR, FLOATING	205
-	1	1	1-18028-0	WASHER, FLAT, REG M8	192
-	2	2	21045-3	RING, RETAIN, EXTERN, 3/16 CRESCENT	172
-	REF	REF	994970-2	COUNTER, MAGNETIC	164
-	1	1	240638-1	SPRING, FEED FINGER	163
-	1	1	2161937-2	STABILIZER	154
-	1	1	3-23627-7	PIN, RETAIN, GRVD, 3/16 X .854	137
-	1	1	1803607-2	DOCUMENTATION PACKAGE	71
-	1	1	3-18032-3	SCR, SET, FLT PNT, M3 X 20.0	70
-	1	1	2-18032-2	SCR, SET, FLT PNT, M3 X 10.0	69
-	1	1	2119740-1	TAG, IDENTIFICATION	67
-	2	2	2168078-1	SCREW, DRIVE, RH, RoHS, 2 x .188	66
-	3	3	2168400-4	SHCS, LOW HEAD, RoHS, M4 X 8	60
-	4	4	2168400-1	SHCS, LOW HEAD, RoHS, M4 X 12	57
-	2	2	2168083-2	SCR, SKT HD CAP, RoHS, M4 X 8.0	56
-	2	2	5018030-1	NUT, HEX, REG, RoHS, M3	54
-	2	2	986965-8	NUT, LOCK, HEX, TORQUE (M4)	53
-	1	1	2161952-1	PAWL, EF, AIR	51
-	1	1	18023-9	SCR, SKT HD CAP M4 X 6.0	49
-	1	1	1-2119655-5	APPLICATOR BASIC ASSEMBLY, EF	46
-	1	1	1803517-1	RAM ASSEMBLY, EF ATLANTIC	44
-	1	1	1803602-1	SCR, BHSC, RoHS (M8 X 25)	41
-	2	2	5-22278-1	SPRING, COMPRESSION	36
-	8	8	1-18028-2	WASHER, FLAT, REG M4	33
-	2	2	2079383-4	SCR, BHSC, RoHS (M4 X 8)	31
-	2	2	2168083-2	SCR, SKT HD CAP, RoHS, M4 X 8.0	29
-	1	1	690455-3	STRIPPER, FRONT CASTING	27
-	2	2	1-2168083-6	SCR, SKT HD CAP, RoHS, M4 X 35	25
-	1	1	2161941-2	PLATE, GUIDE, STRIP	24
-	2	2	22281-9	SPRING, COMPRESSION	22
-	1	1	2161948-1	DRAG	20
-	1	1	683736-1	GUIDE, STRIP, REAR	19
-	1	1	683737-1	FRONT STRIP GUIDE	18
-	4	4	1-2079383-1	SCR, BHSC, RoHS (M6 X 12)	17
-	1	1	4-22280-7	SPRING, COMPRESSION	13
1	2	1	2161935-3	ANVIL, RIGHT HAND	8
-	1	1	2161957-1	DEPRESSOR, SHEAR	5
-	1	1	238011-2	BLOCK, CRIMPER SPACER	4
-	1	1	2161331-1	SPACER, WIRE FUNNEL DEPRESSOR	2
1	2	1	467342-4	CRIMPER, RIGHT HAND	1
-	77	72	-2	PART NO	ITEM NO

ATLANTIC VERSION
Shown on sheets 1 of 4 & 2 of 4
(Pacific version shown on sheets 3 of 4 & 4 of 4)

DIMENSIONS:		TOLERANCES UNLESS OTHERWISE SPECIFIED:		APPROVED:		NAME:	
mm	0 PLC ±	1 PLC ±	2 PLC ±	3 PLC ±	4 PLC ±	ANGLES	FINISH
MATERIAL		WEIGHT		SCALE		SHEET	
Customer Accessible Production Drawing		SCALE 1:1		SHEET 1 OF 4		REV B	

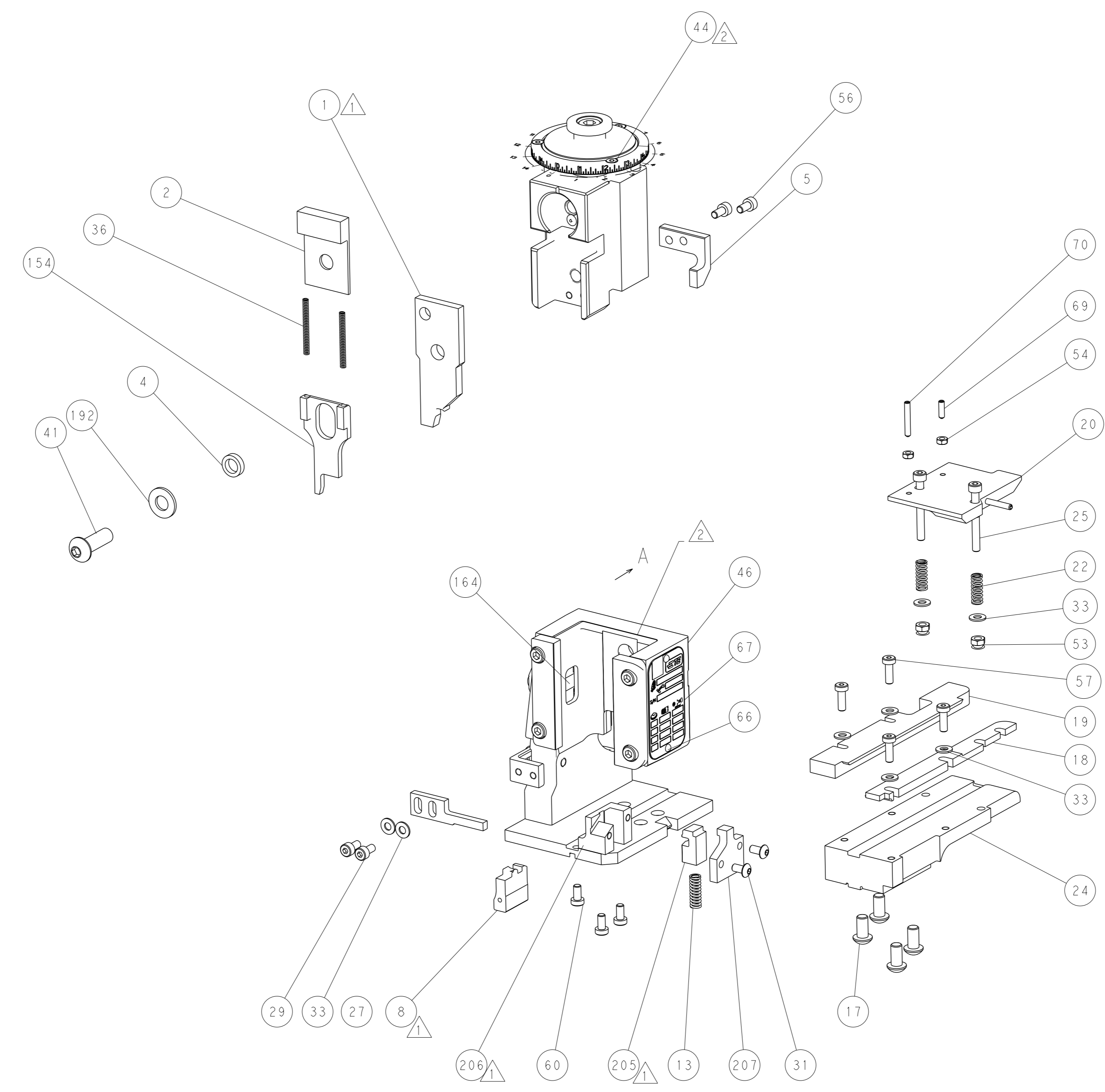
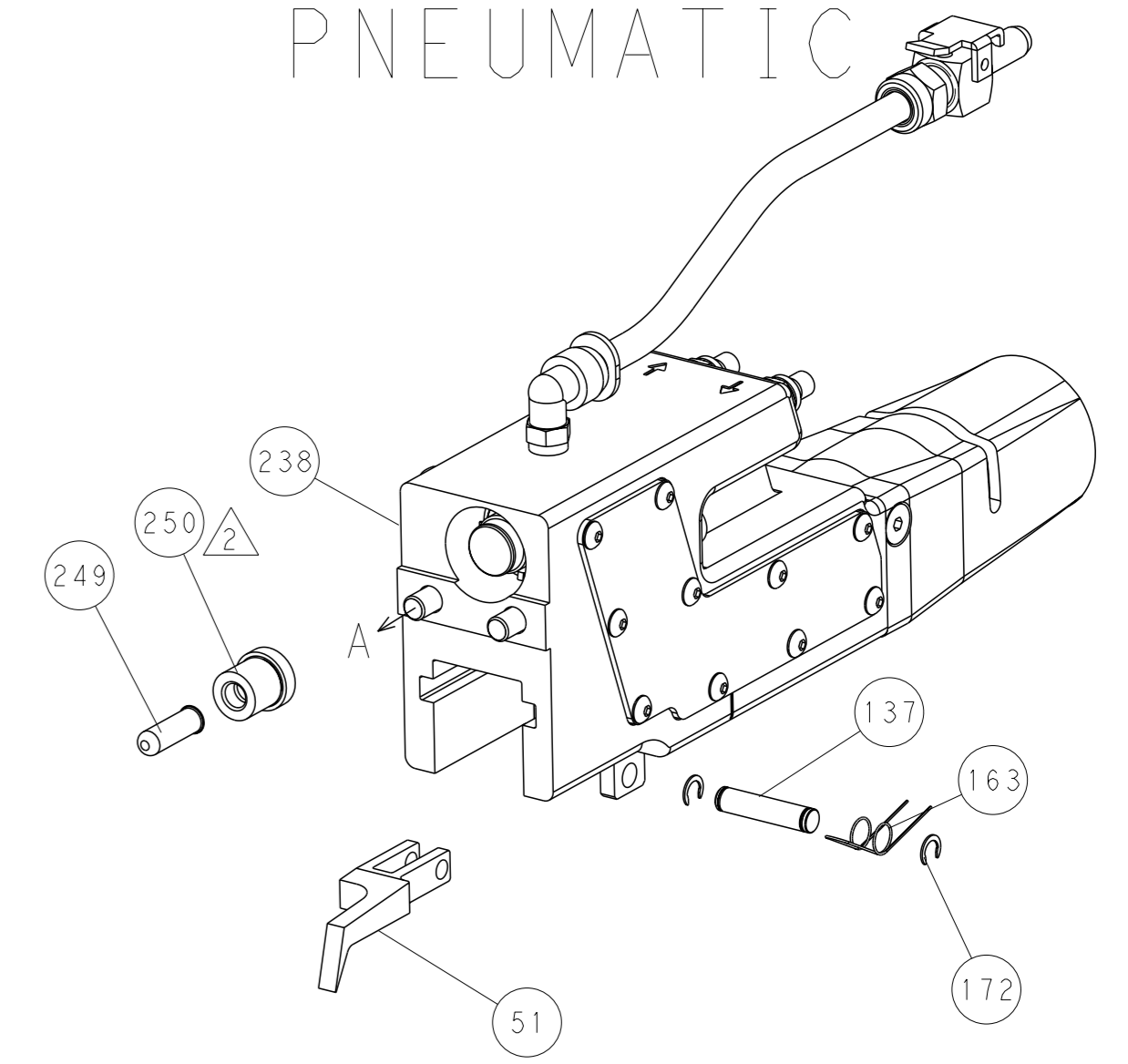
SHEETS 3 & 4 ARE NOT REQUIRED FOR ATLANTIC VERSION

LOC	DIST	REVISIONS			
		REV	DATE	BY	APPV
A	66	1	SEE SHEET 1		

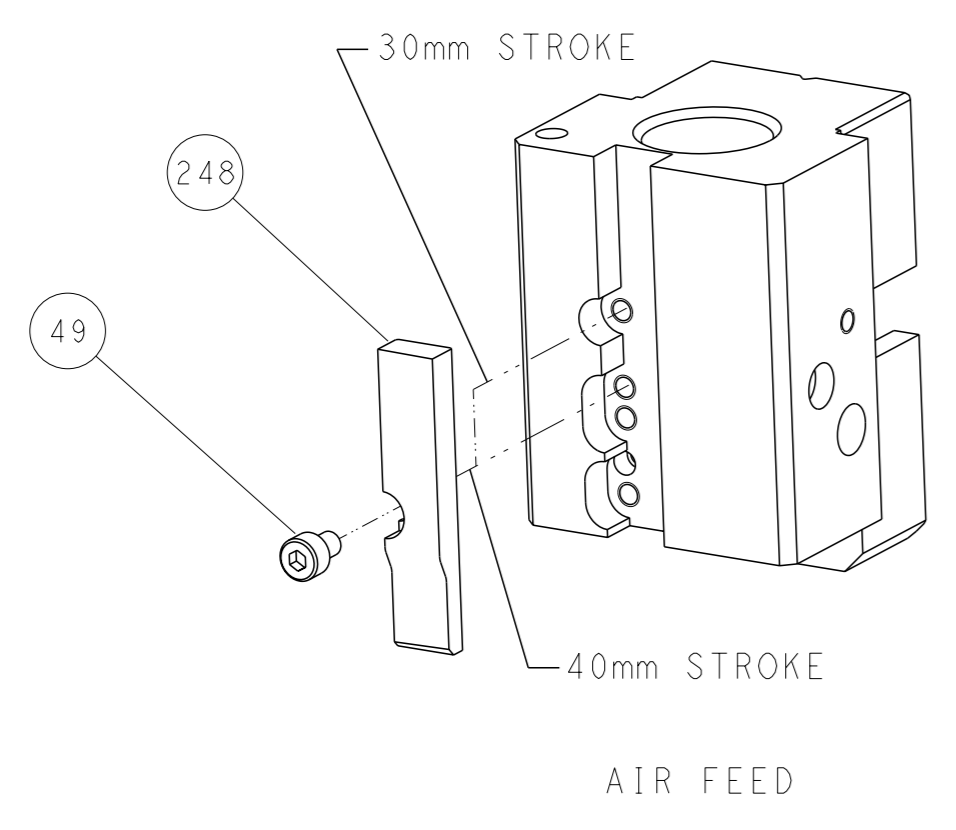


RAM SET-UP

FEED TYPE PNEUMATIC



CAM POSITION

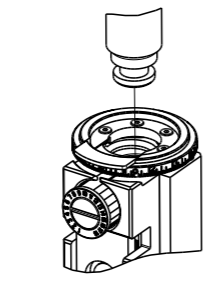


ATLANTIC VERSION
 Shown on sheets 1 of 4 & 2 of 4
 (Pacific version shown on sheets 3 of 4 & 4 of 4)

<small>THIS DRAWING IS A CONTROLLED DOCUMENT FOR TYCO ELECTRONICS CORPORATION. IT IS SUBJECT TO CHANGE AND TO CONTROLING ENGINEERING DISCRETION. SHOULD BE CONTACTED FOR THE LATEST REVISION.</small>		OWN: B. WEAVER 19JUN2012 CHK: T. ELBIN 19JUN2012 APVD: T. ELBIN 19JUN2012	TE Connectivity Harrisburg, PA 17105-3608
DIMENSIONS: mm 	TOLERANCES UNLESS OTHERWISE SPECIFIED: 0 PLC ± 1 PLC ± 2 PLC ± 3 PLC ± 4 PLC ± ANGLES ± FINISH ±	NAME: Ocean End Feed Applicator PRODUCT SPEC: APPLICATION SPEC: WEIGHT:	SIZE: A1 CAGE CODE: 00779 DRAWING NO: C=2150268 SCALE: 1:1 SHEET: 2 of 4 REV: B
MATERIAL:		Customer Accessible Production Drawing	

PART NUMBER	REVISION	DESCRIPTION	FEED TYPE
2-2150268-2	B	FINE CRIMP HEIGHT ADJUST	PNEUMATIC
7-2150268-7	A	CRIMP TOOLING KIT	-

PACIFIC VERSION TERMINATOR
 INTERFACE ADAPTER

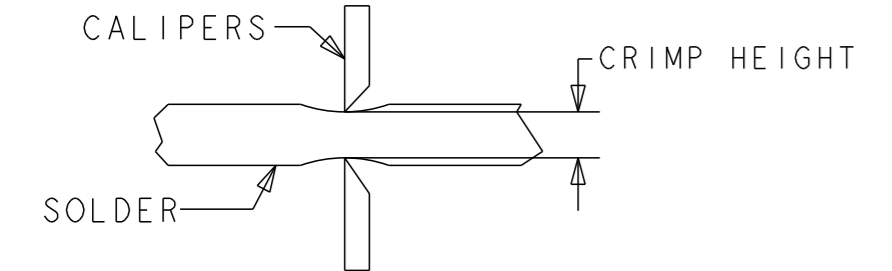


APPLICATOR DATA		
CRIMP	SIZE	TYPE
WIRE	6.02 mm [.237]	D
INSUL	-	-
APPL INSTRUCTIONS 408-35043		

TERMINAL DATA: TE TERMINAL		TE CRIMP SPEC
TERMINAL NAME: RECPT, ULTRA-FAST FLAG, .187 SERIES		
WIRE STRIP LENGTH 7.51-8.33 mm [.296-.328 IN]	INSULATION DIAMETER RANGE Ø .185 MAX	
TERMINAL APPLICATION SPECIFICATION 114-2123		
TERMINALS APPLIED		
TE TERMINAL	TE TERMINAL	TE TERMINAL
3-520338-2	6-520338-2	9-520340-2
5-520338-2	3-520340-2	

WIRE SIZE	CRIMP HEIGHT mm [INCH]	CRIMP HEIGHT REFERENCE SETTING	Ø SOLDER
14	1.905+/-0.05 [.075+/- .002]	4.8	.19 in [4.83mm]
16	1.778+/-0.05 [.070+/- .002]	6.0	.19 in [4.83mm]

- 1 RECOMMENDED SPARE PARTS
- 2 REFER TO SUPPLIED INSTRUCTION SHEET FOR CLEANING, LUBRICATION AND STORAGE OF APPLICATOR.
- 3 CRIMP HEIGHT REFERENCE SETTING WAS THE SETTING USED WHEN THE APPLICATOR WAS QUALIFIED AT THE FACTORY. ADJUSTMENT MAY BE NECESSARY WHEN RUNNING APPLICATOR IN THE FIELD.
- 4 TERMINAL PITCH NOT COMPATIBLE WITH MECHANICAL FEED.
- 5 TO CHECK CRIMP HEIGHT, CRIMP SOLDER (Ø.19 IN [4.83mm] 60/40 SOLID CORE) AND MEASURE AT CENTER OF SLUG.



6. UNLESS SPECIFIED OTHERWISE TORQUE VALUES SHALL BE USED PER DOCUMENT, 101-35000.

***WARNING**
 ON INSTALLATION, SET WIRE DISC TO CRIMP HEIGHT REFERENCE SETTING FOR LARGEST WIRE SIZE. CRIMP HEIGHT REFERENCE SETTINGS GREATER THAN THE VALUE SHOWN MAY CAUSE DAMAGE TO THE CRIMP TOOLING, REFER TO THE INSTRUCTION SHEET FOR PROPER SETUP AND ADJUSTMENTS.

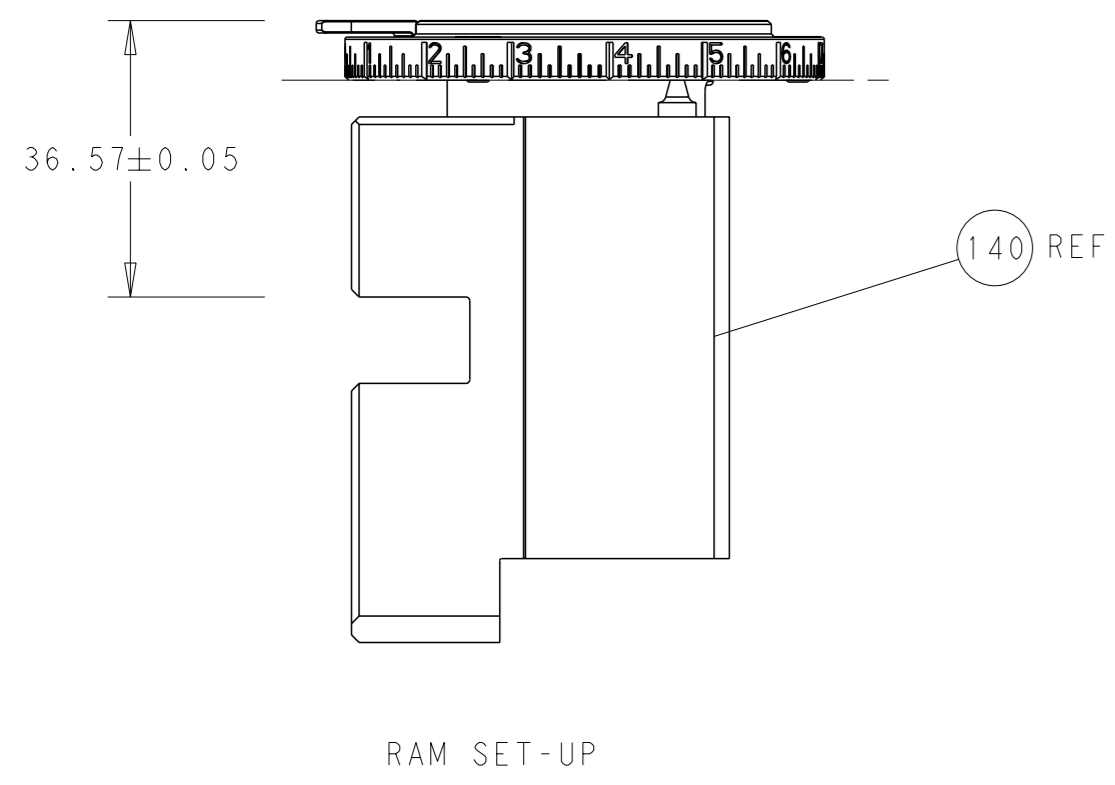
LOC	DIST	REVISIONS					
A	66	P	LY#	DESCRIPTION	DATE	OWN	APVD
		-		SEE SHEET 1		-	-

-	1	2119640-1	PUSH ROD, AIR FEED	250
-	1	2079988-1	BUSHING, LCH5-12, MISUMI	249
-	1	2063440-1	AIR FEED MODULE	238
-	1	467281-1	RETAINER, SHEAR, FLOATING	207
-	1	2161936-1	HOLDER, SHEAR, FLOATING	206
-	1	467500-1	SHEAR, FLOATING	205
-	1	1-18028-0	WASHER, FLAT, REG M8	192
-	4	2079383-9	SCR, BHSC, RoHS (M6 X 20)	186
-	2	21045-3	RING, RETAIN, EXTERN, 3/16 CRESCENT	172
-	REF	994970-2	COUNTER, MAGNETIC	164
-	1	240638-1	SPRING, FEED FINGER	163
-	1	2161937-2	STABILIZER	154
-	1	2119641-2	FEED CAM, AIR FEED	152
-	3	2168400-5	SHCS, LOW HEAD, RoHS, M4 X 20	144
-	1	1-2119655-6	APPLICATOR BASIC ASSEMBLY, EF	141
-	1	1803518-1	RAM ASSEMBLY, EF PACIFIC	140
-	1	3-23627-7	PIN, RETAIN, GRVD, 3/16 X .854	137
-	1	1803607-2	DOCUMENTATION PACKAGE	71
-	1	3-18032-3	SCR, SET, FLT PNT, M3 X 20.0	70
-	1	2-18032-2	SCR, SET, FLT PNT, M3 X 10.0	69
-	1	2119740-1	TAG, IDENTIFICATION	67
-	2	2168078-1	SCREW, DRIVE, RH, RoHS, 2 x .188	66
-	4	2168400-1	SHCS, LOW HEAD, RoHS, M4 X 12	57
-	2	2168083-2	SCR, SKT HD CAP, RoHS, M4 X 8.0	56
-	2	5018030-1	NUT, HEX, REG, RoHS, M3	54
-	2	986965-8	NUT, LOCK, HEX, TORQUE (M4)	53
-	1	2161952-1	PAWL, EF, AIR	51
-	1	18023-9	SCR, SKT HD CAP M4 X 6.0	49
-	1	1803602-1	SCR, BHSC, RoHS (M8 X 25)	41
-	2	5-22278-1	SPRING, COMPRESSION	36
-	8	1-18028-2	WASHER, FLAT, REG M4	33
-	2	2079383-4	SCR, BHSC, RoHS (M4 X 8)	31
-	2	2168083-2	SCR, SKT HD CAP, RoHS, M4 X 8.0	29
-	1	690455-3	STRIPPER, FRONT CASTING	27
-	2	1-2168083-6	SCR, SKT HD CAP, RoHS, M4 X 35	25
-	1	2161941-2	PLATE, GUIDE, STRIP	24
-	2	22281-9	SPRING, COMPRESSION	22
-	1	2161948-1	DRAG	20
-	1	683736-1	GUIDE, STRIP, REAR	19
-	1	683737-1	FRONT STRIP GUIDE	18
-	1	4-22280-7	SPRING, COMPRESSION	13
1	1	2161935-3	ANVIL, RIGHT HAND	8
-	1	2161957-1	DEPRESSOR, SHEAR	5
-	1	238011-2	BLOCK, CRIMPER SPACER	4
-	1	2161331-1	SPACER, WIRE FUNNEL DEPRESSOR	2
1	1	467342-4	CRIMPER, RIGHT HAND	1

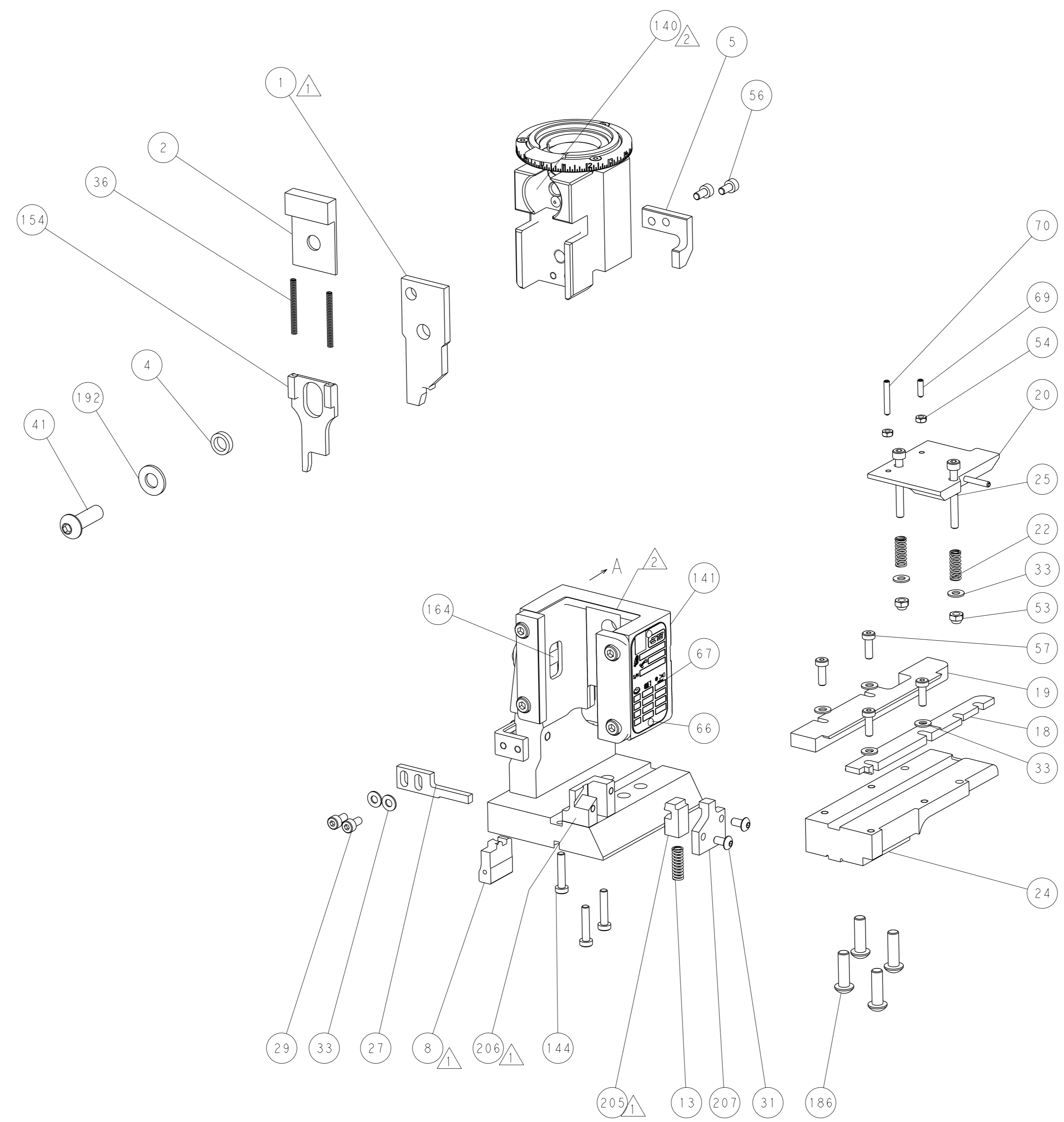
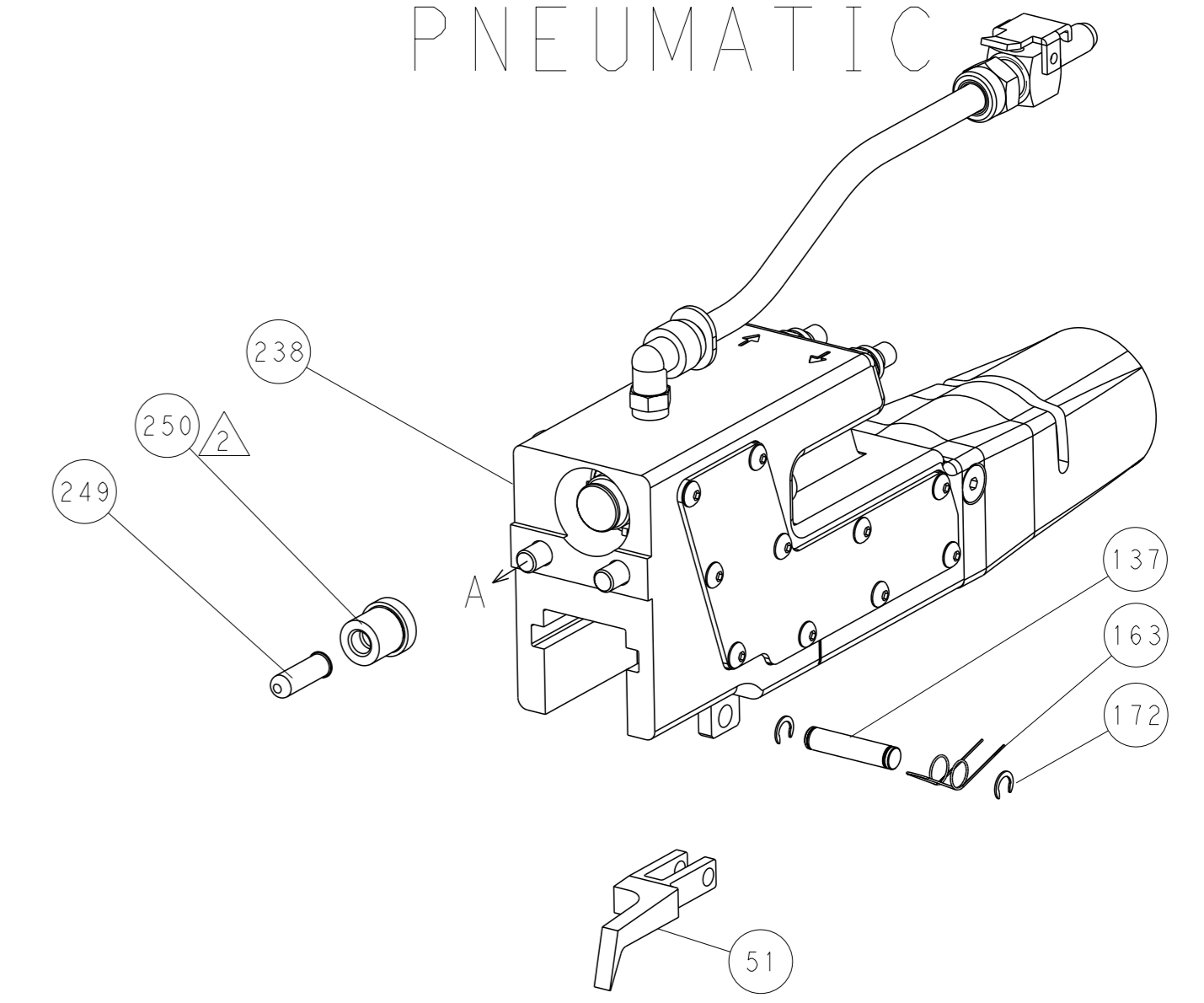
PACIFIC VERSION
 Shown on sheets 3 of 4 & 4 of 4
 (Atlantic version shown on sheets 1 of 4 & 2 of 4)

DIMENSIONS: mm 0 PLC ± 1 PLC ± 2 PLC ± 3 PLC ± 4 PLC ± ANGLES FINISH ±		TOLERANCES UNLESS OTHERWISE SPECIFIED: 0 PLC ± 1 PLC ± 2 PLC ± 3 PLC ± 4 PLC ± ANGLES FINISH ±		OWN: B. WEAVER 19JUN2012 CHK: T. ELBIN 19JUN2012 APVD: T. ELBIN 19JUN2012 NAME: Ocean End Feed Applicator SIZE: A1 CAGE CODE: 00779 DRAWING NO: 2150268 SCALE: 1:1 SHEET: 3 of 4 REV: B	
--	--	--	--	--	--

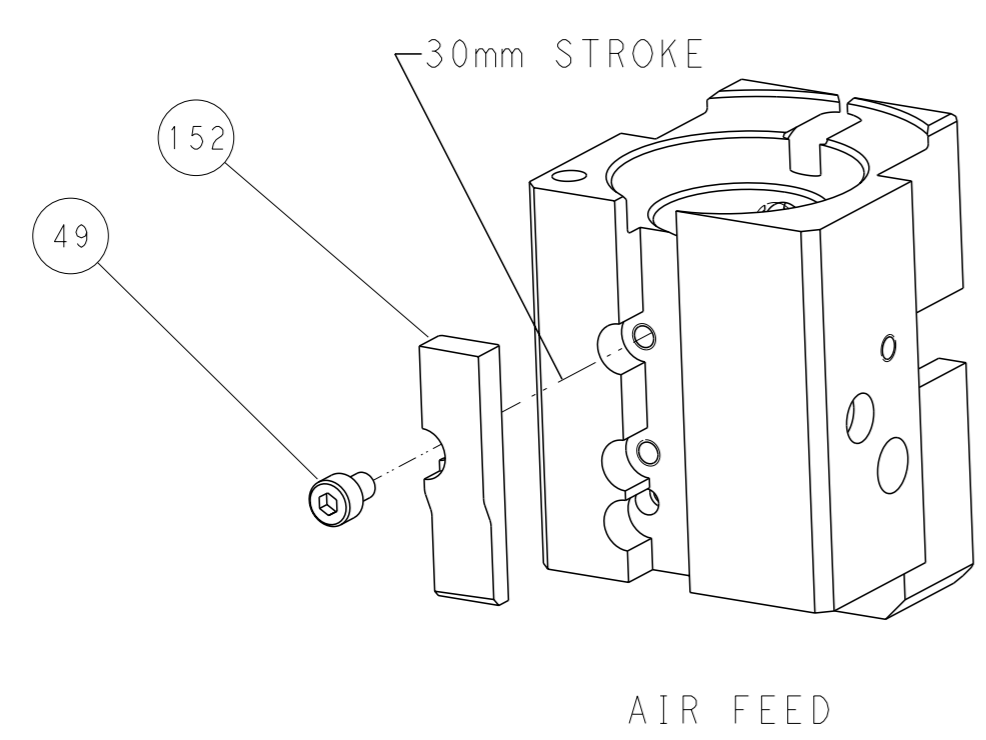
LOC		DIST		REVISIONS			
A	66	P	LYR	DESCRIPTION	DATE	OWN	APVD
		-		SEE SHEET 1			



FEED TYPE
 PNEUMATIC



CAM POSITION



PACIFIC VERSION
 Shown on sheets 3 of 4 & 4 of 4
 (Atlantic version shown on sheets 1 of 4 & 2 of 4)

<small>THIS DRAWING IS A CONTROLLED DOCUMENT FOR TYCO ELECTRONICS CORPORATION. IT IS SUBJECT TO CHANGE AND THE CONTROLLING ENGINEERING ORGANIZATION SHOULD BE CONTACTED FOR THE LATEST REVISION.</small>		OWN: B. WEAVER 19JUN2012 CHK: T. ELBIN 19JUN2012 APVD: T. ELBIN 19JUN2012	NAME: TE Connectivity Harrisburg, PA 17105-3608
DIMENSIONS: mm TOLERANCES UNLESS OTHERWISE SPECIFIED: 0 PLC ± 1 PLC ± 2 PLC ± 3 PLC ± 4 PLC ± ANGLES FINISH *	APPLICATION SPEC WEIGHT SCALE: 1:1	SIZE: A1 CAGE CODE: 00779 DRAWING NO: C=2150268	RESTRICTED TO: B SHEET 4 OF 4 REV B

Mouser Electronics

Authorized Distributor

Click to View Pricing, Inventory, Delivery & Lifecycle Information:

[TE Connectivity:](#)

[7-2150268-7](#)