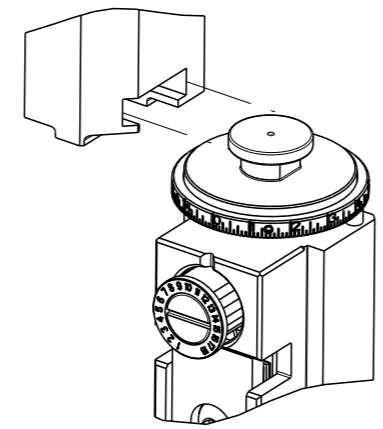


| PART NUMBER | REVISION | DESCRIPTION | FEED TYPE |
|-------------|----------|---------------------------------|-----------|
| 2150129-2 | B | FINE CRIMP HEIGHT ADJUST | PNEUMATIC |
| 7-2150129-2 | B | PNEUMATIC AND CRIMP TOOLING KIT | PNEUMATIC |
| 7-2150129-7 | A | CRIMP TOOLING KIT | - |

ATLANTIC VERSION TERMINATOR INTERFACE ADAPTER



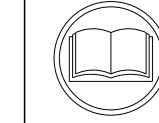
| APPLICATOR DATA | | |
|--------------------------------|----------------|------|
| CRIMP | SIZE | TYPE |
| WIRE | 2.79 mm [.110] | F |
| INSUL | 4.57 mm [.180] | O |
| APPL INSTRUCTIONS 408-35043 | | |

| TERMINAL DATA: TE TERMINAL | | TE CRIMP SPECIFICATION | |
|--|-------------|------------------------------|-------------|
| TERMINAL NAME: .250 SERIES FASTON FLAG | | | |
| WIRE STRIP LENGTH | | INSULATION DIAMETER RANGE | |
| 4.39-5.15 mm [.173-.203 IN] | | ∅2.79-5.08 mm [.110-.200 IN] | |
| TERMINAL APPLICATION SPECIFICATION | 114-2079 | - | - |
| TERMINALS APPLIED | | | |
| TE TERMINAL | TE TERMINAL | TE TERMINAL | TE TERMINAL |
| 63538-1 | 63538-3 | 63963-1 | |

| TERMINAL DATA: TE TERMINAL | | TE CRIMP SPECIFICATION | |
|--|-------------|------------------------------|-------------|
| TERMINAL NAME: .250 SERIES FASTON FLAG | | | |
| WIRE STRIP LENGTH | | INSULATION DIAMETER RANGE | |
| 4.39-5.15 mm [.173-.203 IN] | | ∅2.79-4.06 mm [.110-.160 IN] | |
| TERMINAL APPLICATION SPECIFICATION | 114-2079 | - | - |
| TERMINALS APPLIED | | | |
| TE TERMINAL | TE TERMINAL | TE TERMINAL | TE TERMINAL |
| 62811-1 | 62811-2 | | |

| WIRE SIZE | CRIMP HEIGHT mm [INCH] | CRIMP HEIGHT REFERENCE SETTING |
|------------|----------------------------|--------------------------------|
| 14 AWG | 1.96+/-0.05 [.077+/- .002] | 3.7 |
| (2) 18 AWG | 1.80+/-0.05 [.071+/- .002] | 5.6 |
| 16 AWG | 1.73+/-0.05 [.068+/- .002] | 6.0 |
| 18 AWG | 1.57+/-0.05 [.062+/- .002] | 7.8 |

| WIRE SIZE | CRIMP HEIGHT mm [INCH] | CRIMP HEIGHT REFERENCE SETTING |
|------------|----------------------------|--------------------------------|
| 14 AWG | 1.96+/-0.05 [.077+/- .002] | 3.7 |
| (2) 18 AWG | 1.80+/-0.05 [.071+/- .002] | 5.6 |
| 16 AWG | 1.73+/-0.05 [.068+/- .002] | 6.0 |
| 18 AWG | 1.57+/-0.05 [.062+/- .002] | 7.8 |



- RECOMMENDED SPARE PARTS
- REFER TO SUPPLIED INSTRUCTION SHEET FOR CLEANING, LUBRICATION AND STORAGE OF APPLICATOR.
- APPLY PART NUMBER 2-23419-6 LOCTITE TO THREADS OF ITEM 242.
- CRIMP HEIGHT REFERENCE SETTING WAS THE SETTING USED WHEN THE APPLICATOR WAS QUALIFIED AT THE FACTORY. ADJUSTMENT MAY BE NECESSARY WHEN RUNNING APPLICATOR IN THE FIELD.
- TERMINAL PITCH NOT COMPATIBLE WITH MECHANICAL FEED.
- TERMINAL LUBRICANT IS RECOMMENDED.

***WARNING**
ON INSTALLATION, SET WIRE DISC TO CRIMP HEIGHT REFERENCE SETTING FOR LARGEST WIRE SIZE. CRIMP HEIGHT REFERENCE SETTINGS GREATER THAN THE VALUE SHOWN MAY CAUSE DAMAGE TO THE CRIMP TOOLING, REFER TO THE INSTRUCTION SHEET FOR PROPER SETUP AND ADJUSTMENTS.

| LOC | DIST | REVISIONS | | | | | |
|-----|------|-----------|-----|---------------|-----------|-----|------|
| A | 66 | P | LY# | DESCRIPTION | DATE | OWN | APVD |
| | | A | | RELEASED | 05MAY2015 | BW | TE |
| | | B | | ECR-18-014814 | 18SEP2018 | JAH | TE |

| | | | | | |
|---|-----|-----|-------------|-------------------------------------|---------|
| - | 1 | 1 | 2119640-1 | PUSH ROD, AIR FEED | 250 |
| - | 1 | 1 | 1803259-1 | BUSHING, FLANGED | 249 |
| - | 1 | 1 | 2119641-1 | FEED CAM, AIR FEED | 248 |
| - | 1 | 1 | 2119082-9 | CAM, SNAIL, INSULATION ADJUSTMENT | 244 |
| - | 1 | 1 | 2079764-1 | WASHER, WAVE SPRING, CREST-TO-CREST | 243 |
| - | 1 | 1 | 2119083-1 | RETAINER, INSULATION DIAL | 242 |
| - | 1 | 1 | 2063440-1 | AIR FEED MODULE | 238 |
| - | 1 | 1 | 1-18028-0 | WASHER, FLAT, REG M8 | 192 |
| - | 2 | 2 | 1-2168083-1 | SCR, SKT HD CAP, RoHS, M3 X 6 | 191 |
| - | 2 | 2 | 21045-3 | RING, RETAIN, EXTERN, 3/16 CRESCENT | 172 |
| - | REF | REF | 994970-2 | COUNTER, MAGNETIC | 164 |
| - | 1 | 1 | 240638-1 | SPRING, FEED FINGER | 163 |
| - | 1 | 1 | 3-23627-7 | PIN, RETAIN, GRVD, 3/16 X .854 | 137 |
| - | 1 | 1 | 2119955-2 | ASSY, LUBRICATOR, END FEED | 84 |
| - | 1 | 1 | 455888-6 | SPACER, CRIMPER | 82 |
| - | 1 | 1 | 1803607-2 | DOCUMENTATION PACKAGE | 71 |
| - | 2 | 2 | 3-18032-3 | SCR, SET, FLT PNT, M3 X 20.0 | 70 |
| - | 1 | 1 | 2119740-1 | TAG, IDENTIFICATION | 67 |
| - | 2 | 2 | 2168078-1 | SCREW, DRIVE, RH, RoHS, 2 x .188 | 66 |
| - | 1 | 1 | 2168083-2 | SCR, SKT HD CAP, RoHS, M4 X 8.0 | 60 |
| - | 4 | 4 | 2168400-1 | SHCS, LOW HEAD, RoHS, M4 X 12 | 57 |
| - | 2 | 2 | 2168083-2 | SCR, SKT HD CAP, RoHS, M4 X 8.0 | 56 |
| - | 2 | 2 | 5018030-1 | NUT, HEX, REG, RoHS, M3 | 54 |
| - | 2 | 2 | 986965-8 | NUT, LOCK, HEX, TORQUE (M4) | 53 |
| - | 1 | 1 | 2119792-9 | PAWL, EF, AIR | 51 |
| - | 1 | 1 | 18023-9 | SCR, SKT HD CAP M4 X 6.0 | 49 |
| - | 1 | 1 | 2119655-5 | APPLICATOR BASIC ASSEMBLY, EF | 46 |
| - | 1 | 1 | 1803517-1 | RAM ASSEMBLY, EF ATLANTIC | 44 |
| - | 1 | 1 | 1803602-1 | SCR, BHSC, RoHS (M8 X 25) | 41 |
| - | 8 | 8 | 1-18028-2 | WASHER, FLAT, REG M4 | 33 |
| - | 2 | 2 | 1-2168083-2 | SCR, SKT HD CAP, RoHS, M4 X 25 | 31 |
| - | 2 | 2 | 2168083-2 | SCR, SKT HD CAP, RoHS, M4 X 8.0 | 29 |
| - | 1 | 1 | 468281-1 | STRIPPER | 27 |
| - | 2 | 2 | 1-2168083-6 | SCR, SKT HD CAP, RoHS, M4 X 35 | 25 |
| - | 1 | 1 | 2161922-4 | PLATE, STRIP GUIDE | 24 |
| - | 2 | 2 | 22281-6 | SPRING, COMPRESSION | 22 |
| - | 1 | 1 | 1633168-2 | ARM, STOCK DRAG | 21 |
| - | 1 | 1 | 464452-4 | DRAG, STOCK | 20 |
| - | 1 | 1 | 3-1901696-2 | STRIP GUIDE, REAR | 19 |
| - | 1 | 1 | 1-1901259-1 | GUIDE, LOWER STRIP | 18 |
| - | 4 | 4 | 1-2079383-1 | SCR, BHSC, RoHS (M6 X 12) | 17 |
| - | 1 | 1 | 469633-1 | BLOCK, SUPPORT | 14 |
| - | 1 | 1 | 461160-1 | PLATE, REAR SHEAR | 11 |
| - | 2 | 2 | 5-240645-2 | SPACER, SHEAR PLATE | 10 |
| - | 1 | 1 | 455961-3 | PLATE, FRONT SHEAR | 9 |
| - | 1 | 2 | 1-1803000-0 | ANVIL, COMBINATION, END FEED | 8 |
| - | 1 | 1 | 1-469634-9 | BLADE, SLUG | 7 |
| - | - | - | - | - | 6 |
| - | 1 | 1 | 238011-2 | BLOCK, CRIMPER SPACER | 4 |
| - | 1 | 2 | 1803229-1 | CRIMPER, INSULATION O PREMIUM | 3 |
| - | 1 | 1 | 1-455888-8 | SPACER, CRIMPER | 2 |
| - | 1 | 2 | 2-464112-4 | CRIMPER, WIRE | 1 |
| - | 77 | 72 | 2 | PART NO | ITEM NO |

ATLANTIC VERSION
Shown on sheets 1 of 4 & 2 of 4
(Pacific version shown on sheets 3 of 4 & 4 of 4)

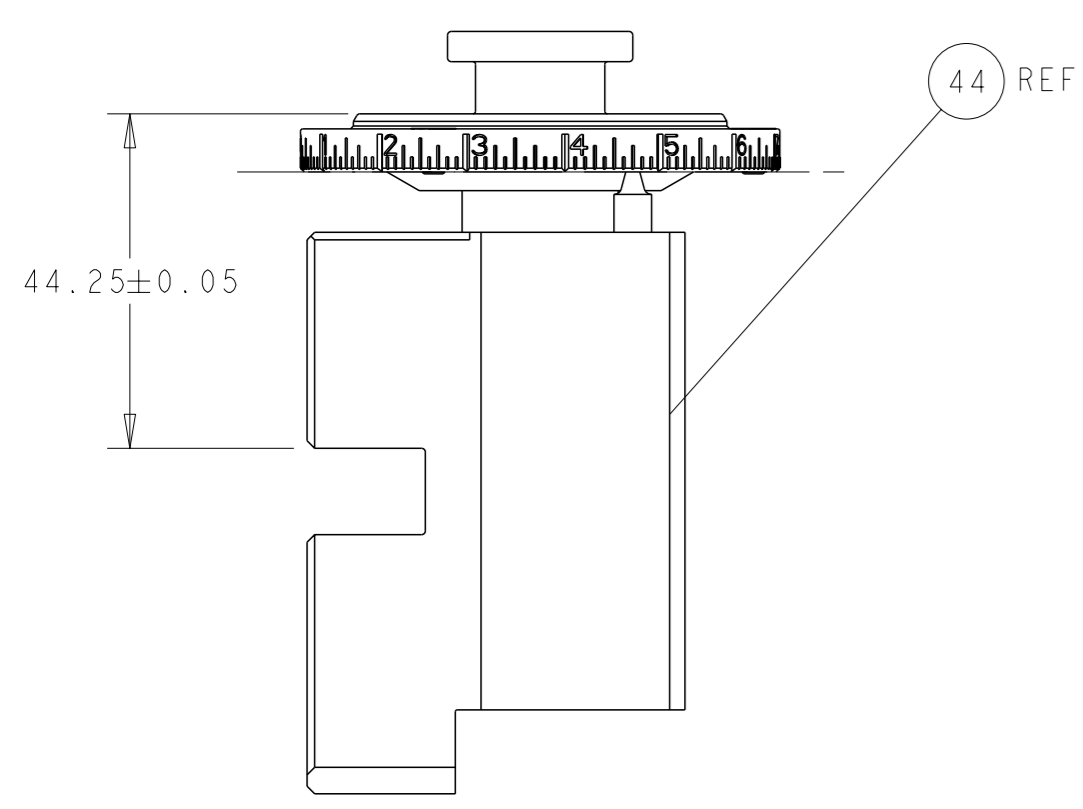
| DIMENSIONS: | | TOLERANCES UNLESS OTHERWISE SPECIFIED: | | MATERIAL: | |
|--|---------|--|---------|-----------|---------|
| mm | 0 PLC ± | 1 PLC ± | 2 PLC ± | 3 PLC ± | 4 PLC ± |
| | ANGLES | FINISH | | | |
| Customer Accessible Production Drawing | | SCALE | 1:1 | SHEET | 1 of 4 |



Ocean End Feed Applicator

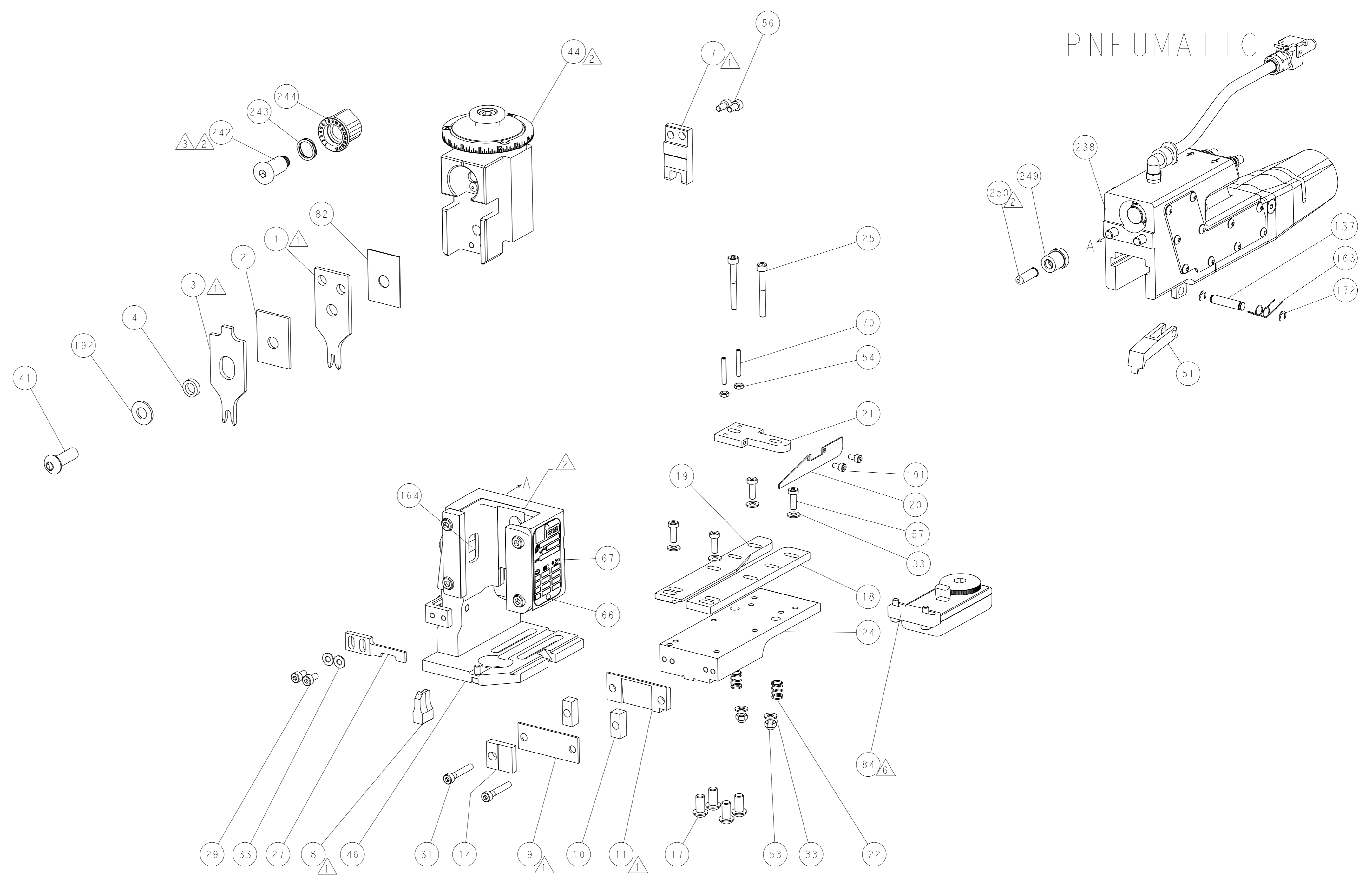
SIZE: A1 CAGE CODE: 00779 DRAWING NO: 2150129

| LOC | DIST | REVISIONS | | | | | |
|-----|------|-----------|-----|-------------|------|-----|------|
| A | 66 | P | LYR | DESCRIPTION | DATE | OWN | APVD |
| | | - | | SEE SHEET 1 | - | - | - |

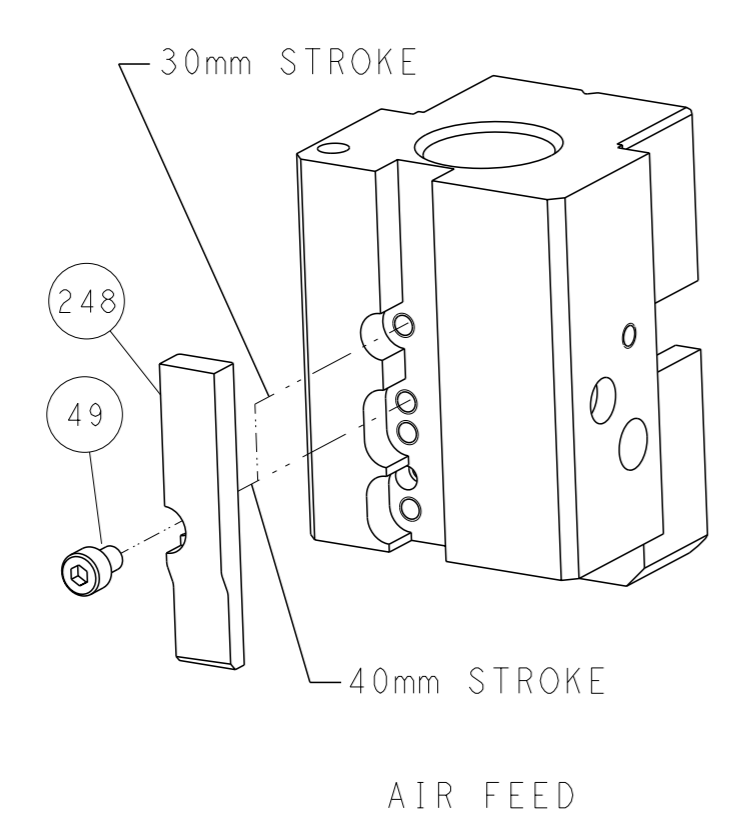


RAM SET-UP

FEED TYPE
 PNEUMATIC



CAM POSITIONS

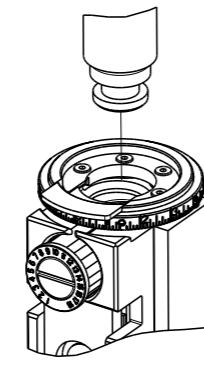


ATLANTIC VERSION
 Shown on sheets 1 of 4 & 2 of 4
 (Pacific version shown on sheets 3 of 4 & 4 of 4)

| | | | | | |
|---|--|---|---|---|------------------|
| <small>THIS DRAWING IS A CONTROLLED DOCUMENT FOR TYCO ELECTRONICS CORPORATION. IT IS SUBJECT TO CHANGE AND TO CONTROLING ENGINEERING DISCRETION. SHOULD BE CONTACTED FOR THE LATEST REVISION.</small> | | OWN: B. WEAVER CHK: T. ELBIN APVD: T. ELBIN PRODUCT SPEC: - APPLICATION SPEC: - WEIGHT: - MATERIAL: - | 03MAR2015 03MAR2015 03MAR2015 - - - - | NAME: Ocean End Feed Applicator SIZE: A1 CAGE CODE: 00779 DRAWING NO: C=2150129 SCALE: 1:1 SHEET: 2 of 4 REV: B | RESTRICTED TO: - |
| DIMENSIONS: mm TOLERANCES UNLESS OTHERWISE SPECIFIED: 0 PLC ± 1 PLC ± 2 PLC ± 3 PLC ± 4 PLC ± ANGLES FINISH ± | | TE Connectivity Harrisburg, PA 17105-3608 | | | |

| THIS DRAWING IS UNPUBLISHED. | RELEASED FOR PUBLICATION | 2015 | |
|--|--------------------------|--------------------------|-----------|
| COPYRIGHT 2015 BY TYCO ELECTRONICS CORPORATION. ALL RIGHTS RESERVED. | | | |
| PART NUMBER | REVISION | DESCRIPTION | FEED TYPE |
| 2-2150129-2 | B | FINE CRIMP HEIGHT ADJUST | PNEUMATIC |
| 7-2150129-7 | A | CRIMP TOOLING KIT | - |

PACIFIC VERSION TERMINATOR
INTERFACE ADAPTER



| APPLICATOR DATA | | |
|--------------------------------|----------------|------|
| CRIMP | SIZE | TYPE |
| WIRE | 2.79 mm [.110] | F |
| INSUL | 4.57 mm [.180] | O |
| APPL INSTRUCTIONS 408-35043 | | |

| TERMINAL DATA: TE TERMINAL | | TE CRIMP SPECIFICATION | |
|--|-------------|------------------------------|-------------|
| TERMINAL NAME: .250 SERIES FASTON FLAG | | | |
| WIRE STRIP LENGTH | | INSULATION DIAMETER RANGE | |
| 4.39-5.15 mm [.173-.203 IN] | | ∅2.79-5.08 mm [.110-.200 IN] | |
| TERMINAL APPLICATION SPECIFICATION | 114-2079 | - | - |
| TERMINALS APPLIED | | | |
| TE TERMINAL | TE TERMINAL | TE TERMINAL | TE TERMINAL |
| 63538-1 | 63538-3 | 63963-1 | |

| TERMINAL DATA: TE TERMINAL | | TE CRIMP SPECIFICATION | |
|--|-------------|------------------------------|-------------|
| TERMINAL NAME: .250 SERIES FASTON FLAG | | | |
| WIRE STRIP LENGTH | | INSULATION DIAMETER RANGE | |
| 4.39-5.15 mm [.173-.203 IN] | | ∅2.79-4.06 mm [.110-.160 IN] | |
| TERMINAL APPLICATION SPECIFICATION | 114-2079 | - | - |
| TERMINALS APPLIED | | | |
| TE TERMINAL | TE TERMINAL | TE TERMINAL | TE TERMINAL |
| 62811-1 | 62811-2 | | |

| WIRE SIZE | CRIMP HEIGHT mm [INCH] | CRIMP HEIGHT REFERENCE SETTING |
|------------|----------------------------|--------------------------------|
| 14 AWG | 1.96+/-0.05 [.077+/- .002] | 3.7 |
| (2) 18 AWG | 1.80+/-0.05 [.071+/- .002] | 5.6 |
| 16 AWG | 1.73+/-0.05 [.068+/- .002] | 6.0 |
| 18 AWG | 1.57+/-0.05 [.062+/- .002] | 7.8 |

| WIRE SIZE | CRIMP HEIGHT mm [INCH] | CRIMP HEIGHT REFERENCE SETTING |
|------------|----------------------------|--------------------------------|
| 14 AWG | 1.96+/-0.05 [.077+/- .002] | 3.7 |
| (2) 18 AWG | 1.80+/-0.05 [.071+/- .002] | 5.6 |
| 16 AWG | 1.73+/-0.05 [.068+/- .002] | 6.0 |
| 18 AWG | 1.57+/-0.05 [.062+/- .002] | 7.8 |

- RECOMMENDED SPARE PARTS
- REFER TO SUPPLIED INSTRUCTION SHEET FOR CLEANING, LUBRICATION AND STORAGE OF APPLICATOR.
- APPLY PART NUMBER 2-23419-6 LOCTITE TO THREADS OF ITEM 242.
- CRIMP HEIGHT REFERENCE SETTING WAS THE SETTING USED WHEN THE APPLICATOR WAS QUALIFIED AT THE FACTORY. ADJUSTMENT MAY BE NECESSARY WHEN RUNNING APPLICATOR IN THE FIELD.
- TERMINAL PITCH NOT COMPATIBLE WITH MECHANICAL FEED.
- TERMINAL LUBRICANT IS RECOMMENDED.

***WARNING**
ON INSTALLATION, SET WIRE DISC TO CRIMP HEIGHT REFERENCE SETTING FOR LARGEST WIRE SIZE. CRIMP HEIGHT REFERENCE SETTINGS GREATER THAN THE VALUE SHOWN MAY CAUSE DAMAGE TO THE CRIMP TOOLING, REFER TO THE INSTRUCTION SHEET FOR PROPER SETUP AND ADJUSTMENTS.

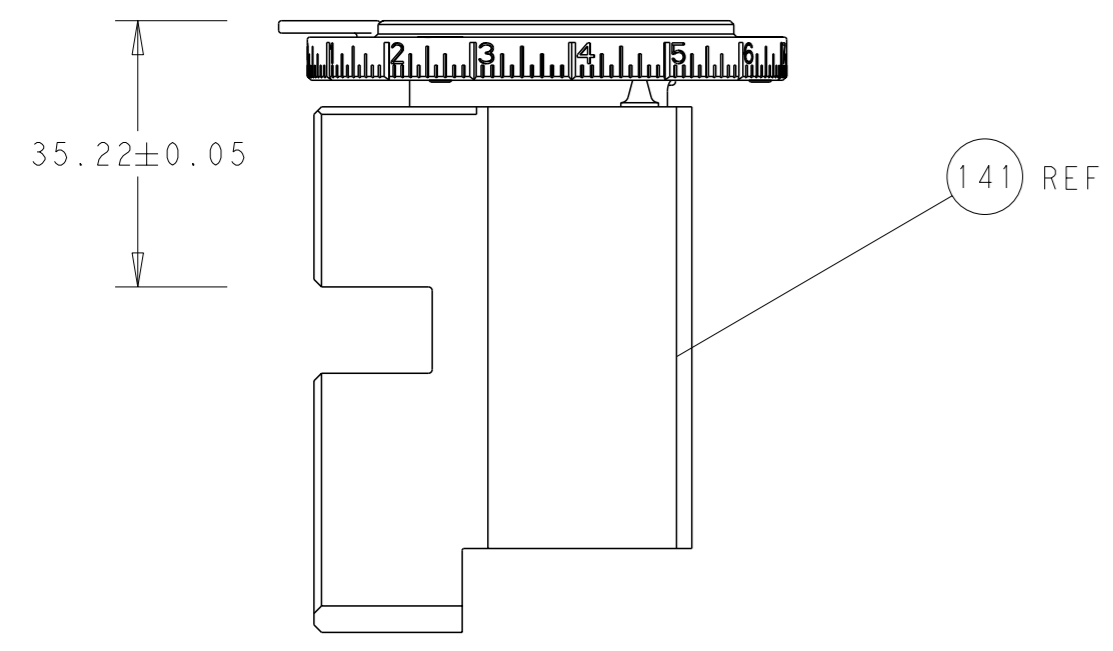
| LOC | DIST | REVISIONS | | | | | |
|-----|------|-----------|-----|-------------|------|-----|------|
| A | 66 | P | LY# | DESCRIPTION | DATE | OWN | APVD |
| | | - | | SEE SHEET 1 | - | - | - |

| | | | | |
|---|-----|-------------|-------------------------------------|-----|
| - | 1 | 2119640-1 | PUSH ROD, AIR FEED | 250 |
| - | 1 | 1803259-1 | BUSHING, FLANGED | 249 |
| - | 1 | 2119082-9 | CAM, SNAIL, INSULATION ADJUSTMENT | 244 |
| - | 1 | 2079764-1 | WASHER, WAVE SPRING, CREST-TO-CREST | 243 |
| - | 1 | 2119083-1 | RETAINER, INSULATION DIAL | 242 |
| - | 1 | 2063440-1 | AIR FEED MODULE | 238 |
| - | 1 | 1-18028-0 | WASHER, FLAT, REG M8 | 192 |
| - | 2 | 1-2168083-1 | SCR, SKT HD CAP, RoHS, M3 X 6 | 191 |
| - | 4 | 2079383-9 | SCR, BHSC, RoHS (M6 X 20) | 186 |
| - | 2 | 21045-3 | RING, RETAIN, EXTERN, 3/16 CRESCENT | 172 |
| - | REF | 994970-2 | COUNTER, MAGNETIC | 164 |
| - | 1 | 240638-1 | SPRING, FEED FINGER | 163 |
| - | 1 | 2119641-2 | FEED CAM, AIR FEED | 152 |
| - | 1 | 2168083-8 | SCR, SKT HD CAP, RoHS, M4 X 16 | 144 |
| - | - | 2119653-2 | FEED CAM, POST FEED | 142 |
| - | 1 | 2119655-6 | APPLICATOR BASIC ASSEMBLY, EF | 141 |
| - | 1 | 1803518-1 | RAM ASSEMBLY, EF PACIFIC | 140 |
| - | 1 | 3-23627-7 | PIN, RETAIN, GRVD, 3/16 X .854 | 137 |
| - | 1 | 2119955-2 | ASSY, LUBRICATOR, END FEED | 84 |
| - | 1 | 455888-6 | SPACER, CRIMPER | 82 |
| - | 1 | 1803607-2 | DOCUMENTATION PACKAGE | 71 |
| - | 2 | 3-18032-3 | SCR, SET, FLT PNT, M3 X 20.0 | 70 |
| - | 1 | 2119740-1 | TAG, IDENTIFICATION | 67 |
| - | 2 | 2168078-1 | SCREW, DRIVE, RH, RoHS, 2 x .188 | 66 |
| - | 4 | 2168400-1 | SHCS, LOW HEAD, RoHS, M4 X 12 | 57 |
| - | 2 | 2168083-2 | SCR, SKT HD CAP, RoHS, M4 X 8.0 | 56 |
| - | 2 | 5018030-1 | NUT, HEX, REG, RoHS, M3 | 54 |
| - | 2 | 986965-8 | NUT, LOCK, HEX, TORQUE (M4) | 53 |
| - | 1 | 2119792-9 | PAWL, EF, AIR | 51 |
| - | 1 | 18023-9 | SCR, SKT HD CAP M4 X 6.0 | 49 |
| - | 1 | 1803602-1 | SCR, BHSC, RoHS (M8 X 25) | 41 |
| - | 8 | 1-18028-2 | WASHER, FLAT, REG M4 | 33 |
| - | 2 | 1-2168083-2 | SCR, SKT HD CAP, RoHS, M4 X 25 | 31 |
| - | 2 | 2168083-2 | SCR, SKT HD CAP, RoHS, M4 X 8.0 | 29 |
| - | 1 | 468281-1 | STRIPPER | 27 |
| - | 2 | 1-2168083-6 | SCR, SKT HD CAP, RoHS, M4 X 35 | 25 |
| - | 1 | 2161922-4 | PLATE, STRIP GUIDE | 24 |
| - | 2 | 22281-6 | SPRING, COMPRESSION | 22 |
| - | 1 | 1633168-2 | ARM, STOCK DRAG | 21 |
| - | 1 | 464452-4 | DRAG, STOCK | 20 |
| - | 1 | 3-1901696-2 | STRIP GUIDE, REAR | 19 |
| - | 1 | 1-1901259-1 | GUIDE, LOWER STRIP | 18 |
| - | 1 | 469633-1 | BLOCK, SUPPORT | 14 |
| - | 1 | 461160-1 | PLATE, REAR SHEAR | 11 |
| - | 2 | 5-240645-2 | SPACER, SHEAR PLATE | 10 |
| - | 1 | 455961-3 | PLATE, FRONT SHEAR | 9 |
| - | 1 | 7-1803000-0 | ANVIL, COMBINATION, END FEED | 8 |
| - | 1 | 1-469634-9 | BLADE, SLUG | 7 |
| - | - | - | - | 6 |
| - | 1 | 238011-2 | BLOCK, CRIMPER SPACER | 4 |
| - | 1 | 1803229-1 | CRIMPER, INSULATION O PREMIUM | 3 |
| - | 1 | 1-455888-8 | SPACER, CRIMPER | 2 |
| - | 1 | 2-464112-4 | CRIMPER, WIRE | 1 |

PACIFIC VERSION
Shown on sheets 3 of 4 & 4 of 4
(Atlantic version shown on sheets 1 of 4 & 2 of 4)

| | | | |
|--|--|---|--|
| <small>THE DRAWING IS UNPUBLISHED. IT IS SUBJECT TO CHANGE AND TO THE TERMS AND CONDITIONS OF THE PURCHASE ORDER. ANY CHANGES TO THIS DRAWING MUST BE CONTACTED FOR THE LATEST REVISION.</small> | | OWN: B. WEAVER 03MAR2015 CHK: T. ELBIN 03MAR2015 APVD: T. ELBIN 03MAR2015 | NAME: TE Connectivity Harrisburg, PA 17105-3608 |
| DIMENSIONS: | TOLERANCES UNLESS OTHERWISE SPECIFIED: | PRODUCT SPEC | SIZE: A1 |
| mm | 0 PLC ± 1 PLC ± 2 PLC ± 3 PLC ± 4 PLC ± ANGLES FINISH * | APPLICATION SPEC | CAGE CODE: 00779 |
| MATERIAL: | | WEIGHT: | SCALE: 1:1 |
| | | | SHEET 3 OF 4 |

| LOC | DIST | REVISIONS | | | |
|-----|------|-----------|-------------|-----|------|
| A | 66 | REV | DATE | OWN | APVD |
| | | - | SEE SHEET 1 | - | - |

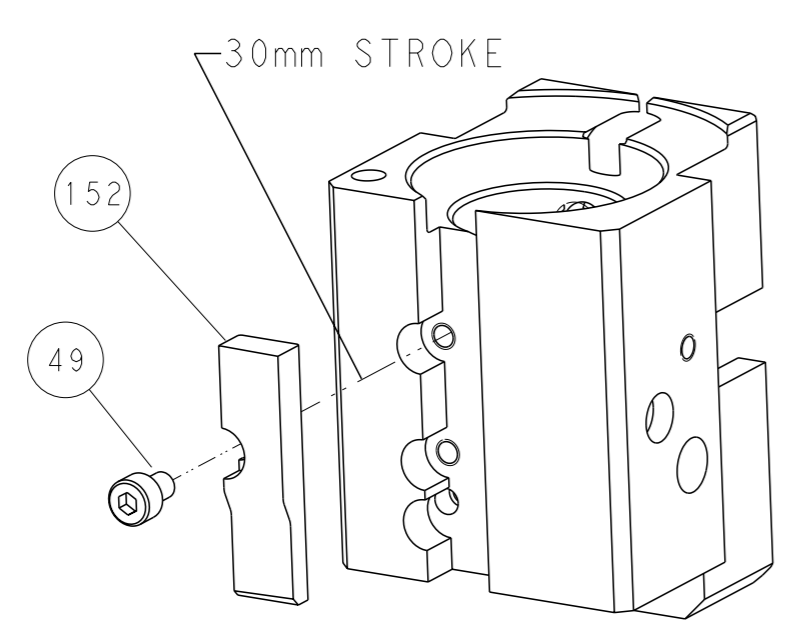


RAM SET-UP

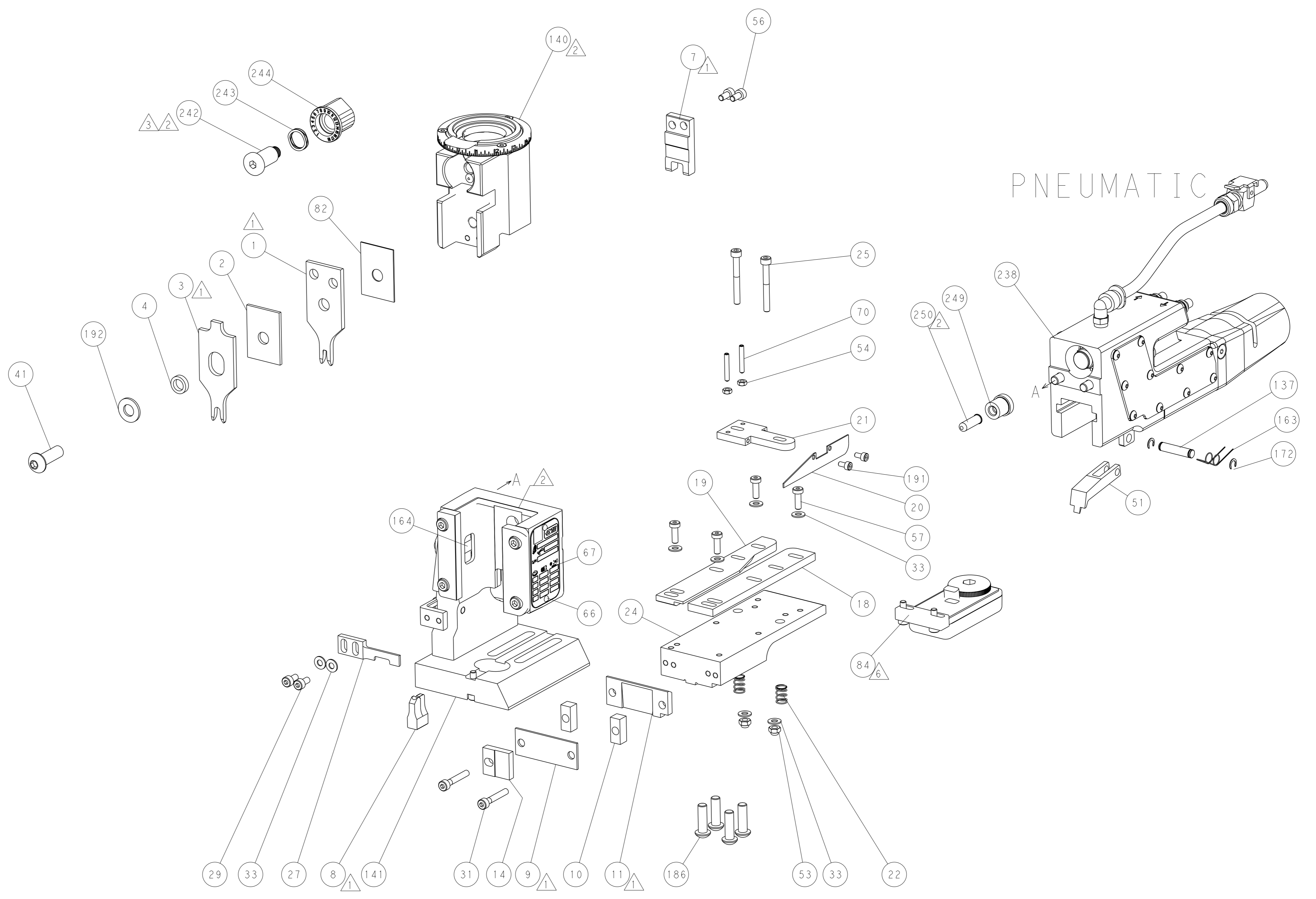
FEED TYPE

PNEUMATIC

CAM POSITIONS



AIR FEED



PACIFIC VERSION
 Shown on sheets 3 of 4 & 4 of 4
 (Atlantic version shown on sheets 1 of 4 & 2 of 4)

| | | | | | |
|---|--|--|--|--|----------------|
| <small>THIS DRAWING IS UNPUBLISHED. RELEASED FOR PUBLICATION 2015. COPYRIGHT 2015 BY TYCO ELECTRONICS CORPORATION. ALL RIGHTS RESERVED.</small> | | OWN: B. WEAVER CHK: T. ELBIN APVD: T. ELBIN PRODUCT SPEC: | 03MAR2015 03MAR2015 03MAR2015 | NAME: Ocean End Feed Applicator SIZE: A CAGE CODE: 00779 DRAWING NO: C=2150129 SCALE: 1:1 SHEET: 4 of 4 REV: B | RESTRICTED TO: |
| DIMENSIONS: mm TOLERANCES UNLESS OTHERWISE SPECIFIED: 0 PLC ± 1 PLC ± 2 PLC ± 3 PLC ± 4 PLC ± ANGLES FINISH ± | | WEIGHT: | CUSTOMER ACCESSIBLE PRODUCTION DRAWING | SHEETS 1 & 2 ARE NOT REQUIRED FOR PACIFIC VERSION | |

Mouser Electronics

Authorized Distributor

Click to View Pricing, Inventory, Delivery & Lifecycle Information:

[TE Connectivity:](#)

[7-2150129-7](#)