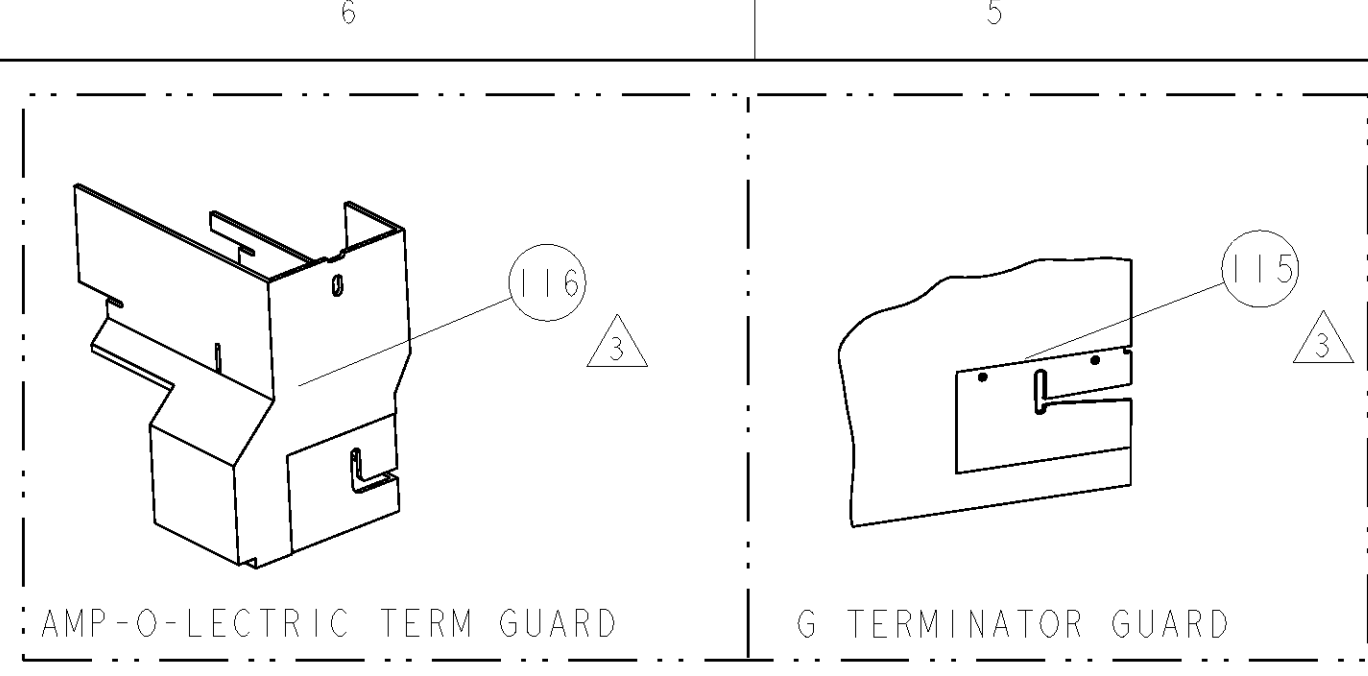


PART NUMBER	REV	FIRST USED	POWER UNIT	FEED TYPE	DESCRIPTION
1855598-1	A	122500-1	LEADMAKER	AIR FEED	CUTS CARRIER
1855598-2	A	565435-5	BENCH MODEL K	AIR FEED	CUTS CARRIER
1855598-3	A	354500-1	BENCH MODEL G	AIR FEED	CUTS CARRIER
1855598-6	A	122500-1	LEADMAKER	AIR FEED	CONTINUOUS CARRIER
7-1855598-7	A	-	-	-	SPARE PARTS

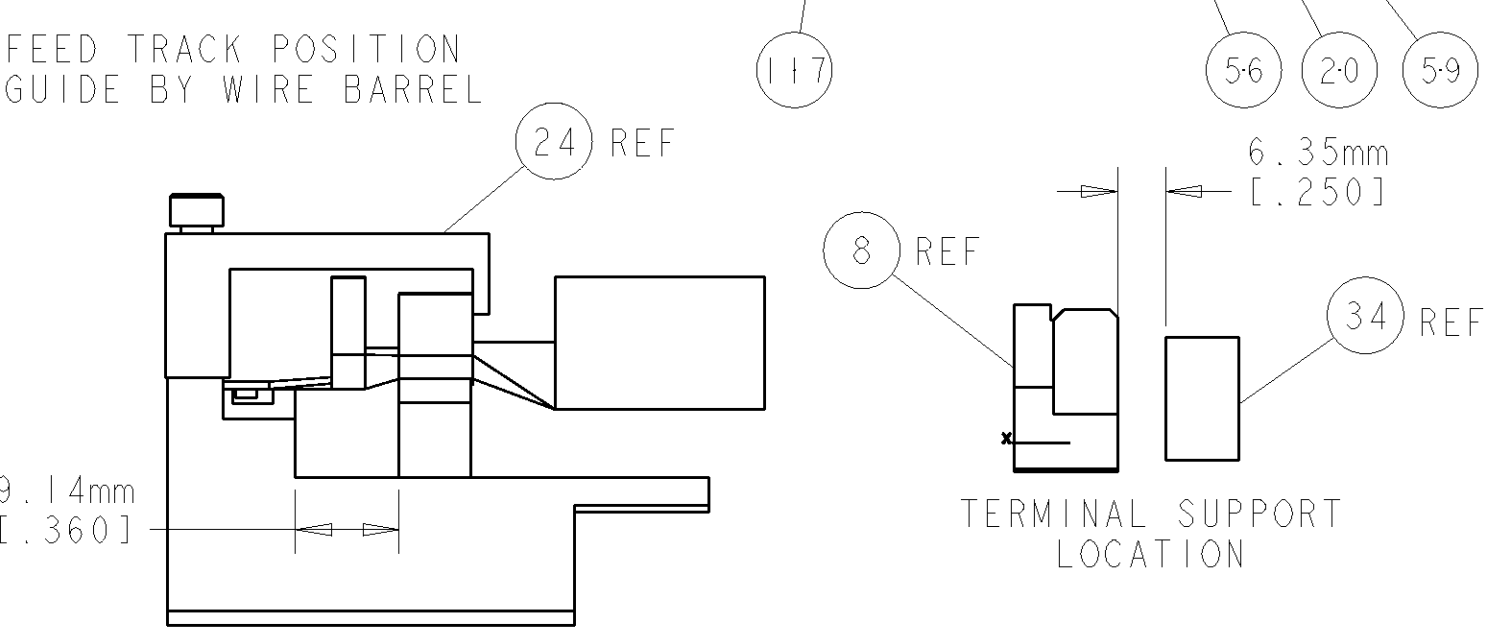
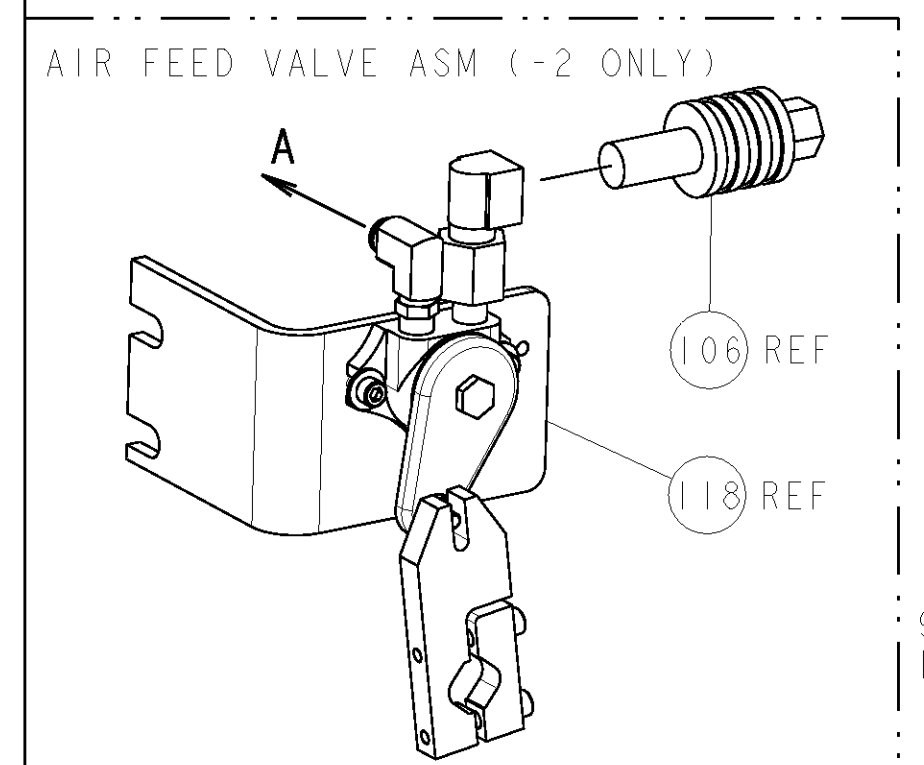
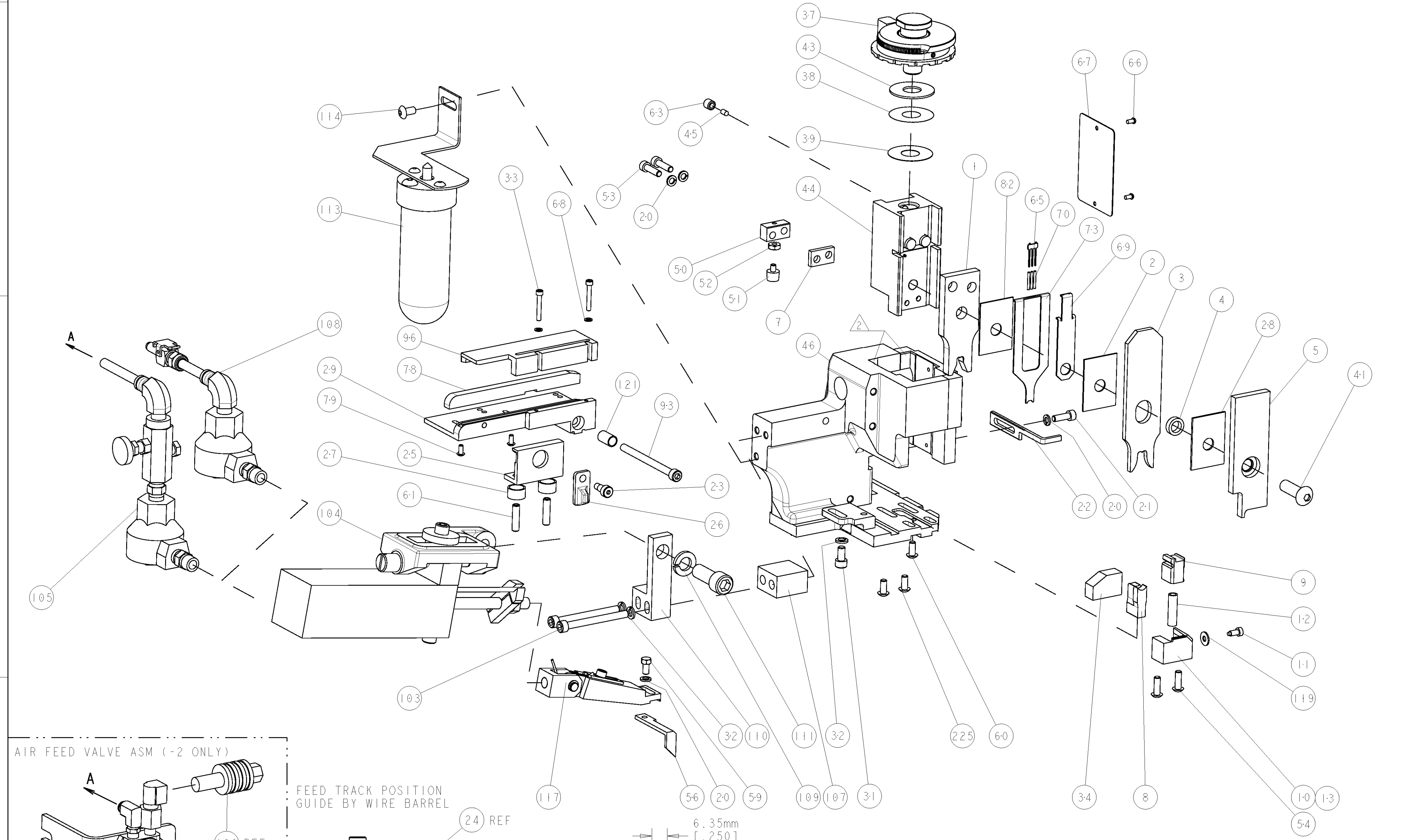


TERMINAL NAME: AMP MCP 9.58 FLAT TYPE RECEPTACLE, SWS						
TE PN	-	TE TERMINAL - TE CRIMP SPECS				
967588	-	CRIMP HEIGHT		WIRE SIZE	REF SETTING	
-	-	3.84mm+ .05/- .05 [.151+ .002/- .002]	10mm2	A0		
-	-	3.22mm+ .05/- .05 [.127+ .002/- .002]	6mm2	E7		
CRIMP	SIZE	TYPE	RANGE			
WIRE	5.08mm [.200]	F	6-10 mm2			
INSUL	7.62mm [.300]	F	Ø 4.600 - 6.600			
WIRE STRIP LENGTH	9.70-10.30	TERM APPL SPEC	FEED	APPLICATOR INSTRUCTIONS	SET UP GAGE	
-	-	114-18269	32.50	408-8040	458637-1	

LOC	DIST	REV	DATE	BY	APPV
A	66	1	02NOV2010	RR	TE

- △ RECOMMENDED SPARE PARTS
- △ GREASE LIGHTLY
- △ GUARD MUST BE IN PLACE WHEN OPERATING APPLICATOR IN A BENCH MACHINE

*** WARNING**
ON INSTALLATION, SET WIRE DISC TO LARGEST WIRE SIZE SETTING. USE OF SETTINGS BELOW MIN. REQUIRED CRIMP HEIGHT SETTING WILL CAUSE DAMAGE TO CRIMP TOOLING.



QTY	REF	DESCRIPTION	ITEM NO
1	115	INSERT, GUARD	115
1	114	SCR, BTN SKT HD CAP 10-32 X .375	114
1	113	LUBRICATOR ASSY	113
1	111	SCR, SKT HD CAP 3/8-16 X 1.000	111
1	110	MOUNT, FEED BRACKET	110
1	109	WASHER, SPRG LOCK, REG 3/8	109
1	108	AIR FEED VALVE ASSEMBLY	108
1	107	SPACER, AIR FEED	107
1	106	VALVE, SHUT OFF	106
1	105	AIR FEED VALVE ASSEMBLY	105
1	104	ASSEMBLY, AIR FEED	104
2	103	SCR, SKT HD CAP 10-32 X 2.000	103
1	96	GUIDE, FRONT STRIP	96
1	93	SCR, SKT HD CAP 10-32 X 2.500	93
1	82	SPACER, CRIMPER	82
2	79	SCR, BTN SKT HD CAP 4-40 X .250	79
1	78	FENCE	78
1	73	DEPRESSOR, WIRE	73
1	72	SF APPL INST 408-8040	72
1	71	GENERAL INSTRUCTION PKG	71
3	70	SPRING, COMPRESSION	70
1	69	DEPRESSOR, SPACER	69
2	68	WASHER, SPRG LOCK, REG NO 4	68
1	67	PLATE, IDENTIFICATION	67
2	66	SCREW, DRIVE	66
1	65	HOLDER, PIN, WIRED	65
1	63	SCR, SET, SELF LOCKING 1/4-20 X .250	63
2	61	SCR, SET, CUP POINT 10-32 X .750	61
1	60	SCR, BHSC, SELF-LOCKING, 8-32 X .375	60
1	59	SCR, HEX HD CAP 8-32 X .312	59
1	56	FEED PAWL	56
2	54	SCR, BTN SKT HD CAP 8-32 X .500	54
2	53	SCR, SKT HD CAP 8-32 X .625	53
1	52	NUT, HEX, REG 6-32	52
1	51	BUMPER, HOLD DOWN	51
1	50	SPACER, TONKER	50
1	46	APPL., BASIC AIR FEED SUB ASSY	46
1	45	PLUG, NYLON	45
1	44	RAM, SIDE FEED	44
1	43	SHIM	43
1	41	SCR, BTN SKT HD CAP 5/16-24 X 1.00	41
1	39	SHIM SUB-ASSY	39
1	38	SHIM	38
1	37	FINE ADJUST HEAD ASSEMBLY	37
1	34	TERMINAL SUPPORT	34
2	33	SCR, SKT HD CAP 4-40 X .750	33
3	32	WASHER, SPRG LOCK, REG NO 10	32
1	31	SCR, SKT HD CAP 10-32 X .375	31
1	29	PLATE, STRIP GUIDE	29
1	28	SPACER, CRIMPER	28
2	27	SPRING, COMPRESSION	27
1	26	LEVER, DRAG RELEASE	26
1	25	DRAG, TERMINAL	25
1	23	SCR, SKT HD SHLDR 3/16 DIA X .250	23
1	22	STRIPPER	22
1	21	SCR, SKT HD CAP 8-32 X .500	21
4	20	WASHER, SPRG LOCK, REG NO 8	20
1	13	SHEAR HOLDER, FRONT (NO CUT)	13
1	12	SPRING, COMPRESSION	12
1	11	STOP, SHEAR	11
1	10	SHEAR HOLDER, FRONT	10
1	9	FLOATING SHEAR, FRONT	9
1	8	ANVIL, COMBINATION	8
1	7	SPACER	7
1	6	-	6
1	5	DEPRESSOR, SHEAR	5
1	4	BLOCK, CRIMPER SPACER	4
1	3	CRIMPER, INSULATION PREMIUM	3
1	2	SPACER, CRIMPER	2
1	1	CRIMPER, WIRE	1

QTY	REF	DESCRIPTION	ITEM NO
2	2	2-21002-1 SCR, BTN SKT HD CAP 8-32 X .375	225
1	1	1-22281-8 SPRING, COMPRESSION	121
1	1	21055-5 WASHER, FLAT, REG NO 6	119
-	-	692655-6 AIR FEED VALVE ASSEMBLY	118
1	1	461062-1 FEED FINGER ASSEMBLY	117
-	-	455749-1 GUARD WINDOW	116

DIMENSIONS:		TOLERANCES UNLESS OTHERWISE SPECIFIED:		APPROVED:	
INCHES		9 PLC ± .01	10 PLC ± .01	11 PLC ± .01	12 PLC ± .01
		13 PLC ± .001	14 PLC ± .001	15 PLC ± .001	16 PLC ± .001
		17 ANGLE ± .001	18 ANGLE ± .001	19 ANGLE ± .001	20 ANGLE ± .001
MATERIAL:		FINISH:		WEIGHT:	
				A 00779 C=1855598	

Mouser Electronics

Authorized Distributor

Click to View Pricing, Inventory, Delivery & Lifecycle Information:

[TE Connectivity:](#)

[1855598-1](#)