

SAFETY ORGANIZATIONS

THIS FILTER HAS NOT YET BEEN FORMALLY RECOGNIZED, CERTIFIED OR APPROVED BY THE LISTED AGENCY. THEREFORE, ALL TEST/REQUIREMENTS SPECIFIED IN THE LATEST REVISION OF THE FOLLOWING AGENCY STANDARDS HAVE NOT YET BEEN MET:

- UL RECOGNIZED: UL 1283
- CSA CERTIFIED: CSA 22.2, # 8
- VDE APPROVED: VDE 565-3

OPERATING SPECIFICATIONS

LINE CURRENT/VOLTAGE: 15 AMP, 100 VDC

LINE FREQUENCY: DC

MAXIMUM LEAKAGE CURRENT, EACH LINE TO GROUND: 0.01 mA @ 100VDC

OPERATING AMBIENT TEMP. RANGE: -10°C TO +55°C @ RATED CURRENT, I_r .

IN AN AMBIENT, T_0 , HIGHER THAN 40°C, THE MAXIMUM OPERATING CURRENT, I_0 , IS AS FOLLOWS:

$$I_0 = I_r \sqrt{\frac{90 - T_0}{35}}$$

RELIABILITY SPECIFICATIONS:

- STORAGE TEMPERATURE: -40°C TO +85°C
- HUMIDITY: 21 DAYS @ 40°C 95% RH.
- CURRENT OVERLOAD TEST: 6 TIMES I_r FOR 8 SECONDS

TEST SPECIFICATIONS: ENGINEERING SAMPLE 4

- INDUCTANCE: 24 μ H NOMINAL
- CAPACITANCE: (MEASURED @ 1KHz, 0.250VAC MAX., 25°C±1°C)
 - LINE TO GROUND: (0.005 μ F ±20%)
 - LINE TO LINE: TBD (0.100 μ F ±20%)
- DISCHARGE RESISTOR: 3.3 M Ω
- L/G AND L/L I.R.
- NO DISCHARGE RESISTOR: 6000M Ω (MIN.) @ 100VDC, 20°C AND 50% RH

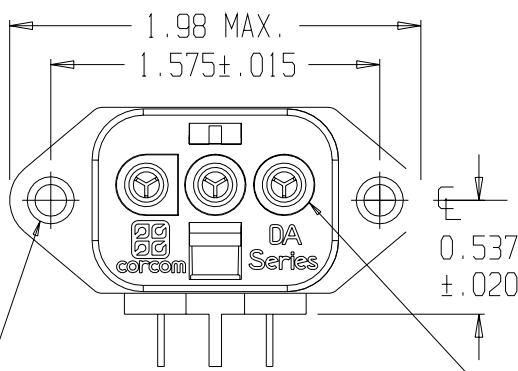
RECOMMENDED RECEIVING INSPECTION HIPOT:

- LINE TO GROUND: 2250VDC FOR 1 MINUTE
- LINE TO LINE: 1450VDC FOR 1 MINUTE

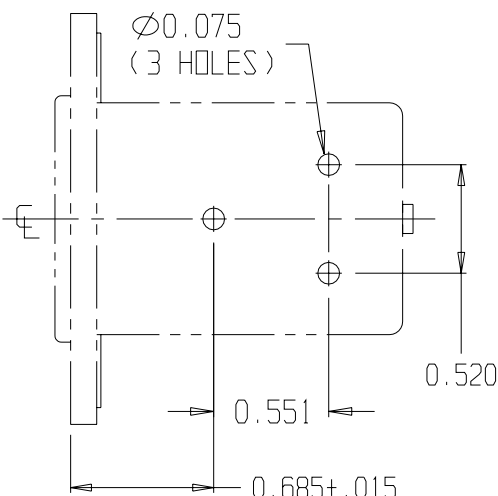
FILTER APPROVAL:

THE BEST WAY TO SELECT AND QUALIFY A FILTER IS FOR YOUR ENGINEERING TO TEST THE UNIT IN YOUR EQUIPMENT.

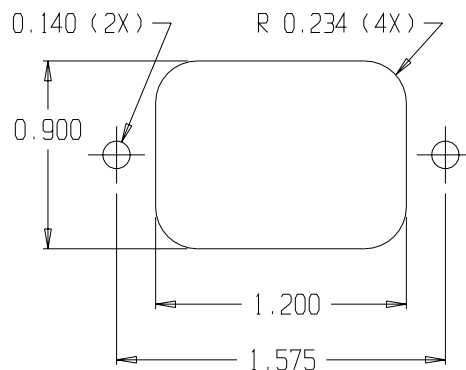
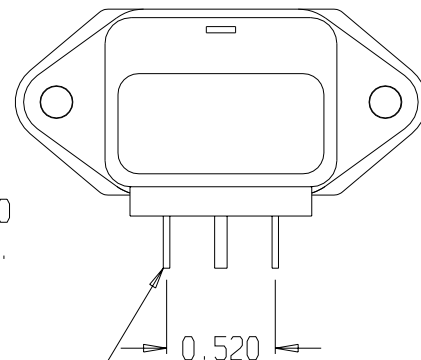
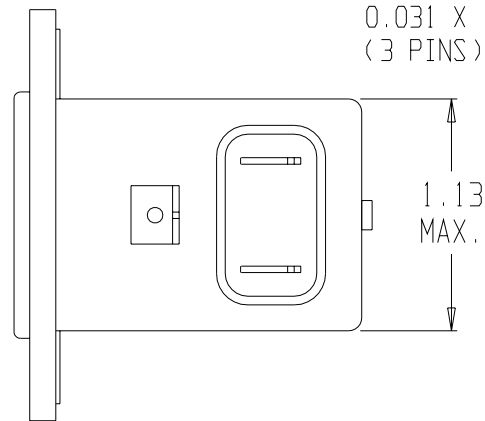
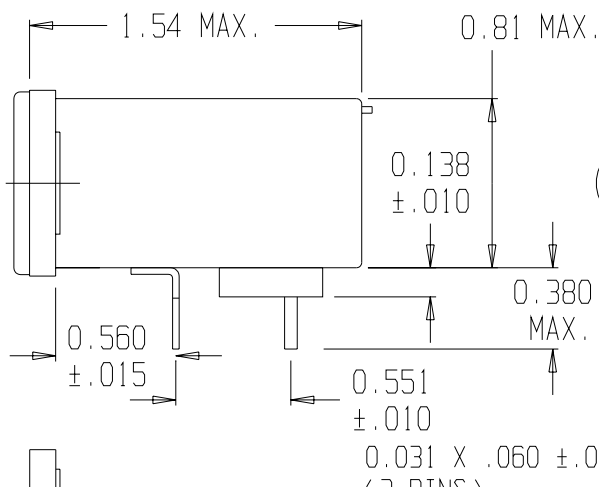
CATALOG # 15DAFP		
ECN #	APPRVD.	DATE
16216	ELC	5/2/02



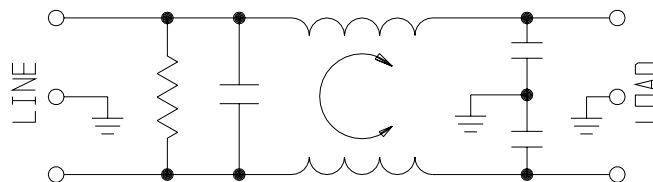
ϕ 0.140±.01
 ϕ 0.260 REF X 82° CSINK FOR #4 FLT HD SCR (2X)
 MATES WITH MOLEX HCS-125: 03-12-1026 WITH FEMALE 18121601/18121602 TERMINALS.



PC LAYOUT



PANEL CUTOUT (BACK MOUNT) TOLERANCE ±.005



50 Ω - 50 Ω (MINIMUM) INSERTION LOSS	
FREQUENCY MHz	COMMON dB
.05	-
.10	-
.15	-
.50	3
1	5
3	13
5	19
10	25
30	29
100	10
200	14
FREQUENCY MHz	DIFF. dB
.05	-
.10	-
.15	2
.50	17
1	19
3	29
5	33
10	37
30	37
100	31
200	28

THIRD ANGLE PROJECTION

UNLESS OTHERWISE SPECIFIED, TOLERANCE TO BE ±.025 MATERIAL & FINISH: AS SUPPLIED

This document is proprietary to CORCOM INC. and is not to be reproduced nor used for manufacturing purposes except on CORCOM'S prior written consent.



844 E. ROCKLAND RD. LIBERTYVILLE IL 60048

DC LINE FILTER

CAD FILE: G:\CD\15DAFP01	DATE: 8/2/01	CATALOG NO. 15DAFP	REV. 1
SCALE: NTS	DRG. BY: ELC	DRIG: ELC	

Mouser Electronics

Authorized Distributor

Click to View Pricing, Inventory, Delivery & Lifecycle Information:

[TE Connectivity:](#)

[6609075-9](#)