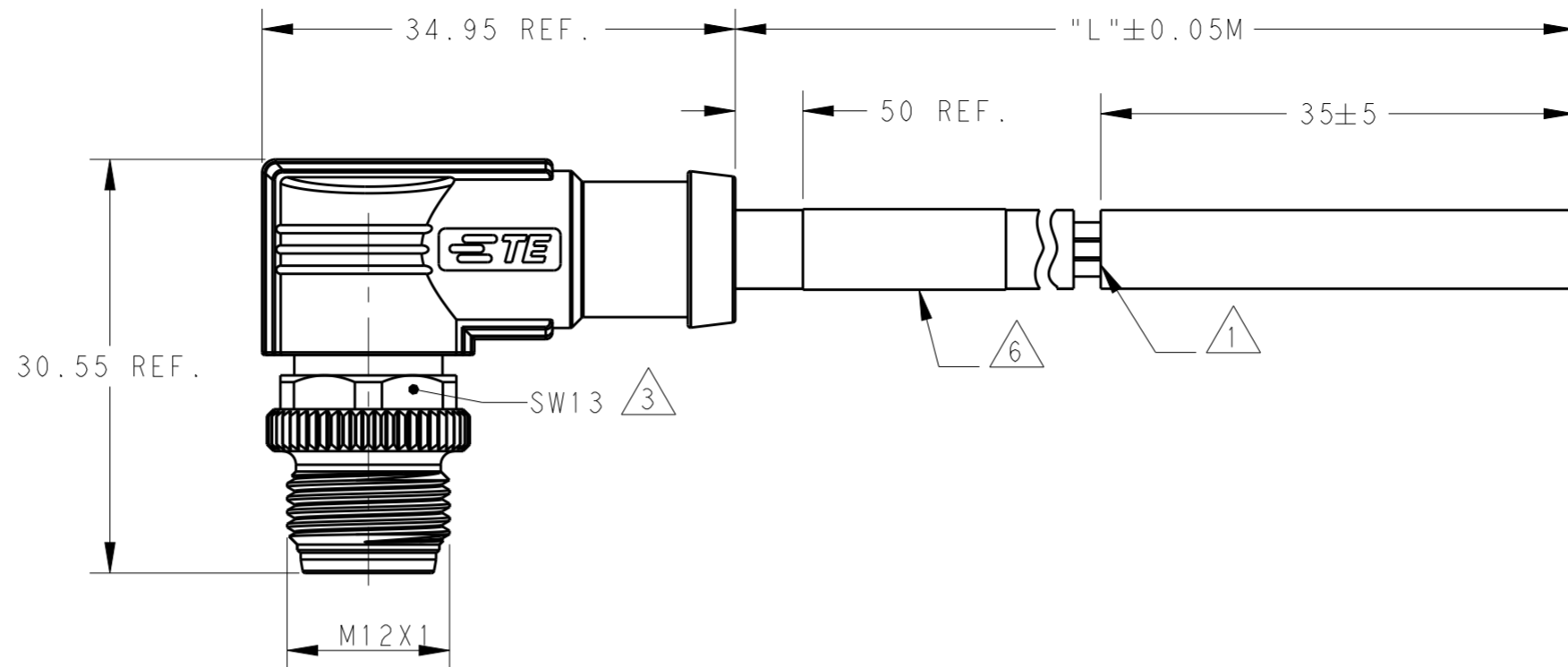
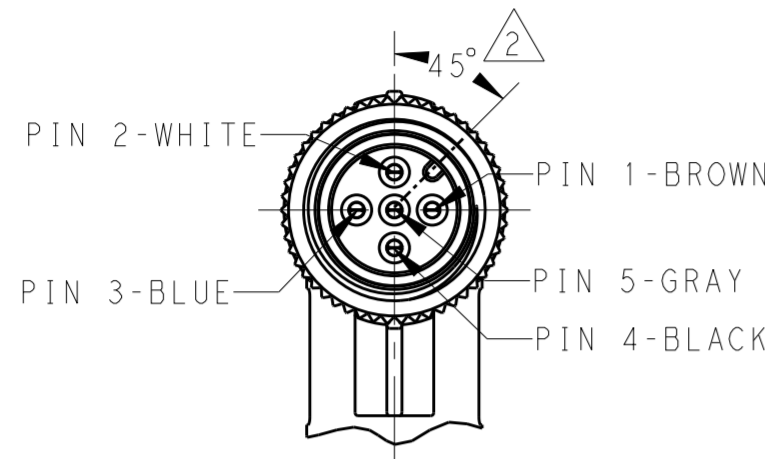


THIS DRAWING IS UNPUBLISHED. RELEASED FOR PUBLICATION 20
 © COPYRIGHT 20 BY - ALL RIGHTS RESERVED.

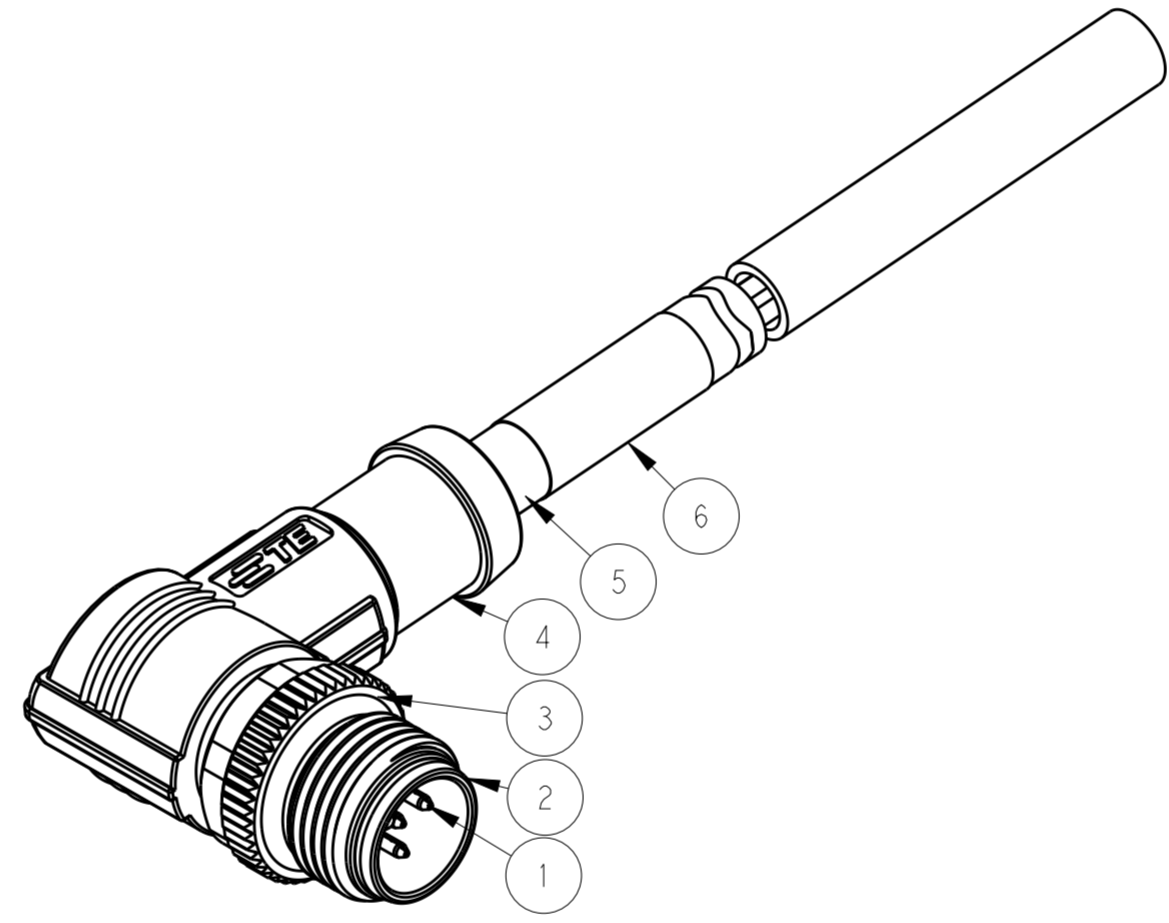
ITEM	DESCRIPTION	MATERIAL	OTHERS
1	MALE CONTACT	COPPER ALLOY	FLASH GOLD
2	HOUSING	NYLON	BLACK
3	COUPLING NUT	COPPER ALLOY	-
4	OVER-MOLDING	POLYURETHANE	BLUE
5	CABLE	-	-
6	LABEL	-	-



REVISIONS				
P	LTR	DESCRIPTION	DATE	APVD
	A	INITIAL RELEASE	13APR2016	HW XX

NOTE:
 ①. STRIP AND RETAIN THE INSULATION
 ②. CODE POSITION
 ③. RECOMMENDED TORQUE 0.6 Nm
 ④. -*:CABLE LENGTH
 -0.5:0.5M,
 -1.0:1.0M,
 -1.5:1.5M,
 -3.0:3.0M,
 -5.0:5.0M,
 -7.0:7.0M,
 -10.0:10.0M,
 5. CABLE ASSEMBLY TO BE PACKAGED IN POLYBAGS
 ⑥. LABEL CONTAINS: PN, DATE CODE...

TECHNICAL DATA	T41612X0002-00X	T41612X0003-00X	T41612X0004-00X	T41612X0005-00X
RATED VOLTAGE	250V		60V	
RATED IMPULSE VOLTAGE	2500V		1500V	
RATED CURRENT	4A			
POLLUTION DEGREE	3			
OVERVOLTAGE CATEGORY	II			
MATERIAL GROUP	II			
DEGREE OF PROTECTION	IP67			



注释:
 ①. 剥线并保留护套绝缘层
 ②. CODE位置
 ③. 推荐扭矩0.6 Nm
 ④. -*:线缆长度
 -0.5:0.5M,
 -1.0:1.0M,
 -1.5:1.5M,
 -3.0:3.0M,
 -5.0:5.0M,
 -7.0:7.0M,
 -10.0:10.0M,
 5. 线缆组件塑料袋包装
 ⑥. 标签包含: 产品编号, 日期代码...

PIN ARRANGEMENT A-CODE

T41612X0002-00X	T41612X0003-00X	T41612X0004-00X
T41612X0005-00X		

WIRES: 0.34mm ² (22AWG) WIRE COLOR: WH/BR/BK/BL/GR OD: APPROX.5.0MM FOR 2P/3P APPROX.5.5MM FOR 4P APPROX.6.0MM FOR 5P	-001:0.5M	FIXED: -40°C~+80°C FLXIBLE: -25°C~+80°C	GRAY	PUR (UL)	RPC-M12-MR-5CON-PUR-**SH ④	5	T4161220005-00X
	-002:1.0M				RPC-M12-MR-4CON-PUR-**SH ④	4	T4161220004-00X
	-003:1.5M				RPC-M12-MR-3CON-PUR-**SH ④	3	T4161220003-00X
	-004:3.0M	FIXED: -10°C~+80°C FLXIBLE: -5°C~+80°C	BLACK	PVC (UL)	RPC-M12-MR-2CON-PUR-**SH ④	2	T4161220002-00X
	-005:5.0M				RPC-M12-MR-5CON-PVC-**SH ④	5	T4161210005-00X
	-006:7.0M				RPC-M12-MR-4CON-PVC-**SH ④	4	T4161210004-00X
	-007:10.0M				RPC-M12-MR-3CON-PVC-**SH ④	3	T4161210003-00X
				RPC-M12-MR-2CON-PVC-**SH ④	2	T4161210002-00X	
CABLE CHARACTERISTIC	LENGTH "L"	TEMPERATURE RANGE	JACKET COLOR	JACKET MATERIAL	TYPE	POS.	TE PN

THIS DRAWING IS A CONTROLLED DOCUMENT.

DIMENSIONS: mm	TOLERANCES UNLESS OTHERWISE SPECIFIED:	DWN HAO WANG 13APR2016	TE Connectivity NAME M12X1 RIGHT ANGLE PLUG, FREE END A-CODE, SHIELDED, SIZE A2 CAGE CODE - DRAWING NO. 108-106140 APVD KOBBY ZHAO 13APR2016 PRODUCT SPEC - APPLICATION SPEC - WEIGHT - CUSTOMER DRAWING
0 PLC ±	1 PLC ±	CHK KOBBY ZHAO 13APR2016	
2 PLC ±	3 PLC ±	APVD XIANG XU 13APR2016	
4 PLC ±	ANGLES ±2	FINISH -	
MATERIAL -	FINISH -	SCALE 2:1	SHEET 1 OF 1

Mouser Electronics

Authorized Distributor

Click to View Pricing, Inventory, Delivery & Lifecycle Information:

[TE Connectivity:](#)

[T4161210003-007](#)