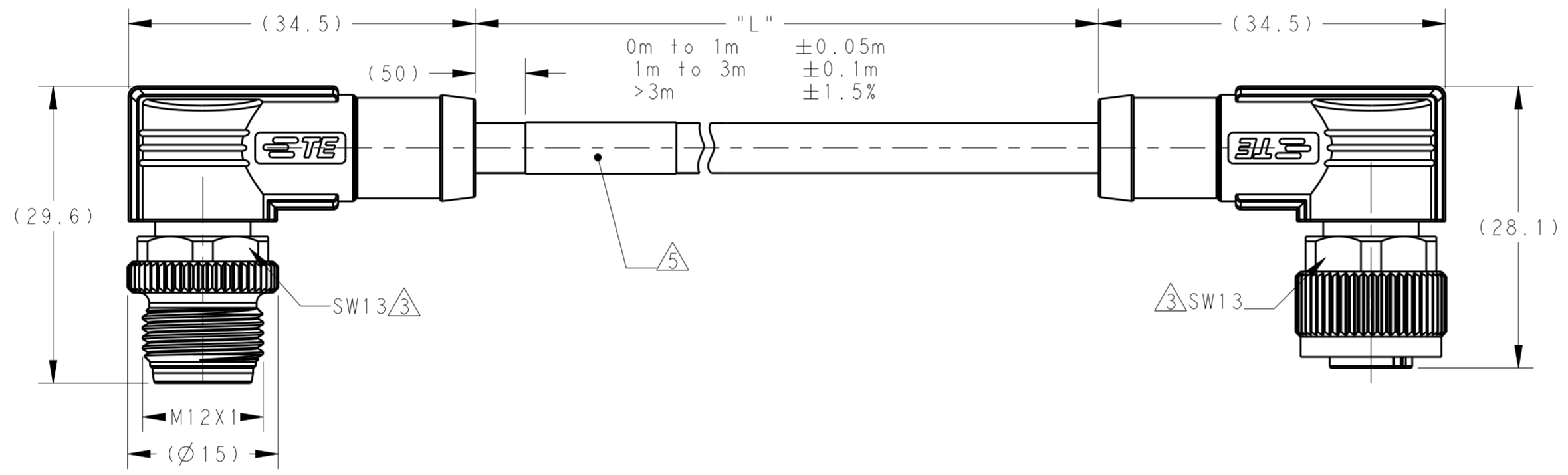
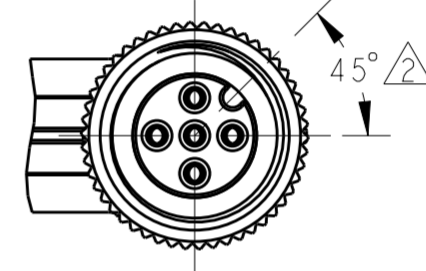
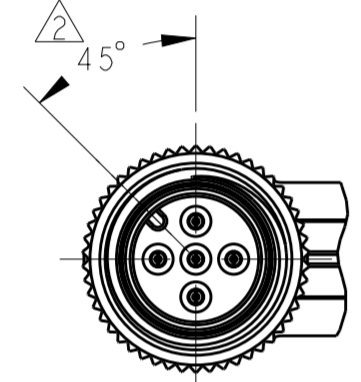
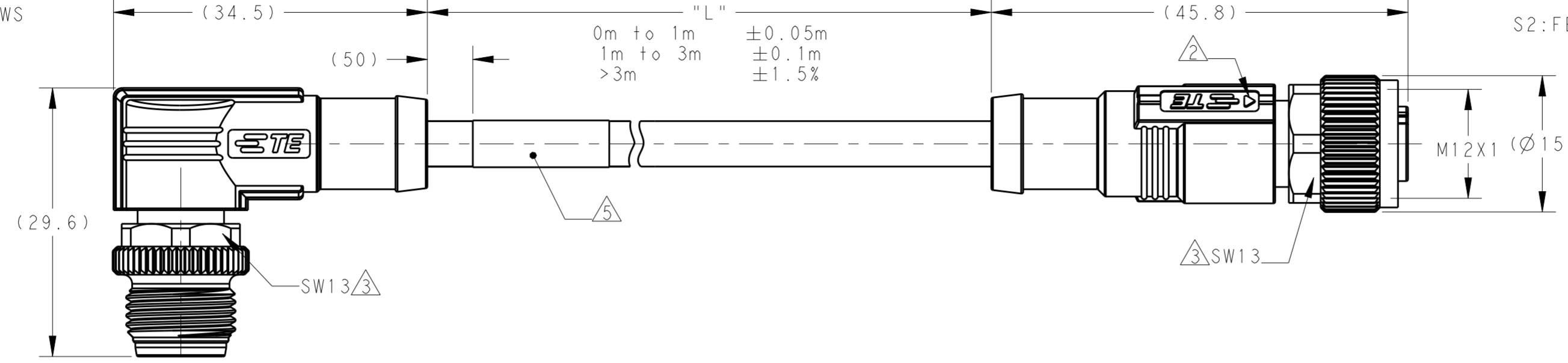
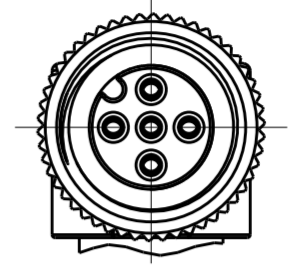
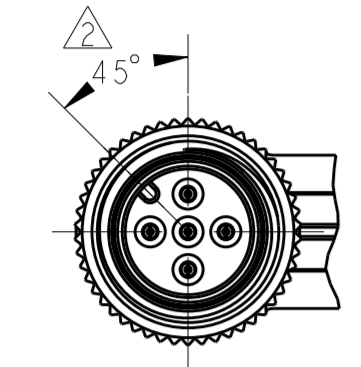


THIS DRAWING IS UNPUBLISHED. RELEASED FOR PUBLICATION 20  
 © COPYRIGHT 20 BY - ALL RIGHTS RESERVED.

REVISIONS				
P	LTR	DESCRIPTION	DATE	APVD
A		INITIAL RELEASE	17MAR2018	G.W C.W

S1: MALE SIDES FACE VIEWS

S2: FEMALE SIDES FACE VIEWS



**MALE FACE VIEW**

2-POLES	3-POLES	4-POLES	5-POLES
<b>WIRING DIAGRAM</b>			
1-BROWN 3-BLUE	1-BROWN 3-BLUE 4-BLACK	1-BROWN 2-WHITE 3-BLUE 4-BLACK	1-BROWN 2-WHITE 3-BLUE 4-BLACK 5-GRAY

**FEMALE FACE VIEW**

2-POLES	3-POLES	4-POLES	5-POLES
<b>WIRING DIAGRAM</b>			
1-BROWN 3-BLUE	1-BROWN 3-BLUE 4-BLACK	1-BROWN 2-WHITE 3-BLUE 4-BLACK	1-BROWN 2-WHITE 3-BLUE 4-BLACK 5-GRAY

TABLE 1: TECHNICAL DATA

	T4152XX002-00X	T4152XX003-00X	T4152XX004-00X	T4152XX005-00X
RATED VOLTAGE	250V		60V	
RATED CURRENT	4A			
POLLUTION DEGREE	3			
OVERVOLTAGE CATEGORY	II			
MATERIAL GROUP	II			
DEGREE OF PROTECTION	IP67			

ITEM	DESCRIPTION	MATERIAL	OTHERS
1	MALE CONTACT	COPPER ALLOY	FLASH GOLD
2	MALE HOUSING	NYLON	BLACK
3	MALE NUT	COPPER ALLOY	NICKEL PLATED
4	OVER-MOLDING	POLYURETHANE	BLUE
5	CABLE	-	-
6	LABEL	-	-
7	FEMALE NUT	COPPER ALLOY	NICKEL PLATED
8	FEMALE HOUSING	NYLON	BLACK
9	FEMALE CONTACT	COPPER ALLOY	FLASH GOLD

THIS DRAWING IS A CONTROLLED DOCUMENT.

DIMENSIONS: mm	TOLERANCES UNLESS OTHERWISE SPECIFIED:	DWN: GAVIN WANG 17MAR2018	TE Connectivity
	0 PLC ±	CHK: KEVIN HUANG 17MAR2018	
	1 PLC ±	APVD: CHRIS WANG 17MAR2018	
	2 PLC ±	PRODUCT SPEC: 108-106140	
MATERIAL	FINISH	APPLICATION SPEC: -	NAME: M12X1 MALE TO FEMALE, XP A-CODE, UNSHIELDED
CUSTOMER DRAWING		WEIGHT: -	SIZE: A2
SCALE: 2:1		SHEET: 1 OF 2	
DRAWING NO: T4152XXX0XX00X		RESTRICTED TO: A	

THIS DRAWING IS UNPUBLISHED. RELEASED FOR PUBLICATION 20  
 © COPYRIGHT 20 BY - ALL RIGHTS RESERVED.

REVISIONS				
P	LTR	DESCRIPTION	DATE	APVD
	A	INITIAL RELEASE	17MAR2018	G.W C.W

TE PN CODING:

T 4 1 5 2 X X X 0 X X - 0 0 X

THREAD M12X1  
DOUBLE ENDED  
UNSHIELDED

S1 TYPE:  
1-MALE STRAIGHT  
2-MALE 90°  
3-FEMALE STRAIGHT  
4-FEMALE 90°

S2 TYPE:  
1-MALE STRAIGHT  
2-MALE 90°  
3-FEMALE STRAIGHT  
4-FEMALE 90°

△ CABLE LENGTH:  
STANDARD:  
-001: 0.5 M  
-002: 1.0 M  
-003: 1.5 M  
-004: 3.0 M  
-005: 5.0 M  
-006: 7.0 M  
-007: 10.0 M  
CUSTOMIZATION:  
-XX0: XX.0 M  
-XX5: XX.5 M  
-99X: 0.X M

CABLE TYPE  
1-0.34mm<sup>2</sup>, PVC BLACK  
2-0.34mm<sup>2</sup>, PUR GRAY

POLES:  
02-INSERT 2 POLES  
03-INSERT 3 POLES  
04-INSERT 4 POLES  
05-INSERT 5 POLES

TE TYPE CODING:

RPC - M 1 2 - X X X - \* \* - M 1 2 - X X X - P X X

RPC SERIES

S1 CONNECTOR TYPE:  
M12X1 CONNECTOR

S1 TYPE:  
2MR-2CON, MALE 90°  
3MR-3CON, MALE 90°  
4MR-4CON, MALE 90°  
5MR-5CON, MALE 90°

CABLE LENGTH:  
0.5: 0.5M,  
1.0: 1.0M,  
1.5: 1.5M,  
3.0: 3.0M,  
5.0: 5.0M,  
7.0: 7.0M,  
10.0: 10.0M,  
...

S2 CONNECTOR TYPE:  
M12X1 CONNECTOR

S2 TYPE:  
2FS-2CON, FEMALE STRAIGHT  
3FS-3CON, FEMALE STRAIGHT  
4FS-4CON, FEMALE STRAIGHT  
5FS-5CON, FEMALE STRAIGHT  
2FR-2CON, FEMALE 90°  
3FR-3CON, FEMALE 90°  
4FR-4CON, FEMALE 90°  
5FR-5CON, FEMALE 90°

CABLE TYPE  
PVC-0.34mm<sup>2</sup>, PVC BLACK  
PUR-0.34mm<sup>2</sup>, PUR GRAY

NOTE:

- △. TECHNICAL DATA: SEE TABLE 1
- △. CODE POSITION INDICATOR
- △. RECOMMENDED TORQUE 0.6 Nm
- 4. CABLE ASSEMBLY TO BE PACKAGED IN POLYBAGS
- △. LABEL CONTAINS: PN, DATE CODE...
- △. CABLE LENGTH CODE:  
STANDARD LENGTH: 001...007  
CUSTOMIZATION LENGTH: >1.0M; XX0 OR XX5  
EXAMPLE: 3.5M: 035; 15.0M: 150...  
<1.0M; 99X  
EXAMPLE: 0.4M: 994; ...0.9M: 999

注释:

- △. 技术参数: 参考表 1
- △. CODE 位置指示
- △. 推荐扭矩 0.6 Nm
- 4. 线缆组件塑料袋包装
- △. 标签包含: 产品编号, 日期代码...
- △. 线缆长度编码:  
标准长度: 001...007  
定制长度: >1.0M; XX0 或 XX5  
例如: 3.5M: 035; 15.0M: 150...  
<1.0M; 99X  
例如: 0.4M: 994; ...0.9M: 999

CABLE TEMP. RANGE	JACKET COLOR	JACKET MATERIAL	TYPE	POS.	TE PART NUMBER
FIXED: -40°C~+80°C FLXIBLE: -25°C~+80°C	GRAY	PUR (UL)	RPC-M12-5MR-**-M12-5FS-PUR	5	T4152223005-00X
			RPC-M12-4MR-**-M12-4FS-PUR	4	T4152223004-00X
			RPC-M12-3MR-**-M12-3FS-PUR	3	T4152223003-00X
			RPC-M12-2MR-**-M12-2FS-PUR	2	T4152223002-00X
FIXED: -10°C~+80°C FLXIBLE: -5°C~+80°C	BLACK	PVC (UL)	RPC-M12-5MR-**-M12-5FS-PVC	5	T4152213005-00X
			RPC-M12-4MR-**-M12-4FS-PVC	4	T4152213004-00X
			RPC-M12-3MR-**-M12-3FS-PVC	3	T4152213003-00X
			RPC-M12-2MR-**-M12-2FS-PVC	2	T4152213002-00X
FIXED: -40°C~+80°C FLXIBLE: -25°C~+80°C	GRAY	PUR (UL)	RPC-M12-5MR-**-M12-5FR-PUR	5	T4152224005-00X
			RPC-M12-4MR-**-M12-4FR-PUR	4	T4152224004-00X
			RPC-M12-3MR-**-M12-3FR-PUR	3	T4152224003-00X
			RPC-M12-2MR-**-M12-2FR-PUR	2	T4152224002-00X
FIXED: -10°C~+80°C FLXIBLE: -5°C~+80°C	BLACK	PVC (UL)	RPC-M12-5MR-**-M12-5FR-PVC	5	T4152214005-00X
			RPC-M12-4MR-**-M12-4FR-PVC	4	T4152214004-00X
			RPC-M12-3MR-**-M12-3FR-PVC	3	T4152214003-00X
			RPC-M12-2MR-**-M12-2FR-PVC	2	T4152214002-00X

THIS DRAWING IS A CONTROLLED DOCUMENT.

DIMENSIONS: mm	TOLERANCES UNLESS OTHERWISE SPECIFIED: 0 PLC ± 1 PLC ± 2 PLC ± 3 PLC ± 4 PLC ± ANGLES ± FINISH	DWN 17MAR2018 GAVIN WANG CHK 17MAR2018 KEVIN HUANG APVD 17MAR2018 CHRIS WANG	NAME M12X1 MALE TO FEMALE, XP A-CODE, UNSHIELDED
MATERIAL		PRODUCT SPEC 108-106140	SIZE A2
		APPLICATION SPEC	CAGE CODE
		WEIGHT	DRAWING NO G-T4152XXX0XX00X
		CUSTOMER DRAWING	RESTRICTED TO
		SCALE 2:1	SHEET 2 OF 2
			REV A

STE TE Connectivity

# Mouser Electronics

Authorized Distributor

Click to View Pricing, Inventory, Delivery & Lifecycle Information:

[TE Connectivity:](#)

[T4152213002-007](#)