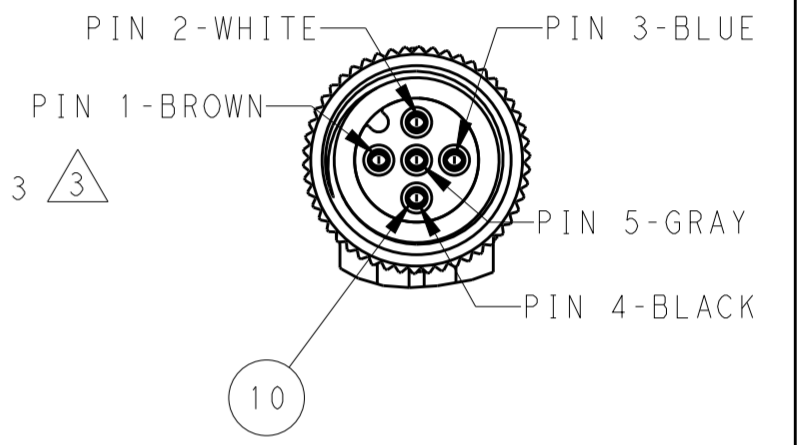
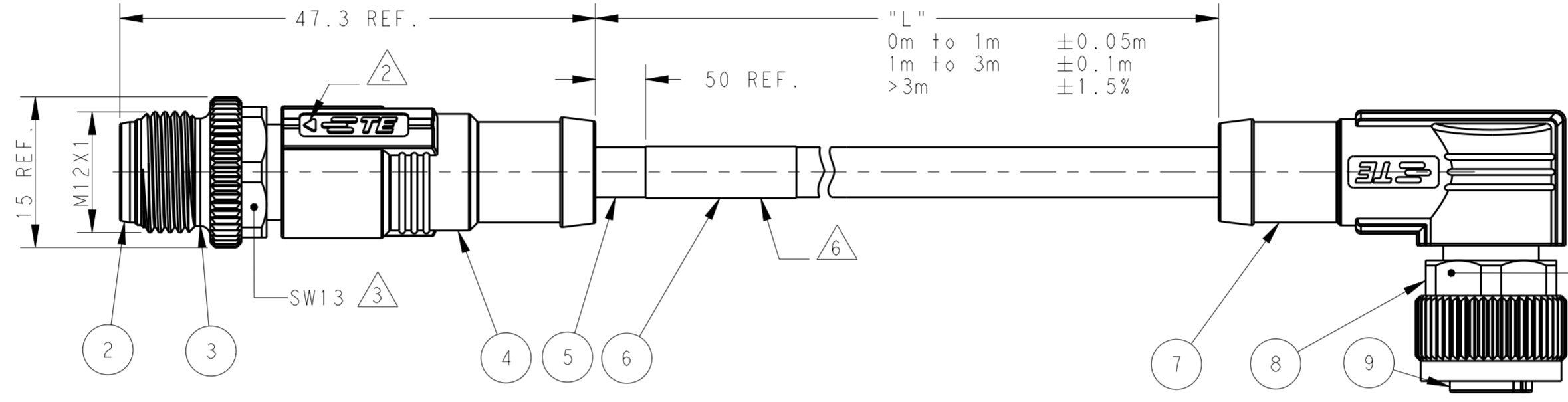
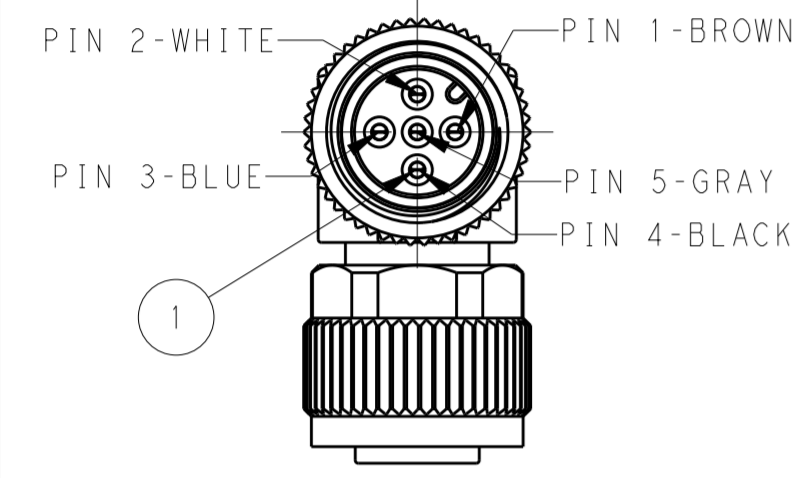
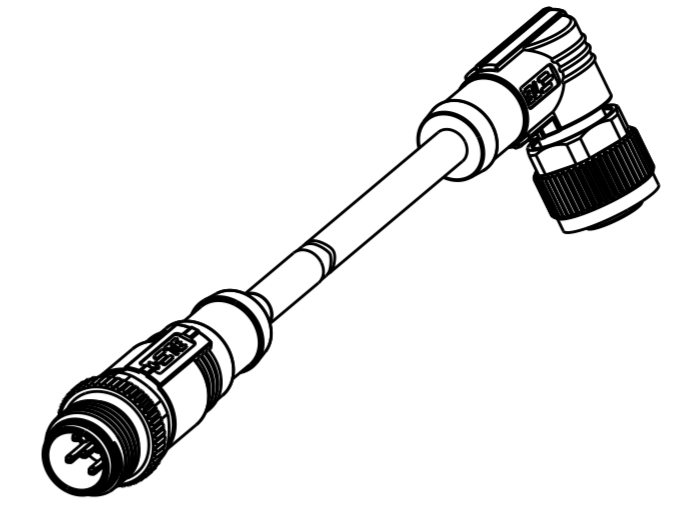


THIS DRAWING IS UNPUBLISHED. RELEASED FOR PUBLICATION 20  
 © COPYRIGHT 20 BY - ALL RIGHTS RESERVED.

ITEM	DESCRIPTION	MATERIAL	OTHERS
1	MALE CONTACT	COPPER ALLOY	FLASH GOLD
2	MALE HOUSING	NYLON	BLACK
3	MALE NUT	COPPER ALLOY	NICKEL PLATED
4	OVER-MOLDING	POLYURETHANE	BLUE
5	CABLE	-	-
6	LABEL	-	-
7	OVER-MOLDING	POLYURETHANE	BLUE
8	FEMALE NUT	COPPER ALLOY	NICKEL PLATED
9	FEMALE HOUSING	NYLON	BLACK
10	FEMALE CONTACT	COPPER ALLOY	FLASH GOLD

REVISIONS				
P	LTR	DESCRIPTION	DATE	APVD
A		INITIAL RELEASE	22SEP2019	HW XX

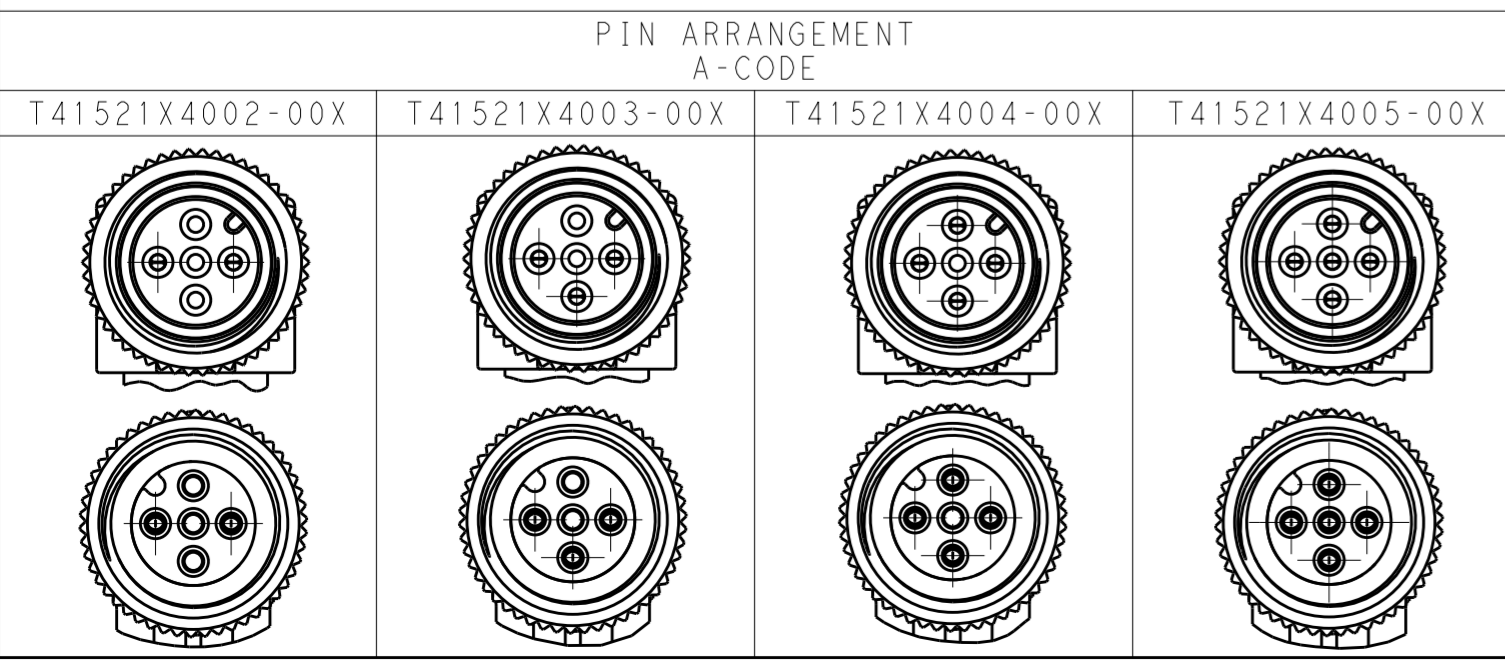


NOTE:  
 ①. TECHNICAL DATA: SEE TABLE 1  
 ②. CODE POSITION INDICATOR  
 ③. RECOMMENDED TORQUE 0.6 Nm  
 ④. -\*\* : CABLE LENGTH  
 -0.5:0.5M,  
 -1.0:1.0M,  
 -1.5:1.5M,  
 -3.0:3.0M,  
 -5.0:5.0M,  
 -7.0:7.0M,  
 -10.0:10.0M,  
 5. CABLE ASSEMBLY TO BE PACKAGED IN POLYBAGS  
 ⑥. LABEL CONTAINS: PN, DATE CODE...

注释:  
 ①. 技术参数: 参考表 1  
 ②. CODE 位置指示  
 ③. 推荐扭矩 0.6 Nm  
 ④. -\*\* : 线缆长度  
 -0.5:0.5M,  
 -1.0:1.0M,  
 -1.5:1.5M,  
 -3.0:3.0M,  
 -5.0:5.0M,  
 -7.0:7.0M,  
 -10.0:10.0M,  
 5. 线缆组件塑料袋包装  
 ⑥. 标签包含: 产品编号, 日期代码...

TABLE 1: TECHNICAL DATA	T41521X4002-00X	T41521X4003-00X	T41521X4004-00X	T41521X4005-00X
RATED VOLTAGE	250V		60V	
RATED IMPULSE VOLTAGE	2500V		1500V	
RATED CURRENT	4A			
POLLUTION DEGREE	3			
OVERVOLTAGE CATEGORY	II			
MATERIAL GROUP	II			
DEGREE OF PROTECTION	IP67			

CABLE CHARACTERISTIC	LENGTH "L"	CABLE TEMP. RANGE	JACKET COLOR	JACKET MATERIAL	TYPE		POS.	TE PN SEE LENGTH "L"
					TYPE	POS.		
WIRES: 0.34mm <sup>2</sup> (22AWG) WIRE COLOR: WH/BR/BK/BL/GR OD: APPROX.4.5MM FOR 2P/3P APPROX.5.0MM FOR 4P/5P  STANDARD: -001:0.5 M -002:1.0 M -003:1.5 M -004:3.0 M -005:5.0 M -006:7.0 M -007:10.0 M CUSTOMIZATION: -**0:**.0 M -**5:**.5 M	FIXED: -40°C~+80°C	FLXIBLE: -25°C~+80°C	GRAY	PUR (UL)	RPC-M12-5MS-***④-M12-5FR-PUR	5	T4152124005-00X	
					RPC-M12-4MS-***④-M12-4FR-PUR	4	T4152124004-00X	
					RPC-M12-3MS-***④-M12-3FR-PUR	3	T4152124003-00X	
					RPC-M12-2MS-***④-M12-2FR-PUR	2	T4152124002-00X	
					RPC-M12-5MS-***④-M12-5FR-PVC	5	T4152114005-00X	
					RPC-M12-4MS-***④-M12-4FR-PVC	4	T4152114004-00X	
	FIXED: -10°C~+80°C	FLXIBLE: -5°C~+80°C	BLACK	PVC (UL)	RPC-M12-3MS-***④-M12-3FR-PVC	3	T4152114003-00X	
					RPC-M12-2MS-***④-M12-2FR-PVC	2	T4152114002-00X	



THIS DRAWING IS A CONTROLLED DOCUMENT.

DIMENSIONS: mm	TOLERANCES UNLESS OTHERWISE SPECIFIED:	DWN HAO WANG 22SEP2016	TE Connectivity
	0 PLC ±	CHK KOBBY ZHAO 22SEP2016	
	1 PLC ±	APVD XIANG XU 22SEP2016	
	2 PLC ±	PRODUCT SPEC 108-106140	
MATERIAL	FINISH	APPLIC. SPEC	NAME M12X1 MALE STR. TO FEMALE RA A-CODE, UNSHIELDED,
		WEIGHT	SIZE A2
		CUSTOMER DRAWING	SCALE 1:1 SHEET 1 OF 1 REV A

# Mouser Electronics

Authorized Distributor

Click to View Pricing, Inventory, Delivery & Lifecycle Information:

[TE Connectivity:](#)

[T4152124002-006](#)