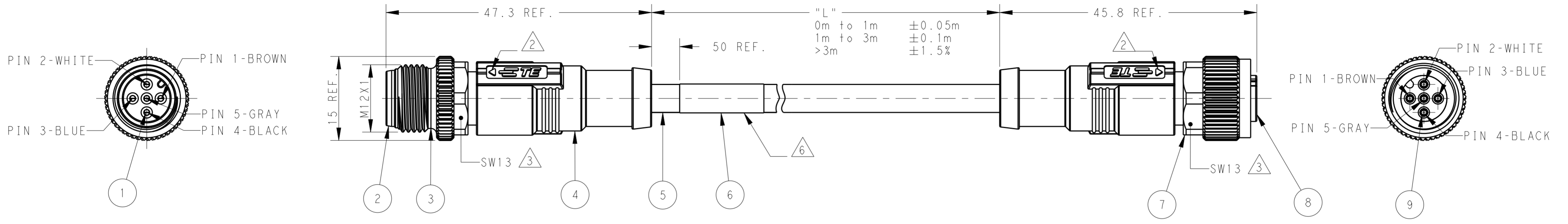


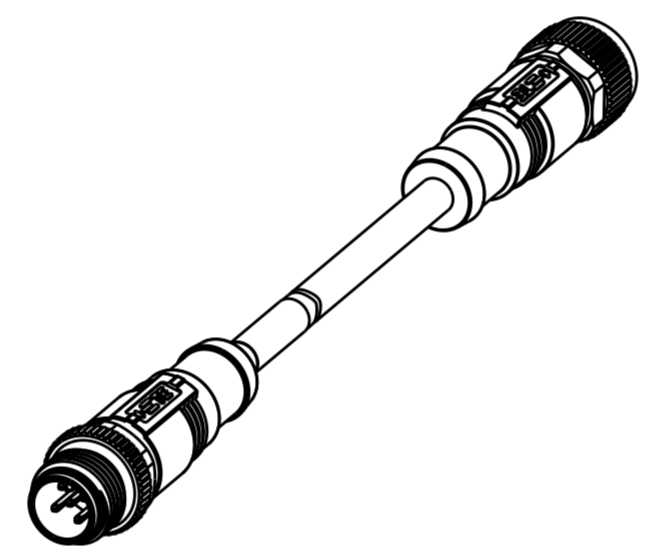
THIS DRAWING IS UNPUBLISHED. RELEASED FOR PUBLICATION 20  
 © COPYRIGHT 20 BY - ALL RIGHTS RESERVED.

REVISIONS				
P	LTR	DESCRIPTION	DATE	APVD
A		INITIAL RELEASE	22SEP2019	HW XX
A1		ECR-17-002485 ADD NEW PN	04MAR2017	BP CW
A2		ECR-17-005215 ADD NEW PN	04APR2017	GW CW



ITEM	DESCRIPTION	MATERIAL	OTHERS
1	MALE CONTACT	COPPER ALLOY	FLASH GOLD
2	MALE HOUSING	NYLON	BLACK
3	MALE NUT	COPPER ALLOY	NICKEL PLATED
4	OVER-MOLDING	POLYURETHANE	BLUE
5	CABLE	-	-
6	LABEL	-	-
7	FEMALE NUT	COPPER ALLOY	NICKEL PLATED
8	FEMALE HOUSING	NYLON	BLACK
9	FEMALE CONTACT	COPPER ALLOY	FLASH GOLD

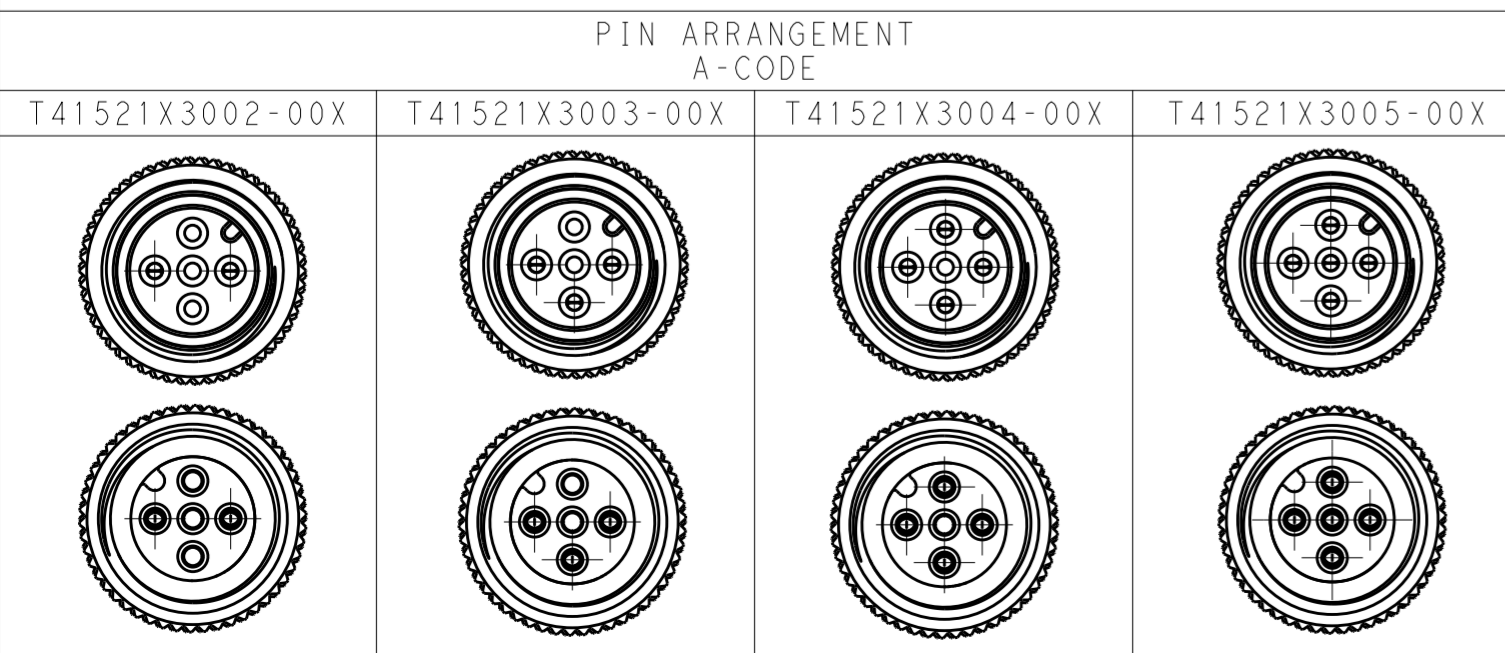
TABLE 1: TECHNICAL DATA	T41521X3002-00X	T41521X3003-00X	T41521X3004-00X	T41521X3005-00X
RATED VOLTAGE	250V		60V	
RATED IMPULSE VOLTAGE	2500V		1500V	
RATED CURRENT	4A			
POLLUTION DEGREE	3			
OVERVOLTAGE CATEGORY	II			
MATERIAL GROUP	II			
DEGREE OF PROTECTION	IP67			



NOTE:  
 ①. TECHNICAL DATA: SEE TABLE 1  
 ②. CODE POSITION INDICATOR  
 ③. RECOMMENDED TORQUE 0.6 Nm  
 ④. -\*: CABLE LENGTH  
 -0.5:0.5M,  
 -1.0:1.0M,  
 -1.5:1.5M,  
 -3.0:3.0M,  
 -5.0:5.0M,  
 -7.0:7.0M,  
 -10.0:10.0M,  
 5. CABLE ASSEMBLY TO BE PACKAGED IN POLYBAGS  
 ⑥. LABEL CONTAINS: PN, DATE CODE...  
 ⑦. -00X: FOR CABLE LENGTH, SEE TABLE 1 AND REFER TO LENGTH "L".

注释:  
 ①. 技术参数: 参考表1  
 ②. CODE位置指示  
 ③. 推荐扭矩0.6 Nm  
 ④. -\*: 线缆长度  
 -0.5:0.5M,  
 -1.0:1.0M,  
 -1.5:1.5M,  
 -3.0:3.0M,  
 -5.0:5.0M,  
 -7.0:7.0M,  
 -10.0:10.0M,  
 5. 线缆组件塑料袋包装  
 ⑥. 标签包含: 产品编号, 日期代码...  
 ⑦. -00X: 线缆长度, 参考表2, 参照长度"L"

CABLE CHARACTERISTIC	LENGTH "L"	CABLE TEMP. RANGE	JACKET COLOR	JACKET MATERIAL	TYPE	POS.	TE PN SEE LENGTH "L"
WIRES: 0.34mm <sup>2</sup> (22AWG) WIRE COLOR: WH/BR/BK/BL/GR OD: APPROX.4.5MM FOR 2P/3P APPROX.5.0MM FOR 4P/5P  STANDARD: -001:0.5 M -002:1.0 M -003:1.5 M -004:3.0 M -005:5.0 M -006:7.0 M -007:10.0 M CUSTOMIZATION: -**0:**.0 M -**5:**.5 M	FIXED: -10°C~+80°C FLXIBLE: -5°C~+80°C  FIXED: -40°C~+80°C FLXIBLE: -25°C~+80°C  FIXED: -10°C~+80°C FLXIBLE: -5°C~+80°C	GRAY	PVC (UL)	RPC-M12-5MS-**④-M12-5FS-PVC1	5	T4152173005-00X④	
				RPC-M12-4MS-**④-M12-4FS-PVC1	4	T4152173004-00X④	
				RPC-M12-3MS-**④-M12-3FS-PVC1	3	T4152173003-00X④	
				RPC-M12-2MS-**④-M12-2FS-PVC1	2	T4152173002-00X④	
		YELLOW	PUR(UL)	RPC-M12-3MS-**④-M12-3FS-PUR2	3	T4152183003-00X④	
				RPC-M12-5MS-**④-M12-5FS-PUR	5	T4152123005-00X④	
				RPC-M12-4MS-**④-M12-4FS-PUR	4	T4152123004-00X④	
				RPC-M12-3MS-**④-M12-3FS-PUR	3	T4152123003-00X④	
		GRAY	PUR (UL)	RPC-M12-2MS-**④-M12-2FS-PUR	2	T4152123002-00X④	
				RPC-M12-5MS-**④-M12-5FS-PVC	5	T4152113005-00X④	
				RPC-M12-4MS-**④-M12-4FS-PVC	4	T4152113004-00X④	
				RPC-M12-3MS-**④-M12-3FS-PVC	3	T4152113003-00X④	
BLACK	PVC (UL)	RPC-M12-2MS-**④-M12-2FS-PVC	2	T4152113002-00X④			



THIS DRAWING IS A CONTROLLED DOCUMENT.

DWN HAO WANG 22SEP2016	TE Connectivity
CHK KOBBY ZHAO 22SEP2016	
APVD XIANG XU 22SEP2016	
NAME M12X1 MALE STR. TO FEMALE STR. A-CODE, UNSHIELDED,	
DIMENSIONS: mm	PRODUCT SPEC 108-106140
TOLERANCES UNLESS OTHERWISE SPECIFIED:	APPLICATION SPEC
0 PLC ±	SIZE A2
1 PLC ±	CAGE CODE
2 PLC ±	DRAWING NO. C-T41521X30XX00X
3 PLC ±	RESTRICTED TO
4 PLC ±	SCALE 1:1
ANGLES ±	SHEET 1 OF 1
FINISH	REV A2

CUSTOMER DRAWING

# Mouser Electronics

Authorized Distributor

Click to View Pricing, Inventory, Delivery & Lifecycle Information:

[TE Connectivity:](#)

[T4152113003-001](#)