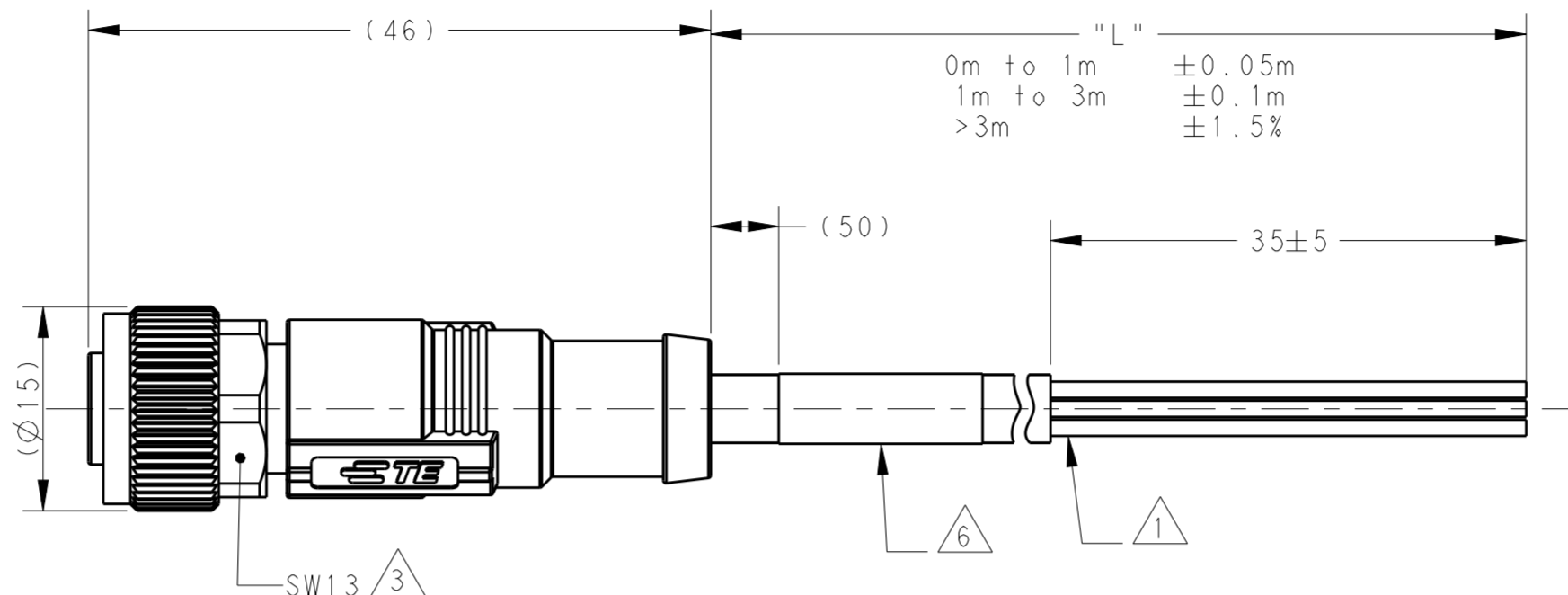
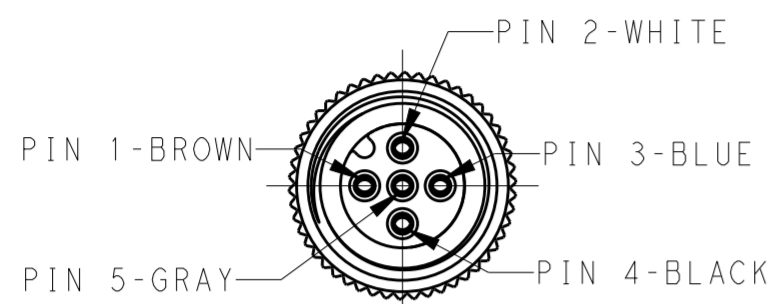


THIS DRAWING IS UNPUBLISHED. RELEASED FOR PUBLICATION 20  
 © COPYRIGHT 20 BY - ALL RIGHTS RESERVED.

ITEM	DESCRIPTION	MATERIAL	OTHERS
1	FEMALE CONTACT	COPPER ALLOY	FLASH GOLD
2	HOUSING	NYLON	BLACK
3	COUPLING NUT	COPPER ALLOY	-
4	OVER-MOLDING	POLYURETHANE	BLUE
5	CABLE	-	-
6	LABEL	-	-

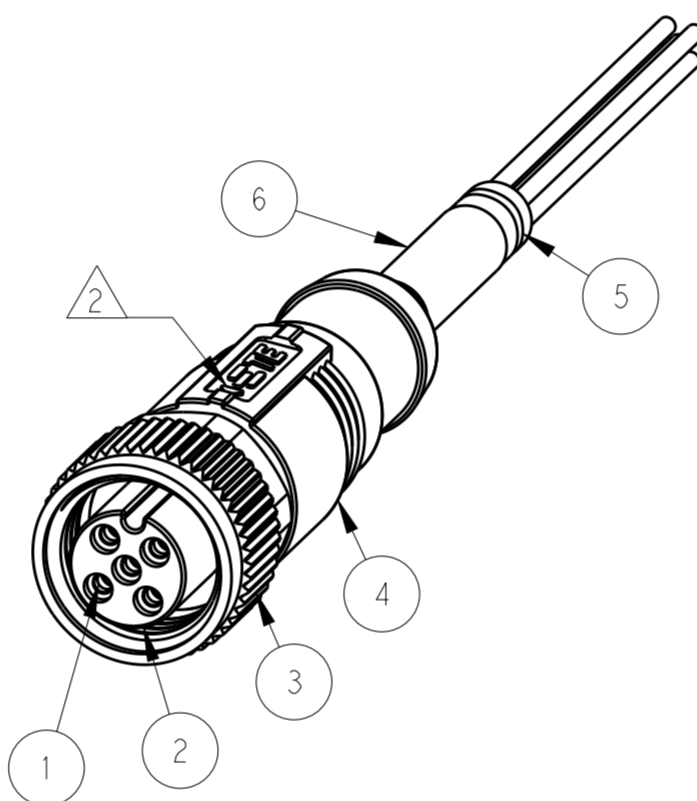


REVISIONS					
P	LTR	DESCRIPTION	DATE	DWN	APVD
	A	INITIAL RELEASE	21AUG2015	HW	XX
	A1	ECR-16-010106	14JUL2016	HW	XX
	A2	ECR-16-015173, ADD NEW PN	29OCT2016	BP	CW
	B	ECR-18-019963	28DEC2018	G.W	C.W

NOTE:

- ①. STRIP ALL THE INSULATION;
  - ②. CODE POSITION INDICATOR;
  - ③. RECOMMENDED TORQUE 0.6 Nm;
  - ④. -\*\* : CABLE LENGTH  
 -0.5:0.5M,  
 -1.0:1.0M,  
 -1.5:1.5M,  
 -3.0:3.0M,  
 -5.0:5.0M,  
 -7.0:7.0M,  
 -10.0:10.0M;
  - 5. CABLE ASSEMBLY TO BE PACKAGED IN POLYBAGS;
  - ⑥. LABEL CONTAINS: PN, DATE CODE...;
  - ⑦. -00X: FOR CABLE LENGTH, SEE TABLE E AND REFER TO LENGTH "L".
- 注释:
- ①. 全剥护套绝缘层;
  - ②. CODE位置指示;
  - ③. 推荐扭矩0.6 Nm;
  - ④. -\*\* : 线缆长度  
 -0.5:0.5M,  
 -1.0:1.0M,  
 -1.5:1.5M,  
 -3.0:3.0M,  
 -5.0:5.0M,  
 -7.0:7.0M,  
 -10.0:10.0M;
  - 5. 线缆组件塑料袋包装;
  - ⑥. 标签包含: 产品编号, 日期代码...;
  - ⑦. -00X: 线缆长度, 参考表2, 参照长度 "L".

TECHNICAL DATA	T41513X0002-00X	T41513X0003-00X	T41513X0004-00X	T41513X0005-00X
RATED VOLTAGE		250V		60V
RATED IMPULSE VOLTAGE		2500V		1500V
RATED CURRENT			4A	
POLLUTION DEGREE			3	
OVERVOLTAGE CATEGORY			II	
MATERIAL GROUP			II	
DEGREE OF PROTECTION			IP67	



PIN ARRANGEMENT A-CODE		
T41513X0002-00X	T41513X0003-00X	T41513X0004-00X
T41513X0005-00X		

WIRES	STANDARD	FIXED	JACKET COLOR	JACKET MATERIAL	TYPE	POS.	TE PN
WIRES: 0.50mm <sup>2</sup> (20AWG) WIRE COLOR: WH/BR/BK/BL/GR OD: APPROX.4.5MM FOR 2P/3P APPROX.5.0MM FOR 4P/5P	STANDARD: -001:0.5 M -002:1.0 M -003:1.5 M -004:3.0 M -005:5.0 M -006:7.0 M -007:10.0 M	FIXED: -10°C~+80°C FLXIBLE: -5°C~+80°C	BLACK	PVC (UL)	RPC-M12-FS-5CON-PVC-**S0.5④	5	T4151350005-00X⑦
					RPC-M12-FS-4CON-PVC-**S0.5④	4	T4151350004-00X⑦
					RPC-M12-FS-3CON-PVC-**S0.5④	3	T4151350003-00X⑦
					RPC-M12-FS-2CON-PVC-**S0.5④	2	T4151350002-00X⑦
					RPC-M12-FS-5CON-PUR-**④	5	T4151320005-00X⑦
					RPC-M12-FS-4CON-PUR-**④	4	T4151320004-00X⑦
					RPC-M12-FS-3CON-PUR-**④	3	T4151320003-00X⑦
					RPC-M12-FS-2CON-PUR-**④	2	T4151320002-00X⑦
					RPC-M12-FS-5CON-PVC-**④	5	T4151310005-00X⑦
					RPC-M12-FS-4CON-PVC-**④	4	T4151310004-00X⑦
					RPC-M12-FS-3CON-PVC-**④	3	T4151310003-00X⑦
					RPC-M12-FS-2CON-PVC-**④	2	T4151310002-00X⑦
CABLE CHARACTERISTIC	LENGTH "L"	CABLE TEMP. RANGE	JACKET COLOR	JACKET MATERIAL	TYPE	POS.	TE PN

WIRES: 0.50mm<sup>2</sup>(20AWG)  
WIRE COLOR: WH/BR/BK/BL/GR  
OD: APPROX.4.5MM FOR 2P/3P  
APPROX.5.0MM FOR 4P/5P

STANDARD:  
-001:0.5 M  
-002:1.0 M  
-003:1.5 M  
-004:3.0 M  
-005:5.0 M  
-006:7.0 M  
-007:10.0 M

WIRES: 0.34mm<sup>2</sup>(22AWG)  
WIRE COLOR: WH/BR/BK/BL/GR  
OD: APPROX.4.5MM FOR 2P/3P  
APPROX.5.5MM FOR 4P/5P

CUSTOMIZATION:  
-XX0:XX.0 M  
-XX5:XX.5 M  
-99X:0.X M

THIS DRAWING IS A CONTROLLED DOCUMENT.

DIMENSIONS:	TOLERANCES UNLESS OTHERWISE SPECIFIED:
mm	0 PLC ± 1 PLC ± 2 PLC ± 3 PLC ± 4 PLC ± ANGLES ± FINISH
MATERIAL	-

DWN HAO WANG 11AUG2015	TE Connectivity	NAME M12X1 STRAIGHT RECEPTACLE, FREE END A-CODE, UNSHIELDED,
CHK KOBBY ZHAO 11AUG2015		
APVD XIANG XU 11AUG2015		
PRODUCT SPEC 108-106140		
APPLICATION SPEC	SIZE A2	CAGE CODE
WEIGHT	SCALE 1:1	DRAWING NO
CUSTOMER DRAWING	SHEET 1 OF 1	REV B

# Mouser Electronics

Authorized Distributor

Click to View Pricing, Inventory, Delivery & Lifecycle Information:

[TE Connectivity:](#)

[T4151310002-003](#)