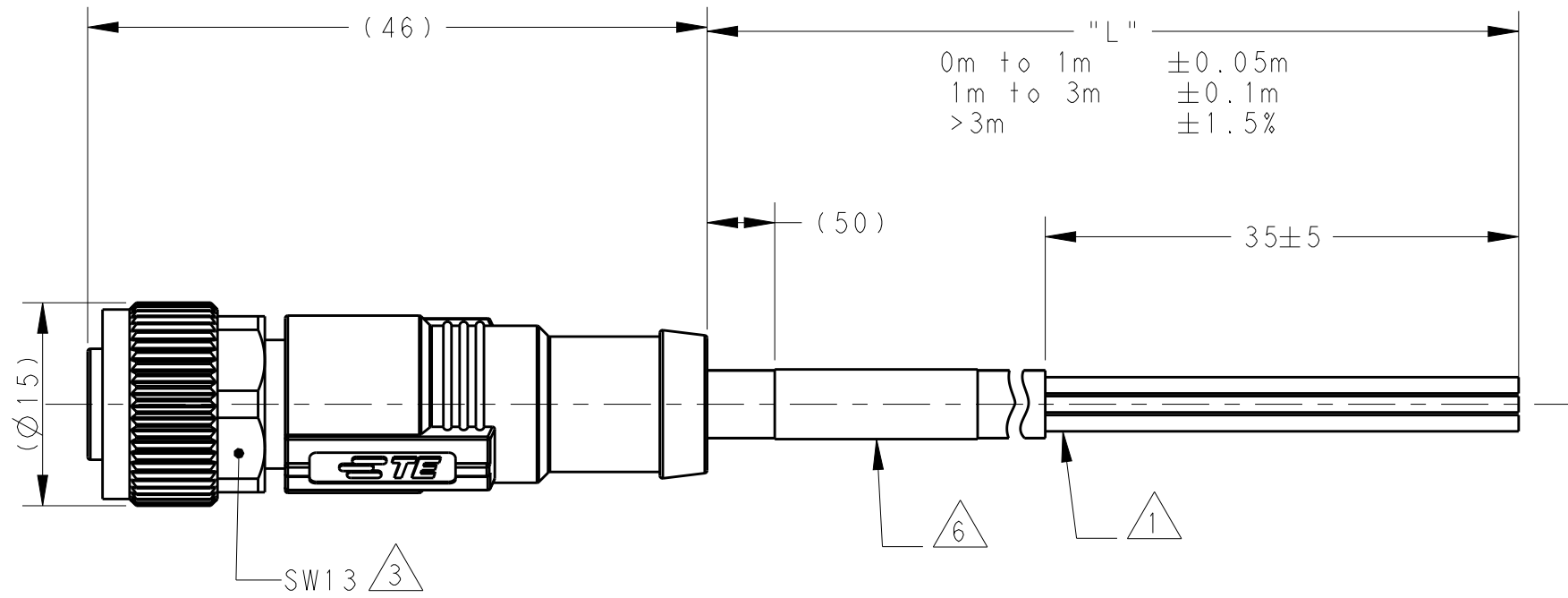
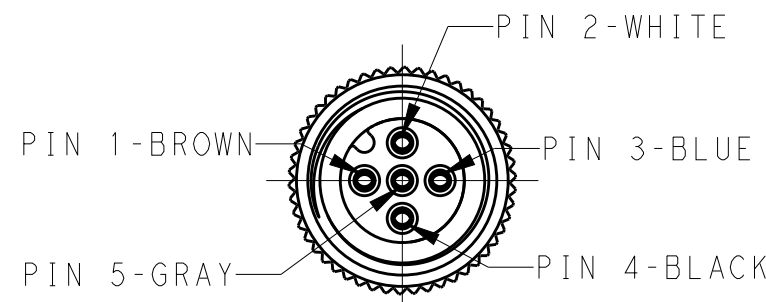


THIS DRAWING IS UNPUBLISHED. RELEASED FOR PUBLICATION 20  
 © COPYRIGHT 20 BY - ALL RIGHTS RESERVED.

ITEM	DESCRIPTION	MATERIAL	OTHERS
1	FEMALE CONTACT	COPPER ALLOY	FLASH GOLD
2	HOUSING	NYLON	BLACK
3	COUPLING NUT	COPPER ALLOY	-
4	OVER-MOLDING	POLYURETHANE	BLUE
5	CABLE	-	-
6	LABEL	-	-

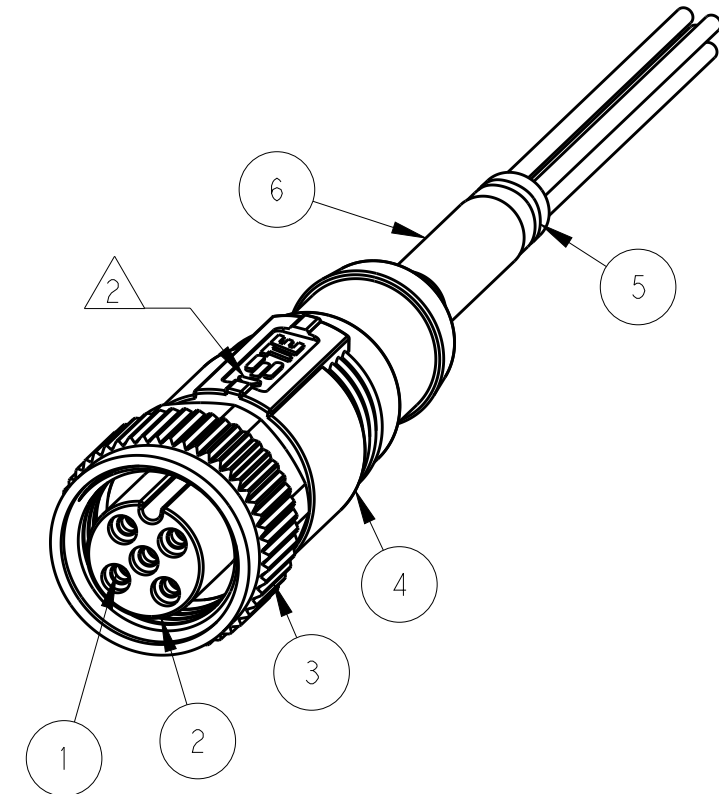


REVISIONS				
P	LTR	DESCRIPTION	DATE	APVD
	A	INITIAL RELEASE	21AUG2015	HW XX
	A1	ECR-16-010106	14JUL2016	HW XX
	A2	ECR-16-015173, ADD NEW PN	29OCT2016	BP CW
	B	ECR-18-019963	28DEC2018	G.W C.W

NOTE:  
 ①. STRIP ALL THE INSULATION;  
 ②. CODE POSITION INDICATOR;  
 ③. RECOMMENDED TORQUE 0.6 Nm;  
 ④. -\*\* : CABLE LENGTH  
 -0.5:0.5M,  
 -1.0:1.0M,  
 -1.5:1.5M,  
 -3.0:3.0M,  
 -5.0:5.0M,  
 -7.0:7.0M,  
 -10.0:10.0M;  
 5. CABLE ASSEMBLY TO BE PACKAGED IN POLYBAGS;  
 ⑥. LABEL CONTAINS: PN, DATE CODE...;  
 ⑦. -00X: FOR CABLE LENGTH, SEE TABLE E AND REFER TO LENGTH "L".

注释:  
 ①. 全剥护套绝缘层;  
 ②. CODE位置指示;  
 ③. 推荐扭矩0.6 Nm;  
 ④. -\*\* : 线缆长度  
 -0.5:0.5M,  
 -1.0:1.0M,  
 -1.5:1.5M,  
 -3.0:3.0M,  
 -5.0:5.0M,  
 -7.0:7.0M,  
 -10.0:10.0M;  
 5. 线缆组件塑料袋包装;  
 ⑥. 标签包含: 产品编号, 日期代码...;  
 ⑦. -00X: 线缆长度, 参考表2, 参照长度 "L".

TECHNICAL DATA	T41513X0002-00X	T41513X0003-00X	T41513X0004-00X	T41513X0005-00X
RATED VOLTAGE		250V		60V
RATED IMPULSE VOLTAGE		2500V		1500V
RATED CURRENT		4A		
POLLUTION DEGREE		3		
OVERVOLTAGE CATEGORY		II		
MATERIAL GROUP		II		
DEGREE OF PROTECTION		IP67		



PIN ARRANGEMENT A-CODE		
T41513X0002-00X	T41513X0003-00X	T41513X0004-00X
T41513X0005-00X		

WIRES	STANDARD	FIXED	FLXIBLE	JACKET COLOR	JACKET MATERIAL	TYPE	POS.	TE PN
WIRES: 0.50mm <sup>2</sup> (20AWG) WIRE COLOR: WH/BR/BK/BL/GR OD: APPROX.4.5MM FOR 2P/3P APPROX.5.0MM FOR 4P/5P	STANDARD: -001:0.5 M -002:1.0 M -003:1.5 M -004:3.0 M -005:5.0 M -006:7.0 M -007:10.0 M	FIXED: -10°C~+80°C	FLXIBLE: -5°C~+80°C	BLACK	PVC (UL)	RPC-M12-FS-5CON-PVC-**S0.5④	5	T4151350005-00X⑦
						RPC-M12-FS-4CON-PVC-**S0.5④	4	T4151350004-00X⑦
						RPC-M12-FS-3CON-PVC-**S0.5④	3	T4151350003-00X⑦
						RPC-M12-FS-2CON-PVC-**S0.5④	2	T4151350002-00X⑦
						RPC-M12-FS-5CON-PUR-**④	5	T4151320005-00X⑦
						RPC-M12-FS-4CON-PUR-**④	4	T4151320004-00X⑦
						RPC-M12-FS-3CON-PUR-**④	3	T4151320003-00X⑦
						RPC-M12-FS-2CON-PUR-**④	2	T4151320002-00X⑦
						RPC-M12-FS-5CON-PVC-**④	5	T4151310005-00X⑦
						RPC-M12-FS-4CON-PVC-**④	4	T4151310004-00X⑦
						RPC-M12-FS-3CON-PVC-**④	3	T4151310003-00X⑦
						RPC-M12-FS-2CON-PVC-**④	2	T4151310002-00X⑦
CABLE CHARACTERISTIC	LENGTH "L"	CABLE TEMP. RANGE	JACKET COLOR	JACKET MATERIAL	TYPE	POS.	TE PN	

WIRES: 0.50mm<sup>2</sup>(20AWG)  
 WIRE COLOR: WH/BR/BK/BL/GR  
 OD: APPROX.4.5MM FOR 2P/3P  
 APPROX.5.0MM FOR 4P/5P

WIRES: 0.34mm<sup>2</sup>(22AWG)  
 WIRE COLOR: WH/BR/BK/BL/GR  
 OD: APPROX.4.5MM FOR 2P/3P  
 APPROX.5.5MM FOR 4P/5P

STANDARD:  
 -001:0.5 M  
 -002:1.0 M  
 -003:1.5 M  
 -004:3.0 M  
 -005:5.0 M  
 -006:7.0 M  
 -007:10.0 M

CUSTOMIZATION:  
 -XX0:XX.0 M  
 -XX5:XX.5 M  
 -99X:0.X M

FIXED:  
 -10°C~+80°C

FLXIBLE:  
 -5°C~+80°C

FIXED:  
 -40°C~+80°C

FLXIBLE:  
 -25°C~+80°C

FIXED:  
 -10°C~+80°C

FLXIBLE:  
 -5°C~+80°C

THIS DRAWING IS A CONTROLLED DOCUMENT.

DWN: HAO WANG 11AUG2015  
 CHK: KOBBY ZHAO 11AUG2015  
 APVD: XIANG XU 11AUG2015

PRODUCT SPEC: 108-106140  
 APPLICATION SPEC: -

WEIGHT: -

CUSTOMER DRAWING

SCALE: 1:1 SHEET 1 OF 1 REV B

NAME: M12X1 STRAIGHT RECEPTACLE, FREE END A-CODE, UNSHIELDED,  
 SIZE: A2 CAGE CODE: - DRAWING NO: C-T41513X00XX00X

RESTRICTED TO

# Mouser Electronics

Authorized Distributor

Click to View Pricing, Inventory, Delivery & Lifecycle Information:

[TE Connectivity:](#)

[T4151310004-002](#)