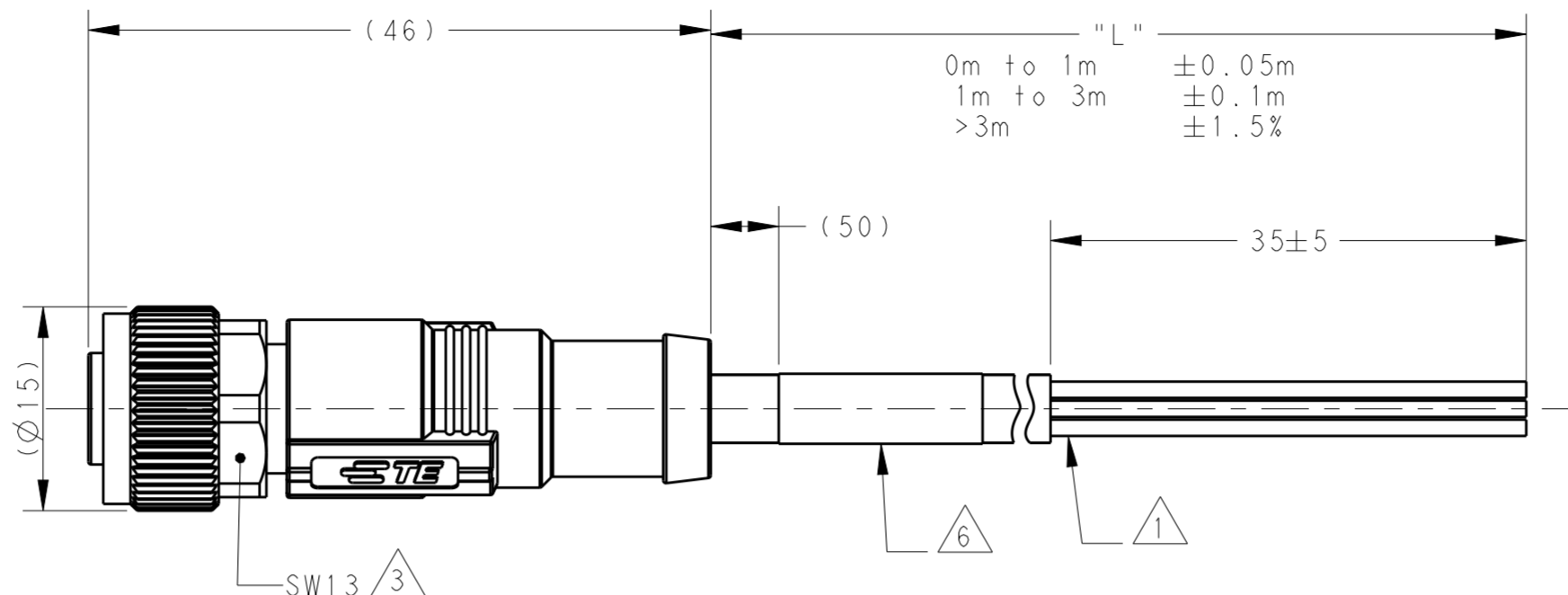
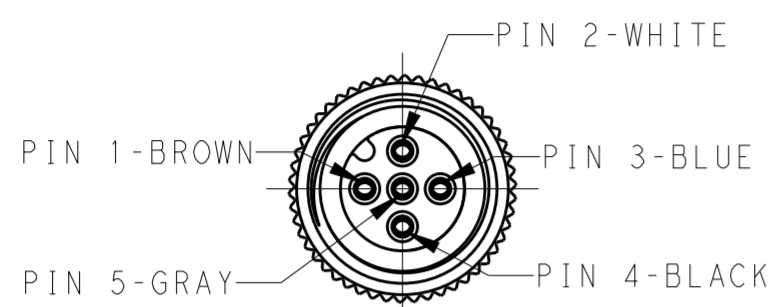


THIS DRAWING IS UNPUBLISHED. RELEASED FOR PUBLICATION 20
 © COPYRIGHT 20 BY - ALL RIGHTS RESERVED.

| ITEM | DESCRIPTION | MATERIAL | OTHERS |
|------|----------------|--------------|------------|
| 1 | FEMALE CONTACT | COPPER ALLOY | FLASH GOLD |
| 2 | HOUSING | NYLON | BLACK |
| 3 | COUPLING NUT | COPPER ALLOY | - |
| 4 | OVER-MOLDING | POLYURETHANE | BLUE |
| 5 | CABLE | - | - |
| 6 | LABEL | - | - |



| REVISIONS | | | | | |
|-----------|-----|---------------------------|-----------|-----|------|
| P | LTR | DESCRIPTION | DATE | DWN | APVD |
| | A | INITIAL RELEASE | 21AUG2015 | HW | XX |
| | A1 | ECR-16-010106 | 14JUL2016 | HW | XX |
| | A2 | ECR-16-015173, ADD NEW PN | 29OCT2016 | BP | CW |
| | B | ECR-18-019963 | 28DEC2018 | G.W | C.W |

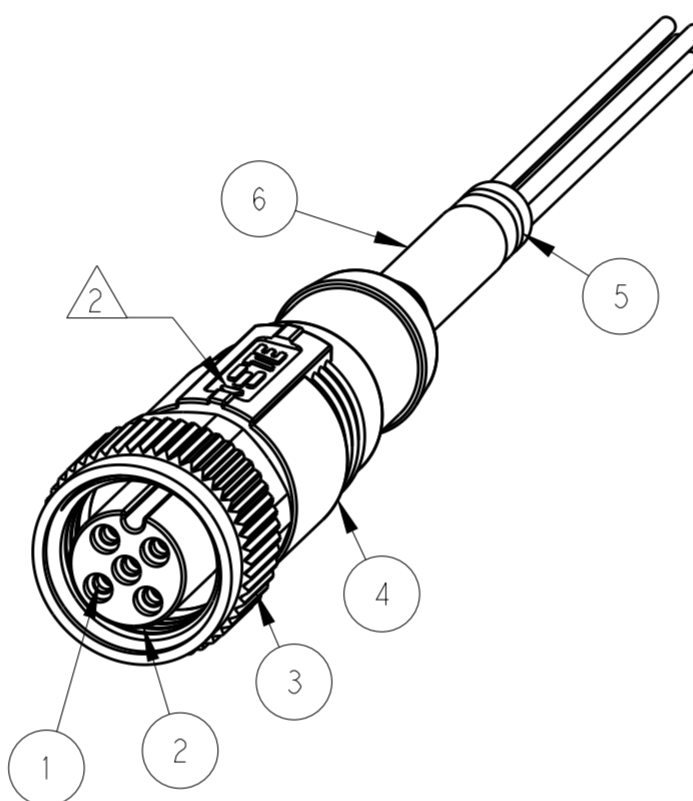
NOTE:

- ①. STRIP ALL THE INSULATION;
- ②. CODE POSITION INDICATOR;
- ③. RECOMMENDED TORQUE 0.6 Nm;
- ④. -** : CABLE LENGTH
 -0.5:0.5M,
 -1.0:1.0M,
 -1.5:1.5M,
 -3.0:3.0M,
 -5.0:5.0M,
 -7.0:7.0M,
 -10.0:10.0M;
- 5. CABLE ASSEMBLY TO BE PACKAGED IN POLYBAGS;
- ⑥. LABEL CONTAINS: PN, DATE CODE...;
- ⑦. -00X: FOR CABLE LENGTH, SEE TABLE E AND REFER TO LENGTH "L".

注释:

- ①. 全剥护套绝缘层;
- ②. CODE位置指示;
- ③. 推荐扭矩0.6 Nm;
- ④. -** : 线缆长度
 -0.5:0.5M,
 -1.0:1.0M,
 -1.5:1.5M,
 -3.0:3.0M,
 -5.0:5.0M,
 -7.0:7.0M,
 -10.0:10.0M;
- 5. 线缆组件塑料袋包装;
- ⑥. 标签包含: 产品编号, 日期代码...;
- ⑦. -00X: 线缆长度, 参考表2, 参照长度 "L".

| TECHNICAL DATA | T41513X0002-00X | T41513X0003-00X | T41513X0004-00X | T41513X0005-00X |
|-----------------------|-----------------|-----------------|-----------------|-----------------|
| RATED VOLTAGE | | 250V | | 60V |
| RATED IMPULSE VOLTAGE | | 2500V | | 1500V |
| RATED CURRENT | | 4A | | |
| POLLUTION DEGREE | | 3 | | |
| OVERVOLTAGE CATEGORY | | II | | |
| MATERIAL GROUP | | II | | |
| DEGREE OF PROTECTION | | IP67 | | |



| PIN ARRANGEMENT A-CODE | | |
|------------------------|-----------------|-----------------|
| T41513X0002-00X | T41513X0003-00X | T41513X0004-00X |
| | | |
| T41513X0005-00X | | |
| | | |

| | | | | | | | |
|--|--|-------------------------|--------------|-----------------|-----------------------------|------|------------------|
| WIRES: 0.50mm ² (20AWG) WIRE COLOR: WH/BR/BK/BL/GR OD: APPROX.4.5MM FOR 2P/3P APPROX.5.0MM FOR 4P/5P | STANDARD: -001:0.5 M -002:1.0 M -003:1.5 M -004:3.0 M -005:5.0 M -006:7.0 M -007:10.0 M | FIXED: -10°C~+80°C | BLACK | PVC (UL) | RPC-M12-FS-5CON-PVC-**S0.5④ | 5 | T4151350005-00X⑦ |
| | | FLXIBLE: -5°C~+80°C | | | RPC-M12-FS-4CON-PVC-**S0.5④ | 4 | T4151350004-00X⑦ |
| WIRES: 0.34mm ² (22AWG) WIRE COLOR: WH/BR/BK/BL/GR OD: APPROX.4.5MM FOR 2P/3P APPROX.5.5MM FOR 4P/5P | CUSTOMIZATION: -XX0:XX.0 M -XX5:XX.5 M -99X:0.X M | FIXED: -40°C~+80°C | GRAY | PUR (UL) | RPC-M12-FS-3CON-PVC-**S0.5④ | 3 | T4151350003-00X⑦ |
| | | FLXIBLE: -25°C~+80°C | | | RPC-M12-FS-2CON-PVC-**S0.5④ | 2 | T4151350002-00X⑦ |
| CABLE CHARACTERISTIC | LENGTH "L" | FIXED: -10°C~+80°C | BLACK | PVC (UL) | RPC-M12-FS-5CON-PUR-**④ | 5 | T4151320005-00X⑦ |
| | | FLXIBLE: -5°C~+80°C | | | RPC-M12-FS-4CON-PUR-**④ | 4 | T4151320004-00X⑦ |
| | | FIXED: -10°C~+80°C | BLACK | PVC (UL) | RPC-M12-FS-3CON-PUR-**④ | 3 | T4151320003-00X⑦ |
| | | FLXIBLE: -5°C~+80°C | | | RPC-M12-FS-2CON-PUR-**④ | 2 | T4151320002-00X⑦ |
| | | FIXED: -10°C~+80°C | BLACK | PVC (UL) | RPC-M12-FS-5CON-PVC-**④ | 5 | T4151310005-00X⑦ |
| | | FLXIBLE: -5°C~+80°C | | | RPC-M12-FS-4CON-PVC-**④ | 4 | T4151310004-00X⑦ |
| | | | | | RPC-M12-FS-3CON-PVC-**④ | 3 | T4151310003-00X⑦ |
| | | | | | RPC-M12-FS-2CON-PVC-**④ | 2 | T4151310002-00X⑦ |
| | | CABLE TEMP. RANGE | JACKET COLOR | JACKET MATERIAL | TYPE | POS. | TE PN |

THIS DRAWING IS A CONTROLLED DOCUMENT.

| | | | |
|----------------|---|--|------------------------------|
| DIMENSIONS: mm | TOLERANCES UNLESS OTHERWISE SPECIFIED: | DWN HAO WANG 11AUG2015 | TE Connectivity |
| | 0 PLC ± 1 PLC ± 2 PLC ± 3 PLC ± 4 PLC ± | CHK KOBBY ZHAO 11AUG2015 | |
| MATERIAL | ANGLES ± FINISH | APVD XIANG XU 11AUG2015 | |
| | | NAME M12X1 STRAIGHT RECEPTACLE, FREE END A-CODE, UNSHIELDED, | |
| | | PRODUCT SPEC 108-106140 | SIZE A2 |
| | | APPLICATION SPEC | CAGE CODE |
| | | WEIGHT | DRAWING NO. C-T41513X00XX00X |
| | | CUSTOMER DRAWING | RESTRICTED TO |
| | | SCALE 1:1 | SHEET 1 OF 1 |
| | | | REV B |

Mouser Electronics

Authorized Distributor

Click to View Pricing, Inventory, Delivery & Lifecycle Information:

[TE Connectivity:](#)

[T4151320002-005](#)