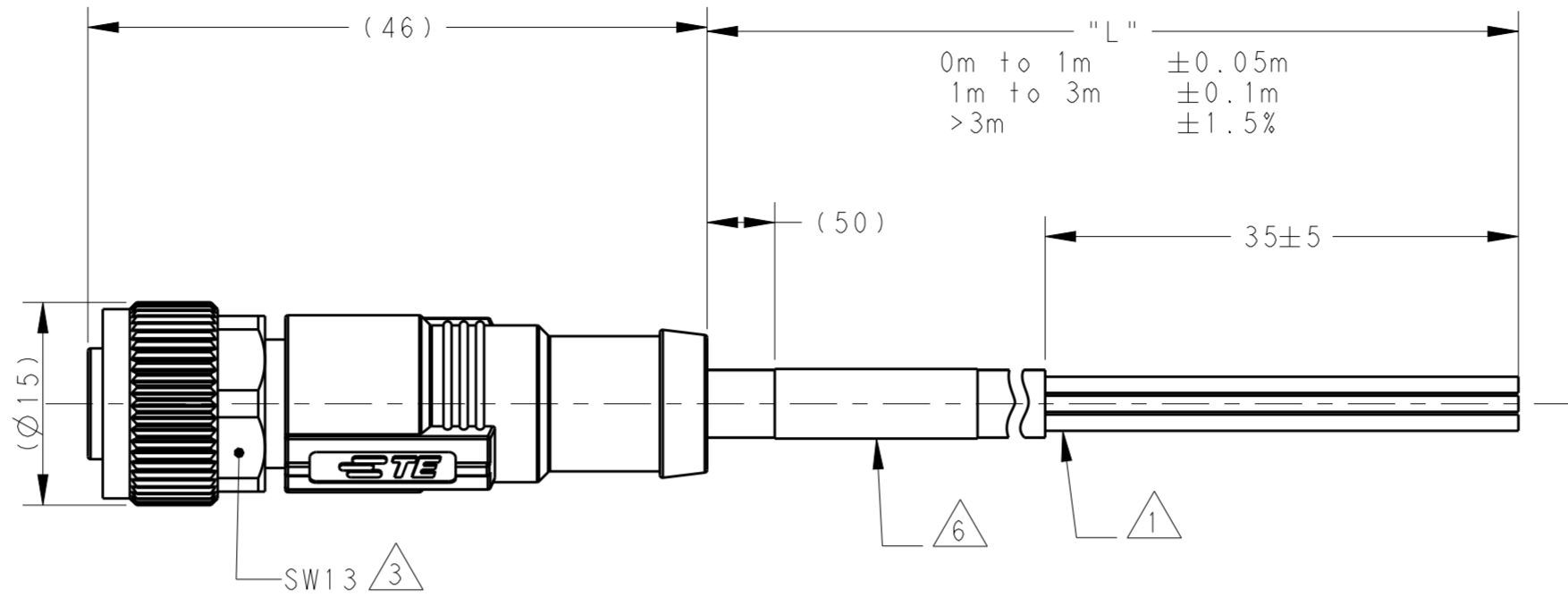
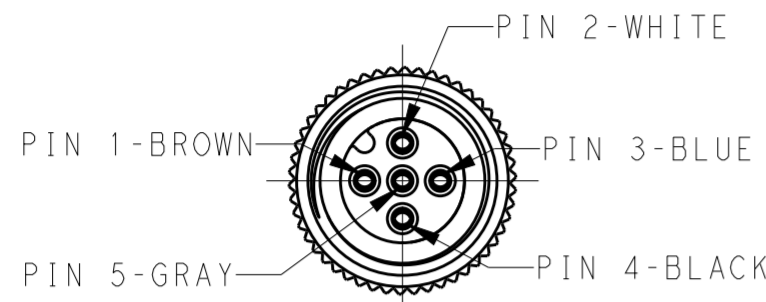


THIS DRAWING IS UNPUBLISHED. RELEASED FOR PUBLICATION 20  
 © COPYRIGHT 20 BY - ALL RIGHTS RESERVED.

| ITEM | DESCRIPTION    | MATERIAL     | OTHERS     |
|------|----------------|--------------|------------|
| 1    | FEMALE CONTACT | COPPER ALLOY | FLASH GOLD |
| 2    | HOUSING        | NYLON        | BLACK      |
| 3    | COUPLING NUT   | COPPER ALLOY | -          |
| 4    | OVER-MOLDING   | POLYURETHANE | BLUE       |
| 5    | CABLE          | -            | -          |
| 6    | LABEL          | -            | -          |

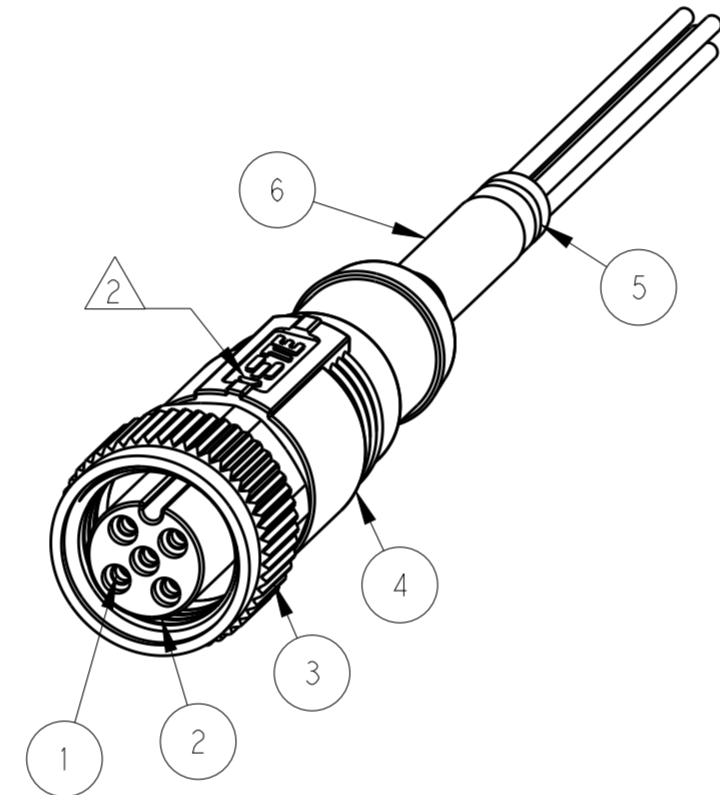


| REVISIONS |     |                           |           |         |
|-----------|-----|---------------------------|-----------|---------|
| P         | LTR | DESCRIPTION               | DATE      | APVD    |
|           | A   | INITIAL RELEASE           | 21AUG2015 | HW XX   |
|           | A1  | ECR-16-010106             | 14JUL2016 | HW XX   |
|           | A2  | ECR-16-015173, ADD NEW PN | 29OCT2016 | BP CW   |
|           | B   | ECR-18-019963             | 28DEC2018 | G.W C.W |

NOTE:  
 ①. STRIP ALL THE INSULATION;  
 ②. CODE POSITION INDICATOR;  
 ③. RECOMMENDED TORQUE 0.6 Nm;  
 ④. -\*\* : CABLE LENGTH  
 -0.5:0.5M,  
 -1.0:1.0M,  
 -1.5:1.5M,  
 -3.0:3.0M,  
 -5.0:5.0M,  
 -7.0:7.0M,  
 -10.0:10.0M;  
 5. CABLE ASSEMBLY TO BE PACKAGED IN POLYBAGS;  
 ⑥. LABEL CONTAINS: PN, DATE CODE...;  
 ⑦. -00X: FOR CABLE LENGTH, SEE TABLE E AND REFER TO LENGTH "L".

注释:  
 ①. 全剥护套绝缘层;  
 ②. CODE位置指示;  
 ③. 推荐扭矩0.6 Nm;  
 ④. -\*\* : 线缆长度  
 -0.5:0.5M,  
 -1.0:1.0M,  
 -1.5:1.5M,  
 -3.0:3.0M,  
 -5.0:5.0M,  
 -7.0:7.0M,  
 -10.0:10.0M;  
 5. 线缆组件塑料袋包装;  
 ⑥. 标签包含: 产品编号, 日期代码...;  
 ⑦. -00X: 线缆长度, 参考表2, 参照长度 "L".

| TECHNICAL DATA        | T41513X0002-00X | T41513X0003-00X | T41513X0004-00X | T41513X0005-00X |
|-----------------------|-----------------|-----------------|-----------------|-----------------|
| RATED VOLTAGE         |                 | 250V            |                 | 60V             |
| RATED IMPULSE VOLTAGE |                 | 2500V           |                 | 1500V           |
| RATED CURRENT         |                 | 4A              |                 |                 |
| POLLUTION DEGREE      |                 | 3               |                 |                 |
| OVERVOLTAGE CATEGORY  |                 | II              |                 |                 |
| MATERIAL GROUP        |                 | II              |                 |                 |
| DEGREE OF PROTECTION  |                 | IP67            |                 |                 |



| PIN ARRANGEMENT A-CODE |                 |                 |
|------------------------|-----------------|-----------------|
| T41513X0002-00X        | T41513X0003-00X | T41513X0004-00X |
|                        |                 |                 |
| T41513X0005-00X        |                 |                 |
|                        |                 |                 |

| WIRES  | STANDARD   | FIXED                 | FLXIBLE                | JACKET COLOR | JACKET MATERIAL | TYPE                        | POS. | TE PN            |
|--|--|-----------------------|------------------------|--------------|-----------------|-----------------------------|------|------------------|
| WIRES: 0.50mm <sup>2</sup> (20AWG)<br>WIRE COLOR: WH/BR/BK/BL/GR<br>OD: APPROX.4.5MM FOR 2P/3P<br>APPROX.5.0MM FOR 4P/5P | STANDARD:<br>-001:0.5 M<br>-002:1.0 M<br>-003:1.5 M<br>-004:3.0 M<br>-005:5.0 M<br>-006:7.0 M<br>-007:10.0 M | FIXED:<br>-10°C~+80°C | FLXIBLE:<br>-5°C~+80°C | BLACK        | PVC (UL)        | RPC-M12-FS-5CON-PVC-**S0.5④ | 5    | T4151350005-00X⑦ |
|  |  |                       |                        |              |                 | RPC-M12-FS-4CON-PVC-**S0.5④ | 4    | T4151350004-00X⑦ |
|  |  |                       |                        |              |                 | RPC-M12-FS-3CON-PVC-**S0.5④ | 3    | T4151350003-00X⑦ |
|  |  |                       |                        |              |                 | RPC-M12-FS-2CON-PVC-**S0.5④ | 2    | T4151350002-00X⑦ |
|  |  |                       |                        |              |                 | RPC-M12-FS-5CON-PUR-**④     | 5    | T4151320005-00X⑦ |
|  |  |                       |                        |              |                 | RPC-M12-FS-4CON-PUR-**④     | 4    | T4151320004-00X⑦ |
|  |  |                       |                        |              |                 | RPC-M12-FS-3CON-PUR-**④     | 3    | T4151320003-00X⑦ |
|  |  |                       |                        |              |                 | RPC-M12-FS-2CON-PUR-**④     | 2    | T4151320002-00X⑦ |
|  |  |                       |                        |              |                 | RPC-M12-FS-5CON-PVC-**④     | 5    | T4151310005-00X⑦ |
|  |  |                       |                        |              |                 | RPC-M12-FS-4CON-PVC-**④     | 4    | T4151310004-00X⑦ |
|  |  |                       |                        |              |                 | RPC-M12-FS-3CON-PVC-**④     | 3    | T4151310003-00X⑦ |
|  |  |                       |                        |              |                 | RPC-M12-FS-2CON-PVC-**④     | 2    | T4151310002-00X⑦ |
| CABLE CHARACTERISTIC   | LENGTH "L"   | CABLE TEMP. RANGE     |                        | JACKET COLOR | JACKET MATERIAL |                             |      |                  |

WIRES: 0.50mm<sup>2</sup>(20AWG)  
 WIRE COLOR: WH/BR/BK/BL/GR  
 OD: APPROX.4.5MM FOR 2P/3P  
 APPROX.5.0MM FOR 4P/5P

WIRES: 0.34mm<sup>2</sup>(22AWG)  
 WIRE COLOR: WH/BR/BK/BL/GR  
 OD: APPROX.4.5MM FOR 2P/3P  
 APPROX.5.5MM FOR 4P/5P

STANDARD:  
 -001:0.5 M  
 -002:1.0 M  
 -003:1.5 M  
 -004:3.0 M  
 -005:5.0 M  
 -006:7.0 M  
 -007:10.0 M

CUSTOMIZATION:  
 -XX0:XX.0 M  
 -XX5:XX.5 M  
 -99X:0.X M

THIS DRAWING IS A CONTROLLED DOCUMENT.

|                |  |  |                              |
|----------------|--|--|------------------------------|
| DIMENSIONS: mm | TOLERANCES UNLESS OTHERWISE SPECIFIED: | DWN HAO WANG 11AUG2015                                       | TE Connectivity              |
|                |  | CHK KOBBY ZHAO 11AUG2015                                     |                              |
|                |  | APVD XIANG XU 11AUG2015                                      |                              |
|                |  | NAME M12X1 STRAIGHT RECEPTACLE, FREE END A-CODE, UNSHIELDED, |                              |
| MATERIAL       |  | PRODUCT SPEC 108-106140                                      | SIZE A2                      |
|                |  | APPLICATION SPEC   | CAGE CODE                    |
|                |  | WEIGHT   | DRAWING NO. C-T41513X00XX00X |
|                |  | CUSTOMER DRAWING   | RESTRICTED TO                |

SCALE 1:1 SHEET 1 OF 1 REV B

# Mouser Electronics

Authorized Distributor

Click to View Pricing, Inventory, Delivery & Lifecycle Information:

[TE Connectivity:](#)

[T4151320002-004](#)