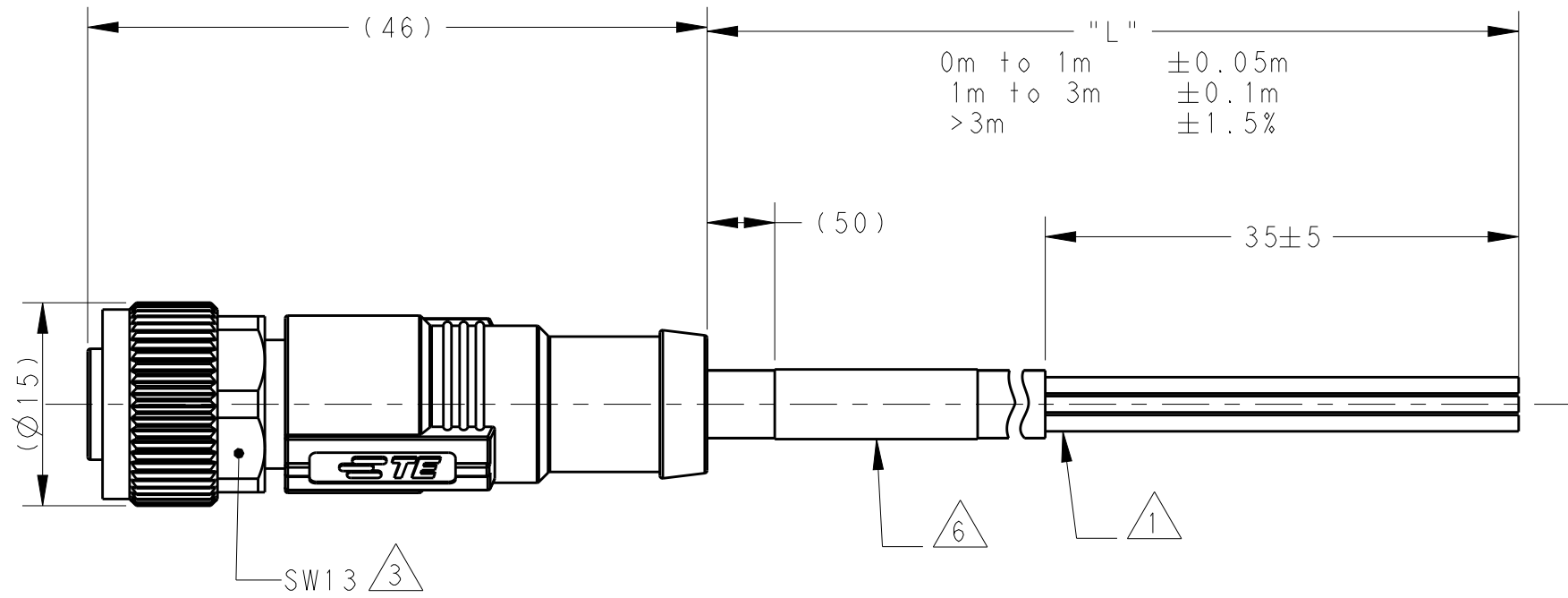
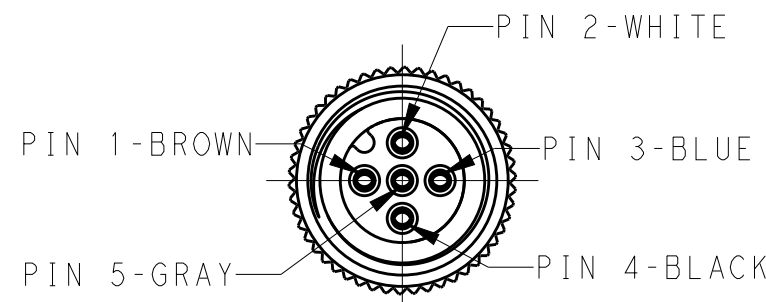


THIS DRAWING IS UNPUBLISHED. RELEASED FOR PUBLICATION 20
 © COPYRIGHT 20 BY - ALL RIGHTS RESERVED.

ITEM	DESCRIPTION	MATERIAL	OTHERS
1	FEMALE CONTACT	COPPER ALLOY	FLASH GOLD
2	HOUSING	NYLON	BLACK
3	COUPLING NUT	COPPER ALLOY	-
4	OVER-MOLDING	POLYURETHANE	BLUE
5	CABLE	-	-
6	LABEL	-	-

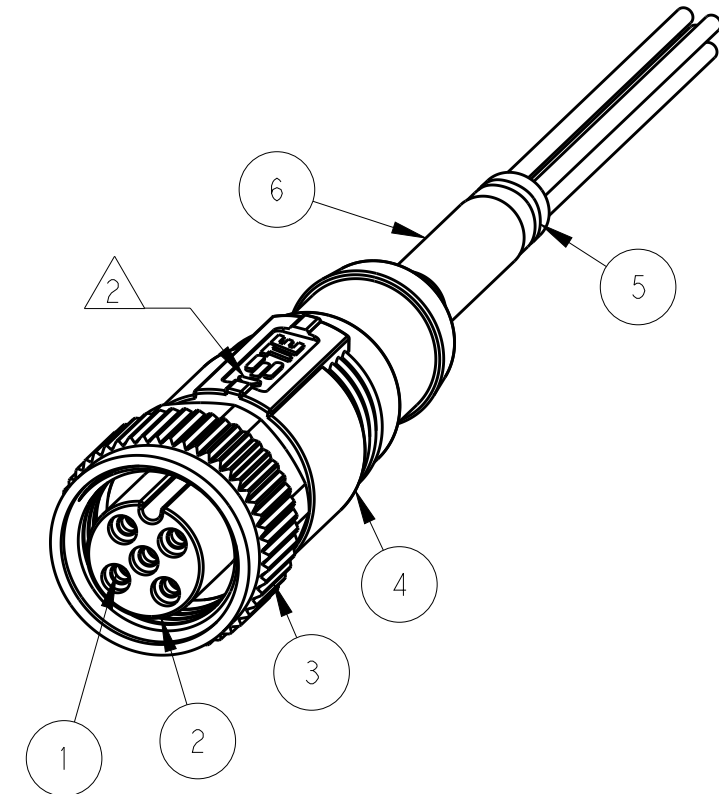


REVISIONS				
P	LTR	DESCRIPTION	DATE	APVD
	A	INITIAL RELEASE	21AUG2015	HW XX
	A1	ECR-16-010106	14JUL2016	HW XX
	A2	ECR-16-015173, ADD NEW PN	29OCT2016	BP CW
	B	ECR-18-019963	28DEC2018	G.W C.W

NOTE:
 ①. STRIP ALL THE INSULATION;
 ②. CODE POSITION INDICATOR;
 ③. RECOMMENDED TORQUE 0.6 Nm;
 ④. -** : CABLE LENGTH
 -0.5:0.5M,
 -1.0:1.0M,
 -1.5:1.5M,
 -3.0:3.0M,
 -5.0:5.0M,
 -7.0:7.0M,
 -10.0:10.0M;
 5. CABLE ASSEMBLY TO BE PACKAGED IN POLYBAGS;
 ⑥. LABEL CONTAINS: PN, DATE CODE...;
 ⑦. -00X: FOR CABLE LENGTH, SEE TABLE E AND REFER TO LENGTH "L".

注释:
 ①. 全剥护套绝缘层;
 ②. CODE位置指示;
 ③. 推荐扭矩0.6 Nm;
 ④. -** : 线缆长度
 -0.5:0.5M,
 -1.0:1.0M,
 -1.5:1.5M,
 -3.0:3.0M,
 -5.0:5.0M,
 -7.0:7.0M,
 -10.0:10.0M;
 5. 线缆组件塑料袋包装;
 ⑥. 标签包含: 产品编号, 日期代码...;
 ⑦. -00X: 线缆长度, 参考表2, 参照长度 "L".

TECHNICAL DATA	T41513X0002-00X	T41513X0003-00X	T41513X0004-00X	T41513X0005-00X
RATED VOLTAGE		250V		60V
RATED IMPULSE VOLTAGE		2500V		1500V
RATED CURRENT		4A		
POLLUTION DEGREE		3		
OVERVOLTAGE CATEGORY		II		
MATERIAL GROUP		II		
DEGREE OF PROTECTION		IP67		



PIN ARRANGEMENT A-CODE		
T41513X0002-00X	T41513X0003-00X	T41513X0004-00X
T41513X0005-00X		

WIRES	STANDARD	FIXED	FLXIBLE	JACKET COLOR	JACKET MATERIAL	TYPE	POS.	TE PN
WIRES: 0.50mm ² (20AWG) WIRE COLOR: WH/BR/BK/BL/GR OD: APPROX.4.5MM FOR 2P/3P APPROX.5.0MM FOR 4P/5P	STANDARD: -001:0.5 M -002:1.0 M -003:1.5 M -004:3.0 M -005:5.0 M -006:7.0 M -007:10.0 M	FIXED: -10°C~+80°C	FLXIBLE: -5°C~+80°C	BLACK	PVC (UL)	RPC-M12-FS-5CON-PVC-**S0.5④	5	T4151350005-00X⑦
						RPC-M12-FS-4CON-PVC-**S0.5④	4	T4151350004-00X⑦
						RPC-M12-FS-3CON-PVC-**S0.5④	3	T4151350003-00X⑦
						RPC-M12-FS-2CON-PVC-**S0.5④	2	T4151350002-00X⑦
						RPC-M12-FS-5CON-PUR-**④	5	T4151320005-00X⑦
						RPC-M12-FS-4CON-PUR-**④	4	T4151320004-00X⑦
						RPC-M12-FS-3CON-PUR-**④	3	T4151320003-00X⑦
						RPC-M12-FS-2CON-PUR-**④	2	T4151320002-00X⑦
						RPC-M12-FS-5CON-PVC-**④	5	T4151310005-00X⑦
						RPC-M12-FS-4CON-PVC-**④	4	T4151310004-00X⑦
						RPC-M12-FS-3CON-PVC-**④	3	T4151310003-00X⑦
						RPC-M12-FS-2CON-PVC-**④	2	T4151310002-00X⑦
CABLE CHARACTERISTIC	LENGTH "L"	CABLE TEMP. RANGE		JACKET COLOR	JACKET MATERIAL			

WIRES: 0.50mm²(20AWG)
 WIRE COLOR: WH/BR/BK/BL/GR
 OD: APPROX.4.5MM FOR 2P/3P
 APPROX.5.0MM FOR 4P/5P

WIRES: 0.34mm²(22AWG)
 WIRE COLOR: WH/BR/BK/BL/GR
 OD: APPROX.4.5MM FOR 2P/3P
 APPROX.5.5MM FOR 4P/5P

STANDARD:
 -001:0.5 M
 -002:1.0 M
 -003:1.5 M
 -004:3.0 M
 -005:5.0 M
 -006:7.0 M
 -007:10.0 M

CUSTOMIZATION:
 -XX0:XX.0 M
 -XX5:XX.5 M
 -99X:0.X M

FIXED: -10°C~+80°C	BLACK	PVC (UL)
FLXIBLE: -5°C~+80°C		
FIXED: -40°C~+80°C	GRAY	PUR (UL)
FLXIBLE: -25°C~+80°C		
FIXED: -10°C~+80°C	BLACK	PVC (UL)
FLXIBLE: -5°C~+80°C		

THIS DRAWING IS A CONTROLLED DOCUMENT.

DIMENSIONS: mm	TOLERANCES UNLESS OTHERWISE SPECIFIED:	DWN HAO WANG 11AUG2015	TE Connectivity
		CHK KOBBY ZHAO 11AUG2015	
		APVD XIANG XU 11AUG2015	
		NAME M12X1 STRAIGHT RECEPTACLE, FREE END A-CODE, UNSHIELDED,	
		PRODUCT SPEC 108-106140	SIZE A2
		APPLICATION SPEC	CAGE CODE -
MATERIAL	FINISH	WEIGHT	DRAWING NO. C-T41513X00XX00X
			RESTRICTED TO
		CUSTOMER DRAWING	SCALE 1:1 SHEET 1 OF 1 REV B

Mouser Electronics

Authorized Distributor

Click to View Pricing, Inventory, Delivery & Lifecycle Information:

[TE Connectivity:](#)

[T4151320004-004](#)