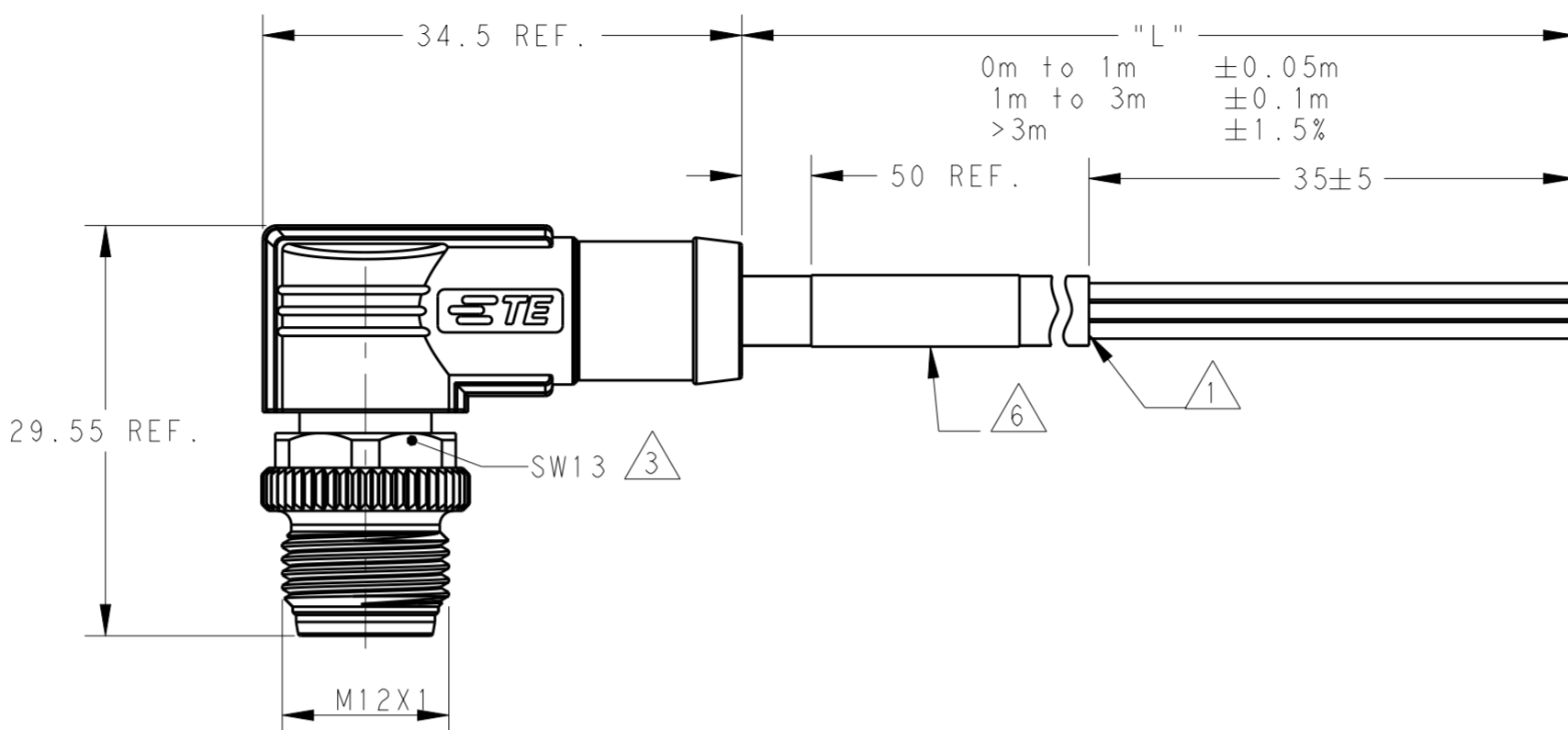
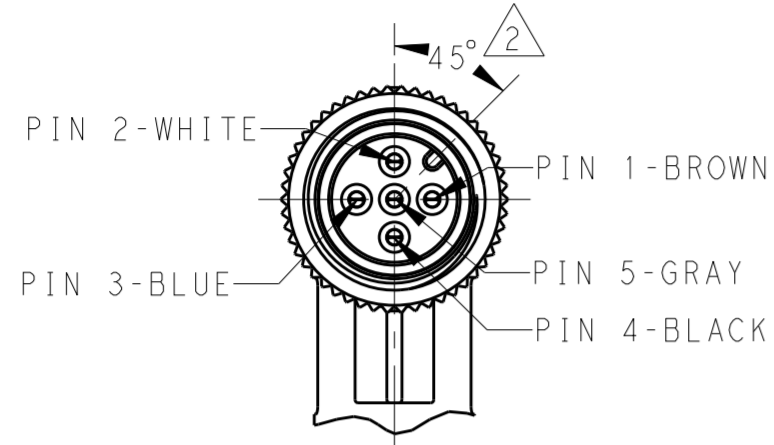


THIS DRAWING IS UNPUBLISHED. RELEASED FOR PUBLICATION 20
 © COPYRIGHT 20 BY - ALL RIGHTS RESERVED.

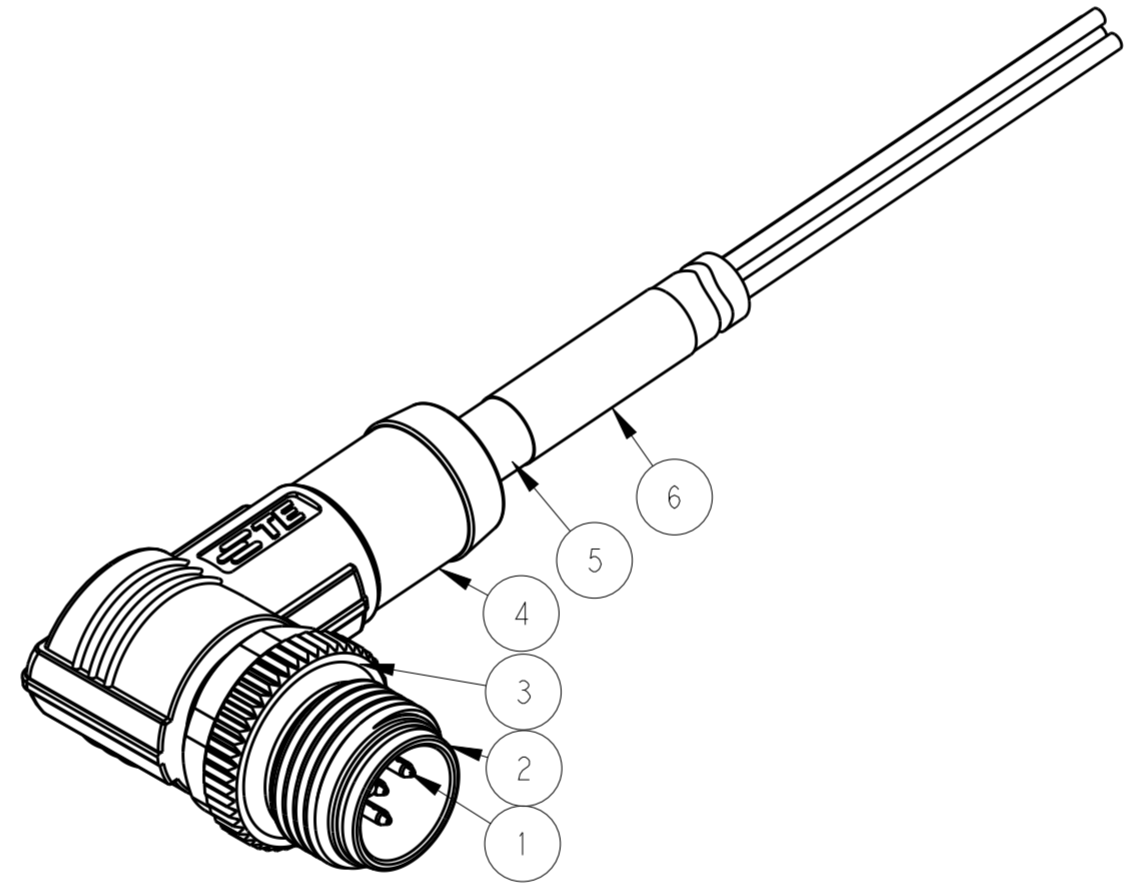
| ITEM | DESCRIPTION | MATERIAL | OTHERS |
|------|--------------|--------------|------------|
| 1 | MALE CONTACT | COPPER ALLOY | FLASH GOLD |
| 2 | HOUSING | NYLON | BLACK |
| 3 | COUPLING NUT | COPPER ALLOY | - |
| 4 | OVER-MOLDING | POLYURETHANE | BLUE |
| 5 | CABLE | - | - |
| 6 | LABEL | - | - |



| REVISIONS | | | | |
|-----------|-----|-----------------|-----------|---------|
| P | LTR | DESCRIPTION | DATE | APVD |
| A | | INITIAL RELEASE | 21AUG2015 | HW XX |
| A1 | | ECR-16-010106 | 14JUL2016 | HW XX |
| B | | ECR-18-019963 | 28DEC2018 | G.W C.W |

NOTE:
 △. STRIP ALL THE INSULATION
 △. CODE POSITION
 △. RECOMMENDED TORQUE 0.6 Nm
 △. -*:CABLE LENGTH
 -0.5:0.5M,
 -1.0:1.0M,
 ...
 -10.0:10.0M,
 5. CABLE ASSEMBLY TO BE PACKAGED IN POLYBAGS
 △. LABEL CONTAINS: PN, DATE CODE...
 △. CABLE LENGTH CODE:
 STANDARD LENGTH:001...007
 CUSTOMIZATION LENGTH: >1.0M;XX OR XX5
 EXAMPLE:3.5M:035;15M:150...
 <1.0M;99X
 EXAMPLE:0.4M:994;...0.9M:999

注释:
 △. 全剥护套绝缘层
 △. CODE位置
 △. 推荐扭矩0.6 Nm
 △. -*:线缆长度
 -0.5:0.5M,
 -1.0:1.0M,
 ...
 -10.0:10.0M,
 5. 线缆组件塑料袋包装
 △. 标签包含: 产品编号, 日期代码...
 △. 线缆长度编码:
 标准长度:001...007
 定制长度:>1.0M;XX0 或 005
 例如:3.5M:035;15.0M:150...
 <1.0M;99X
 例如:0.4M:994;0.9M:999



| TECHNICAL DATA | T41512X0002-00X | T41512X0003-00X | T41512X0004-00X | T41512X0005-00X |
|-----------------------|-----------------|-----------------|-----------------|-----------------|
| RATED VOLTAGE | 250V | | 60V | |
| RATED IMPULSE VOLTAGE | 2500V | | 1500V | |
| RATED CURRENT | 4A | | | |
| POLLUTION DEGREE | 3 | | | |
| OVERVOLTAGE CATEGORY | II | | | |
| MATERIAL GROUP | II | | | |
| DEGREE OF PROTECTION | IP67 | | | |

| PIN ARRANGEMENT A-CODE | | |
|------------------------|-----------------|-----------------|
| T41512X0002-00X | T41512X0003-00X | T41512X0004-00X |
| | | |
| T41512X0005-00X | | |
| | | |

| | | | | | | | |
|--|--|--|--------------|-----------------|-------------------------|------|-----------------|
| WIRES: 0.34mm ² (22AWG) WIRE COLOR: WH/BR/BK/BL/GR OD: APPROX.4.5MM FOR 2P/3P APPROX.5.5MM FOR 4P/5P | STANDARD: △ -001:0.5 M -002:1.0 M -003:1.5 M -004:3.0 M -005:5.0 M -006:7.0 M -007:10.0 M CUSTOMIZATION: -XX0:XX.0 M -XX5:XX.5 M -99X:0.X M | FIXED: -40°C~+80°C FLXIBLE: -25°C~+80°C | GRAY | PUR (UL) | RPC-M12-MR-5CON-PUR-**△ | 5 | T4151220005-00X |
| | | | | | RPC-M12-MR-4CON-PUR-**△ | 4 | T4151220004-00X |
| | | | | | RPC-M12-MR-3CON-PUR-**△ | 3 | T4151220003-00X |
| | | | | | RPC-M12-MR-2CON-PUR-**△ | 2 | T4151220002-00X |
| | | FIXED: -10°C~+80°C FLXIBLE: -5°C~+80°C | BLACK | PVC (UL) | RPC-M12-MR-5CON-PVC-**△ | 5 | T4151210005-00X |
| | | | | | RPC-M12-MR-4CON-PVC-**△ | 4 | T4151210004-00X |
| | | | | | RPC-M12-MR-3CON-PVC-**△ | 3 | T4151210003-00X |
| | | | | | RPC-M12-MR-2CON-PVC-**△ | 2 | T4151210002-00X |
| CABLE CHARACTERISTIC | LENGTH "L" | CABLE TEMP. RANGE | JACKET COLOR | JACKET MATERIAL | TYPE | POS. | TE PN |

THIS DRAWING IS A CONTROLLED DOCUMENT.

| | | | |
|----------------|--|--------------------------|---|
| DIMENSIONS: mm | TOLERANCES UNLESS OTHERWISE SPECIFIED: | DWN HAO WANG 11AUG2015 | TE Connectivity M12X1 RIGHT ANGLE PLUG, FREE END A-CODE, UNSHIELDED, |
| | | CHK KOBBY ZHAO 11AUG2015 | |
| | | APVD XIANG XU 11AUG2015 | |
| | | PRODUCT SPEC 108-106140 | |
| MATERIAL | | APPLICATION SPEC | SIZE A2 |
| | | WEIGHT | CAGE CODE |
| | | CUSTOMER DRAWING | DRAWING NO. C-T41512X00XX00X |
| | | SCALE 2:1 | RESTRICTED TO |
| | | SHEET 1 OF 1 | REV B |

Mouser Electronics

Authorized Distributor

Click to View Pricing, Inventory, Delivery & Lifecycle Information:

[TE Connectivity:](#)

[T4151210005-001](#)