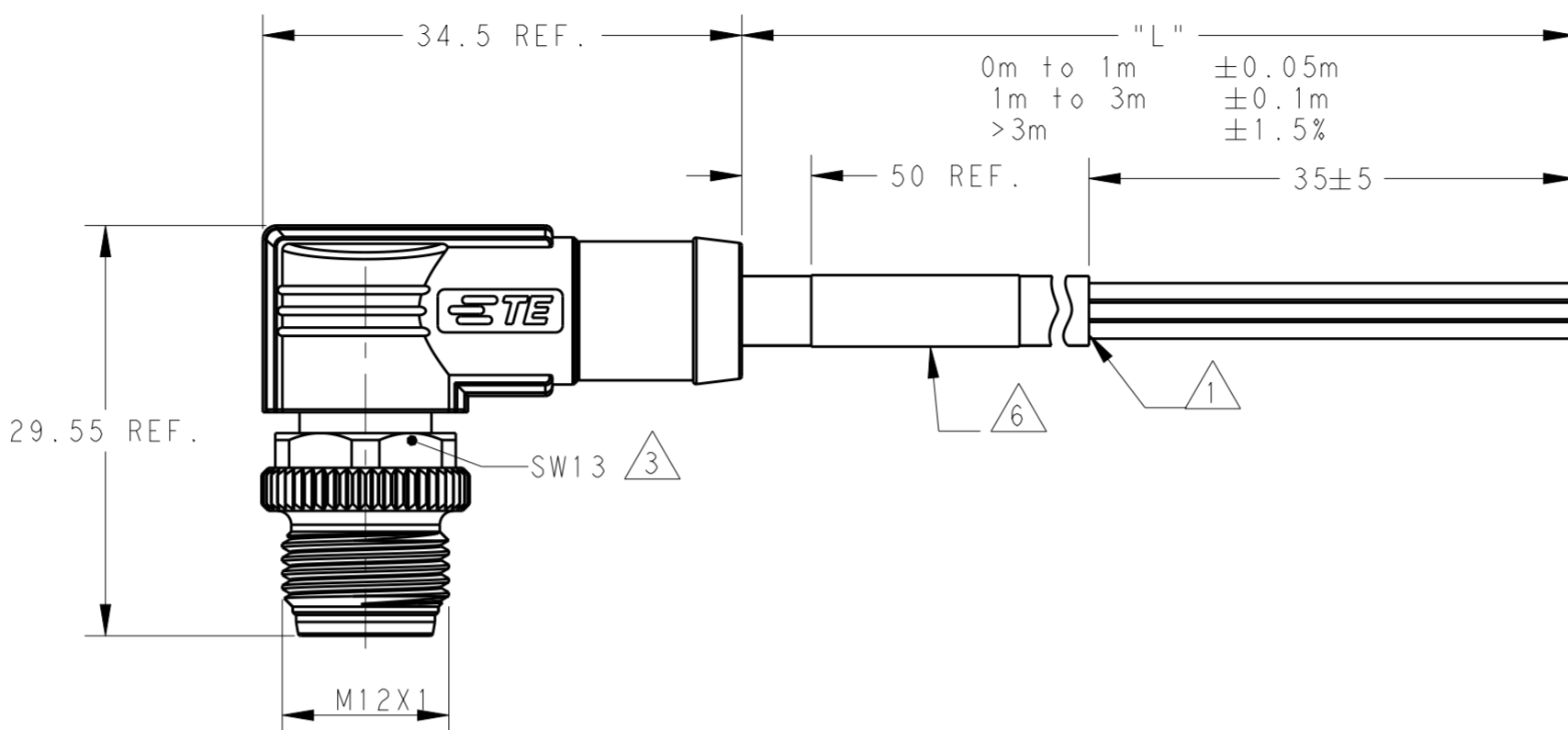
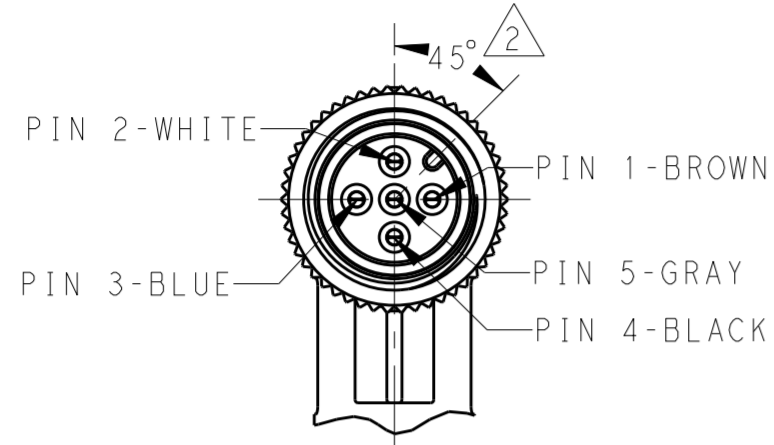


THIS DRAWING IS UNPUBLISHED. RELEASED FOR PUBLICATION 20
 © COPYRIGHT 20 BY - ALL RIGHTS RESERVED.

ITEM	DESCRIPTION	MATERIAL	OTHERS
1	MALE CONTACT	COPPER ALLOY	FLASH GOLD
2	HOUSING	NYLON	BLACK
3	COUPLING NUT	COPPER ALLOY	-
4	OVER-MOLDING	POLYURETHANE	BLUE
5	CABLE	-	-
6	LABEL	-	-



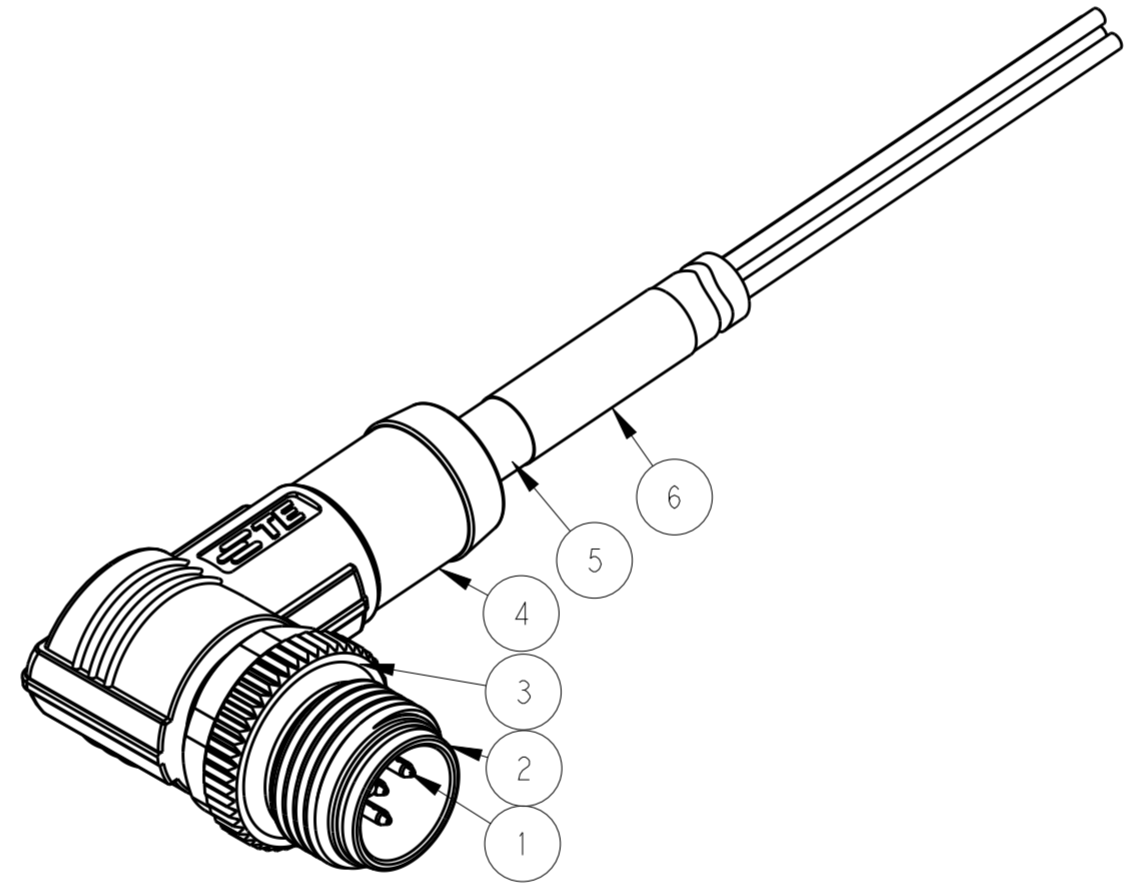
REVISIONS				
P	LTR	DESCRIPTION	DATE	APVD
	A	INITIAL RELEASE	21AUG2015	HW XX
	A1	ECR-16-010106	14JUL2016	HW XX
	B	ECR-18-019963	28DEC2018	G.W C.W

NOTE:

- △. STRIP ALL THE INSULATION
- △. CODE POSITION
- △. RECOMMENDED TORQUE 0.6 Nm
- △. - **: CABLE LENGTH
 - 0.5: 0.5M,
 - 1.0: 1.0M,
 - 10.0: 10.0M,
- 5. CABLE ASSEMBLY TO BE PACKAGED IN POLYBAGS
- △. LABEL CONTAINS: PN, DATE CODE...
- △. CABLE LENGTH CODE:
 STANDARD LENGTH: 001...007
 CUSTOMIZATION LENGTH: >1.0M; XX OR XX5
 EXAMPLE: 3.5M:035; 15M:150...
 <1.0M; 99X
 EXAMPLE: 0.4M:994; ...0.9M:999

注释:

- △. 全剥护套绝缘层
- △. CODE位置
- △. 推荐扭矩0.6 Nm
- △. - **: 线缆长度
 - 0.5: 0.5M,
 - 1.0: 1.0M,
 - 10.0: 10.0M,
- 5. 线缆组件塑料袋包装
- △. 标签包含: 产品编号, 日期代码...
- △. 线缆长度编码:
 标准长度: 001...007
 定制长度: >1.0M; XX0 或 005
 例如: 3.5M:035; 15.0M:150...
 <1.0M; 99X
 例如: 0.4M:994; 0.9M:999



TECHNICAL DATA	T41512X0002-00X	T41512X0003-00X	T41512X0004-00X	T41512X0005-00X
RATED VOLTAGE	250V		60V	
RATED IMPULSE VOLTAGE	2500V		1500V	
RATED CURRENT	4A			
POLLUTION DEGREE	3			
OVERVOLTAGE CATEGORY	II			
MATERIAL GROUP	II			
DEGREE OF PROTECTION	IP67			

PIN ARRANGEMENT A-CODE		
T41512X0002-00X	T41512X0003-00X	T41512X0004-00X
T41512X0005-00X		

WIRES: 0.34mm ² (22AWG) WIRE COLOR: WH/BR/BK/BL/GR OD: APPROX. 4.5MM FOR 2P/3P APPROX. 5.5MM FOR 4P/5P	STANDARD: △ -001: 0.5 M -002: 1.0 M -003: 1.5 M -004: 3.0 M -005: 5.0 M -006: 7.0 M -007: 10.0 M CUSTOMIZATION: -XX0: XX.0 M -XX5: XX.5 M -99X: 0.X M	FIXED: -40°C~+80°C FLXIBLE: -25°C~+80°C	GRAY	PUR (UL)	RPC-M12-MR-5CON-PUR-**△	5	T4151220005-00X
		FIXED: -10°C~+80°C FLXIBLE: -5°C~+80°C	BLACK	PVC (UL)	RPC-M12-MR-4CON-PUR-**△ RPC-M12-MR-3CON-PUR-**△ RPC-M12-MR-2CON-PUR-**△ RPC-M12-MR-5CON-PVC-**△ RPC-M12-MR-4CON-PVC-**△ RPC-M12-MR-3CON-PVC-**△ RPC-M12-MR-2CON-PVC-**△	4 3 2 5 4 3 2	T4151220004-00X T4151220003-00X T4151220002-00X T4151210005-00X T4151210004-00X T4151210003-00X T4151210002-00X
CABLE CHARACTERISTIC	LENGTH "L"	CABLE TEMP. RANGE	JACKET COLOR	JACKET MATERIAL	TYPE	POS.	TE PN

THIS DRAWING IS A CONTROLLED DOCUMENT.

DIMENSIONS: mm	TOLERANCES UNLESS OTHERWISE SPECIFIED:	DWN: HAO WANG 11AUG2015	TE Connectivity
		CHK: KOBBY ZHAO 11AUG2015	
		APVD: XIANG XU 11AUG2015	
		NAME: M12X1 RIGHT ANGLE PLUG, FREE END A-CODE, UNSHIELDED,	
MATERIAL		PRODUCT SPEC: 108-106140	SIZE: A2
		APPLICATION SPEC: -	CAGE CODE: -
		WEIGHT: -	DRAWING NO: C-T41512X00XX00X
		CUSTOMER DRAWING	RESTRICTED TO: B

SCALE: 2:1 SHEET 1 OF 1 REV B

Mouser Electronics

Authorized Distributor

Click to View Pricing, Inventory, Delivery & Lifecycle Information:

[TE Connectivity:](#)

[T4151220002-005](#)