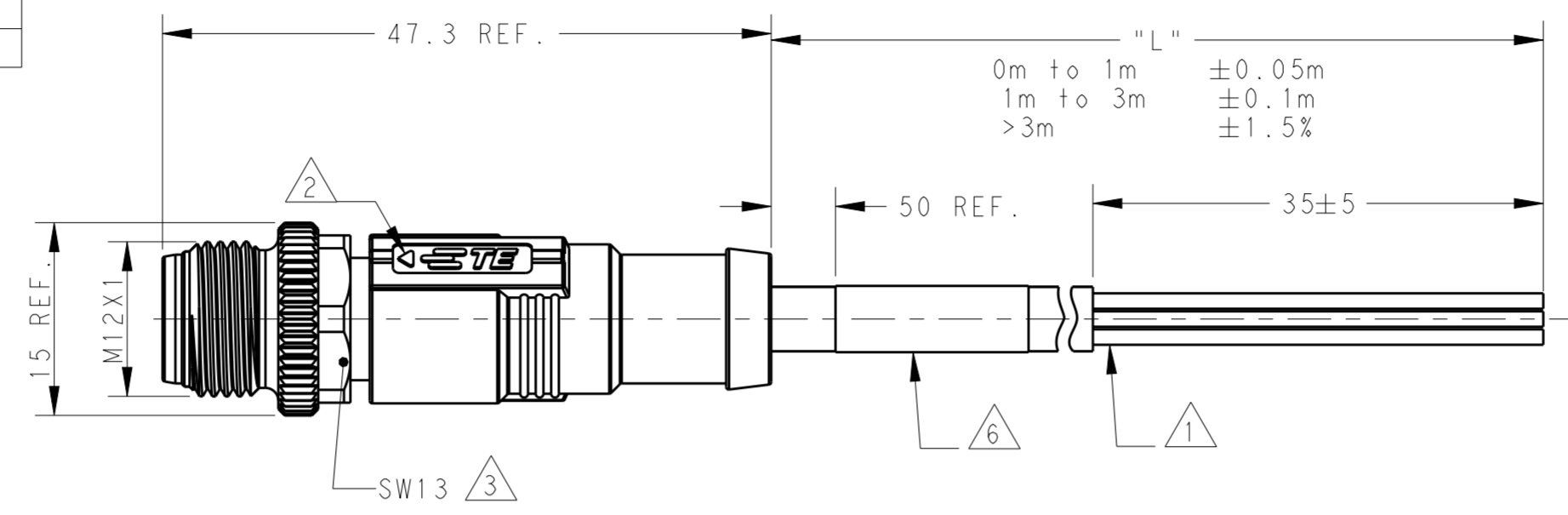
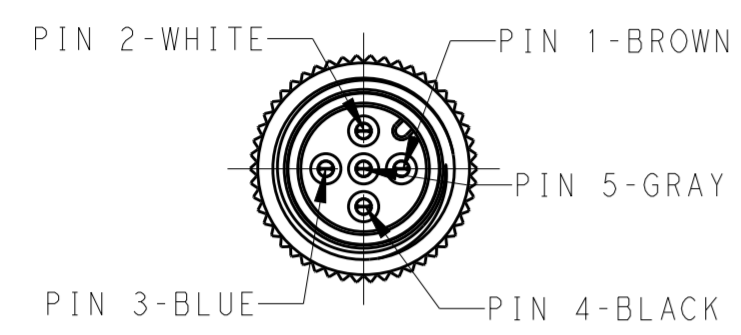


THIS DRAWING IS UNPUBLISHED. RELEASED FOR PUBLICATION 20
 © COPYRIGHT 20 BY - ALL RIGHTS RESERVED.

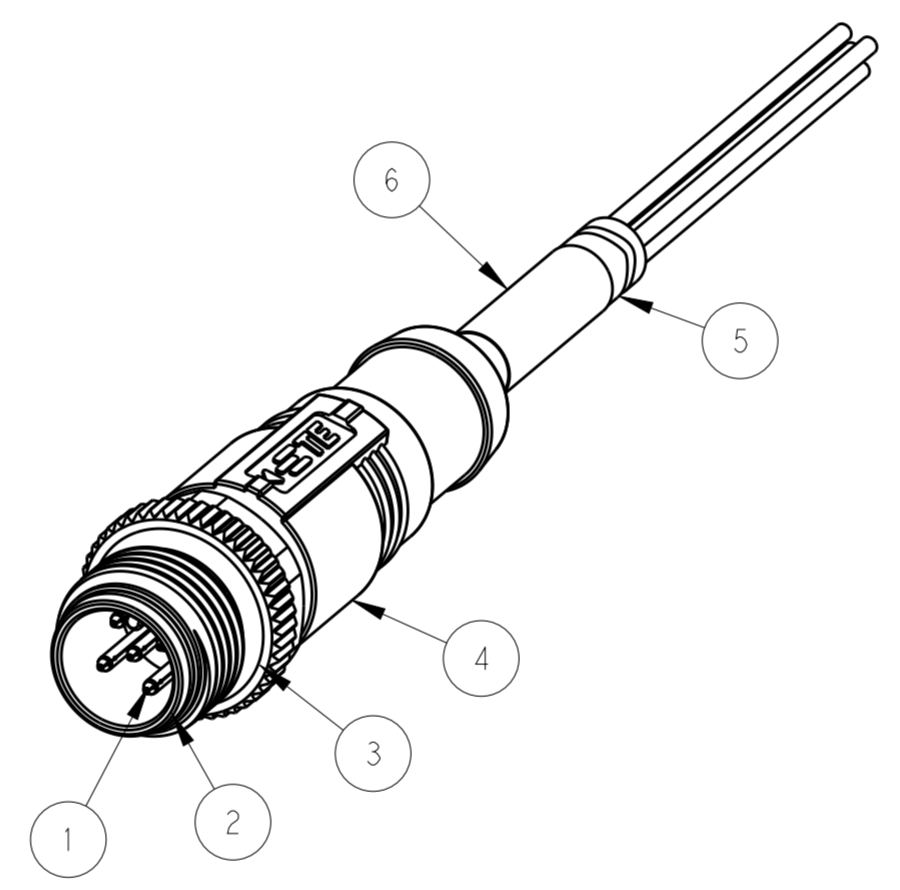
ITEM	DESCRIPTION	MATERIAL	OTHERS
1	MALE CONTACT	COPPER ALLOY	FLASH GOLD
2	HOUSING	NYLON	BLACK
3	COUPLING NUT	COPPER ALLOY	-
4	OVER-MOLDING	POLYURETHANE	BLUE
5	CABLE	-	-
6	LABEL	-	-

REVISIONS				
P	LTR	DESCRIPTION	DATE	APVD
	A	INITIAL RELEASE	21AUG2015	HW XX
	A1	ECR-16-010106	14JUL2016	HW XX
	B	ECR-18-019963	28DEC2018	G.W C.W



NOTE:
 1. STRIP ALL THE INSULATION
 2. CODE POSITION INDICATOR
 3. RECOMMENDED TORQUE 0.6 Nm
 4. -*:CABLE LENGTH
 -0.5:0.5M,
 -1.0:1.0M,
 ...
 -10.0:10.0M,
 5. CABLE ASSEMBLY TO BE PACKAGED IN POLYBAGS
 6. LABEL CONTAINS: PN, DATE CODE...
 7. CABLE LENGTH CODE:
 STANDARD LENGTH: 001...007
 CUSTOMIZATION LENGTH: >1.0M;XX OR XX5
 EXAMPLE: 3.5M:035;15M:150...
 <1.0M;99X
 EXAMPLE:0.4M:994;...0.9M:999

TECHNICAL DATA	T41511X0002-00X	T41511X0003-00X	T41511X0004-00X	T41511X0005-00X
RATED VOLTAGE	250V		60V	
RATED IMPULSE VOLTAGE	2500V		1500V	
RATED CURRENT	4A			
POLLUTION DEGREE	3			
OVERVOLTAGE CATEGORY	II			
MATERIAL GROUP	II			
DEGREE OF PROTECTION	IP67			



注释:
 1. 全剥护套绝缘层
 2. CODE位置指示
 3. 推荐扭矩0.6 Nm
 4. -*:线缆长度
 -0.5:0.5M,
 -1.0:1.0M,
 ...
 -10.0:10.0M,
 5. 线缆组件塑料袋包装
 6. 标签包含: 产品编号, 日期代码...
 7. 线缆长度编码:
 标准长度: 001...007
 定制长度: >1.0M;XX0 或 005
 例如: 3.5M:035;15.0M:150...
 <1.0M;99X
 例如:0.4M:994;0.9M:999

PIN ARRANGEMENT A-CODE		
T41511X0002-00X	T41511X0003-00X	T41511X0004-00X

CABLE CHARACTERISTIC	LENGTH "L"	CABLE TEMP. RANGE	JACKET COLOR	JACKET MATERIAL	TYPE	POS.	TE PN	
WIRES: 0.34mm ² (22AWG) WIRE COLOR: WH/BR/BK/BL/GR OD: APPROX.4.5MM FOR 2P/3P APPROX.5.0MM FOR 4P/5P	STANDARD: 1	FIXED: -40°C~+80°C	GRAY	PUR (UL)	RPC-M12-MS-5CON-PUR-**1	5	T4151120005-00X	
	-001:0.5 M	FLXIBLE: -25°C~+80°C	BLACK	PVC (UL)	RPC-M12-MS-4CON-PUR-**1	4	T4151120004-00X	
	-002:1.0 M				RPC-M12-MS-3CON-PUR-**1	3	T4151120003-00X	
	-003:1.5 M				RPC-M12-MS-2CON-PUR-**1	2	T4151120002-00X	
	-004:3.0 M				RPC-M12-MS-5CON-PVC-**1	5	T4151110005-00X	
	-005:5.0 M				RPC-M12-MS-4CON-PVC-**1	4	T4151110004-00X	
	-006:7.0 M				RPC-M12-MS-3CON-PVC-**1	3	T4151110003-00X	
	-007:10.0 M				RPC-M12-MS-2CON-PVC-**1	2	T4151110002-00X	
	CUSTOMIZATION: -XX0:XX.0 M	FIXED: -10°C~+80°C	BLACK	PVC (UL)	-XX5:XX.5 M			
	-99X:0.X M	FLXIBLE: -5°C~+80°C						

THIS DRAWING IS A CONTROLLED DOCUMENT.

DIMENSIONS: mm	TOLERANCES UNLESS OTHERWISE SPECIFIED:	DWN HAO WANG 11AUG2015	TE Connectivity NAME M12X1 STRAIGHT PLUG, FREE END A-CODE, UNSHIELDED, SIZE A2 CAGE CODE - DRAWING NO. C-T41511X00XX00X RESTRICTED TO
		CHK KOBBY ZHAO 11AUG2015	
		APVD XIANG XU 11AUG2015	
		PRODUCT SPEC 108-106140	
MATERIAL		APPLICATION SPEC	SCALE 2:1 SHEET 1 OF 1 REV B
		WEIGHT	CUSTOMER DRAWING

Mouser Electronics

Authorized Distributor

Click to View Pricing, Inventory, Delivery & Lifecycle Information:

[TE Connectivity:](#)

[T4151110004-007](#)