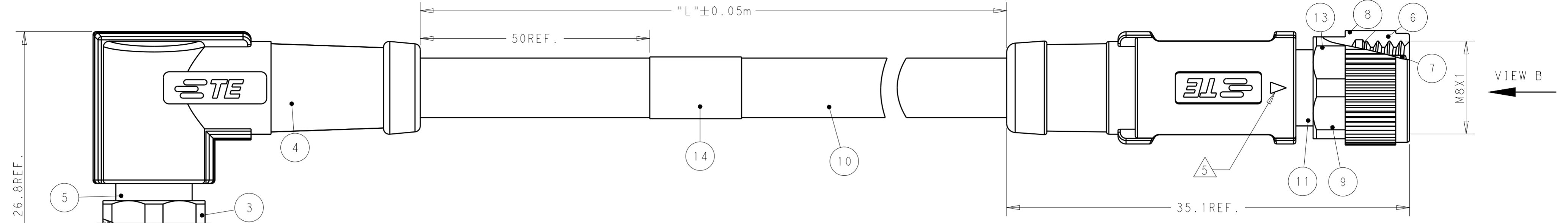


THIS DRAWING IS UNPUBLISHED. RELEASED FOR PUBLICATION 20
 © COPYRIGHT 20 BY - ALL RIGHTS RESERVED.

REVISIONS					
P	LTR	DESCRIPTION	DATE	DWN	APVD
A		INITIAL RELEASE	24FEB2016	N.P	X.X
B		PER ECR-20-003177	08JUL2020	B.P	C.W



- NOTES:
1. TECHNICAL DATA: SEE TABLE 1
 - △. RECOMMEND TORQUE 0.4Nm
 - △. TE LABEL AREA.
 - △. SEE TABLE 2, REFER TO LENGTH "L"
- **: CABLE LENGTH: -0.5:0.5m, -1.0:1.0m, -1.5:1.5m...
 - △. INSERT MARK FOR MATING.
 - △. SEE TABLE 2, REFER TO LENGTH "L"
CABLE LENGTH CODE:
STANDARD LENGTH: 001...007
CUSTOMIZATION LENGTH: >1.0M; XX0 OR XX5
EXAMPLE: 3.5M:035; 15.0M:150...
<1.0M; 99X
EXAMPLE: 0.4M:994; ...0.9M:999

- 注意事项
1. 技术参数: 见表 1
 - △. 推荐扭矩 0.4Nm;
 - △. TE 标签位置;
 - △. 参考表 2, 参照长度 "L"
- *: 线缆长度, -0.5:0.5M, -1.0:1.0M, -1.5:1.5M...
 - △. 产品对插标示;
 - △. 参考表 2, 参考长度 "L"
线缆长度编码:
标准长度: 001...007
定制长度: >1.0M; XX0 或 XX5
例如: 3.5M:035; 15.0M:150...
<1.0M; 99X
例如: 0.4M:994; ...0.9M:999

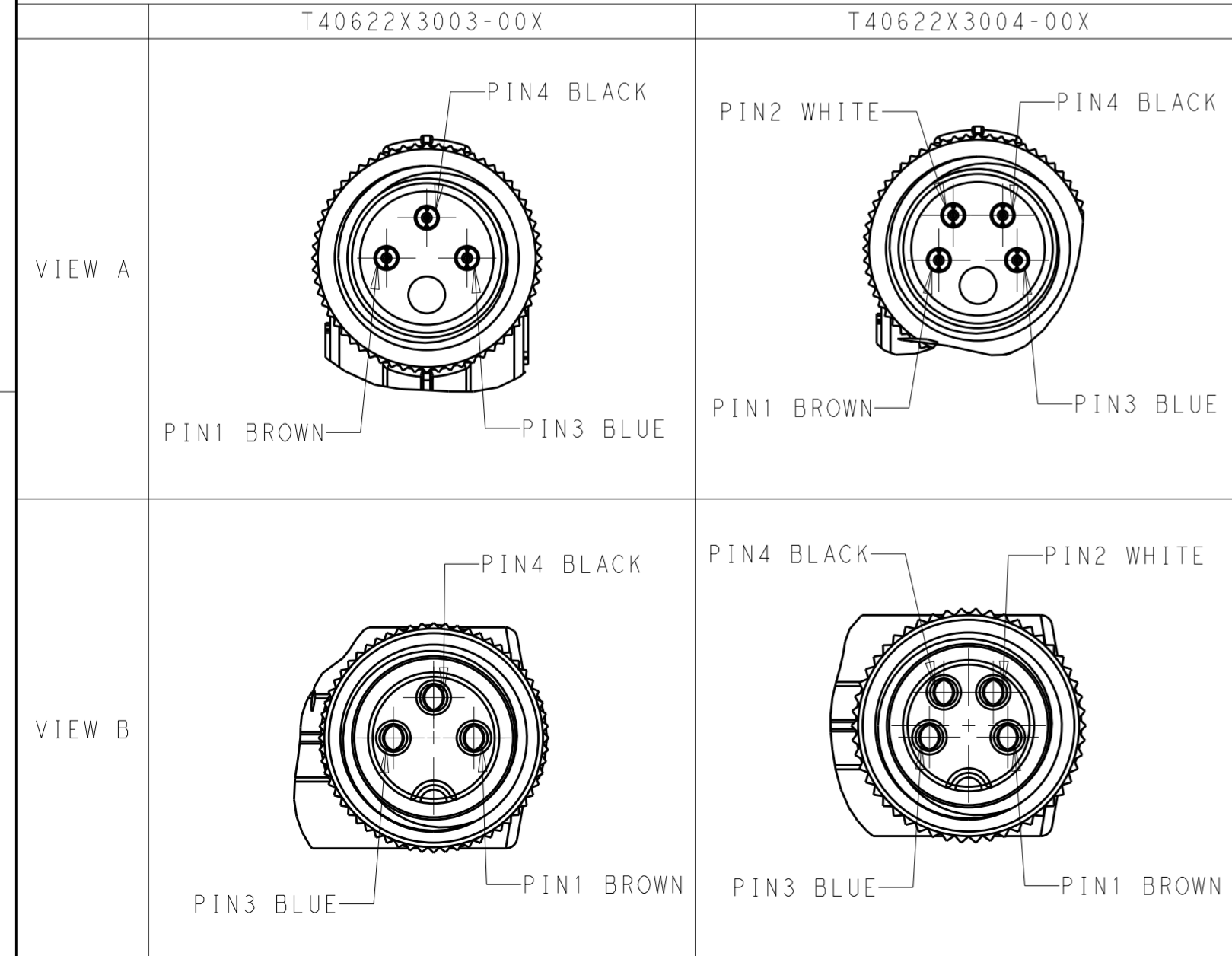


TABLE 1

TECHNICAL DATA	T40622X3003-00X	T40622X3004-00X
RATED VOLTAGE	60V	30V
RATED CURRENT	3A	
POLLETION DEGREE	3	
OVERVOLTAGE CATEGORY	II	
MATERIAL GROUP	II	
DEGREE OF PROTECTION	IP67	

ITEM	MATERIAL	DESCRIPTION	QUANTITY
14	TE LABEL		14
13	STEEL	WAVE WASHER	13
12	STEEL	SPRING	12
11	BRASS	SHIELDING	11
10	-	CABLE	10
9	COPPER ALLOY	COUPLING NUT	9
8	RUBBER	O-RING	8
7	BALCK COLOR PA66	HOUSING	7
6	GOLD FLASH COPPER ALLOY	CONTACT	6
5	COPPER ALOY	SHIELDING	5
4	BLUE COLOR POLYURETHANE	OVER-MOLDING	4
3	-	COPPER ALLOY COUPLING NUT	3
2	BALCK COLOR PA66	HOUSING	2
1	GOLD FLASH COPPER ALLOY	CONTACT	1
COMMENTS	MATERIAL	DESCRIPITON	ITEM

WIRES: 0.25mm ² (24AWG)	STANDARD: -001: 0.5M -002: 1.0M -003: 1.5M -004: 3.0M -005: 5.0M -006: 7.0M -007: 10.0M CUSTOMIZATION: -XX0: XX.0 M -XX5: XX.5 M -99X: 0.X M	FIXED: -25°C~80°C FLXIBLE: -10°C~80°C	GRAY	PUR (UL)	RPC-M8-4MR-**SH-M8-4FS-PUR△	4	T4062223004-00X△
					RPC-M8-3MR-**SH-M8-3FS-PUR△	3	T4062223003-00X△
		FIXED: -10°C~80°C FLXIBLE: -5°C~80°C	BLACK	PVC (UL)	RPC-M8-4MR-**SH-M8-4FS-PVC△	4	T4062213004-00X△
					RPC-M8-3MR-**SH-M8-3FS-PVC△	3	T4062213003-00X△
CABLE CHARACTERISTIC	LENGTH "L"	RECOMMEND OPERATION TEMPERATURE FOR CABLE	JACKET COLOR	JACKET MATERIAL	TYPE	POS.	PART NUMBER

THIS DRAWING IS A CONTROLLED DOCUMENT.

DIMENSIONS: mm	TOLERANCES UNLESS OTHERWISE SPECIFIED:	DWN Nick Pan 24FEB2016	TE Connectivity
		CHK Kobby Zhao 24FEB2016	
		APVD Xiang Xu 24FEB2016	
		PRODUCT SPEC 108-106140	
MATERIAL TBD		APPLICATION SPEC	NAME M8 CABLE ASSEMBLY SHIELDED TYPE DOUBLE ENDED
		WEIGHT	SIZE A2
		CUSTOMER DRAWING	CAGE CODE -
			DRAWING NO. C-T40622X300X00X
			RESTRICTED TO -
			SCALE 1:1
			SHEET 1 OF 1
			REV B

Mouser Electronics

Authorized Distributor

Click to View Pricing, Inventory, Delivery & Lifecycle Information:

[TE Connectivity:](#)

[T4062223004-002](#)