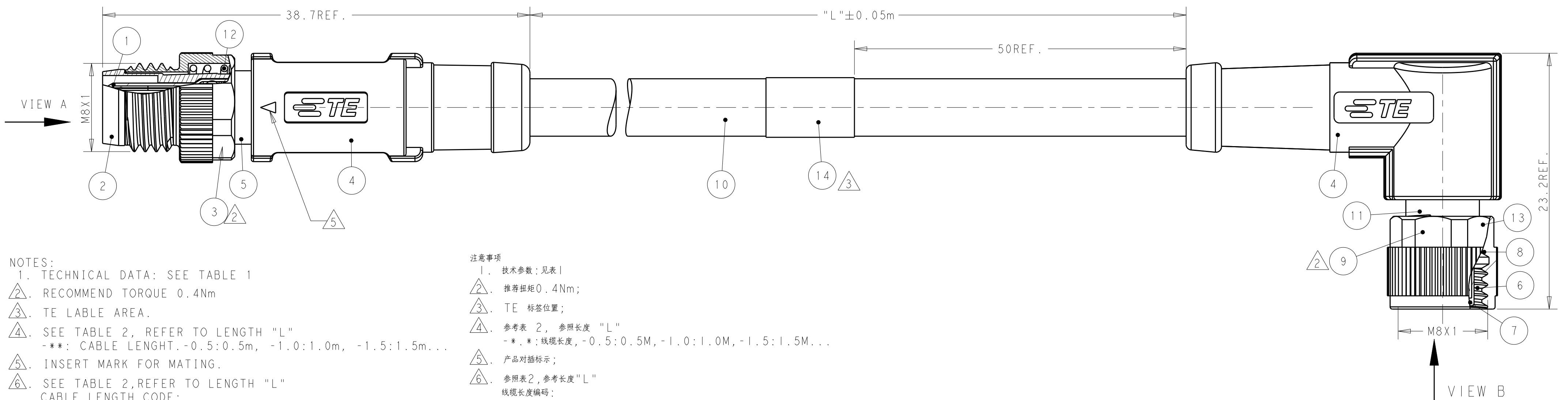


THIS DRAWING IS UNPUBLISHED. RELEASED FOR PUBLICATION 20
 © COPYRIGHT 20 BY - ALL RIGHTS RESERVED.

| REVISIONS | | | | |
|-----------|-----|-------------------|-----------|---------|
| P | LTR | DESCRIPTION | DATE | APVD |
| A | | INITIAL RELEASE | 02MAR2016 | N.P X.X |
| B | | PER ECR-20-003177 | 08JUL2020 | B.P C.W |



NOTES:

1. TECHNICAL DATA: SEE TABLE 1
2. RECOMMEND TORQUE 0.4Nm
3. TE LABEL AREA.
4. SEE TABLE 2, REFER TO LENGTH "L"
- ** : CABLE LENGTH: -0.5:0.5m, -1.0:1.0m, -1.5:1.5m...
5. INSERT MARK FOR MATING.
6. SEE TABLE 2, REFER TO LENGTH "L"
CABLE LENGTH CODE:
STANDARD LENGTH: 001...007
CUSTOMIZATION LENGTH: >1.0M; XX0 OR XX5
EXAMPLE: 3.5M:035; 15.0M:150...
<1.0M; 99X
EXAMPLE: 0.4M:994; ...0.9M:999

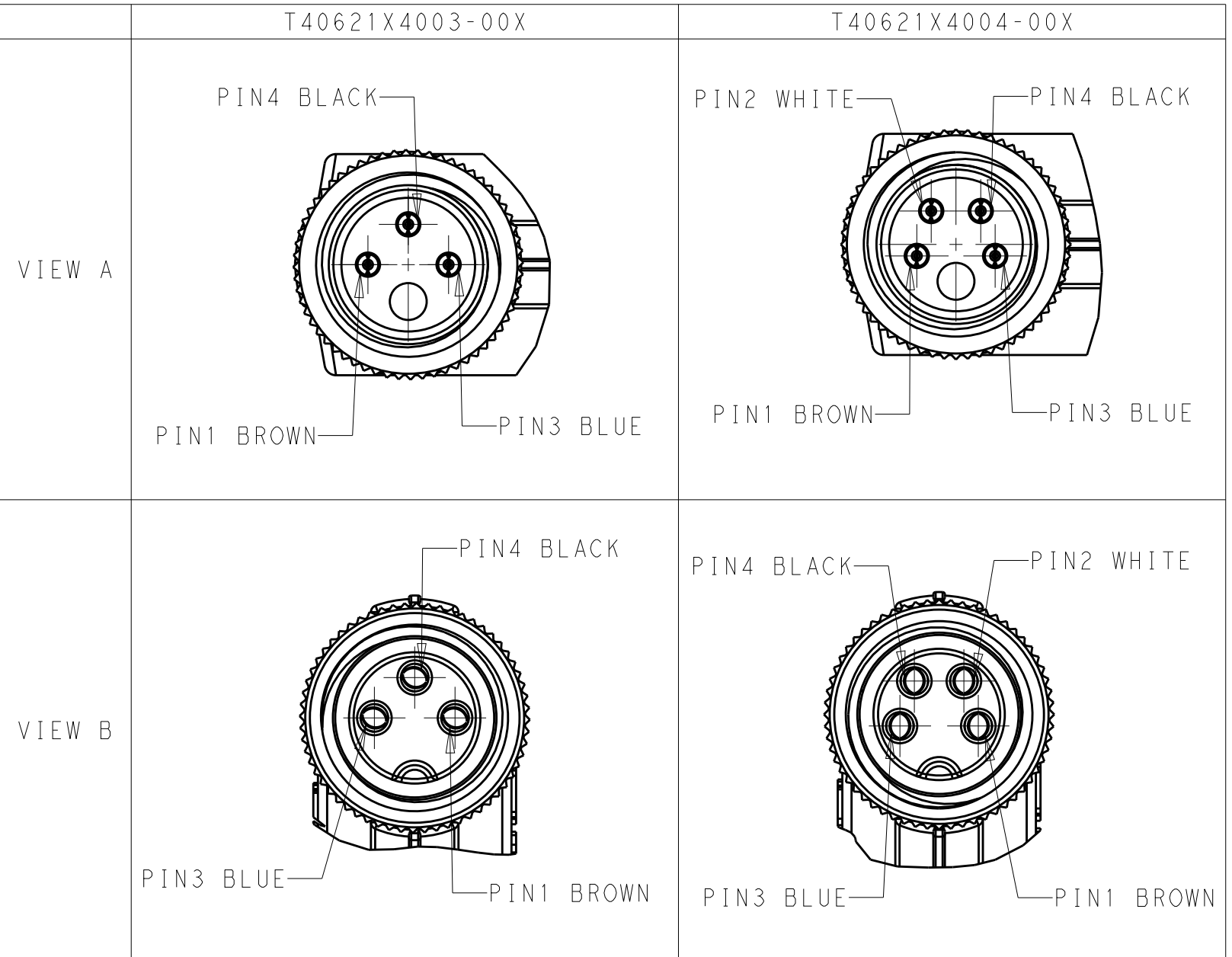
注意事项

1. 技术参数: 见表 1
2. 推荐扭矩 0.4Nm;
3. TE 标签位置;
4. 参考表 2, 参考长度 "L"
- ** : 线缆长度, -0.5:0.5M, -1.0:1.0M, -1.5:1.5M...
5. 产品对插标示;
6. 参照表 2, 参考长度 "L"
线缆长度编码:
标准长度: 001...007
定制长度: >1.0M; XX0 或 XX5
例如: 3.5M:035; 15.0M:150...
<1.0M; 99X
例如: 0.4M:994; ...0.9M:999

TABLE 1

| TECHNICAL DATA | T40621X4003-00X | T40621X4004-00X |
|----------------------|-----------------|-----------------|
| RATED VOLTAGE | 60V | 30V |
| RATED CURRENT | 3A | |
| POLLETION DEGREE | 3 | |
| OVERVOLTAGE CATEGORY | II | |
| MATERIAL GROUP | II | |
| DEGREE OF PROTECTION | IP67 | |

| | | TE LABEL | ITEM |
|-------------|--------------|---------------------------|------|
| - | - | STEEL WAVE WASHER | 13 |
| - | - | STEEL SPRING | 12 |
| - | - | BRASS SHIELDING | 11 |
| - | - | CABLE | 10 |
| - | - | COPPER ALLOY COUPLING NUT | 9 |
| - | - | RUBBER O-RING | 8 |
| BALCK COLOR | PA66 | HOUSING | 7 |
| GOLD FLASH | COPPER ALLOY | CONTACT | 6 |
| - | COPPER ALOY | SHIELDING | 5 |
| BLUE COLOR | POLYURETHANE | OVER-MOLDING | 4 |
| - | COPPER ALLOY | COUPLING NUT | 3 |
| BALCK COLOR | PA66 | HOUSING | 2 |
| GOLD FLASH | COPPER ALLOY | CONTACT | 1 |
| COMMENTS | MATERIAL | DESCRIPTON | ITEM |



| | | | | | | | | |
|------------------------------------|--|--|---|--------------|----------------------------|------|-----------------|-------------|
| WIRES: 0.25mm ² (24AWG) | STANDARD: -001: 0.5M -002: 1.0M -003: 1.5M -004: 3.0M -005: 5.0M -006: 7.0M -007: 10.0M | FIXED: -25°C~80°C FLXIBLE: -10°C~80°C | GRAY | PUR (UL) | RPC-M8-4MS-**SH-M8-4FR-PUR | 4 | T4062124004-00X | |
| | CUSTOMIZATION: -XX0: XX.0 M -XX5: XX.5 M -99X: 0.X M | FIXED: -10°C~80°C FLXIBLE: -5°C~80°C | BLACK | PVC (UL) | RPC-M8-4MS-**SH-M8-4FR-PVC | 4 | T4062114004-00X | |
| | CABLE CHARACTERISTIC | LENGTH "L" | RECOMMEND OPERATION TEMPERATURE FOR CABLE | JACKET COLOR | JACKET MATERIAL | TYPE | POS. | PART NUMBER |
| | | | | | | | | |

THIS DRAWING IS A CONTROLLED DOCUMENT.

DIMENSIONS: mm

TOLERANCES UNLESS OTHERWISE SPECIFIED:

0 PLC ±
1 PLC ±0.35
2 PLC ±0.25
3 PLC ±
4 PLC ±

ANGLES ±

FINISH

DWN: Nick Pan 23FEB2016
CHK: Kobby Zhao 23FEB2016
APVD: Xiang Xu 23FEB2016

PRODUCT SPEC: 108-106140

APPLICATION SPEC: -

WEIGHT: -

CUSTOMER DRAWING

NAME: M8 CABLE ASSEMBLY SHIELDED TYPE DOUBLE ENDED

SIZE: A2

CAGE CODE: -

DRAWING NO: C-T40621X400X00X

RESTRICTED TO: -

SCALE: 1:1

SHEET: 1 OF 1

REV: B

Mouser Electronics

Authorized Distributor

Click to View Pricing, Inventory, Delivery & Lifecycle Information:

[TE Connectivity:](#)

[T4062114003-005](#)