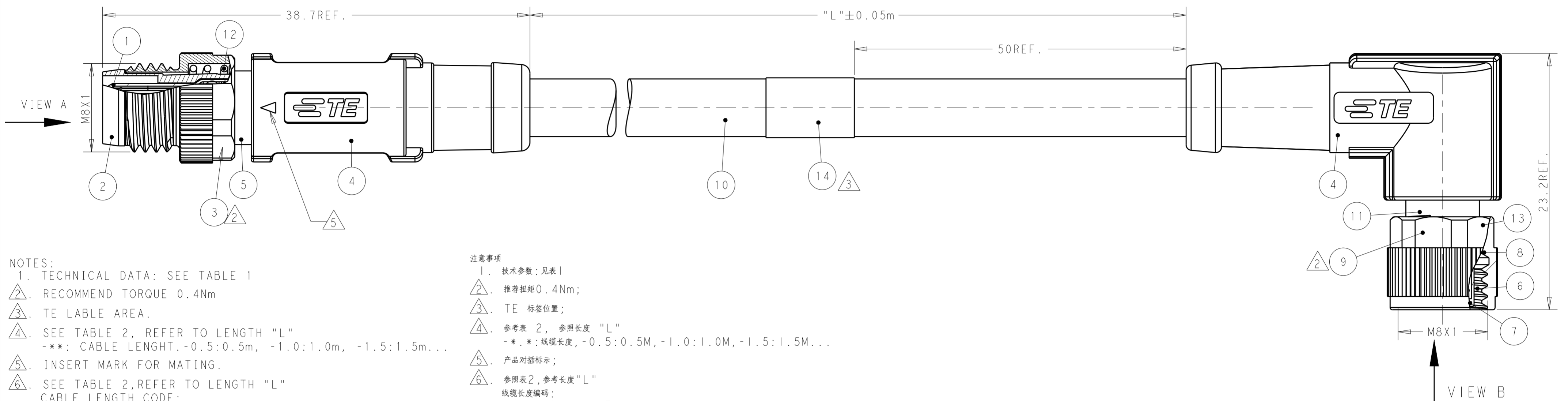


THIS DRAWING IS UNPUBLISHED. RELEASED FOR PUBLICATION 20  
 © COPYRIGHT 20 BY - ALL RIGHTS RESERVED.

REVISIONS				
P	LTR	DESCRIPTION	DATE	APVD
A		INITIAL RELEASE	02MAR2016	N.P X.X
B		PER ECR-20-003177	08JUL2020	B.P C.W



NOTES:

1. TECHNICAL DATA: SEE TABLE 1
2. RECOMMEND TORQUE 0.4Nm
3. TE LABEL AREA.
4. SEE TABLE 2, REFER TO LENGTH "L"  
- \*\* : CABLE LENGTH: -0.5:0.5m, -1.0:1.0m, -1.5:1.5m...
5. INSERT MARK FOR MATING.
6. SEE TABLE 2, REFER TO LENGTH "L"  
CABLE LENGTH CODE:  
STANDARD LENGTH: 001...007  
CUSTOMIZATION LENGTH: >1.0M; XX0 OR XX5  
EXAMPLE: 3.5M:035; 15.0M:150...  
<1.0M; 99X  
EXAMPLE: 0.4M:994; ...0.9M:999

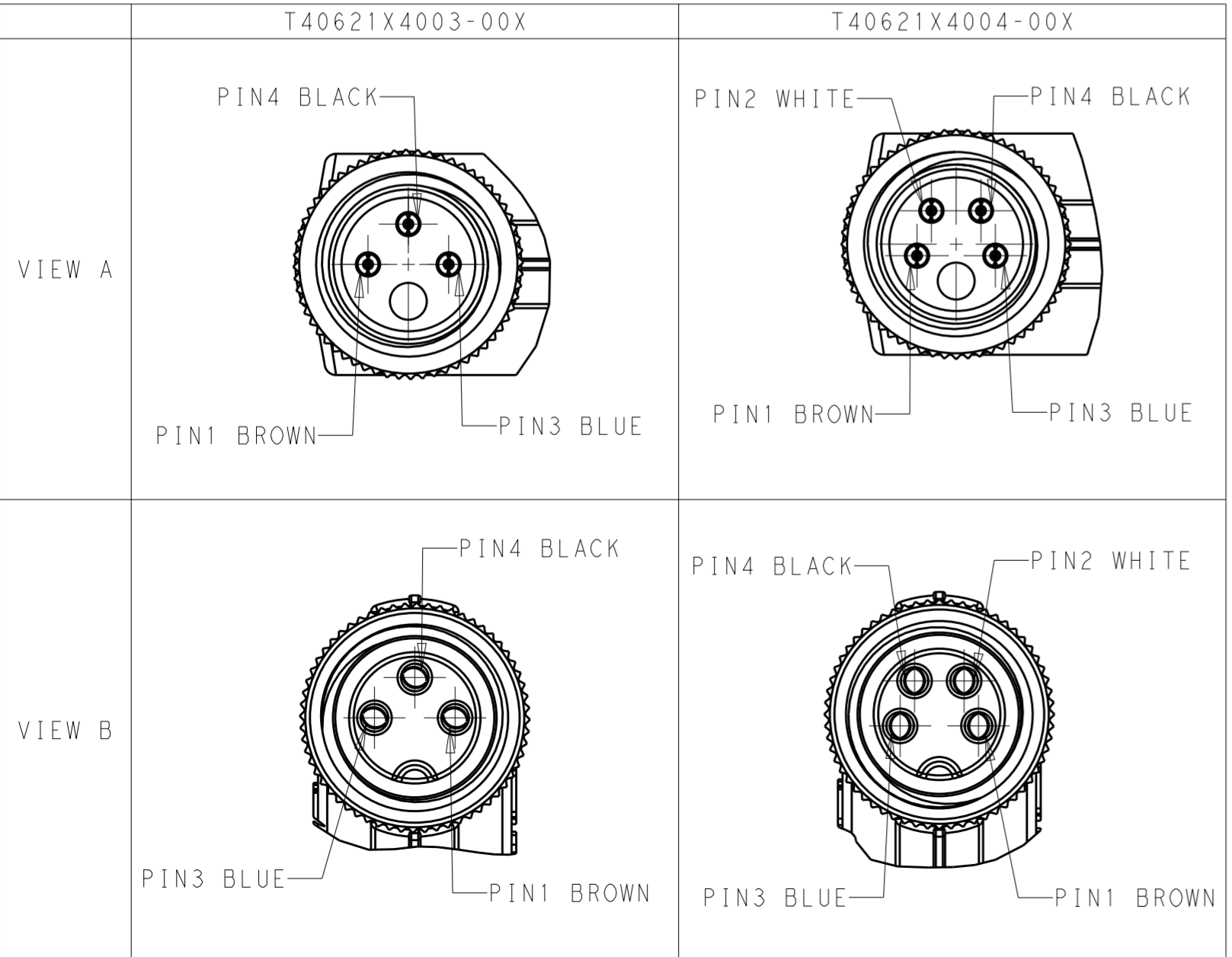
注意事项

1. 技术参数: 见表 1
2. 推荐扭矩 0.4Nm;
3. TE 标签位置;
4. 参考表 2, 参考长度 "L"  
- \*\* : 线缆长度, -0.5:0.5M, -1.0:1.0M, -1.5:1.5M...
5. 产品对插标示;
6. 参照表 2, 参考长度 "L"  
线缆长度编码:  
标准长度: 001...007  
定制长度: >1.0M; XX0 或 XX5  
例如: 3.5M:035; 15.0M:150...  
<1.0M; 99X  
例如: 0.4M:994; ...0.9M:999

TABLE 1

TECHNICAL DATA	T40621X4003-00X	T40621X4004-00X
RATED VOLTAGE	60V	30V
RATED CURRENT	3A	
POLLETION DEGREE	3	
OVERVOLTAGE CATEGORY	II	
MATERIAL GROUP	II	
DEGREE OF PROTECTION	IP67	

		TE LABEL	ITEM
-	-	STEEL WAVE WASHER	13
-	-	STEEL SPRING	12
-	-	BRASS SHIELDING	11
-	-	CABLE	10
-	-	COPPER ALLOY COUPLING NUT	9
-	-	RUBBER O-RING	8
BALCK COLOR	PA66	HOUSING	7
GOLD FLASH	COPPER ALLOY	CONTACT	6
-	COPPER ALOY	SHIELDING	5
BLUE COLOR	POLYURETHANE	OVER-MOLDING	4
-	COPPER ALLOY	COUPLING NUT	3
BALCK COLOR	PA66	HOUSING	2
GOLD FLASH	COPPER ALLOY	CONTACT	1
COMMENTS	MATERIAL	DESCRIPTON	ITEM



WIRES: 0.25mm <sup>2</sup> (24AWG)	STANDARD: -001: 0.5M -002: 1.0M -003: 1.5M -004: 3.0M -005: 5.0M -006: 7.0M -007: 10.0M	FIXED: -25°C~80°C FLXIBLE: -10°C~80°C	GRAY	PUR (UL)	RPC-M8-4MS-**SH-M8-4FR-PUR	4	T4062124004-00X	
	CUSTOMIZATION: -XX0: XX.0 M -XX5: XX.5 M -99X: 0.X M	FIXED: -10°C~80°C FLXIBLE: -5°C~80°C	BLACK	PVC (UL)	RPC-M8-4MS-**SH-M8-4FR-PVC	4	T4062114004-00X	
	CABLE CHARACTERISTIC	LENGTH "L"	RECOMMEND OPERATION TEMPERATURE FOR CABLE	JACKET COLOR	JACKET MATERIAL	TYPE	POS.	PART NUMBER
	THIS DRAWING IS A CONTROLLED DOCUMENT.		DWN Nick Pan 23FEB2016 CHK Kobby Zhao 23FEB2016 APVD Xiang Xu 23FEB2016		NAME M8 CABLE ASSEMBLY SHIELDED TYPE DOUBLE ENDED			
DIMENSIONS: mm		TOLERANCES UNLESS OTHERWISE SPECIFIED:		PRODUCT SPEC 108-106140		APPLICATION SPEC		
MATERIAL		FINISH		WEIGHT		SCALE 1:1 SHEET 1 OF 1 REV B		

# Mouser Electronics

Authorized Distributor

Click to View Pricing, Inventory, Delivery & Lifecycle Information:

[TE Connectivity:](#)

[T4062124003-004](#)