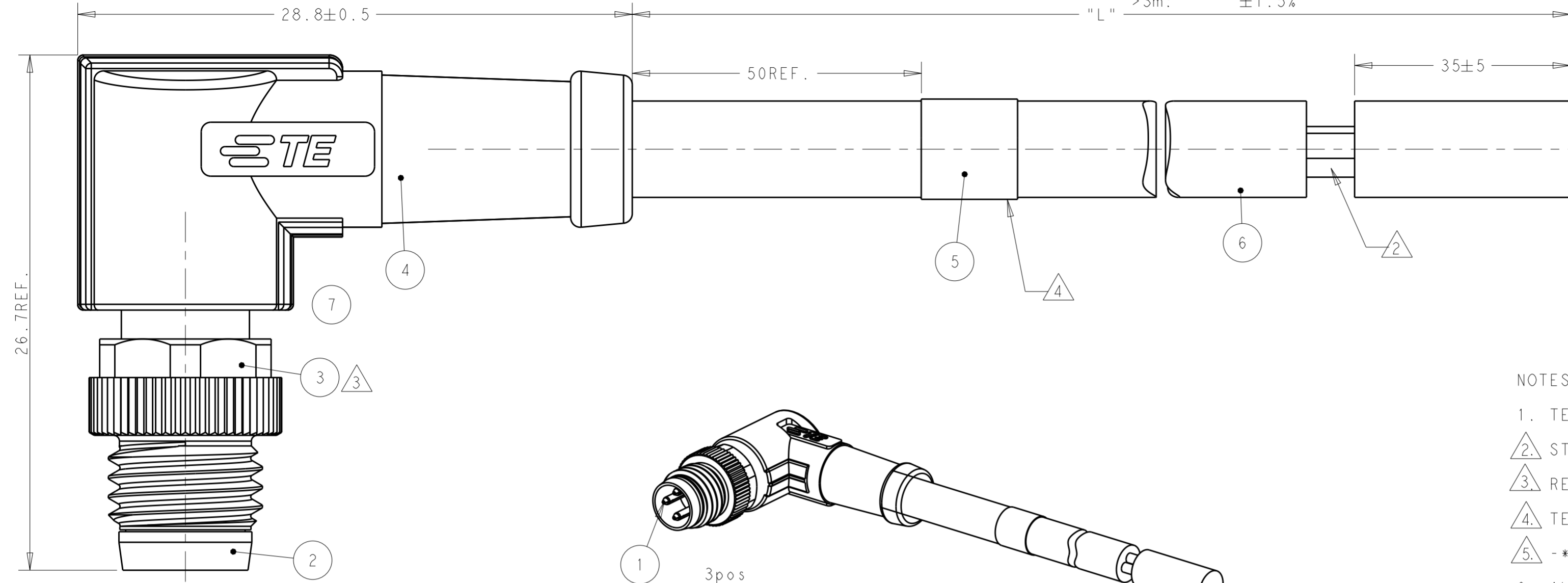


THIS DRAWING IS UNPUBLISHED. RELEASED FOR PUBLICATION 20  
 © COPYRIGHT 20 BY - ALL RIGHTS RESERVED.

| REVISIONS |     |                   |           |         |
|-----------|-----|-------------------|-----------|---------|
| P         | LTR | DESCRIPTION       | DATE      | APVD    |
| A         |     | INITIAL RELEASE   | 02MAR2016 | N.P X.X |
| A1        |     | PER ECR-16-010253 | 21JUL2016 | N.P X.X |

0m TO 1m: ±0.05m  
 1m TO 3m: ±0.10m  
 >3m: ±1.5%



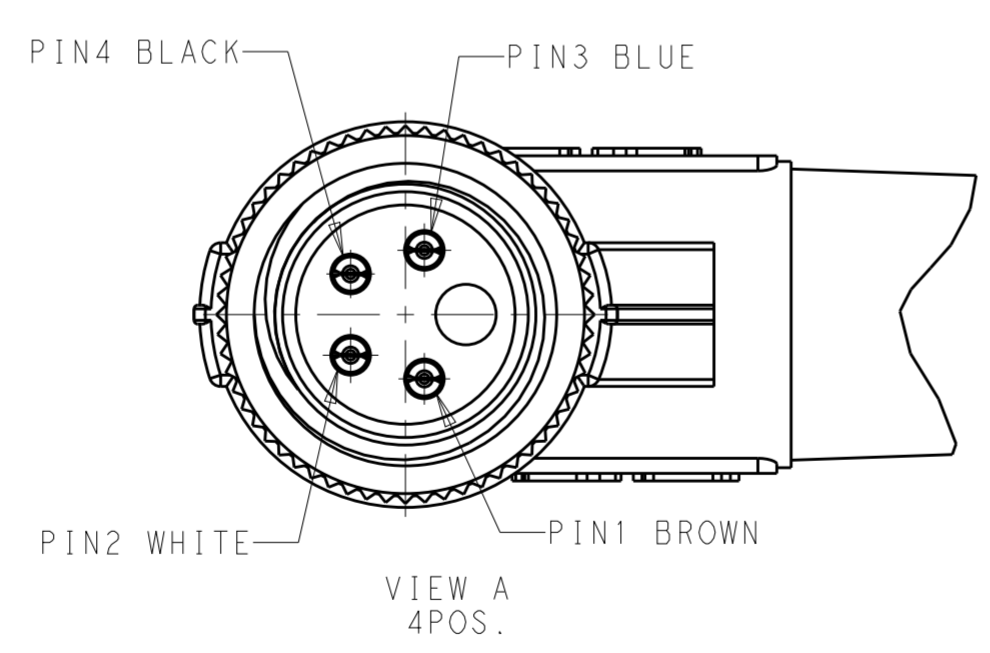
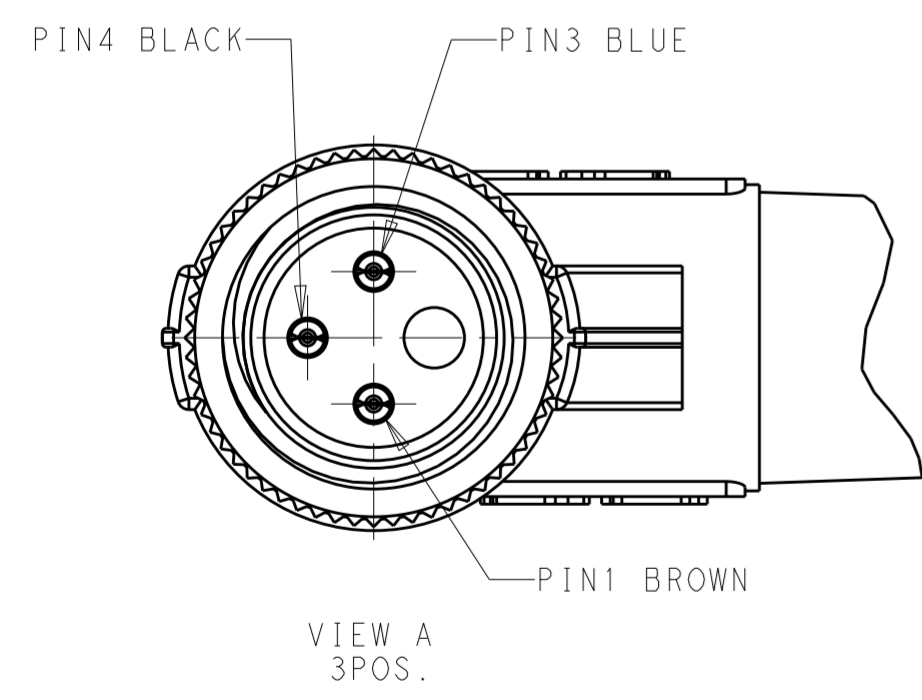
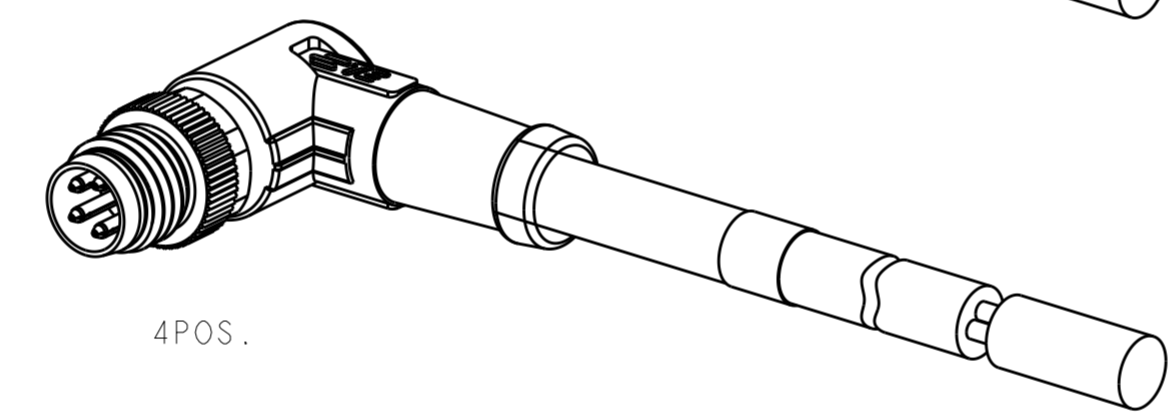
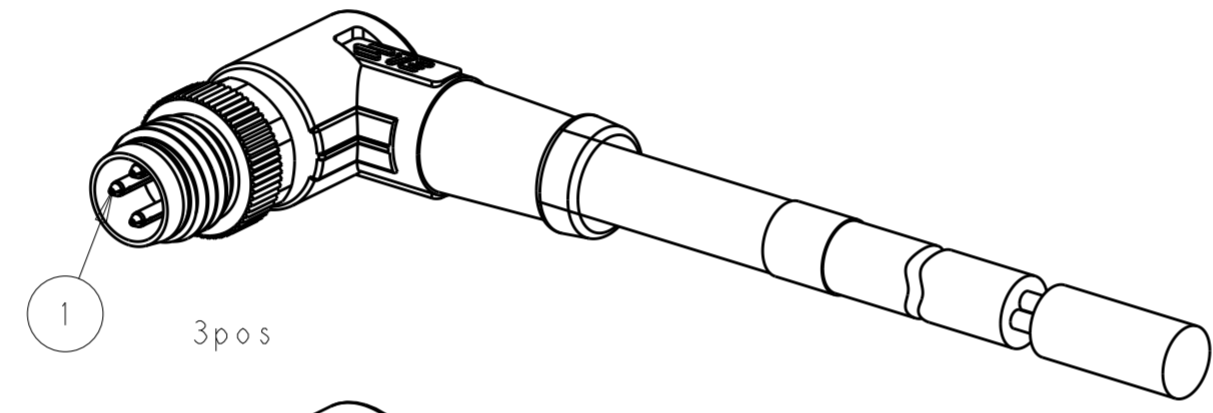
NOTES:

- 1. TECHNICAL DATA: SEE TABLE 1
- 2. STRIP AND RETAIN THE INSULATION
- 3. RECOMMEND TORQUE 0.4Nm
- 4. TE LABEL AREA.
- 5. -\*\* : CABLE LENGTH: -0.5:0.5m, -1.0:1.0m, -1.5:1.5m...
- 6. ALL PRODUCT MUST COMPLIANCE WITH ROHS AND REACH.

注意事项

- 1. 技术参数：见表1
- 2. 剥线并保留绝缘层；
- 3. 推荐扭矩0.4Nm；
- 4. TE 标签位置；
- 5. -\*\*线长：-0.5:0.5m, -1.0:1.0m, -1.5:1.5m
- 6. 产品必须符合ROHS与REACH.

VIEW A



| ITEM | DESCRIPTION  | MATERIAL     | QUANTITY |
|------|--------------|--------------|----------|
| 7    | SHIELDING    | BRASS        | 7        |
| 6    | CABLE        | -            | 6        |
| 5    | LABEL        | -            | 5        |
| 4    | OVER-MOLDING | POLYURETHANE | 4        |
| 3    | COUPLING NUT | COPPER ALLOY | 3        |
| 2    | HOUSING      | PA66         | 2        |
| 1    | CONTACT      | COPPER ALLOY | 1        |

| CABLE CHARACTERISTIC               | LENGTH "L"   | CABLE TEMP. RANGE                              | JACKET COLOR | JACKET MATERIAL | TYPE                    | POS. | PART NUMBER     |
|------------------------------------|--|--|--------------|-----------------|-------------------------|------|-----------------|
| WIRES: 0.25mm <sup>2</sup> (24AWG) | STANDARD:<br>-001: 0.5m<br>-002: 1.0m<br>-003: 1.5m<br>-004: 3.0m<br>-005: 5.0m<br>-006: 7.0m<br>-007: 10.0m | FIXED:<br>-40°C~80°C<br>FLXIBLE:<br>-25°C~80°C | GRAY         | PUR (UL)        | RPC-M8-MR-4CON-PUR-**SH | 4    | T4061220004-00X |
|                                    |  |  |              |                 | RPC-M8-MR-3CON-PUR-**SH | 3    | T4061220003-00X |
|                                    | CUSTOMIZATION:<br>-**0: 00.0m<br>-001: **.5m   | FIXED:<br>-10°C~80°C<br>FLXIBLE:<br>-5°C~80°C  | BLACK        | PVC (UL)        | RPC-M8-MR-4CON-PVC-**SH | 4    | T4061210004-00X |
|                                    |  |  |              |                 | RPC-M8-MR-3CON-PVC-**SH | 3    | T4061210003-00X |

TABLE 1

| TECHNICAL DATA       | T40612X0003-00X | T40612X0004-00X |
|----------------------|-----------------|-----------------|
| RATED VOLTAGE        | 60V             | 30V             |
| RATED CURRENT        |                 | 3A              |
| POLLETION DEGREE     |                 | 3               |
| OVERVOLTAGE CATEGORY |                 | II              |
| MATERIAL GROUP       |                 | II              |
| DEGREE OF PROTECTION |                 | IP67            |

THIS DRAWING IS A CONTROLLED DOCUMENT.

DIMENSIONS: mm

TOLERANCES UNLESS OTHERWISE SPECIFIED:

|        |       |  |
|--------|-------|--|
| 0 PLC  | ±     |  |
| 1 PLC  | ±0.50 |  |
| 2 PLC  | ±0.35 |  |
| 3 PLC  | ±     |  |
| 4 PLC  | ±     |  |
| ANGLES | ±     |  |
| FINISH |       |  |

MATERIAL: TBD

APPROVALS:

|      |            |           |
|------|------------|-----------|
| DWN  | Nick Pan   | 28JAN2016 |
| CHK  | Kobby Zhao | 28JAN2016 |
| APVD | Xiang Xu   | 28JAN2016 |

PRODUCT SPEC: 108-106140

APPLICATION SPEC: -

WEIGHT: -

CUSTOMER DRAWING

SCALE: 1:1 SHEET 1 OF 1 REV A1

STE TE Connectivity

M8 CABLE ASSEMBLY SHIELDED RIGHT ANGLE, MALE, SINGLE END TYPE

SIZE: A2 CAGE CODE: - DRAWING NO: T40612X000X00X RESTRICTED TO: -

# Mouser Electronics

Authorized Distributor

Click to View Pricing, Inventory, Delivery & Lifecycle Information:

[TE Connectivity:](#)

[T4061220003-001](#)