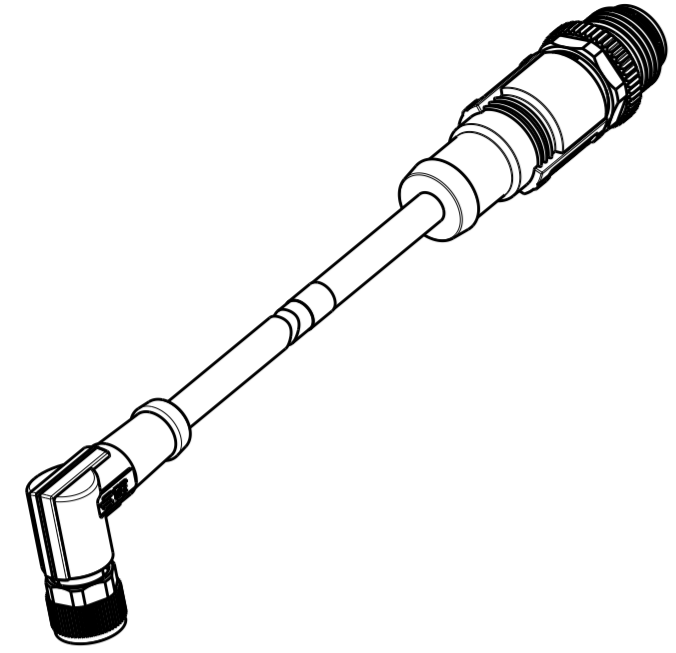
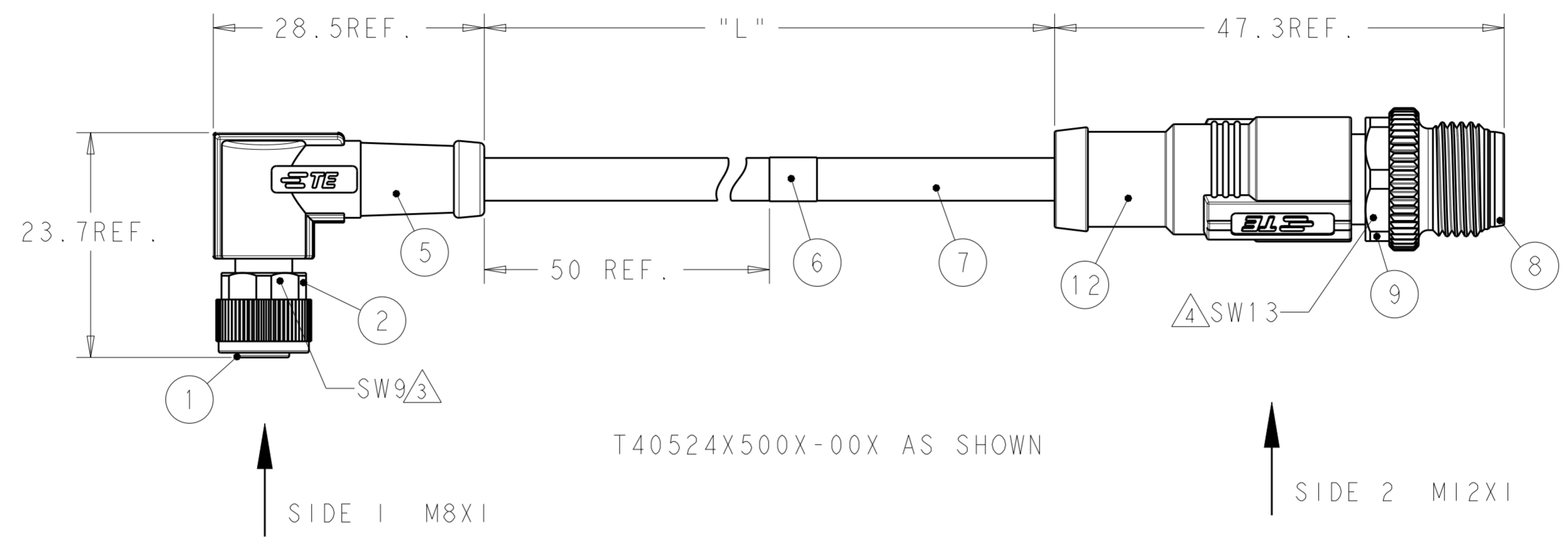


THIS DRAWING IS UNPUBLISHED. RELEASED FOR PUBLICATION  
 © COPYRIGHT copyright\_d8Te- ALL RIGHTS RESERVED.

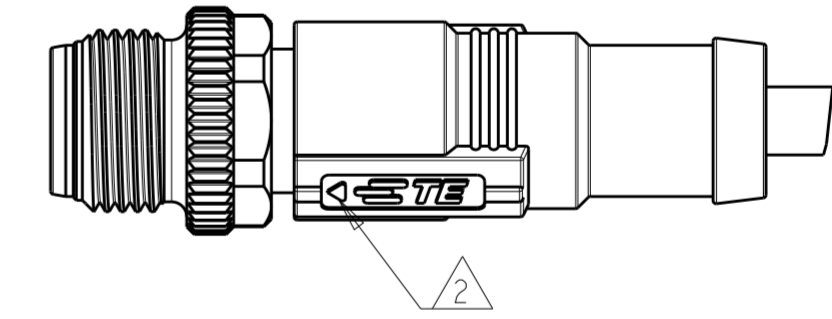
REVISIONS				
P	LTR	DESCRIPTION	DATE	APVD
A		NEW RELEASE PER ECR-18-012916	22OCT2018	AZ CW



SCALE 1:1



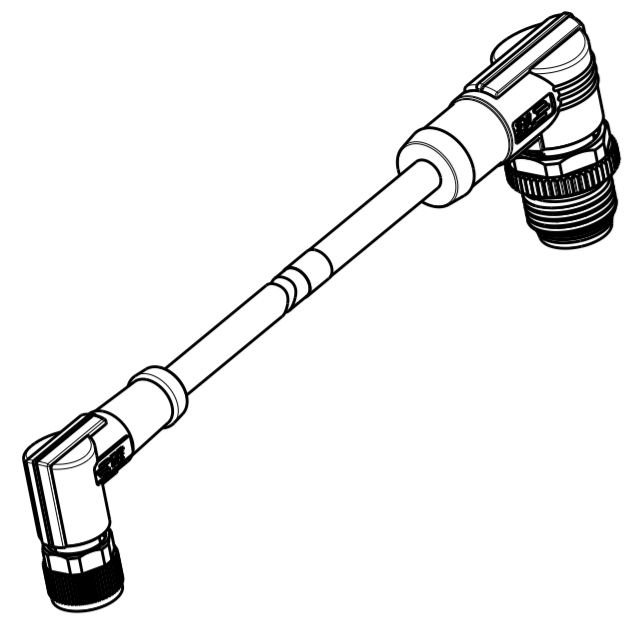
	T40524X5003-00X	T40524X5004-00X
SIDE 1		
SIDE 2		



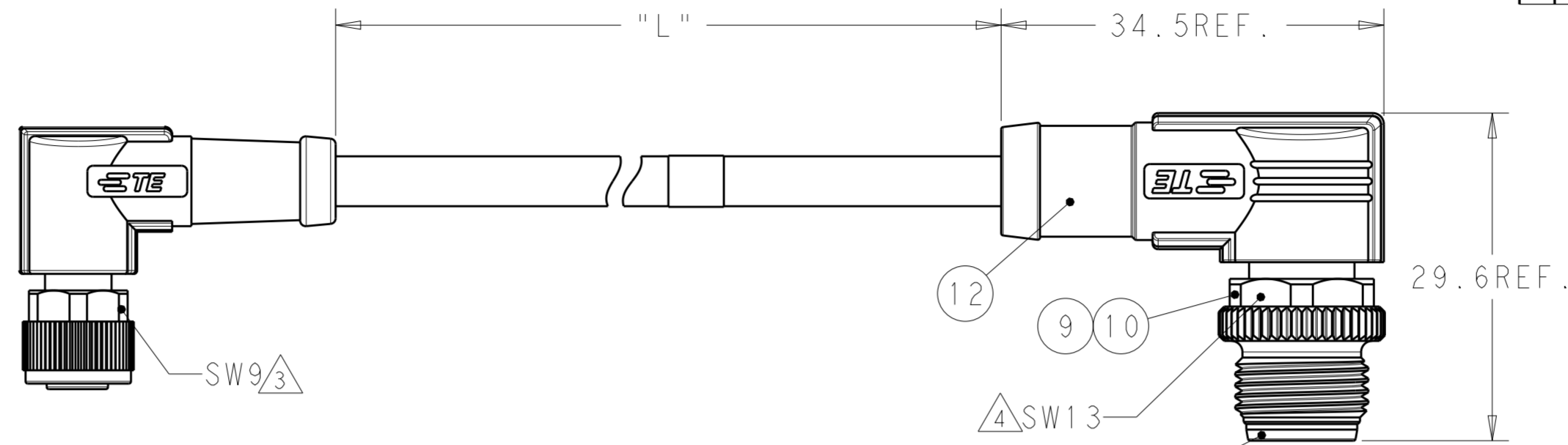
THIS DRAWING IS A CONTROLLED DOCUMENT.		DWN 31 JUL 2018 ALEX ZHANG	TE Connectivity			
		CHK 31 JUL 2018 HART HE				
		APVD 31 JUL 2018 CHRIS WANG	NAME CABLE JUMPER, UNSHIELDED M8 FR TO M12 MS OR MR, A-CODE			
DIMENSIONS: mm		PRODUCT SPEC 108-106140	SIZE A2	CAGE CODE -	DRAWING NO. C-T40524XX00XXXX	RESTRICTED TO -
TOLERANCES UNLESS OTHERWISE SPECIFIED:		APPLICATION SPEC 114-137144	SCALE 1:1	SHEET 1 OF 3	REV A	
MATERIAL -		WEIGHT -	CUSTOMER DRAWING			

THIS DRAWING IS UNPUBLISHED. RELEASED FOR PUBLICATION  
 © COPYRIGHT copyright.d8Te- ALL RIGHTS RESERVED.

REVISIONS				
P	LTR	DESCRIPTION	DATE	APVD
-	-	SEE SHEET 1	-	-



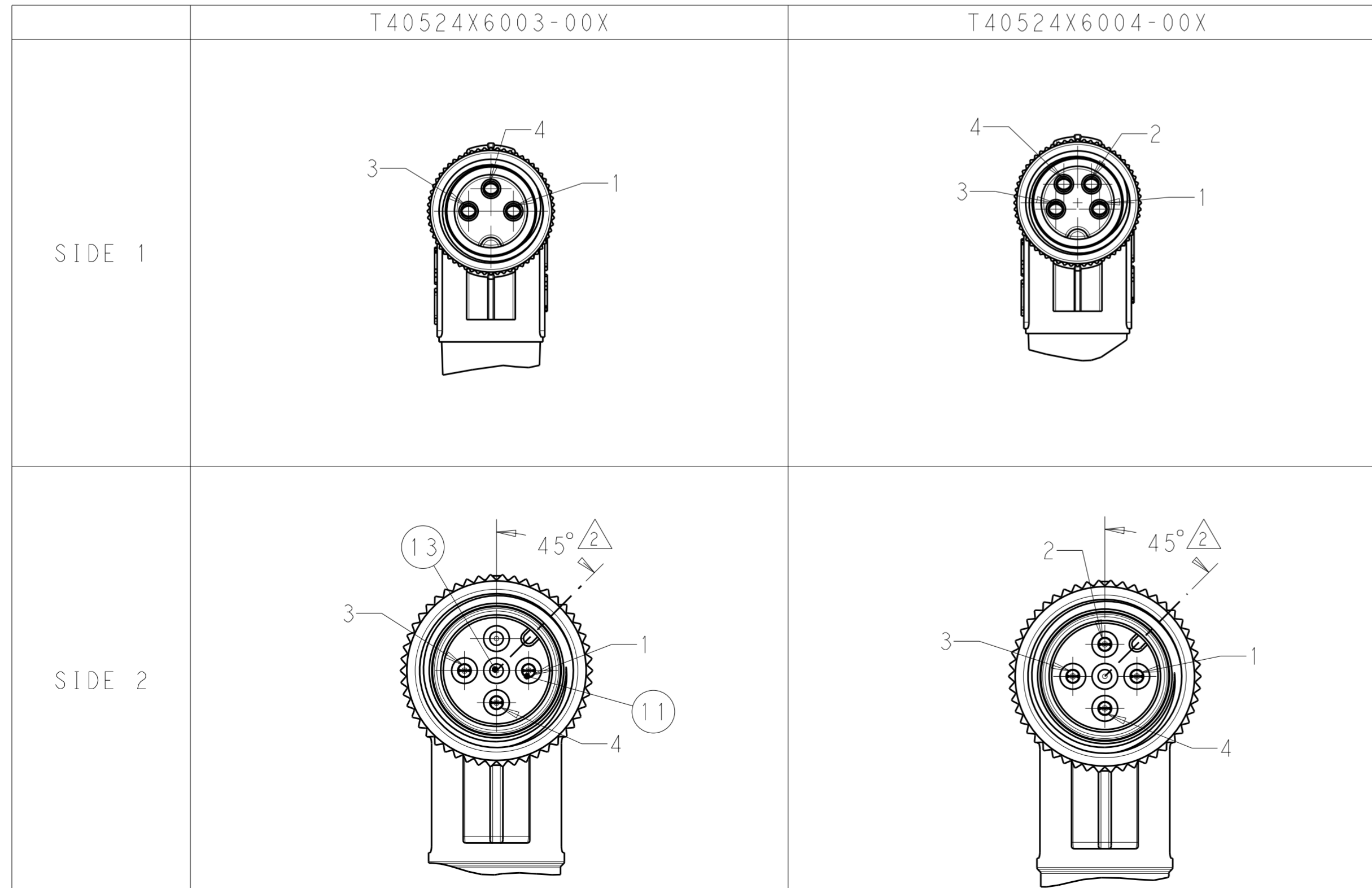
SCALE 1:1



T40524X600X-00X AS SHOWN

↑ SIDE 1 M8X1

↑ SIDE 2 M12X1



THIS DRAWING IS A CONTROLLED DOCUMENT.		DWN ALEX ZHANG 31 JUL 2018	TE Connectivity	
		CHK HART HE 31 JUL 2018		
		APVD CHRIS WANG 31 JUL 2018		
		PRODUCT SPEC		
DIMENSIONS: mm		108-106140	NAME CABLE JUMPER, UNSHIELDED	
TOLERANCES UNLESS OTHERWISE SPECIFIED:		114-137144	M8 FR TO M12 MS OR MR, A-CODE	
0 PLC ±-		WEIGHT -	SIZE A2	CAGE CODE -
1 PLC ±-		CUSTOMER DRAWING	DRAWING NO. C-T40524XX00XXXX	RESTRICTED TO -
2 PLC ±-		SCALE 1:1	SHEET 2 OF 3	REV A
3 PLC ±-				
4 PLC ±-				
ANGLES ±-				
FINISH -				

THIS DRAWING IS UNPUBLISHED. RELEASED FOR PUBLICATION  
 © COPYRIGHT copyright.d8Te- ALL RIGHTS RESERVED.

REVISIONS				
P	LTR	DESCRIPTION	DATE	APVD
-	-	SEE SHEET 1	-	-

TECHNICAL DATA	T4052415003-00X	T4052425003-00X	T4052416003-00X	T4052426003-00X	T4052415004-00X	T4052425004-00X	T4052416004-00X	T4052426004-00X
RATED VOLTAGE	60V				30V			
RATED CURRENT					3A			
POLLUTION DEGREE	3							
OVERVOLTAGE CATEGORY	II							
MATERIAL GROUP	II							
DEGREE OF PROTECTION	IP67							

WIRES: 0.25mm <sup>2</sup> (24AWG) WIRE COLOR: 1-BROWN, 2-WHITE, 3-BLUE, 4-BLACK OD: APROX. 5.0MM	STANDARD: -001: 0.5m -002: 1.0m -003: 1.5m -004: 3.0m -005: 5.0m -006: 7.0m -007: 10.0m CUSTOMIZATION: -99X: <1.0M -XXX: >1.0M -AAX: 99.XM EXAMPLE: -035=3.5M -150=15.0M -994=0.4M	FIXED: -40°C~80°C FLXIBLE: -25°C~80°C	GRAY	PUR (UL)	RPC-M8-4FR-***-M12-4MR-PUR	4	T4052426004-00X
WIRES: 0.25mm <sup>2</sup> (24AWG) WIRE COLOR: 1-BROWN, 3-BLUE, 4-BLACK OD: APROX. 4.5MM	TOLERANCE: 0m TO 1m: ±0.05m 1m TO 3m: ±0.1m >3m: ±1.5%	FIXED: -10°C~80°C FLXIBLE: -5°C~80°C	BLACK	PVC (UL)	RPC-M8-4FR-***-M12-4MS-PUR	4	T4052425004-00X
RPC-M8-3FR-***-M12-3MR-PUR					3	T4052426003-00X	
RPC-M8-3FR-***-M12-3MS-PUR					3	T4052425003-00X	
RPC-M8-4FR-***-M12-4MR-PVC					4	T4052416004-00X	
WIRES: 0.25mm <sup>2</sup> (24AWG) WIRE COLOR: 1-BROWN, 2-WHITE, 3-BLUE, 4-BLACK OD: APROX. 4.5MM	TOLERANCE: 0m TO 1m: ±0.05m 1m TO 3m: ±0.1m >3m: ±1.5%	FIXED: -10°C~80°C FLXIBLE: -5°C~80°C	BLACK	PVC (UL)	RPC-M8-4FR-***-M12-4MS-PVC	4	T4052415004-00X
RPC-M8-3FR-***-M12-3MR-PVC					3	T4052416003-00X	
RPC-M8-3FR-***-M12-3MS-PVC					3	T4052415003-00X	
CABLE CHARACTERISTIC	LENGTH "L"	CABLE TEMP. RANGE	JACKET COLOR	JACKET MATERIAL	TYPE	POS.	PART NUMBER

NOTES:

1. TECHNICAL DATA: SEE TABLE 1
- CODE POSITION INDICATOR
- RECOMMEND TORQUE 0.4Nm
- RECOMMEND TORQUE 0.6Nm
- TE LABEL AREA, INCLUDING PN, DATE CODE...
- 00X: FOR CABLE LENGHT, SEE TABLE 2 AND REFFER TO LENGTH "L"
- \*\* : CABLE LENGTH, -0.5:0.5M; -1.0:1.0M; -1.5:1.5M
8. CABLE ASSEMBLY TO BE PACKAGED IN POLYBAGS;

POLE NO.	M8 A CODE	M12 A CODE
1	BROWN	BROWN
2	WHITE	WHITE
3	BLUE	BLUE
4	BLACK	BLACK

BLACK	PA66	END CAP	13
BLUE	TPU	M12 OVER-MOLDING	12
GOLD FLASH	COPPER ALLOY	MALE CONTACT	11
-	SUS	SPRING	10
NICKEL PLATED	COPPER ALLOY	M12, MALE NUT	9
BLACK	PA66	M12, MALE HSG, A CODE, 5PINS	8
-	-	CABLE	7
-	-	TE LABEL	6
BLUE	TPU	M8 RA OVERMOLDING	5
GRAY	SILICONE	O-RING	4
GOLD FLASH	COPPER ALLOY	M8 FEMALE CONTACT	3
NICKEL PLATED	COPPER ALLOY	M8 FEMALE NUT	2
BALCK COLOR	PA66	M8 FEMALE HOUSING	1
COMMENTS 备注	MATERIAL 材质	DESCRIPTION 描述	ITEM NO 序号

注意事项

1. 技术参数: 见表1
- CODE 位置指示;
- 推荐扭矩 0.4 Nm;
- 推荐扭矩 0.6 Nm;
- TE 标签位置 包含产品编号 日期代码...
- 00X: 线长参考表2 参照长度 "L"
- \*\* : 线长, -0.5:0.5M; -1.0:1.0M; -1.5:1.5M
8. 线缆组件塑料袋包装;

THIS DRAWING IS A CONTROLLED DOCUMENT.		DWN ALEX ZHANG 31 JUL 2018	TE Connectivity	
DIMENSIONS: mm		CHK HART HE 31 JUL 2018		
TOLERANCES UNLESS OTHERWISE SPECIFIED:		APVD CHRIS WANG 31 JUL 2018	NAME CABLE JUMPER, UNSHIELDED M8 FR TO M12 MS OR MR, A-CODE	
0 PLC ± 1 PLC ± 2 PLC ± 3 PLC ± 4 PLC ± ANGLES ±		PRODUCT SPEC 108-106140	SIZE A2	
MATERIAL		APPLICATION SPEC 114-137144	CAGE CODE -	
FINISH		WEIGHT -	DRAWING NO T40524XX00XXXX	
-		CUSTOMER DRAWING	RESTRICTED TO -	
-		SCALE 1:1	SHEET 3 OF 3	
-		REV A		

# Mouser Electronics

Authorized Distributor

Click to View Pricing, Inventory, Delivery & Lifecycle Information:

[TE Connectivity:](#)

[T4052426003-003](#)