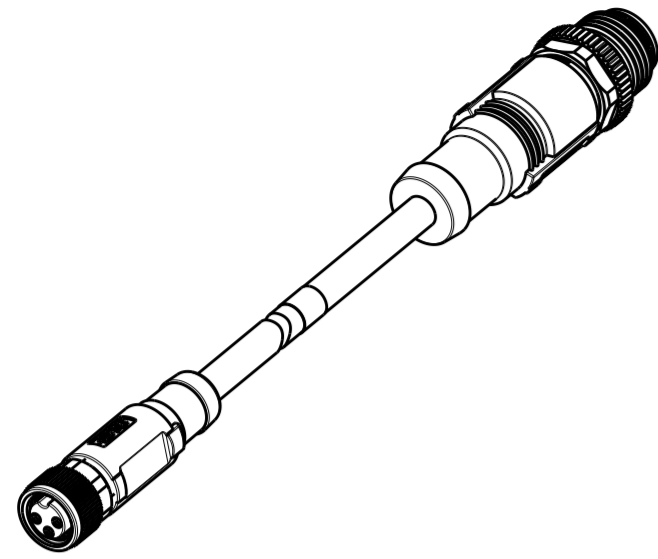
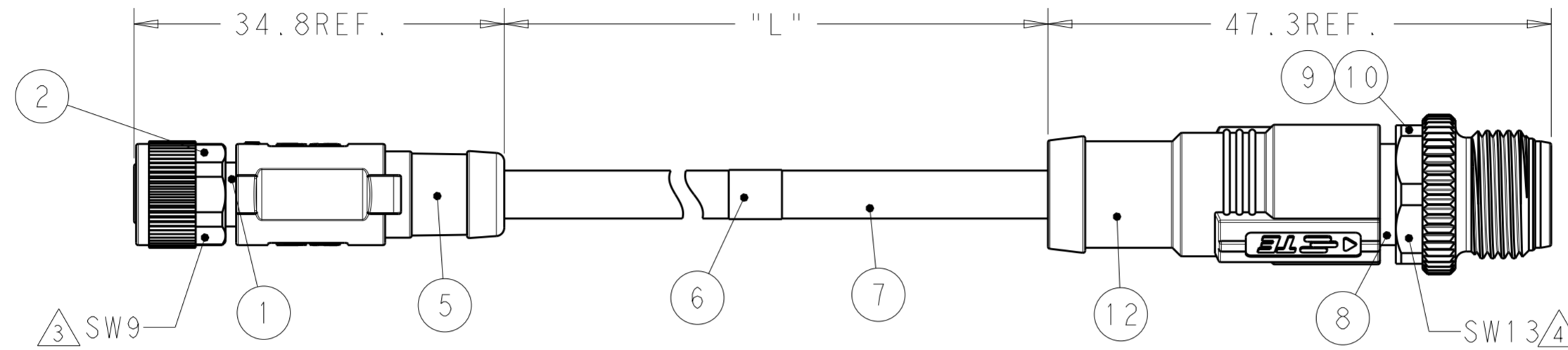
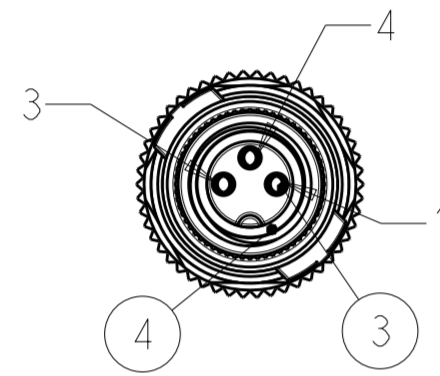


THIS DRAWING IS UNPUBLISHED. RELEASED FOR PUBLICATION
 © COPYRIGHT copyright.d8te- ALL RIGHTS RESERVED.

REVISIONS				
P	LTR	DESCRIPTION	DATE	APVD
A		NEW RELEASE PER ECR-18-012916	22OCT2018	AZ CW



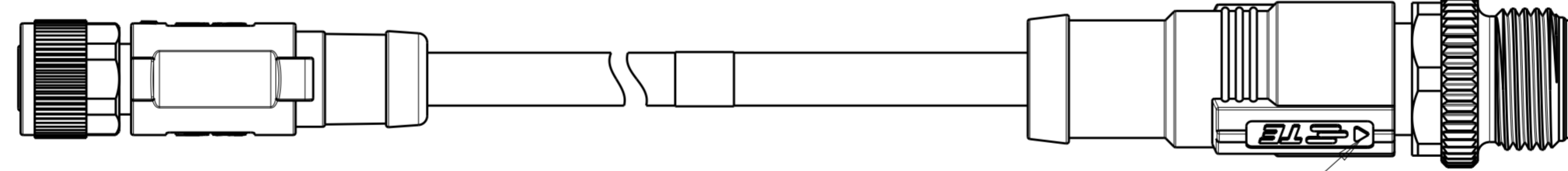
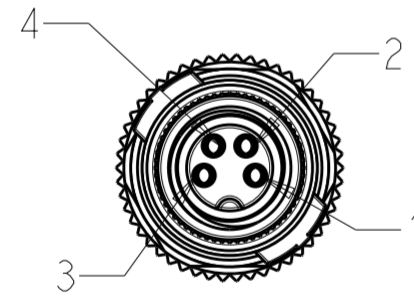
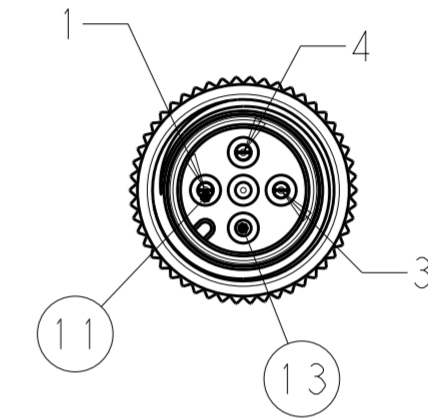
SCALE 1:1



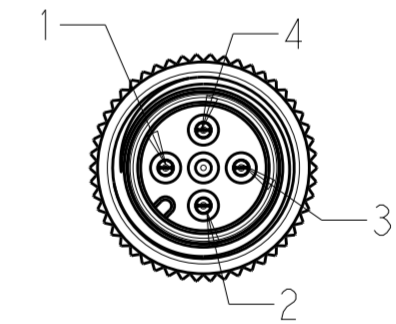
T40523X5003-00X AS SHOWN 3POLES

SIDE 1
M8X1

SIDE 2
M12X1



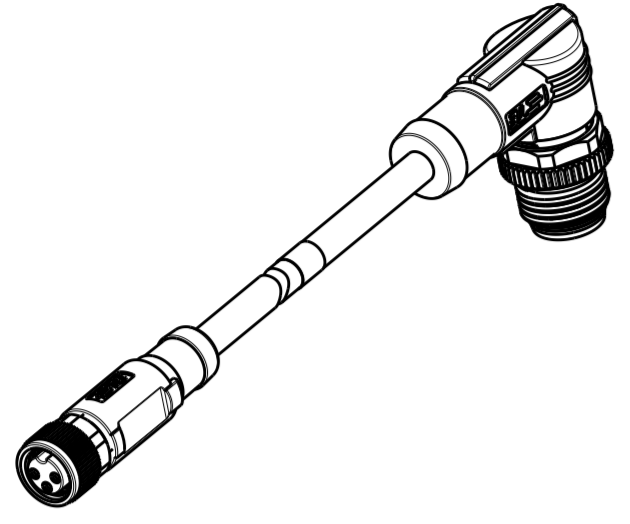
T40523X5004-00X AS SHOWN 4POLES



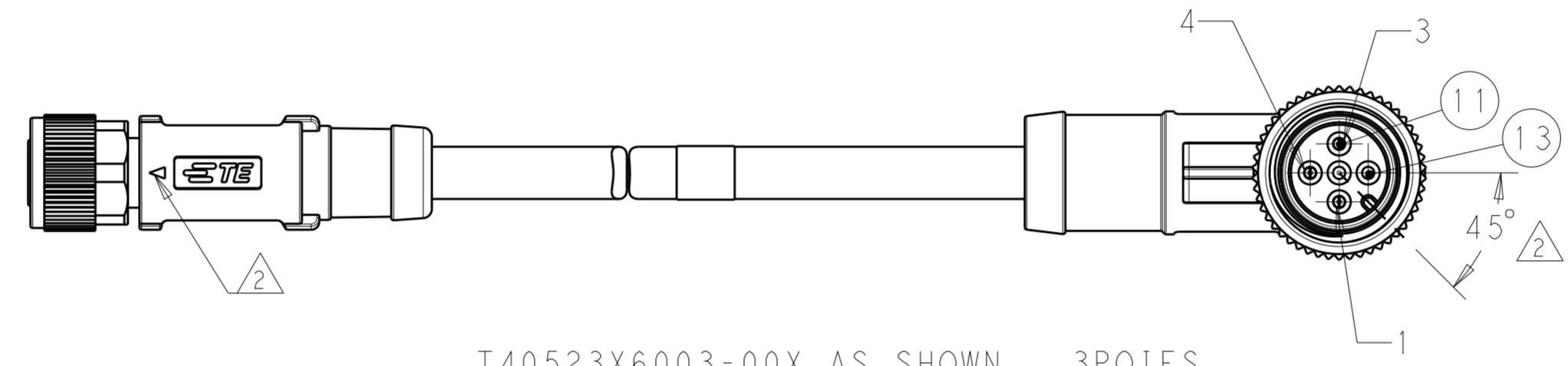
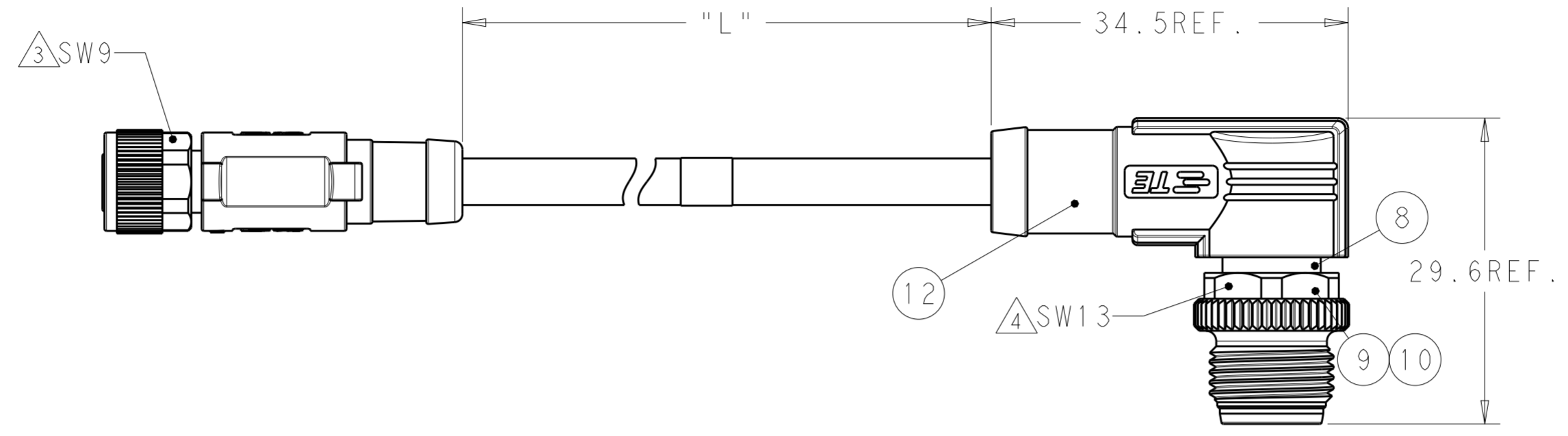
THIS DRAWING IS A CONTROLLED DOCUMENT.		DWN ALEX ZHANG 31 JUL 2018	TE Connectivity	
DIMENSIONS: mm		CHK HART HE 31 JUL 2018		
TOLERANCES UNLESS OTHERWISE SPECIFIED:		APVD CHRIS WANG 31 JUL 2018	NAME CABLE JUMPER, UNSHIELDED M8 FS TO M12 MS OR MR, A-CODE	
0 PLC ± 1 PLC ± 2 PLC ± 3 PLC ± 4 PLC ± ANGLES ± FINISH -		PRODUCT SPEC 108-106140	RESTRICTED TO	
MATERIAL material_2		APPLICATION SPEC 114-137144	SIZE A2	CAGE CODE -
finish_spec_2		WEIGHT -	DRAWING NO G-T40523XX00XXXX	
CUSTOMER DRAWING		SCALE 2:1		SHEET 1 OF 3
		REV A		

THIS DRAWING IS UNPUBLISHED. RELEASED FOR PUBLICATION
 © COPYRIGHT copyright.d8Te- ALL RIGHTS RESERVED.

REVISIONS				
P	LTR	DESCRIPTION	DATE	APVD
-	-	SEE SHEET 1	-	-



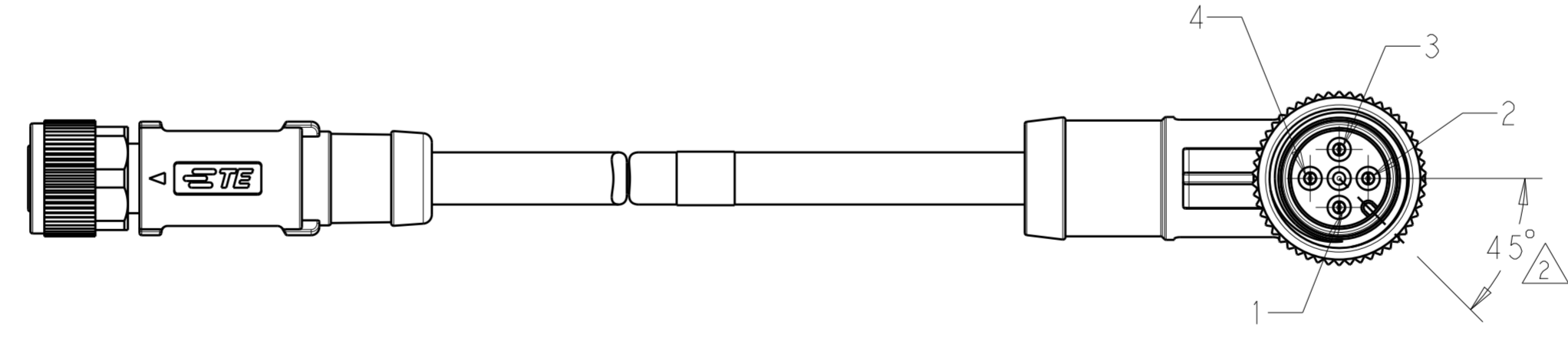
SCALE 1:1



T40523X6003-00X AS SHOWN 3POLES

SIDE 1
M8X1

SIDE 2
M12X1



T40523X6004-00X AS SHOWN 4POLES

THIS DRAWING IS A CONTROLLED DOCUMENT.		DWN ALEX ZHANG 31 JUL 2018	TE Connectivity	
		CHK HART HE 31 JUL 2018		
		APVD CHRIS WANG 31 JUL 2018	NAME CABLE JUMPER, UNSHIELDED M8 FS TO M12 MS OR MR, A-CODE	
DIMENSIONS: mm		PRODUCT SPEC 108-106140		SIZE A2
TOLERANCES UNLESS OTHERWISE SPECIFIED: 0 PLC ± 1 PLC ± 2 PLC ± 3 PLC ± 4 PLC ± ANGLES ± FINISH		APPLICATION SPEC 114-137144		CAGE CODE -
MATERIAL material_2		WEIGHT -		DRAWING NO G-T40523XX00XXX
		CUSTOMER DRAWING		RESTRICTED TO -
		SCALE 2:1		SHEET 2 OF 3
				REV A

THIS DRAWING IS UNPUBLISHED. RELEASED FOR PUBLICATION
 © COPYRIGHT copyright.d8Te- ALL RIGHTS RESERVED.

REVISIONS				
P	LTR	DESCRIPTION	DATE	APVD
-		SEE SHEET 1	-	-

TECHNICAL DATA	T4052315003-00X	T4052325003-00X	T4052316003-00X	T4052326003-00X	T4052315004-00X	T4052325004-00X	T4052316004-00X	T4052326004-00X
RATED VOLTAGE	60V				30V			
RATED CURRENT	3A							
POLLUTION DEGREE	3							
OVERVOLTAGE CATEGORY	II							
MATERIAL GROUP	II							
DEGREE OF PROTECTION	IP67							

WIRES: 0.25mm ² (24AWG) WIRE COLOR: 1-BROWN, 2-WHITE, 3-BLUE, 4-BLACK OD: APROX. 5.0MM	STANDARD: -001: 0.5m -002: 1.0m -003: 1.5m -004: 3.0m -005: 5.0m -006: 7.0m -007: 10.0m CUSTOMIZATION: -99X: <1.0M -XXX: >1.0M -AAX: 99.XM EXAMPLE: -035=3.5M -150=15.0M -994=0.4M	FIXED: -40°C~80°C FLXIBLE: -25°C~80°C	GRAY	PUR (UL)	RPC-M8-4FS-**-M12-4MR-PUR	4	T4052326004-00X
WIRES: 0.25mm ² (24AWG) WIRE COLOR: 1-BROWN, 3-BLUE, 4-BLACK OD: APROX. 4.5MM <td rowspan="2">TOLERANCE: 0m TO 1m: ±0.05m 1m TO 3m: ±0.1m >3m: ±1.5%</td> <td rowspan="2">FIXED: -10°C~80°C FLXIBLE: -5°C~80°C</td> <td rowspan="2">BLACK</td> <td rowspan="2">PVC (UL)</td> <td>RPC-M8-4FS-**-M12-4MS-PUR</td> <td>4</td> <td>T4052325004-00X</td>	TOLERANCE: 0m TO 1m: ±0.05m 1m TO 3m: ±0.1m >3m: ±1.5%	FIXED: -10°C~80°C FLXIBLE: -5°C~80°C	BLACK	PVC (UL)	RPC-M8-4FS-**-M12-4MS-PUR	4	T4052325004-00X
RPC-M8-3FS-**-M12-3MR-PUR					3	T4052326003-00X	
WIRES: 0.25mm ² (24AWG) WIRE COLOR: 1-BROWN, 2-WHITE, 3-BLUE, 4-BLACK OD: APROX. 4.5MM <td rowspan="3">TOLERANCE: 0m TO 1m: ±0.05m 1m TO 3m: ±0.1m >3m: ±1.5%</td> <td rowspan="3">FIXED: -10°C~80°C FLXIBLE: -5°C~80°C</td> <td rowspan="3">BLACK</td> <td rowspan="3">PVC (UL)</td> <td>RPC-M8-3FS-**-M12-3MS-PUR</td> <td>3</td> <td>T4052325003-00X</td>	TOLERANCE: 0m TO 1m: ±0.05m 1m TO 3m: ±0.1m >3m: ±1.5%	FIXED: -10°C~80°C FLXIBLE: -5°C~80°C	BLACK	PVC (UL)	RPC-M8-3FS-**-M12-3MS-PUR	3	T4052325003-00X
RPC-M8-4FS-**-M12-4MR-PVC					4	T4052316004-00X	
RPC-M8-4FS-**-M12-4MS-PVC					4	T4052315004-00X	
WIRES: 0.25mm ² (24AWG) WIRE COLOR: 1-BROWN, 3-BLUE, 4-BLACK OD: APROX. 4.5MM <td rowspan="2">TOLERANCE: 0m TO 1m: ±0.05m 1m TO 3m: ±0.1m >3m: ±1.5%</td> <td rowspan="2">FIXED: -10°C~80°C FLXIBLE: -5°C~80°C</td> <td rowspan="2">BLACK</td> <td rowspan="2">PVC (UL)</td> <td>RPC-M8-3FS-**-M12-3MR-PVC</td> <td>3</td> <td>T4052316003-00X</td>	TOLERANCE: 0m TO 1m: ±0.05m 1m TO 3m: ±0.1m >3m: ±1.5%	FIXED: -10°C~80°C FLXIBLE: -5°C~80°C	BLACK	PVC (UL)	RPC-M8-3FS-**-M12-3MR-PVC	3	T4052316003-00X
RPC-M8-3FS-**-M12-3MS-PVC					3	T4052315003-00X	
CABLE CHARACTERISTIC	LENGTH "L"	CABLE TEMP. RANGE	JACKET COLOR	JACKET MATERIAL	TYPE $\triangle 7$	POS.	PART NUMBER $\triangle 6$

NOTES:


1. TECHNICAL DATA: SEE TABLE 1
- $\triangle 2$ CODE POSITION INDICATOR
- $\triangle 3$ RECOMMEND TORQUE 0.4Nm
- $\triangle 4$ RECOMMEND TORQUE 0.6Nm
- $\triangle 5$ TE LABEL AREA, INCLUDING PN, DATE CODE...
- $\triangle 6$ -00X: FOR CABLE LENGHT, SEE TABLE 2 AND REFFER TO LENGTH "L"
- $\triangle 7$ -** : CABLE LENGTH, -0.5:0.5M; -1.0:1.0M; -1.5:1.5M
8. CABLE ASSEMBLY TO BE PACKAGED IN POLYBAGS;

BLACK	PA66	END CAP	13
BLUE	TPU	M12 OVER-MOLDING	12
GOLD FLASH	COPPER ALLOY	MALE CONTACT	11
-	SUS	SPRING	10
NICKEL PLATED	COPPER ALLOY	M12, MALE NUT	9
BLACK	PA66	M12, MALE HSG, A CODE, 5PINS	8
-	-	CABLE	7
-	-	TE LABEL	6
BLUE	TPU	M8 STRAIGHT OVERMOLDING	5
GRAY	SILICONE	O-RING	4
GOLD FLASH	COPPER ALLOY	M8 FEMALE CONTACT	3
NICKEL PLATED	COPPER ALLOY	M8 FEMALE NUT	2
BALCK COLOR	PA66	M8 FEMALE HOUSING	1
COMMENTS 备注	MATERIAL 材质	DESCRIPTION 描述	ITEM NO 序号

POLE NO.	M8 A CODE	M12 A CODE
1	BROWN	BROWN
2	WHITE	WHITE
3	BLUE	BLUE
4	BLACK	BLACK

注意事项

1. 技术参数：见表1
- $\triangle 2$. CODE 位置指示；
- $\triangle 3$. 推荐扭矩0.4 Nm；
- $\triangle 4$. 推荐扭矩0.6 Nm；
- $\triangle 5$. TE 标签位置 包含产品编号 日期代码...；
- $\triangle 6$. -00X：线长参考表2 参照长度"L"
- $\triangle 7$ -**：线长，-0.5:0.5M；-1.0:1.0M；-1.5:1.5M
8. 线缆组件塑料袋包装；

THIS DRAWING IS A CONTROLLED DOCUMENT.		DWN ALEX ZHANG 31 JUL 2018	 TE Connectivity	
DIMENSIONS: mm		CHK HART HE 31 JUL 2018		
TOLERANCES UNLESS OTHERWISE SPECIFIED:		APVD CHRIS WANG 31 JUL 2018	NAME CABLE JUMPER, UNSHIELDED M8 FS TO M12 MS OR MR, A-CODE	
0 PLC ± 1 PLC ± 2 PLC ± 3 PLC ± 4 PLC ± ANGLES ± FINISH		PRODUCT SPEC 108-106140	SIZE A2	
MATERIAL		APPLICATION SPEC 114-137144	CAGE CODE -	
		WEIGHT -	DRAWING NO G-T40523XX00XXXX	
		CUSTOMER DRAWING	RESTRICTED TO -	
		SCALE 2:1	SHEET 3 OF 3	
			REV A	

Mouser Electronics

Authorized Distributor

Click to View Pricing, Inventory, Delivery & Lifecycle Information:

[TE Connectivity:](#)

[T4052326004-007](#)