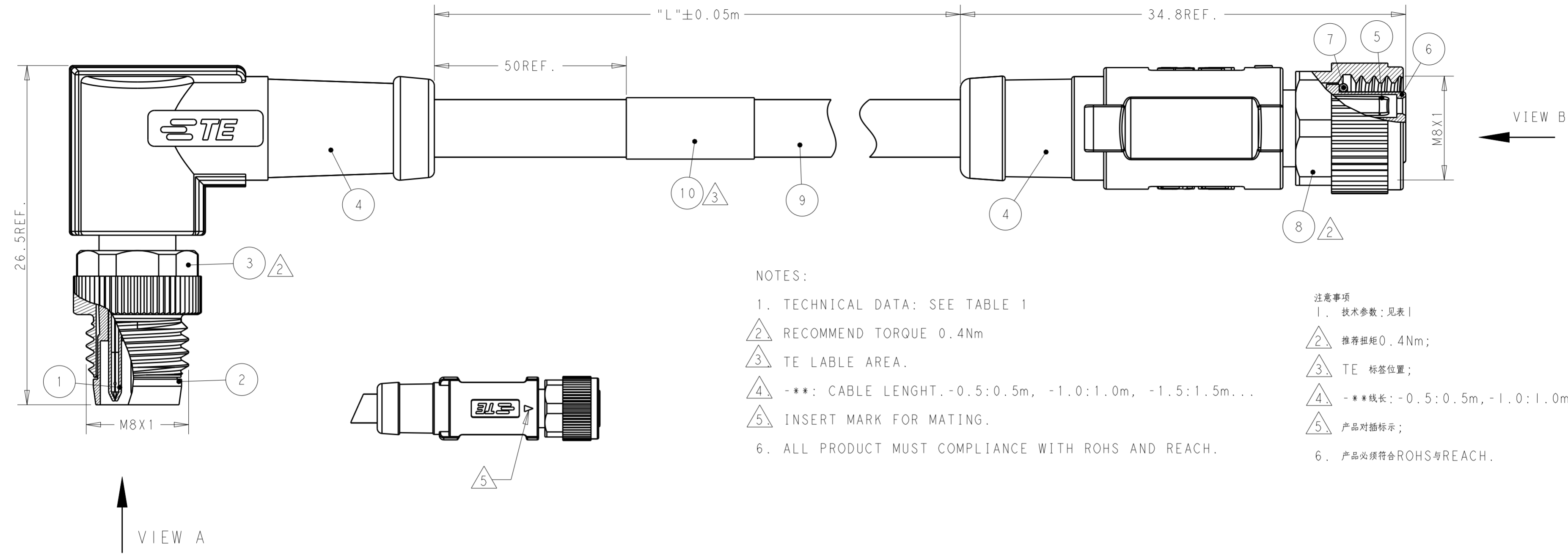


THIS DRAWING IS UNPUBLISHED. RELEASED FOR PUBLICATION 20
 © COPYRIGHT 20 BY - ALL RIGHTS RESERVED.

REVISIONS				
P	LTR	DESCRIPTION	DATE	APVD
A		INITIAL RELEASE	25FEB2016	N.P X.X



NOTES:

- 1. TECHNICAL DATA: SEE TABLE 1
- 2. RECOMMEND TORQUE 0.4Nm
- 3. TE LABEL AREA.
- 4. -** : CABLE LENGHT. -0.5:0.5m, -1.0:1.0m, -1.5:1.5m...
- 5. INSERT MARK FOR MATING.
- 6. ALL PRODUCT MUST COMPLIANCE WITH ROHS AND REACH.

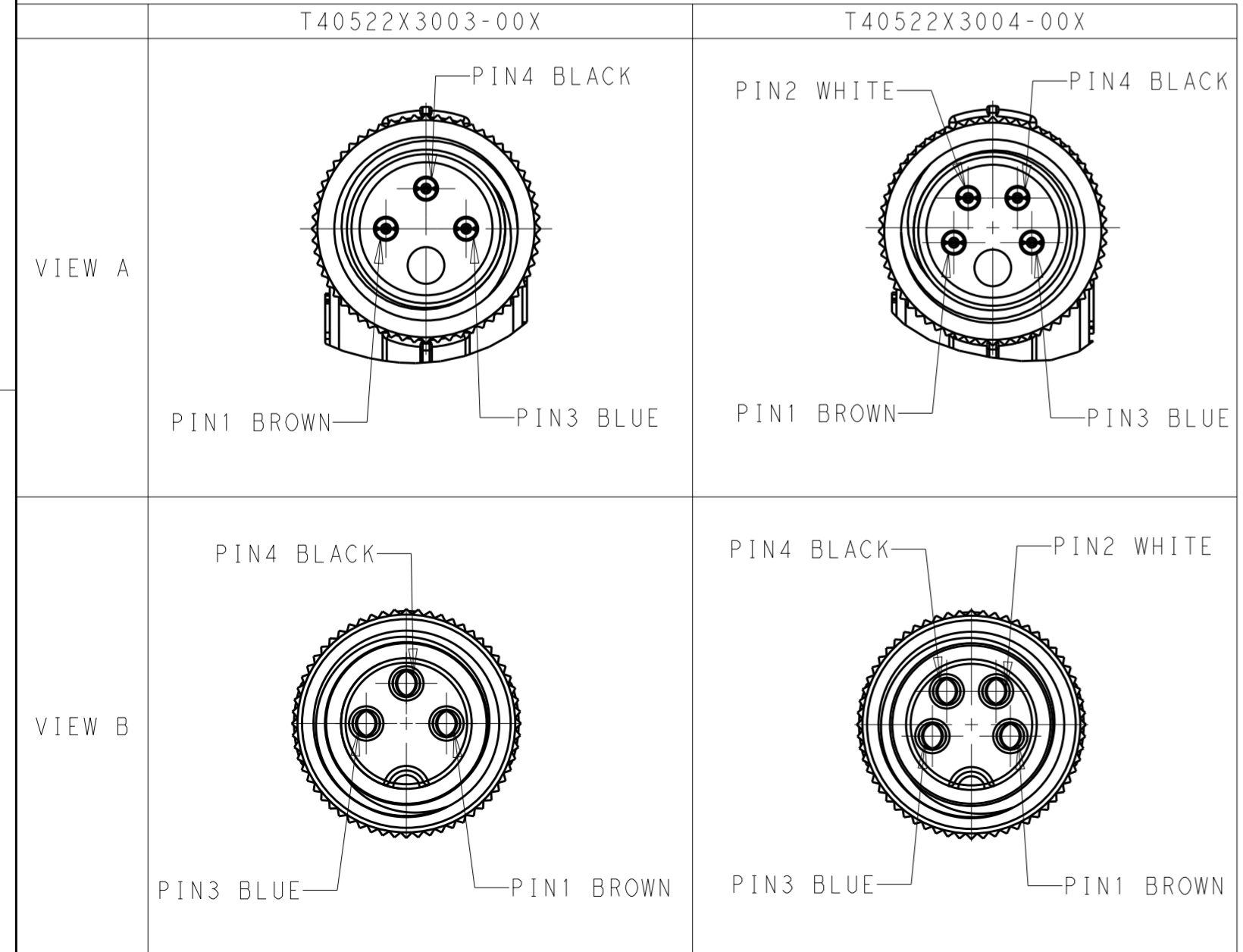
注意事项

- 1. 技术参数：见表1
- 2. 推荐扭矩0.4Nm；
- 3. TE 标签位置；
- 4. -**线长：-0.5:0.5m, -1.0:1.0m, -1.5:1.5m
- 5. 产品对插标示；
- 6. 产品必须符合ROHS与REACH.

TABLE 1

TECHNICAL DATA	T40522X3003-00X	T40522X3004-00X
RATED VOLTAGE	60V	30V
RATED CURRENT	3A	
POLLETION DEGREE	3	
OVERVOLTAGE CATEGORY	II	
MATERIAL GROUP	II	
DEGREE OF PROTECTION	IP67	

ITEM	DESCRIPTION	MATERIAL	ITEM
10	TE LABEL		10
9	CABLE		9
8	NUT	COPPER ALLOY	8
7	O-RING	RUBBER	7
6	HOUSING	PA66	6
5	CONTACT	COPPER ALLOY	5
4	OVER-MOLDING	POLYURETHANE	4
3	COUPLING NUT	COPPER ALLOY	3
2	HOUSING	PA66	2
1	CONTACT	GOLD FLASH COPPER ALLOY	1



WIRES: 0.25mm ² (24AWG)	-001: 0.5m	FIXED: -25°C~80°C FLXIBLE: -10°C~80°C	GRAY	PUR (UL)	RPC-M8-4MR-**-M8-4FS-PUR	4	T4052223004-00X			
	-002: 1.0m				RPC-M8-3MR-**-M8-3FS-PUR	3	T4052223003-00X			
	-003: 1.5m				FIXED: -10°C~80°C FLXIBLE: -5°C~80°C	BLACK	PVC (UL)	RPC-M8-4MR-**-M8-4FS-PVC	4	T4052213004-00X
	-004: 3.0m							RPC-M8-3MR-**-M8-3FS-PVC	3	T4052213003-00X
-005: 5.0m										
-006: 7.0m										
-007: 10.0m										
CABLE CHARACTERISTIC	LENGTH "L"	RECOMMEND OPERATION TEMPERATURE FOR CABLE	JACKET COLOR	JACKET MATERIAL	TYPE	POS.	PART NUMBER			

THIS DRAWING IS A CONTROLLED DOCUMENT.

DIMENSIONS: mm

TOLERANCES UNLESS OTHERWISE SPECIFIED:

0 PLC	±
1 PLC	±0.5
2 PLC	±0.35
3 PLC	±
4 PLC	±

ANGLES FINISH

MATERIAL: TBD, finish_spec_2

APVD: Xiang Xu

PRODUCT SPEC: 108-106140

APPLICATION SPEC: -

WEIGHT: -

CUSTOMER DRAWING

SCALE: 1:1

SHEET 1 OF 1

REV A

TE Connectivity

M8 CABLE ASSEMBLY UNSHIELDED TYP DOUBLE ENDED

SIZE: A2

CAGE CODE: -

DRAWING NO: C-T40522X300X00X

Mouser Electronics

Authorized Distributor

Click to View Pricing, Inventory, Delivery & Lifecycle Information:

[TE Connectivity:](#)

[T4052223004-007](#)