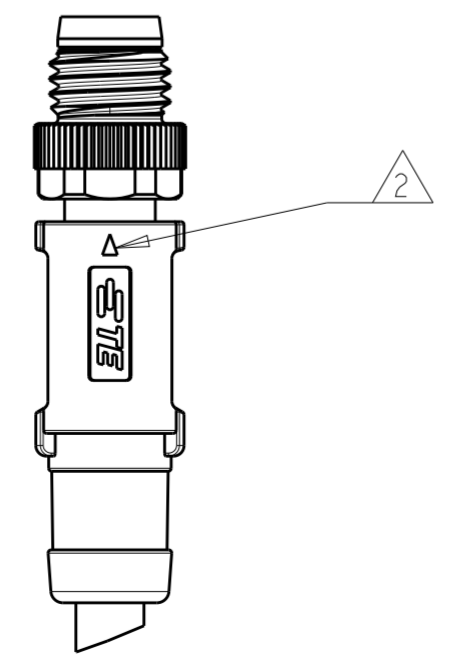
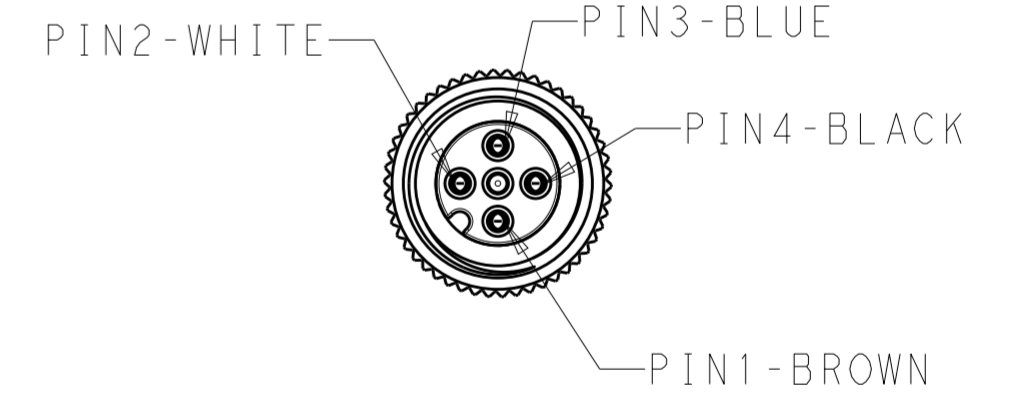
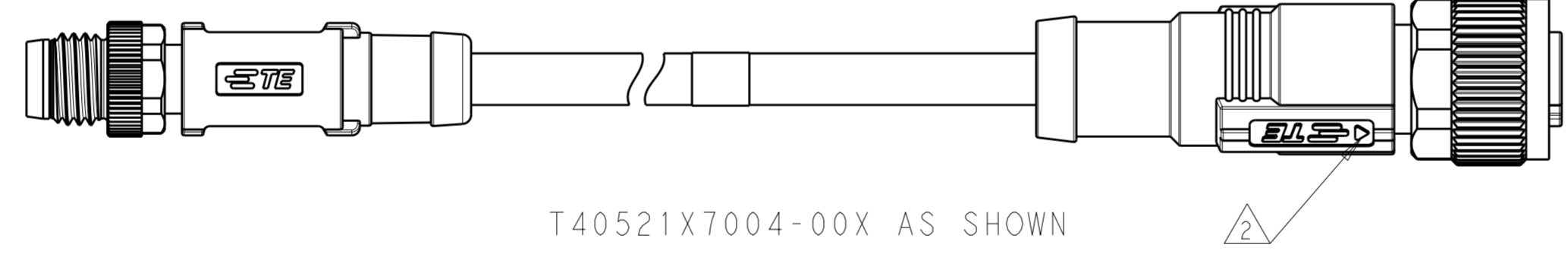
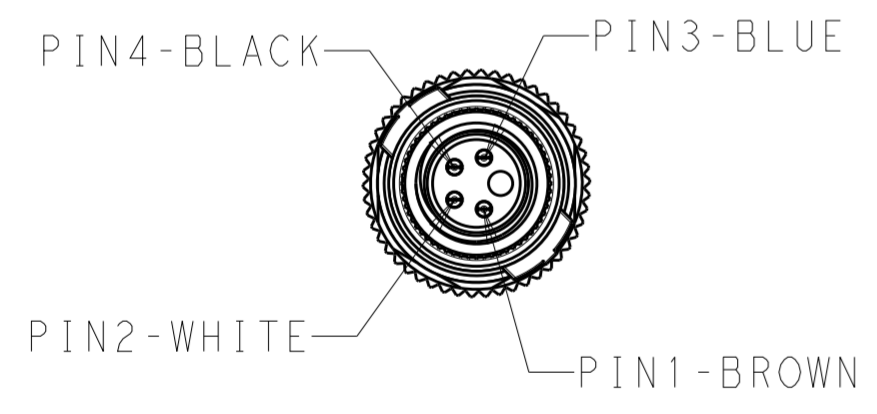
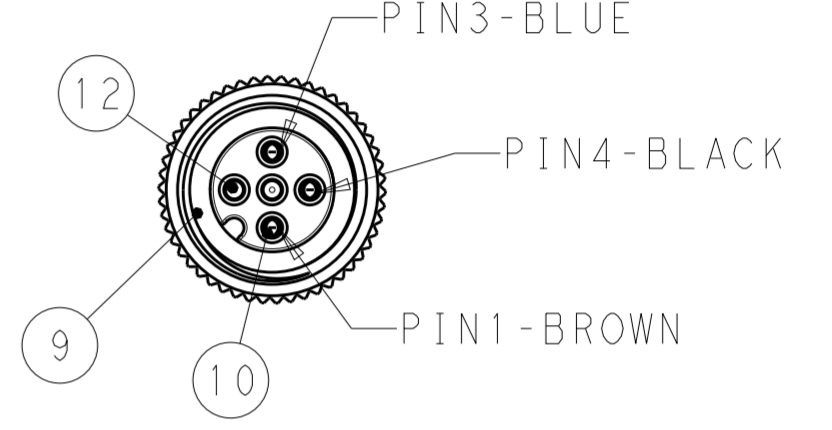


THIS DRAWING IS UNPUBLISHED. RELEASED FOR PUBLICATION
 © COPYRIGHT - BY - ALL RIGHTS RESERVED.

REVISIONS				
P	LTR	DESCRIPTION	DATE	APVD
A		NEW RELEASE	29SEP2018	AZ CW



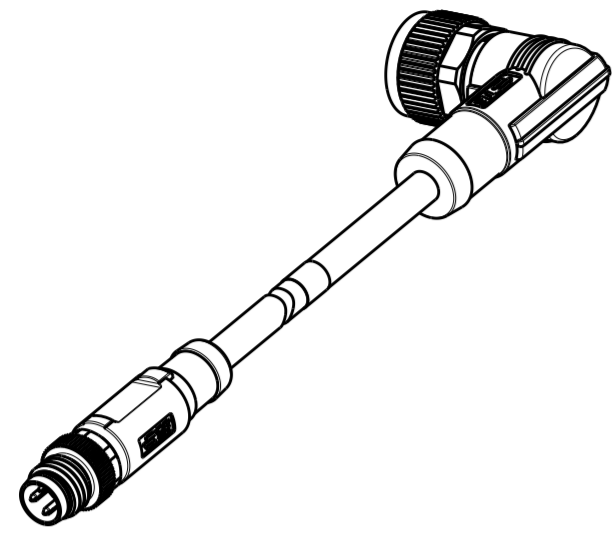
SCALE 1:1



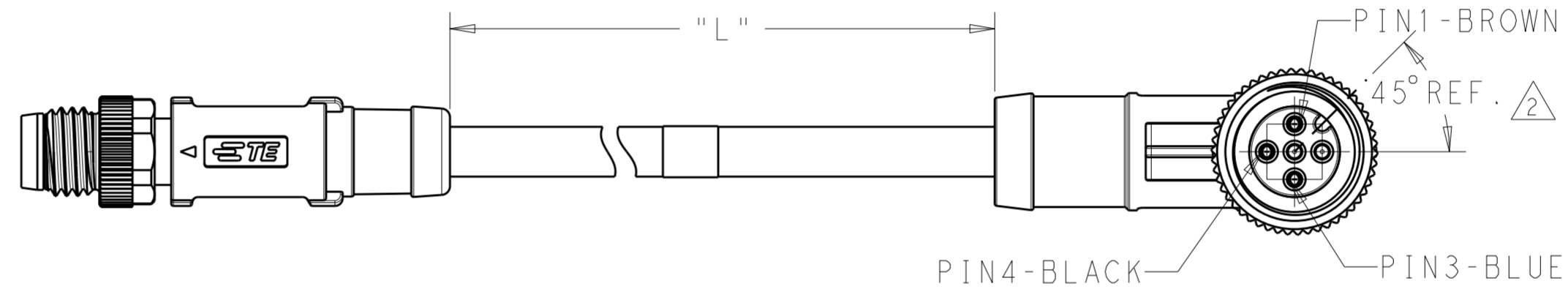
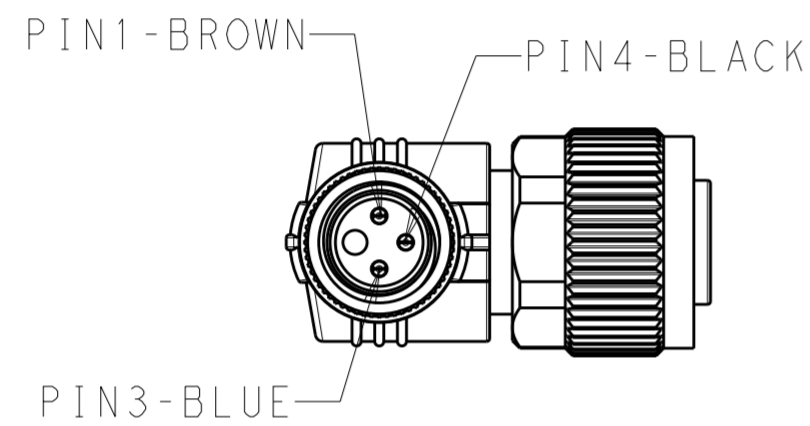
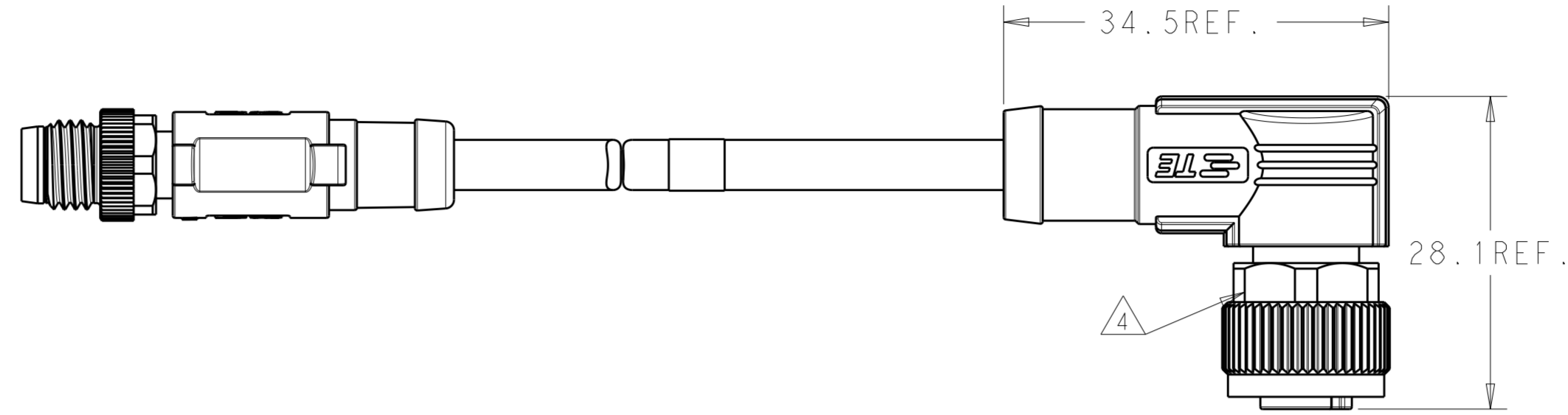
THIS DRAWING IS A CONTROLLED DOCUMENT.		DWN ALEX ZHANG 15AUG2018	TE Connectivity	
		CHK HART HE 15AUG2018		
		APVD CHRIS WANG 15AUG2018	NAME CABLE JUMPER, UNSHIELDED M8 MS TO M12 FS OR FR, A-CODE	
DIMENSIONS: mm		PRODUCT SPEC 108-106140	SIZE A2	CAGE CODE -
TOLERANCES UNLESS OTHERWISE SPECIFIED: 0 PLC ± 1 PLC ± 2 PLC ± 3 PLC ± 4 PLC ± ANGLES ± FINISH -		APPLICATION SPEC 114-137144	DRAWING NO G-T40521XX00XXXX	RESTRICTED TO -
MATERIAL material_2	finish_spec_2	WEIGHT -	SCALE 2:1	SHEET 1 OF 3
CUSTOMER DRAWING			REV A	

THIS DRAWING IS UNPUBLISHED. RELEASED FOR PUBLICATION
 © COPYRIGHT - BY - ALL RIGHTS RESERVED.

REVISIONS				
P	LTR	DESCRIPTION	DATE	APVD
		SEE SHEET 1		

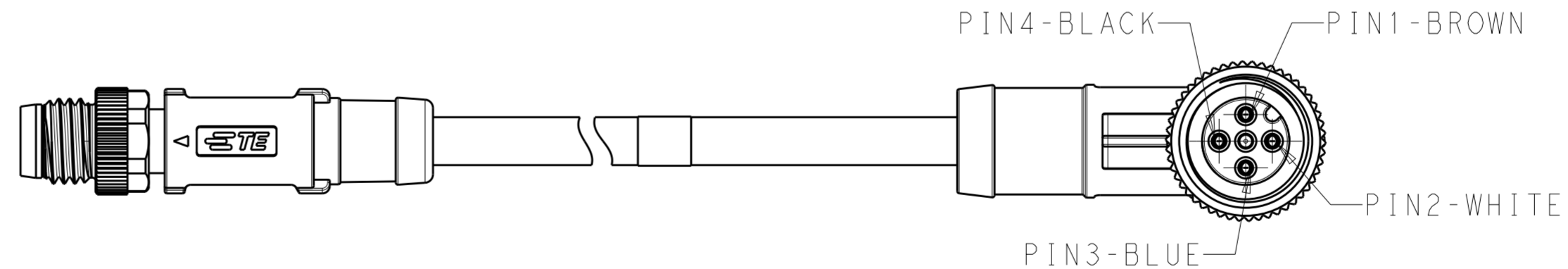
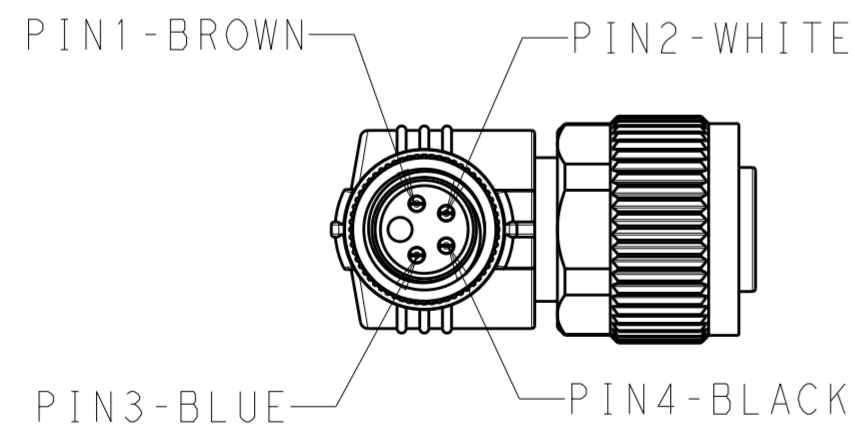


SCALE 1:1




↑ SIDE 1 M8X1 T40521X8003-00X AS SHOWN

↑ SIDE 2 M12X1



T40521X8004-00X AS SHOWN

THIS DRAWING IS A CONTROLLED DOCUMENT.		DWN ALEX ZHANG 15AUG2018	 TE Connectivity															
DIMENSIONS: mm		CHK HART HE 15AUG2018																
TOLERANCES UNLESS OTHERWISE SPECIFIED:		APVD CHRIS WANG 15AUG2018	NAME CABLE JUMPER, UNSHIELDED M8 MS TO M12 FS OR FR, A-CODE															
<table border="1"> <tr><td>0 PLC</td><td>±</td></tr> <tr><td>1 PLC</td><td>±</td></tr> <tr><td>2 PLC</td><td>±</td></tr> <tr><td>3 PLC</td><td>±</td></tr> <tr><td>4 PLC</td><td>±</td></tr> <tr><td>ANGLES</td><td>±</td></tr> <tr><td>FINISH</td><td>±</td></tr> </table>		0 PLC	±	1 PLC	±	2 PLC	±	3 PLC	±	4 PLC	±	ANGLES	±	FINISH	±	PRODUCT SPEC 108-106140	SIZE A2	
0 PLC	±																	
1 PLC	±																	
2 PLC	±																	
3 PLC	±																	
4 PLC	±																	
ANGLES	±																	
FINISH	±																	
MATERIAL material_2		APPLICATION SPEC 114-137144	CAGE CODE -	DRAWING NO G-T40521XX00XXXX														
FINISH finish_spec_2		WEIGHT -	RESTRICTED TO -	SCALE 1:1 SHEET 2 OF 3 REV A														
CUSTOMER DRAWING																		

THIS DRAWING IS UNPUBLISHED. RELEASED FOR PUBLICATION
 © COPYRIGHT - BY - ALL RIGHTS RESERVED.

REVISIONS				
P	LTR	DESCRIPTION	DATE	APVD
		SEE SHEET 1		

TECHNICAL DATA	T4052117003-00X	T4052127003-00X	T4052118003-00X	T4052128003-00X	T4052117004-00X	T4052127004-00X	T4052118004-00X	T4052128004-00X
RATED VOLTAGE	60V				30V			
RATED CURRENT					3A			
POLLUTION DEGREE					3			
OVERVOLTAGE CATEGORY					II			
MATERIAL GROUP					II			
DEGREE OF PROTECTION					IP67			

WIRES: 0.25mm ² (24AWG) WIRE COLOR: 1-BROWN, 2-WHITE, 3-BLUE, 4-BLACK	STANDARD: -001: 0.5m -002: 1.0m -003: 1.5m -004: 3.0m -005: 5.0m -006: 7.0m -007: 10.0m	FIXED: -40°C-80°C FLXIBLE: -25°C-80°C	GRAY	PUR (UL)	RPC-M8-4MS-**-M12-4FR-PUR	4	T4052128004-00X
WIRES: 0.25mm ² (24AWG) WIRE COLOR: 1-BROWN, 3-BLUE, 4-BLACK <td>CUSTOMIZATION: -99X:<1.0M -XXX:>1.0M -AAX:99.XM</td> <td></td> <td></td> <td></td> <td>RPC-M8-4MS-**-M12-4FS-PUR</td> <td>4</td> <td>T4052127004-00X</td>	CUSTOMIZATION: -99X:<1.0M -XXX:>1.0M -AAX:99.XM				RPC-M8-4MS-**-M12-4FS-PUR	4	T4052127004-00X
WIRES: 0.25mm ² (24AWG) WIRE COLOR: 1-BROWN, 3-BLUE, 4-BLACK <td>TOLERANCE: 0m TO 1m: ±0.05m 1m TO 3m: ±0.1m >3m: ±1.5%</td> <td></td> <td></td> <td></td> <td>RPC-M8-3MS-**-M12-3FR-PUR</td> <td>3</td> <td>T4052128003-00X</td>	TOLERANCE: 0m TO 1m: ±0.05m 1m TO 3m: ±0.1m >3m: ±1.5%				RPC-M8-3MS-**-M12-3FR-PUR	3	T4052128003-00X
					RPC-M8-3MS-**-M12-3FS-PUR	3	T4052127003-00X
					RPC-M8-4MS-**-M12-4FR-PVC	4	T4052118004-00X
					RPC-M8-4MS-**-M12-4FS-PVC	4	T4052117004-00X
					RPC-M8-3MS-**-M12-3FR-PVC	3	T4052118003-00X
					RPC-M8-3MS-**-M12-3FS-PVC	3	T4052117003-00X
CABLE CHARACTERISTIC	LENGTH "L"	CABLE TEMP. RANGE	JACKET COLOR	JACKET MATERIAL	TYPE	POS.	PART NUMBER

NOTES:

1. TECHNICAL DATA: SEE TABLE 1
- CODE POSITION INDICATOR
- RECOMMEND TORQUE 0.4Nm
- RECOMMEND TORQUE 0.6Nm
- TE LABEL AREA, INCLUDING PN, DATE CODE...
- 00X: FOR CABLE LENGTH, SEE TABLE 2 AND REFER TO LENGTH "L"
- ** : CABLE LENGTH, -0.5:0.5M; -1.0:1.0M; -1.5:1.5M
8. CABLE ASSEMBLY TO BE PACKAGED IN POLYBAGS;

注意事项

1. 技术参数: 见表1
- CODE 位置指示;
- 推荐扭矩0.4 Nm;
- 推荐扭矩0.6 Nm;
- TE 标签位置 包含产品编号 日期代码...;
- 00X: 线长参考表2 参照长度"L"
- ** : 线长, -0.5:0.5M; -1.0:1.0M; -1.5:1.5M
8. 线缆组件塑料袋包装;

BLACK	PA66	END CAP	12
BLUE	TPU	M12 OVER-MOLDING	11
GOLD FLASH	COPPER ALLOY	FEMALE CONTACT	10
GRAY	SILICONE	O-RING	9
NICKEL PLATED	COPPER ALLOY	M12, FEMALE NUT	8
BLACK	PA66	M12, FEMALE HSG, A CODE, 5PINS	7
-	-	CABLE	6
-	-	TE LABEL	5
BLUE	TPU	M8 OVERMOLDING	4
GOLD FLASH	COPPER ALLOY	M8 MALE CONTACT	3
NICKEL PLATED	COPPER ALLOY	M8 MALE NUT	2
BALCK COLOR	PA66	M8 MALE HOUSING	1
COMMENTS 备注	MATERIAL 材质	DESCRIPTION 描述	ITEM NO 序号

THIS DRAWING IS A CONTROLLED DOCUMENT.		DWN ALEX ZHANG 15AUG2018	TE Connectivity	
		CHK HART HE 15AUG2018		
		APVD CHRIS WANG 15AUG2018	NAME CABLE JUMPER, UNSHIELDED M8 MS TO M12 FS OR FR, A-CODE	
DIMENSIONS: mm		PRODUCT SPEC 108-106140	SIZE A2	CAGE CODE -
TOLERANCES UNLESS OTHERWISE SPECIFIED: 0 PLC ± 1 PLC ± 2 PLC ± 3 PLC ± 4 PLC ± ANGLES ± FINISH -		APPLICATION SPEC 114-137144	DRAWING NO C-T40521XX00XXXX	RESTRICTED TO -
MATERIAL material_2	FINISH finish_spec_2	WEIGHT -	SCALE 1:1	SHEET 3 OF 3
CUSTOMER DRAWING			REV A	

Mouser Electronics

Authorized Distributor

Click to View Pricing, Inventory, Delivery & Lifecycle Information:

[TE Connectivity:](#)

[T4052128004-005](#)