

THIS DRAWING IS UNPUBLISHED. RELEASED FOR PUBLICATION
 © COPYRIGHT copyright.d8Te- ALL RIGHTS RESERVED.

| REVISIONS | | | | |
|-----------|-----|-----------------|-----------|---------|
| P | LTR | DESCRIPTION | DATE | APVD |
| A | | INITIAL RELEASE | 25FEB2016 | N.P X.X |

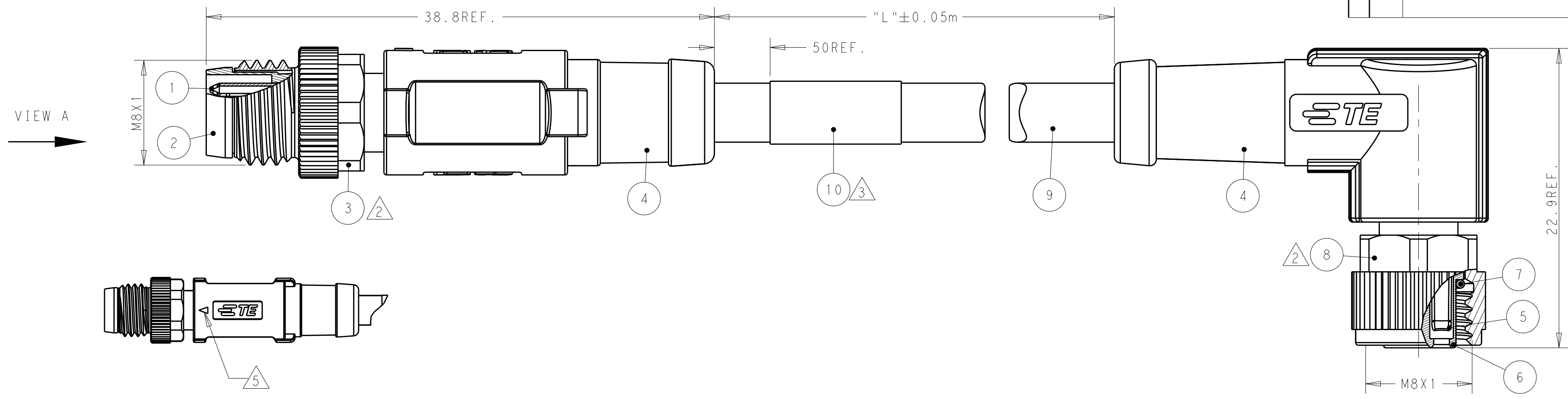


TABLE 1

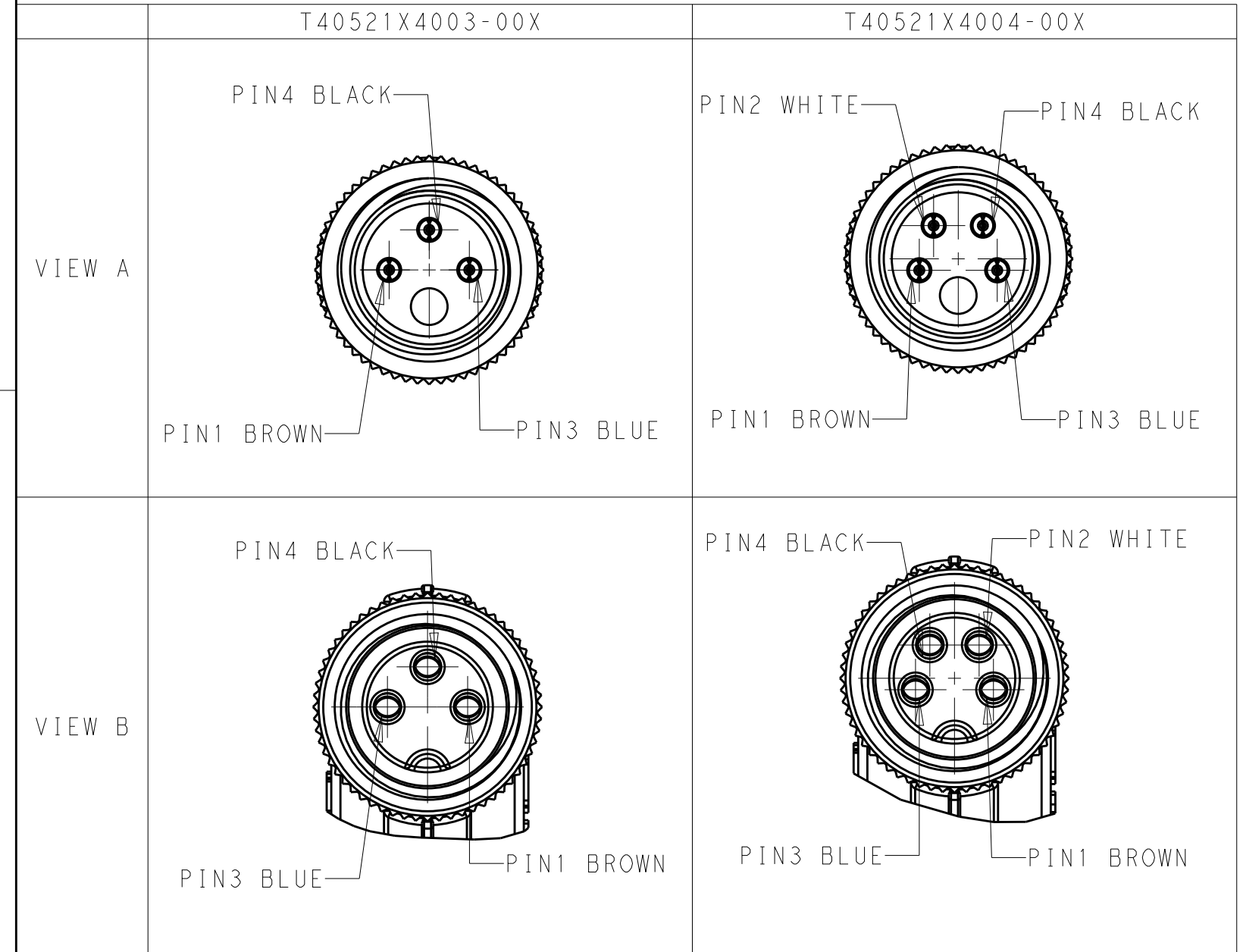
| TECHNICAL DATA | T40521X4003-00X | T40521X4004-00X |
|----------------------|-----------------|-----------------|
| RATED VOLTAGE | 60V | 30V |
| RATED CURRENT | | 3A |
| POLLETION DEGREE | | 3 |
| OVERVOLTAGE CATEGORY | | II |
| MATERIAL GROUP | | II |
| DEGREE OF PROTECTION | | IP67 |

NOTES:

1. TECHNICAL DATA: SEE TABLE 1
2. RECOMMEND TORQUE 0.4Nm
3. TE LABEL AREA.
4. -** : CABLE LENGTH. -0.5:0.5m, -1.0:1.0m, -1.5:1.5m...
5. INSERT MARK FOR MATING.
6. ALL PRODUCT MUST COMPLIANCE WITH ROHS AND REACH.

注意事项

1. 技术参数：见表1
2. 推荐扭矩0.4Nm；
3. TE 标签位置；
4. -**线长：-0.5:0.5m, -1.0:1.0m, -1.5:1.5m
5. 产品对插标示；
6. 产品必须符合ROHS与REACH.



| COMMENTS | MATERIAL | DESCRIPTION | ITEM |
|-------------|--------------|--------------|------|
| | | TE LABEL | 10 |
| | | CABLE | 9 |
| | COPPER ALLOY | NUT | 8 |
| | RUBBER | O-RING | 7 |
| | PA66 | HOUSING | 6 |
| | COPPER ALLOY | CONTACT | 5 |
| | POLYURETHANE | OVER-MOLDING | 4 |
| | COPPER ALLOY | COUPLING NUT | 3 |
| BALCK COLOR | PA66 | HOUSING | 2 |
| GOLD FLASH | COPPER ALLOY | CONTACT | 1 |

| WIRES: | LENGTH "L" | RECOMMEND OPERATION TEMPERATURE FOR CABLE | JACKET COLOR | JACKET MATERIAL | TYPE | POS. | PART NUMBER |
|-----------------------------|-------------|---|--------------|-----------------|--------------------------|------|-----------------|
| 0.25mm ² (24AWG) | -001: 0.5m | FIXED: -25°C~80°C FLXIBLE: -10°C~80°C | GRAY | PUR (UL) | RPC-M8-4MS-**-M8-4FR-PUR | 4 | T4052124004-00X |
| | -002: 1.0m | | | | RPC-M8-3MS-**-M8-3FR-PUR | 3 | T4052124003-00X |
| | -003: 1.5m | | | | RPC-M8-4MS-**-M8-4FR-PVC | 4 | T4052114004-00X |
| | -004: 3.0m | FIXED: -10°C~80°C FLXIBLE: -5°C~80°C | BLACK | PVC (UL) | RPC-M8-3MS-**-M8-3FR-PVC | 3 | T4052114003-00X |
| | -005: 5.0m | | | | | | |
| | -006: 7.0m | | | | | | |
| | -007: 10.0m | | | | | | |

THIS DRAWING IS A CONTROLLED DOCUMENT.

DWN: Nick Pan 25FEB2016
 CHK: Kobby Zhao 25FEB2016
 APVD: Xiang Xu 25FEB2016

TE Connectivity

M8 CABLE ASSEMBLY UNSHIELDED TYP DOUBLE ENDED

108-106140

SCALE: 1:1 SHEET 1 OF 1 REV A

Mouser Electronics

Authorized Distributor

Click to View Pricing, Inventory, Delivery & Lifecycle Information:

[TE Connectivity:](#)

[T4052114003-003](#)