

THIS DRAWING IS UNPUBLISHED. RELEASED FOR PUBLICATION 20  
 © COPYRIGHT 20 BY - ALL RIGHTS RESERVED.

REVISIONS				
P	LTR	DESCRIPTION	DATE	APVD
A		INITIAL RELEASE	25FEB2016	N.P X.X

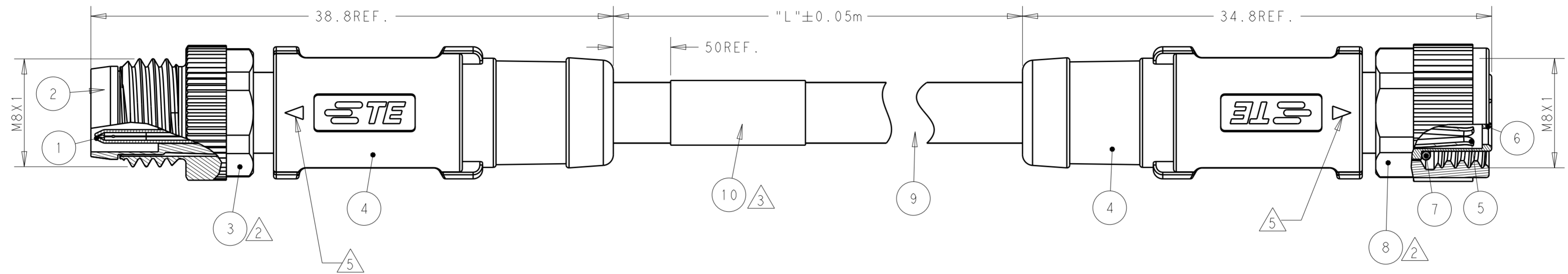


TABLE 1

TECHNICAL DATA	T40521X3003-00X	T40521X3004-00X
RATED VOLTAGE	60V	30V
RATED CURRENT		3A
POLLETION DEGREE		3
OVERVOLTAGE CATEGORY		II
MATERIAL GROUP		II
DEGREE OF PROTECTION		IP67

NOTES:

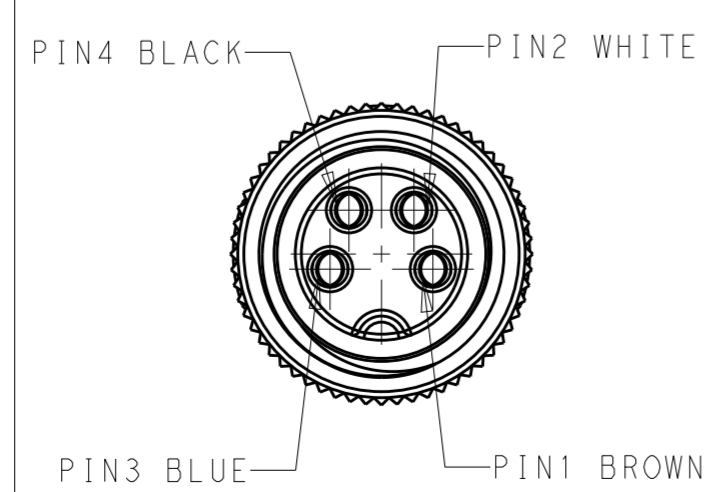
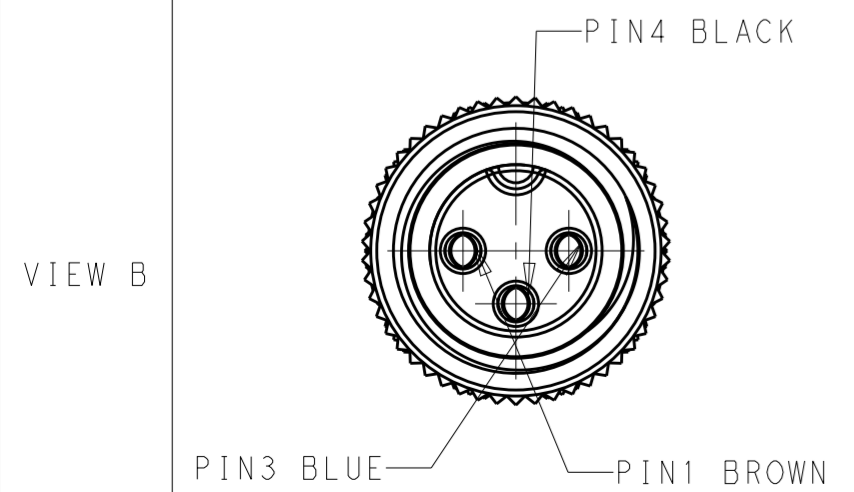
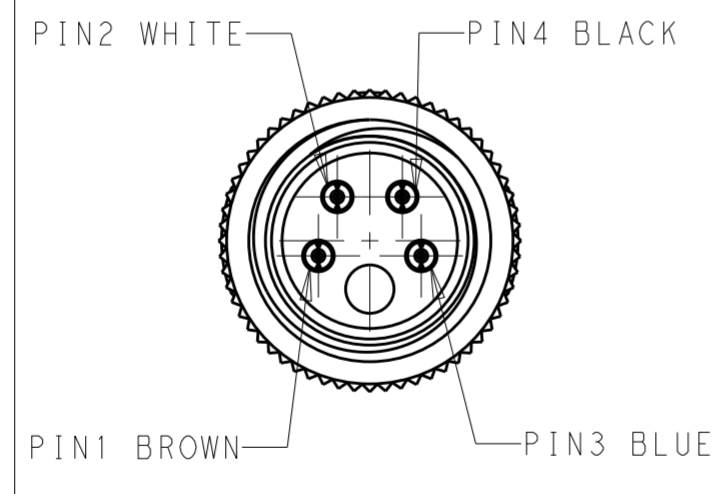
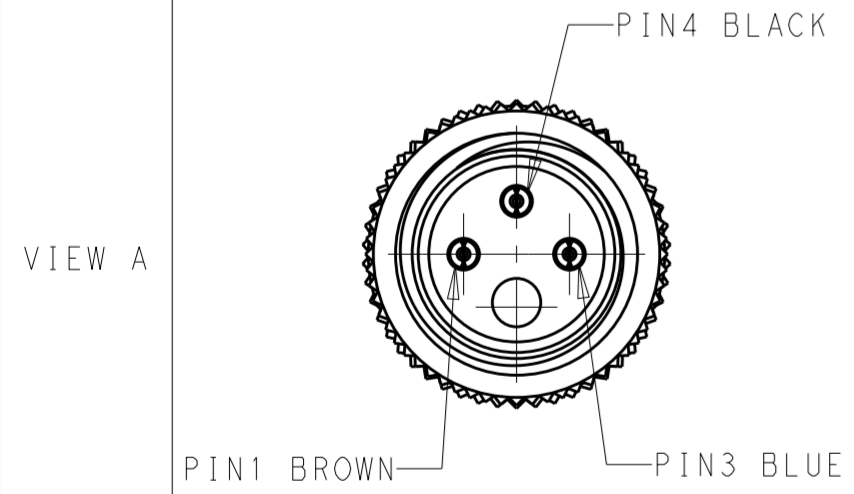
- 1. TECHNICAL DATA: SEE TABLE 1
- 2. RECOMMEND TORQUE 0.4Nm
- 3. TE LABEL AREA.
- 4. -\*\* : CABLE LENGHT. -0.5:0.5m, -1.0:1.0m, -1.5:1.5m...
- 5. INSERT MARK FOR MATING.
- 6. ALL PRODUCT MUST COMPLIANCE WITH ROHS AND REACH.

注意事项

- 1. 技术参数：见表1
- 2. 推荐扭矩0.4Nm；
- 3. TE 标签位置；
- 4. -\*\*线长：-0.5:0.5m, -1.0:1.0m, -1.5:1.5m
- 5. 产品对插标示；
- 6. 产品必须符合ROHS与REACH.

T40521X3003-00X

T40521X3004-00X



COMMENTS	MATERIAL	DESCRIPITON	ITEM
		TE LABEL	10
		CABLE	9
	COPPER ALLOY	NUT	8
	RUBBER	O-RING	7
	PA66	HOUSING	6
	COPPER ALLOY	CONTACT	5
	POLYURETHANE	OVER-MOLDING	4
	COPPER ALLOY	COUPLING NUT	3
BALCK COLOR	PA66	HOUSING	2
GOLD FLASH	COPPER ALLOY	CONTACT	1

WIRES:	LENGTH "L"	RECOMMEND OPERATION TEMPERATURE FOR CABLE	JACKET COLOR	JACKET MATERIAL	TYPE	POS.	PART NUMBER
0.25mm <sup>2</sup> (24AWG)	-001: 0.5m	FIXED: -25°C~80°C FLXIBLE: -10°C~80°C	GRAY	PUR (UL)	RPC-M8-4MS-**-M8-4FS-PUR	4	T4052123004-00X
	-002: 1.0m				RPC-M8-3MS-**-M8-3FS-PUR	3	T4052123003-00X
	-003: 1.5m	FIXED: -10°C~80°C FLXIBLE: -5°C~80°C	BLACK	PVC (UL)	RPC-M8-4MS-**-M8-4FS-PVC	4	T4052113004-00X
	-004: 3.0m				RPC-M8-3MS-**-M8-3FS-PVC	3	T4052113003-00X
-005: 5.0m							
	-006: 7.0m						
	-007: 10.0m						

THIS DRAWING IS A CONTROLLED DOCUMENT.

DWN: Nick Pan 25FEB2016  
 CHK: Kobby Zhao 25FEB2016  
 APVD: Xiang Xu 25FEB2016

TE Connectivity

M8 CABLE ASSEMBLY UNSHIELDED TYPE DOUBLE ENDED

108-106140

SIZE: A2 | CAGE CODE: - | DRAWING NO: T40521X300X00X | RESTRICTED TO: -

SCALE: 1:1 | SHEET: 1 OF 1 | REV: A

# Mouser Electronics

Authorized Distributor

Click to View Pricing, Inventory, Delivery & Lifecycle Information:

[TE Connectivity:](#)

[T4052123004-001](#)