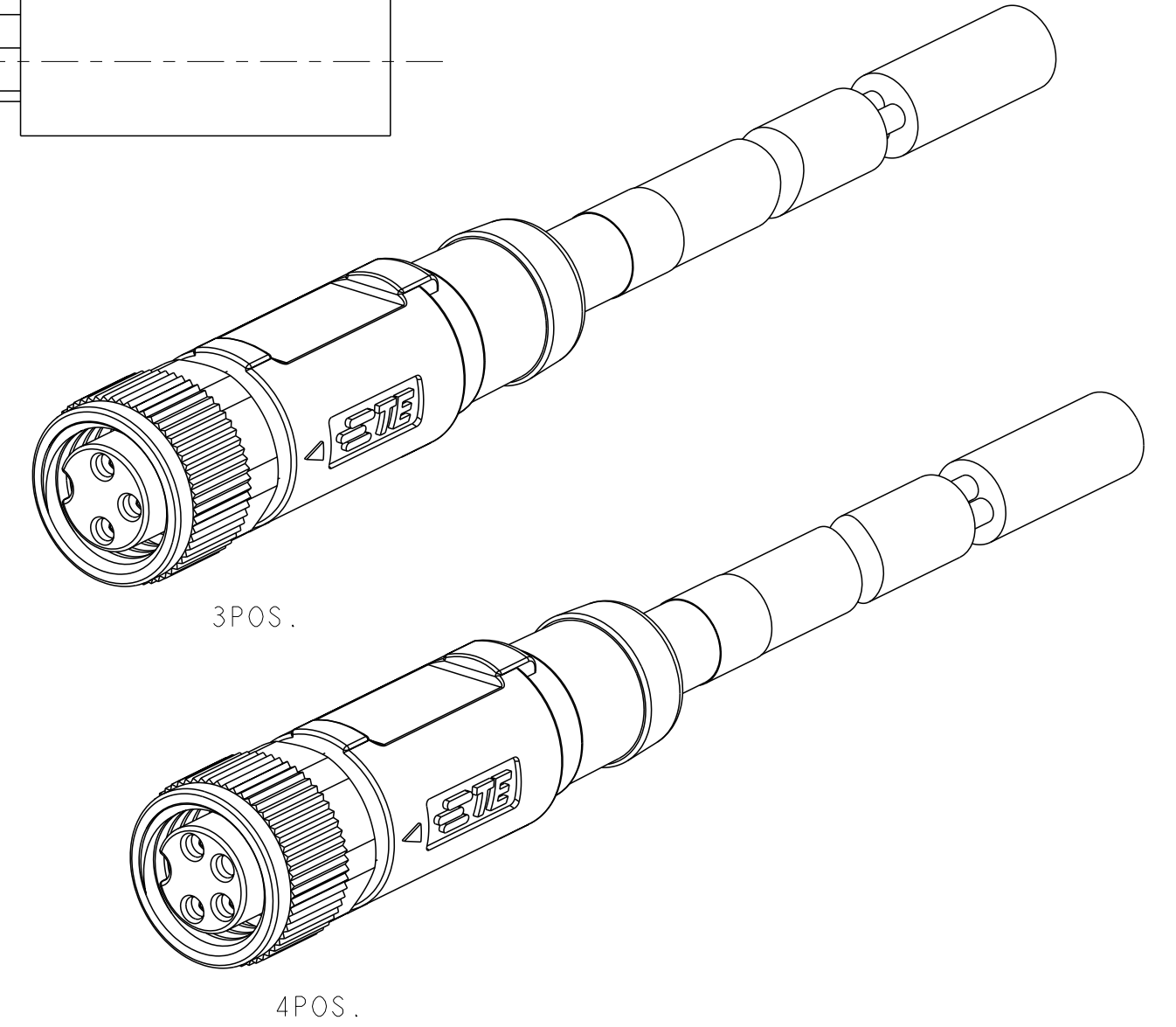
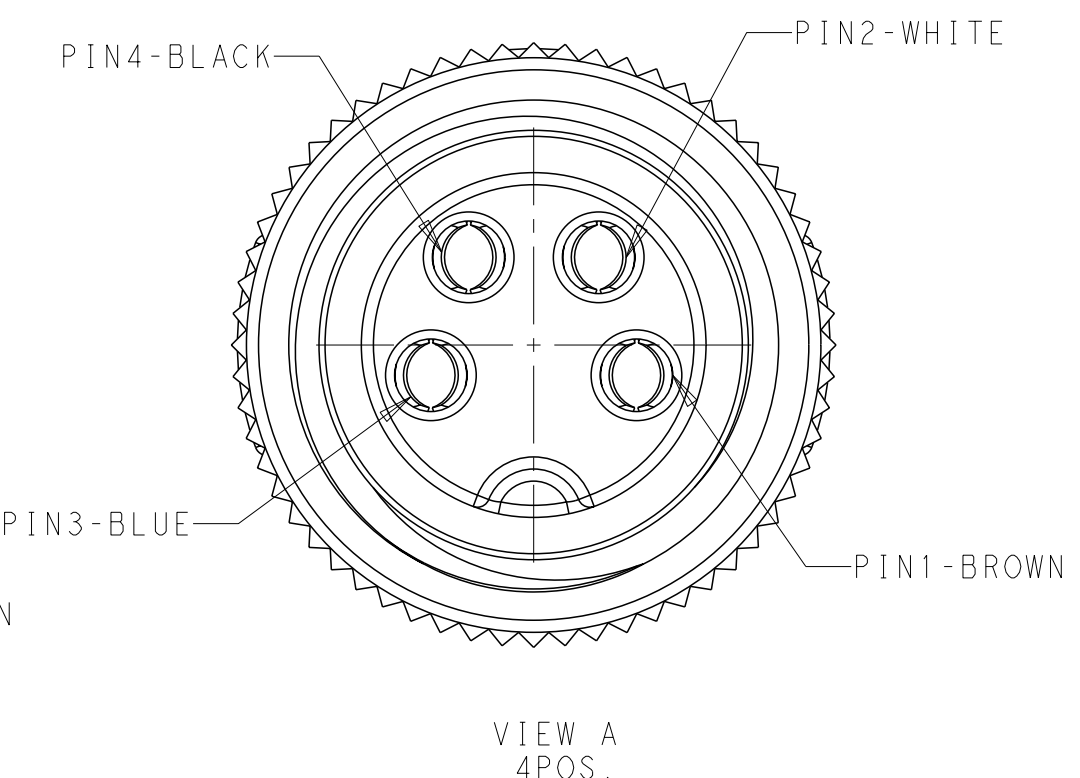
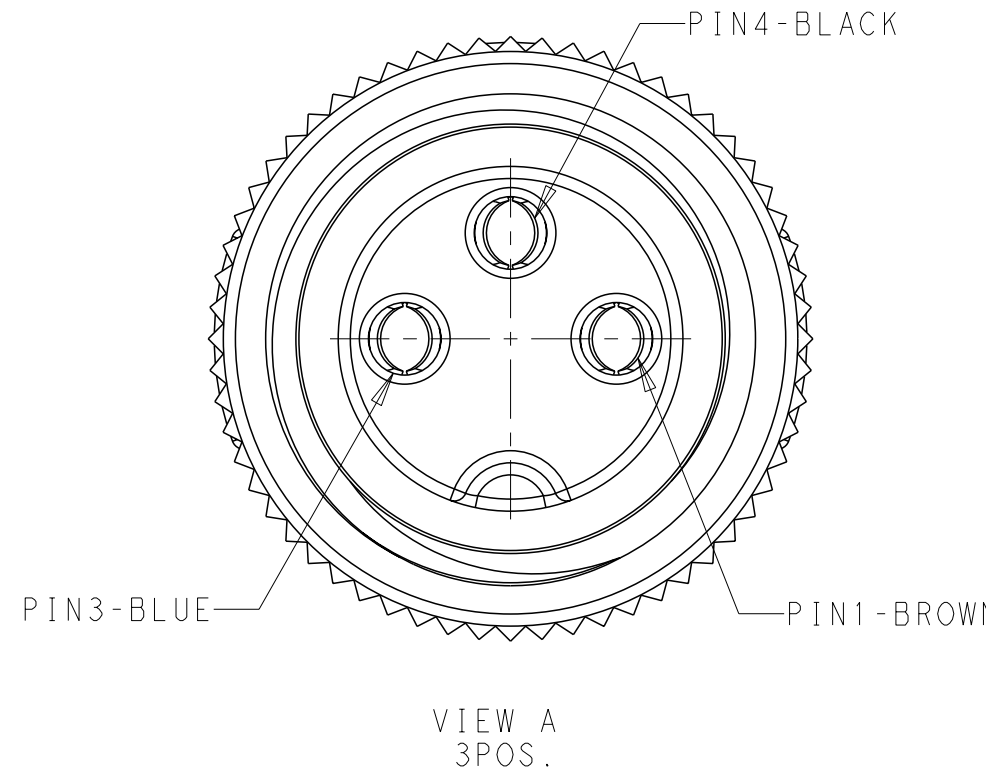
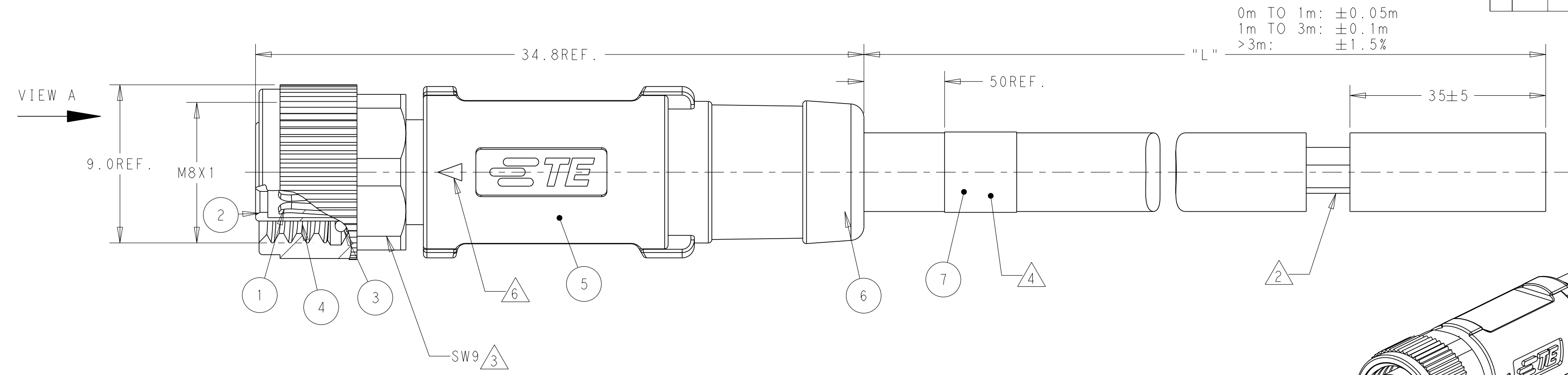


THIS DRAWING IS UNPUBLISHED. RELEASED FOR PUBLICATION 20
 © COPYRIGHT 20 BY - ALL RIGHTS RESERVED.

REVISIONS				
P	LTR	DESCRIPTION	DATE	APVD
A		INITIAL RELEASE	18JAN2016	N.P X.X
A1		PER ECR-16-010253	21JUL2016	N.P X.X



- NOTES:
1. TECHNICAL DATA: SEE TABLE 1
 - 2 STRIP AND RETAIN THE INSULATION
 - 3 RECOMMEND TORQUE 0.4Nm
 - 4 TE LABEL AREA.
 - 5 -** : CABLE LENGHT. -0.5:0.5m, -1.0:1.0m, -1.5:1.5m...
 - 6 INSERT MARK FOR MATING.
 7. ALL PRODUCT MUST COMPLIANCE WITH ROHS AND REACH.

- 注意事项
1. 技术参数：见表1
 - 2 剥线并保留绝缘层；
 - 3 推荐扭矩0.4Nm；
 - 4 TE 标签位置；
 - 5 -**线长：-0.5:0.5m, -1.0:1.0m, -1.5:1.5m
 - 6 产品对插标示；
 7. 产品必须符合ROHS与REACH.

COMMENTS	MATERIAL	DESCRIPITON	ITEM
-	-	TE LABEL	7
-	-	CABLE	6
BLUE COLOR	POLYURETHANE	OVER-MOLDING	5
-	COPPER ALLOY	COUPLING NUT	4
-	RUBBER	O-RING	3
BALCK COLOR	PA66	HOUSING	2
GOLD FLASH	COPPER ALLOY	CONTACT	1

CABLE CHARACTERISTIC	LENGTH "L"	CABLE TEMP. RANGE	JACKET COLOR	JACKET MATERIAL	TYPE	POS.	PART NUMBER
WIRES: 0.25mm ² (24AWG)	STANDARD: -001: 0.5m -002: 1.0m -003: 1.5m -004: 3.0m -005: 5.0m -006: 7.0m -007: 10.0m CUSTOMIZATION: -**0:**.0m -**1:**.5m	FIXED: -40°C~80°C FLXIBLE: -25°C~80°C	GRAY	PUR (UL)	RPC-M8-FS-4CON-PUR-**5	4	T4051320004-00X
					RPC-M8-FS-3CON-PUR-**5	3	T4051320003-00X
		FIXED: -10°C~80°C FLXIBLE: -5°C~80°C	BLACK	PVC (UL)	RPC-M8-FS-4CON-PVC-**5	4	T4051310004-00X
					RPC-M8-FS-3CON-PVC-**5	3	T4051310003-00X

TECHNICAL DATA	T40513X0003-00X	T40513X0004-00X
RATED VOLTAGE	60V	30V
RATED CURRENT		3A
POLLETION DEGREE		3
OVERVOLTAGE CATEGORY		II
MATERIAL GROUP		II
DEGREE OF PROTECTION		IP67

THIS DRAWING IS A CONTROLLED DOCUMENT.

DWN: Nick Pan 08DEC2015
 CHK: Kobby Zhao 08DEC2015
 APVD: Xiang Xu 08DEC2015

PRODUCT SPEC: 108-106140
 APPLICATION SPEC: -
 WEIGHT: -

CUSTOMER DRAWING

SCALE: 1:1 SHEET: 1 OF 1 REV: A1

NAME: M8 CABLE ASSEMBLY SIGNLE ENDED FEMALE SIDE UNSHIELDED

SIZE: A2 CAGE CODE: - DRAWING NO: C-T40513X000X00X RESTRICTED TO: -

Mouser Electronics

Authorized Distributor

Click to View Pricing, Inventory, Delivery & Lifecycle Information:

[TE Connectivity:](#)

[T4051310003-003](#)