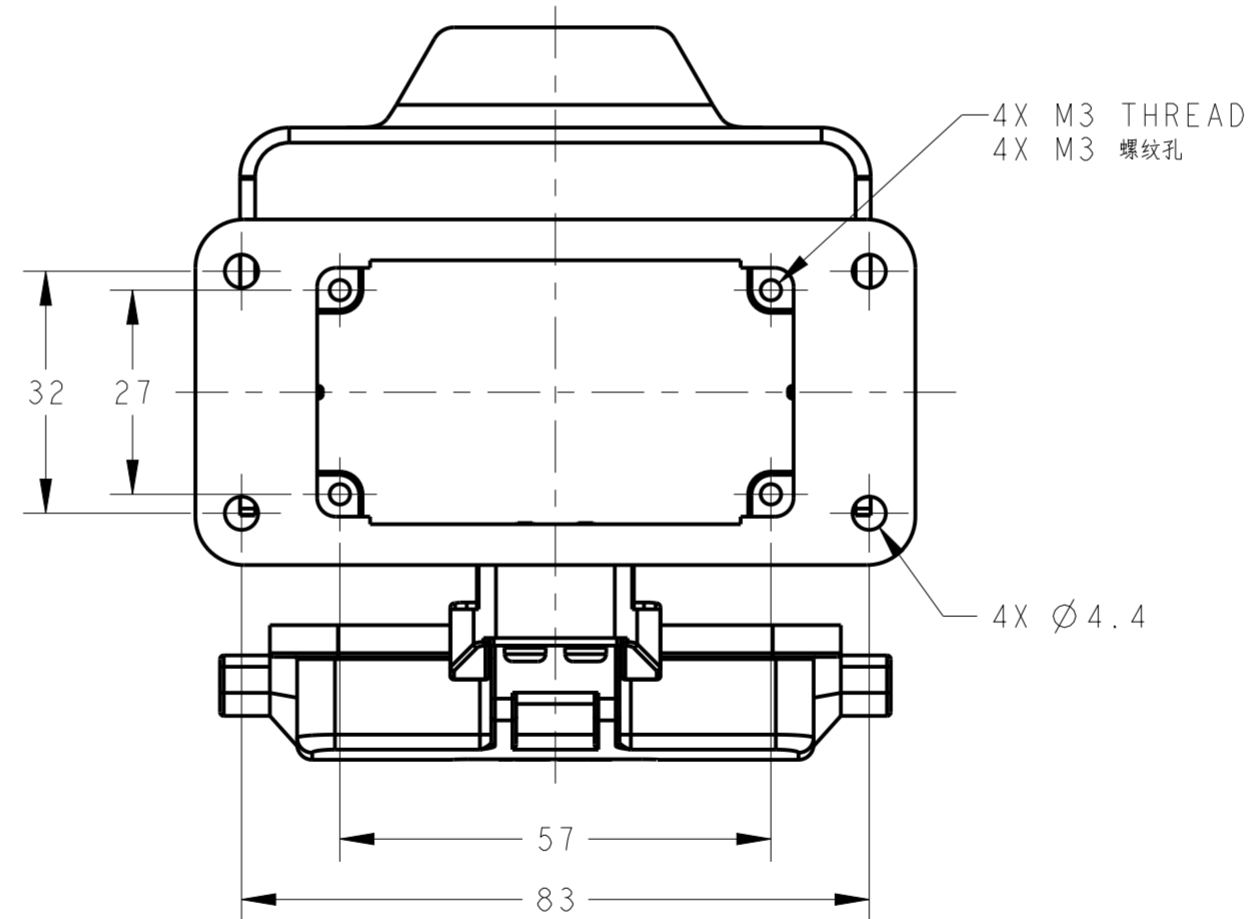
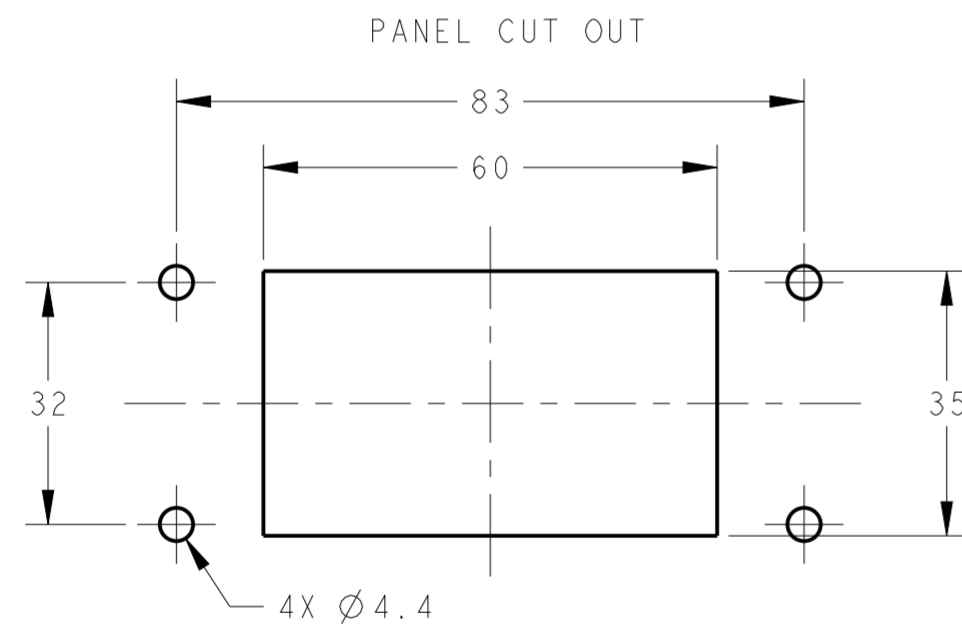
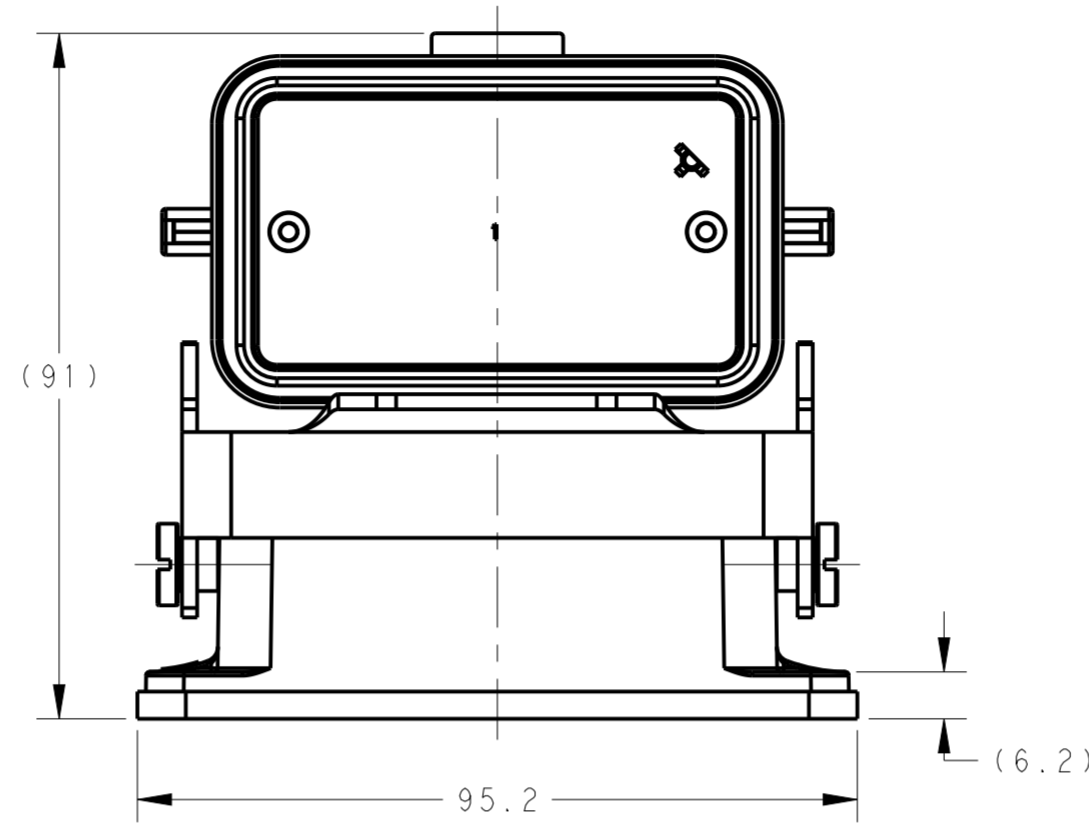
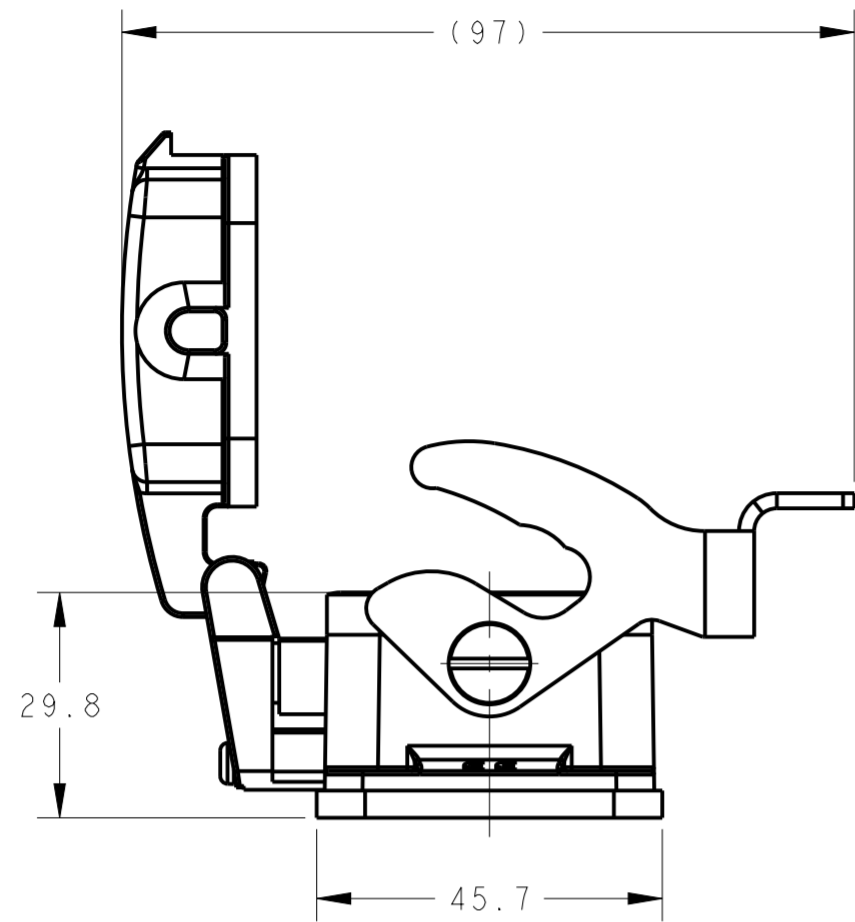


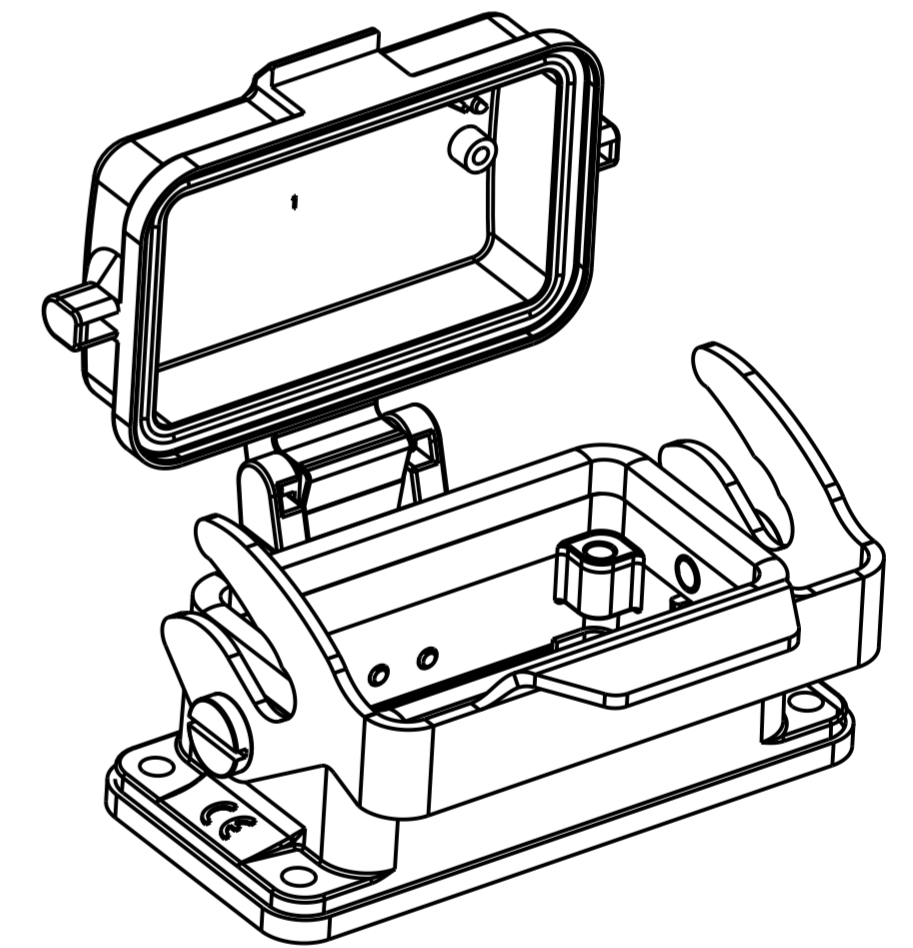
THIS DRAWING IS UNPUBLISHED. RELEASED FOR PUBLICATION 20
 © COPYRIGHT 20 BY - ALL RIGHTS RESERVED.

REVISIONS					
P	LTR	DESCRIPTION	DATE	DWN	APVD
A		INITIAL	25JUN2015	DW	CW
B		ECR-20-008181	13JUL2020	WOR	CW



NOTES:
 1. TECHNICAL CHARACTERISTICS:
 HOUSING MATERIAL: DIE CAST ALUMINIUM ALLOY
 SURFACE: POWDER COATED, GREY
 DEGREE OF PROTECTION: IP65 (MATED)

注释:
 1. 技术参数:
 下壳材料: 铝合金
 表面处理: 粉末涂层, 灰色
 防护等级: IP65(配合)



T1510103000-000	H10B-AD-LB	H10B HOUSING,BULKHEAD MOUNTED,METAL SINGLE LOCKING, PLASTIC PROTECTION COVER,POWDER COATED, GREY H10B下壳, 开孔安装, 彩锌单扣, 带塑料保护盖, 灰色粉末喷涂
PART NUMBER 料号	PART DESCRIPTION 描述	

THIS DRAWING IS A CONTROLLED DOCUMENT.		DWN 25JUN2015 David Wang	TE Connectivity
		CHK 25JUN2015 Chris Wang	
		APVD 25JUN2015 Xiang Xu	
		NAME H10B-AD-LB	
DIMENSIONS:	TOLERANCES UNLESS OTHERWISE SPECIFIED:	PRODUCT SPEC	SIZE
mm	0 PLC ± 1 PLC ± 2 PLC ± 3 PLC ± 4 PLC ± ANGLES ± FINISH	108-137013	A2
MATERIAL		APPLICATION SPEC	CAGE CODE
		114-137013	00779
		WEIGHT	DRAWING NO
			C-T1510103000000
		Customer Drawing	RESTRICTED TO
		SCALE 1:1	
		SHEET 1 OF 1	REV B

Mouser Electronics

Authorized Distributor

Click to View Pricing, Inventory, Delivery & Lifecycle Information:

[TE Connectivity:](#)

[T1510103000-000](#)