

CODE 40 - TINEL-LOCK BACKSHELL

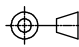


STXR40AB00-1616AI-S

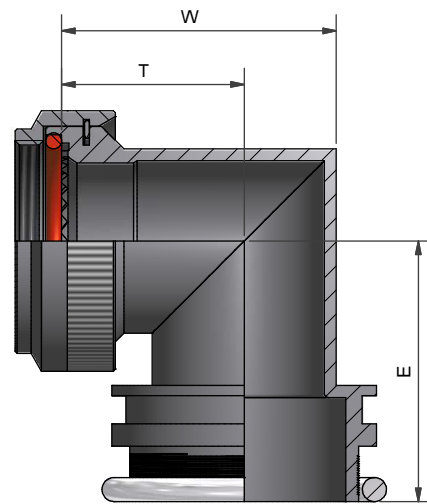
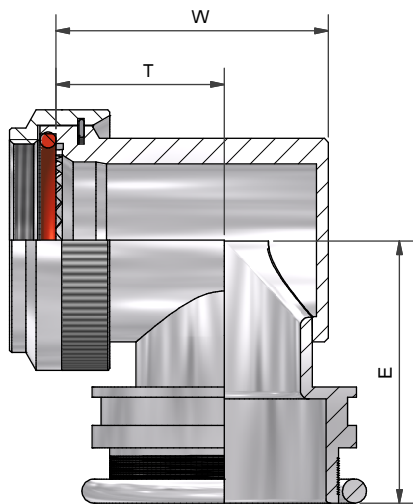
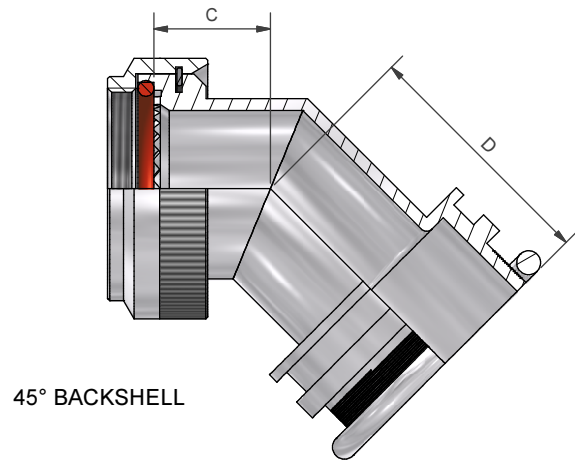
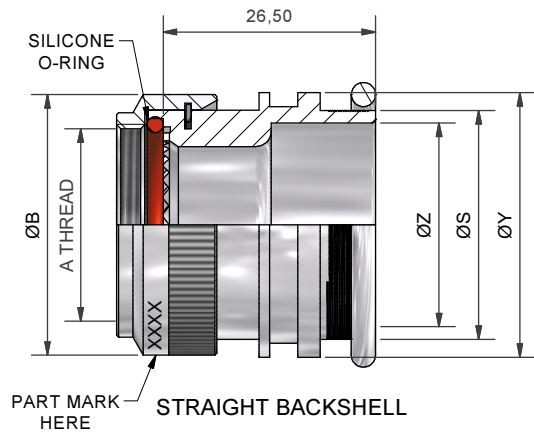
SERIES _____
 STXR: RING INCLUDED
 (SEE RING OPTION)
 STX: RING NOT INCLUDED
 CONNECTOR INTERFACE _____
 MATERIAL _____
 REFER TO CH00-0250-008
 FINISH _____
 REFER TO CH00-0250-008
 ANGLE _____
 ORDER NUMBER (TABLE 1) _____
 ENTRY SIZE (TABLE 2) _____
 RING OPTION _____
 AI - TO SUIT SINGLE BRAID
 BI - TO SUIT DOUBLE BRAID
 FOR STX, LEAVE BLANK
 MODIFICATION CODE _____
 REFER TO CH00-0250-008 (2)

NOTES:

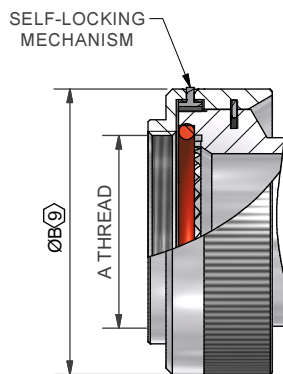
1. THIS PRODUCT IS DESIGNED TO TERMINATE A BRAIDED CABLE SHIELD AND A HEAT SHRINKABLE LIPPED BOOT TO A CONNECTOR.
- (2) FOR ADDITIONAL DIMENSIONS, ORDERING INFORMATION AND MODIFICATIONS, SEE CH00-0250-008.
- (3) SEE DRAWING TR FOR DETAIL ON TINEL-LOCK RING, RINGS ARE DESIGNED TO BE HEATED ELECTRICALLY, ALL RINGS ARE MARKED WITH THERMOCHROMIC PAINT WHICH CHANGES COLOUR WHEN INSTALLATION TEMPERATURE IS REACHED.
4. BACKSHELL TO BE PERMANENTLY MARKED/BAGGED AND LABELLED WITH CODE IDENTIFICATION NUMBER AND PART NUMBER LESS RING DESIGNATOR. (e.g. 06090-STXR40AB00-2018). RING SHALL BEAR NO MARKING.
- (5) TINEL-LOCK RING ENTRY SIZE AND BRAID DESIGNATOR IS TO BE SPECIFIED IN PART NUMBER WHEN ORDERING.
6. BACKSHELL MATES TO MIL-DTL-38999, SERIES III AND IV, CLASS C, F, K, AND W, D38999/20, /24, /26, /40, /46 AND /47 CONNECTORS, AND WHEN SO MATED SHALL PROVIDE A WATER-TIGHT SEAL MEETING THE REQUIREMENTS OF MIL-C-85049, PARA. 3. 5. 7.
- (7) PREFIX 'S' DENOTES THAT THE ADAPTER HAS A LARGER ENTRY THAN THE STANDARD TXR BUT IS STILL OF THE TYPE 1 DESIGN.
- (8) SEE SHEET 3 FOR TABLE OF ENTRY SIZE APPLICABLE TO THE STXR RANGE. FOR ENTRY SIZE LARGER THAN MAX INDICATED, CONTACT TE. MAX ENTRY ONLY APPLIES TO ANGLES 45 & 90.
- (9) THESE DIMENSIONS APPLY IF A SELF-LOCKING COUPLING NUT IS USED.

If this document is printed it becomes uncontrolled. Check for the latest revision

DRAWN	K.WINCZURA	DATE 20/01/2015	 3RD ANGLE PROJECTION NOT TO SCALE	TITLE: TINEL-LOCK BACKSHELL	 Polamco 
CHECKED		20/01/2015			
APPROVED	K.SHEPPARD	29/01/2015	UNLESS OTHERWISE SPECIFIED ALL DIMENSIONS IN MILLIMETRES GENERAL TOL LINEAR +/-0.25MM ANGULAR +/- 1°	ASSY USED ON: MIL-DTL-38999 SERIES III & IV	
APPROVED	H.SMITH	10/08/2015			
REVISIONS					
LTR	DESCRIPTION	DATE	APPROVED		
D	REVISED PER ECO-15-002339	18/02/2015	H.SMITH		
E	REVISED PER ECO-15-010970	10/08/2015	H.SMITH		
TE CAGE CODE: 06090 POLAMCO/TE CAGE CODE: U5792				TE CONNECTIVITY - POLAMCO LTD RESERVES THE RIGHT TO AMEND THIS DRAWING AND THE INFORMATION SET FORTH HEREON AT ANY TIME. USERS SHOULD INDEPENDENTLY EVALUATE THE SUITABILITY OF THE PRODUCT FOR THEIR APPLICATION.	DRAWING NO: STXR40
				DRAWING REV: E	SHT 1



MODIFICATION S



If this document is printed it becomes uncontrolled. Check for the latest revision

DRAWN	K.WINCZURA	DATE	20/01/2015
CHECKED		DATE	20/01/2015
APPROVED	K.SHEPPARD	DATE	29/01/2015
APPROVED	H.SMITH	DATE	10/08/2015
REVISIONS			
LTR	DESCRIPTION	DATE	APPROVED
D	REVISED PER ECO-15-002339	18/02/2015	H.SMITH
E	REVISED PER ECO-15-010970	10/08/2015	H.SMITH



3RD ANGLE PROJECTION
NOT TO SCALE

UNLESS OTHERWISE SPECIFIED
ALL DIMENSIONS IN MILLIMETRES
GENERAL TOL
LINEAR +/-0.25MM
ANGULAR +/- 1°

TITLE:	TINEL-LOCK BACKSHELL		
ASSY USED ON:	MIL-DTL-38999 SERIES III & IV		



TE CAGE CODE: 06090
POLAMCO/TE CAGE CODE: U5792

TE CONNECTIVITY - POLAMCO LTD RESERVES THE RIGHT TO AMEND THIS DRAWING AND THE INFORMATION SET FORTH HEREON AT ANY TIME. USERS SHOULD INDEPENDENTLY EVALUATE THE SUITABILITY OF THE PRODUCT FOR THEIR APPLICATION.

DRAWING NO:	DRAWING REV:	SHT
STXR40	E	2

THESE DIMENSIONS APPLY IF
BACKSHELL IS STAINLESS STEEL
OR NICKEL ALUMINIUM BRONZE

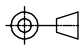


TABLE 1

ORDER NUMBER	SHELL SIZE COM / MIL	A THREAD	ØB MAX	ØB(9) MAX	ENTRY SIZE		C ±0,5	D ±0,5	W ±0,5	T ±0,5	E ±0,5	W ±0,5	T ±0,5	E ±0,5
					MIN	MAX(8)								
08	9 / A	M12 × 1.0	18,0	21,5	05	06	12,0	26,8	21,0	14,0	26,20	21,2	16,3	26,4
10	11 / B	M15 × 1.0	21,0	24,6	08	10	12,5	27,5	24,0	15,5	27,95	24,3	17,2	28,2
12	13 / C	M18 × 1.0	24,5	28,3	10	12	13,1	28,0	27,0	17,0	29,45	28,3	19,4	29,7
14	15 / D	M22 × 1.0	29,0	32,4	12	16	13,5	29,0	31,0	19,5	31,00	31,1	21,0	31,2
16	17 / E	M25 × 1.0	32,5	35,6	14	18	14,5	29,7	34,0	21,0	32,70	34,2	22,8	32,9
18	19 / F	M28 × 1.0	35,5	38,5	16	20	15,5	30,5	35,0	20,0	34,25	38,5	25,3	34,5
20	21 / G	M31 × 1.0	37,0	41,7	18	22	16,1	30,9	38,0	21,5	35,80	40,7	26,1	36,1
22	23 / H	M34 × 1.0	40,0	43,9	20	24	16,5	31,1	42,0	24,0	37,40	43,7	27,6	37,6
24	25 / J	M37 × 1.0	43,5	47,0	22	24	17,0	32,1	45,0	25,5	38,90	46,4	29,1	39,1

TABLE 2

ENTRY SIZE	ØZ MIN	ØS	ØY ±0,3
05	7,92	11,06 +/-0,04	15,50
06	9,53	12,66 +/-0,04	17,10
07	11,10	14,21 +/-0,07	18,70
08	12,70	15,81 +/-0,07	20,30
10	15,88	18,96 +/-0,08	23,50
12	19,05	22,14 +/-0,08	26,70
14	22,23	25,30 +/-0,08	29,80
16	25,40	28,48 +/-0,08	33,00
18	28,58	31,65 +/-0,08	36,20
20	31,75	34,83 +/-0,08	39,40
22	34,93	37,98 +/-0,08	42,50
24	38,10	41,15 +/-0,08	45,70

If this document is printed it becomes uncontrolled. Check for the latest revision

DRAWN	K.WINCZURA	DATE 20/01/2015	 3RD ANGLE PROJECTION NOT TO SCALE	TITLE: TINEL-LOCK BACKSHELL	 Polanco		
CHECKED		20/01/2015					
APPROVED	K.SHEPPARD	29/01/2015				UNLESS OTHERWISE SPECIFIED ALL DIMENSIONS IN MILLIMETRES GENERAL TOL LINEAR +/-0,25MM ANGULAR +/- 1°	
APPROVED	H.SMITH	10/08/2015					
REVISIONS				ASSY USED ON: MIL-DTL-38999 SERIES III & IV	 TE connectivity		
LTR	DESCRIPTION	DATE	APPROVED				
D	REVISED PER ECO-15-002339	18/02/2015	H.SMITH				
E	REVISED PER ECO-15-010970	10/08/2015	H.SMITH				
TE CAGE CODE: 06090 POLAMCO/TE CAGE CODE: U5792				TE CONNECTIVITY - POLAMCO LTD RESERVES THE RIGHT TO AMEND THIS DRAWING AND THE INFORMATION SET FORTH HEREON AT ANY TIME. USERS SHOULD INDEPENDENTLY EVALUATE THE SUITABILITY OF THE PRODUCT FOR THEIR APPLICATION.	DRAWING NO: STXR40	DRAWING REV: E	SHT 3

Mouser Electronics

Authorized Distributor

Click to View Pricing, Inventory, Delivery & Lifecycle Information:

[TE Connectivity:](#)

[CW3889-000](#)