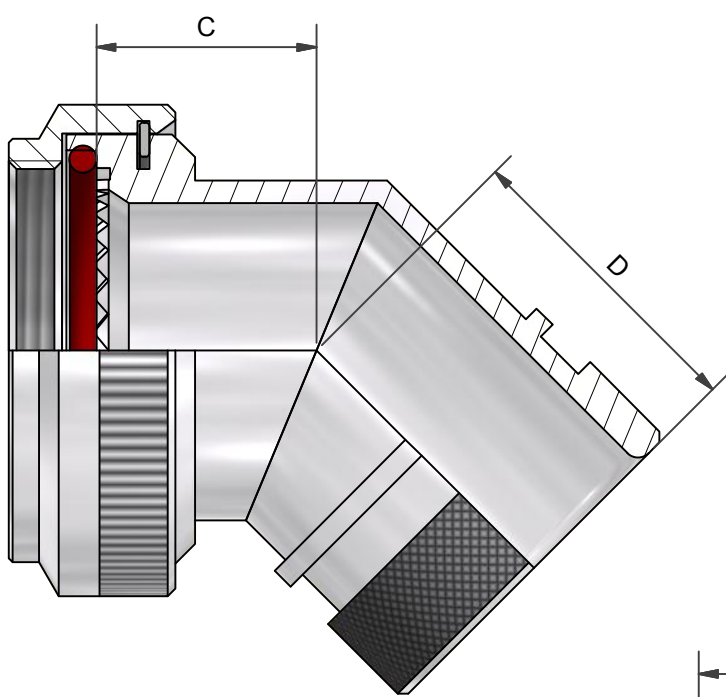
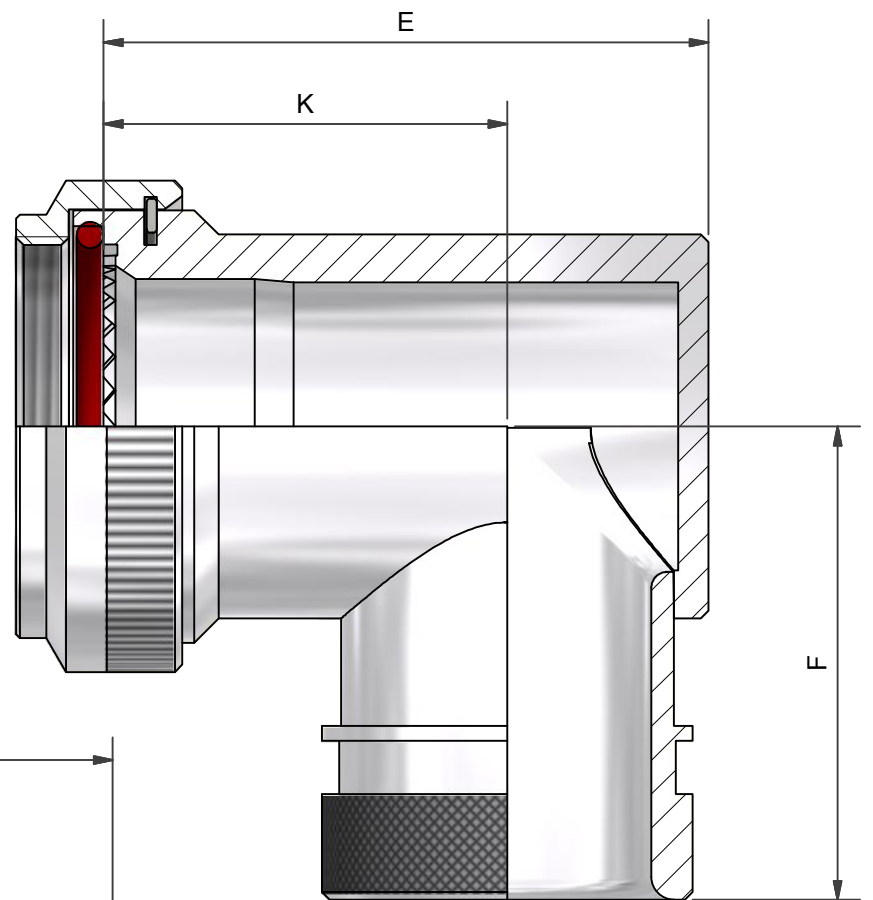


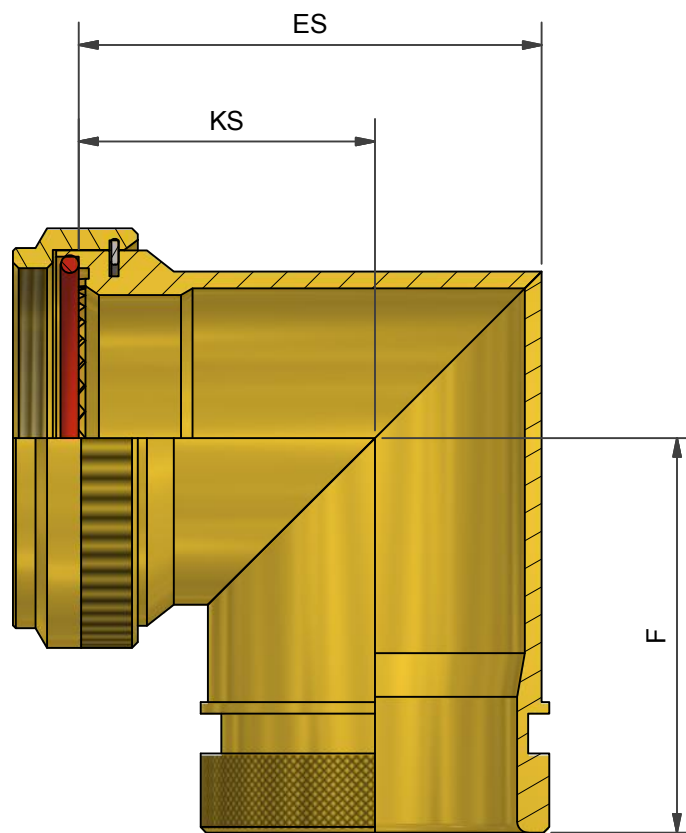
ANGLE 1



ANGLE 2



ANGLE 3



ANGLE 3
90° BACKSHELL
STAINLESS STEEL
NICKEL ALUMINIUM BRONZE
ANODISED ALUMINIUM

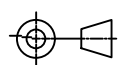
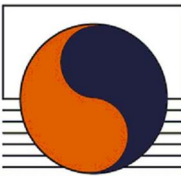

| | | | | | | | | | | | |
|------------------|------------------|------------|--|--|---|--|--|--|--|--------|-------------|
| DRAWN | | DATE | |  3RD ANGLE PROJECTION NOT TO SCALE | PART NUMBER: | | |  97H SERIES | | | |
| C.WALLACE | | 02/02/2018 | | | TITLE: | | | | | | |
| DESIGN APPROVAL | | DATE | | UNLESS OTHERWISE SPECIFIED ALL DIMENSIONS IN MILLIMETRES GENERAL TOL LINEAR +/-0,25MM ANGULAR +/- 1° | HEAT SHRINK BOOT BACKSHELL | | |  TE connectivity | | | |
| K.SHEPPARD | | 21/02/2008 | | | ASSY USED ON: MIL-DTL-38999 SERIES III & IV, D38999/20, /24, /26, /40, /46, /47 | | | | | | |
| DOC TYPE | Customer Drawing | | | MATERIAL | SEE PART NUMBER BREAKDOWN | | | THIS DRAWING IS COPYRIGHT AND THE PROPERTY OF POLAMCO LTD IT MUST NOT BE COPIED, USED FOR MANUFACTURE OR OTHERWISE DISCLOSED WITHOUT PRIOR WRITTEN CONSENT OF THE COMPANY. | | | |
| ISSUE | REV. | DCR | | FINISH | SEE PART NUMBER BREAKDOWN | | | | | | |
| 6 | | 6729 | | | | | | POLAMCO LTD, WESTON LOCK, LOWER BRISTOL ROAD BATH BA2 1EP | | SHT | DRAWING NO: |
| NCAGE CODE U5792 | | WEIGHT N/A | | | | | | 1 | | P10751 | |

TABLE 1

| SHELL SIZE | A THREAD | ØB MAX | ØG MIN | ØH MAX | C MAX | D MAX | E MAX | F MAX | K +/- 0,5 | ES MAX | KS +/- 0,5 | RECOMMENDED BOOT SIZE |
|------------|-----------|--------|--------|--------|-------|-------|-------|-------|-----------|--------|------------|-----------------------|
| 09 | M12 x 1.0 | 18,0 | 6,8 | 13,5 | 13,1 | 17,6 | 25,7 | 25,5 | 17,5 | 21,5 | 16,3 | 202 K 121 |
| 11 | M15 x 1.0 | 21,0 | 9,8 | 15,5 | 13,9 | 18,4 | 26,7 | 27,3 | 17,5 | 24,6 | 17,2 | 202 K 121 |
| 13 | M18 x 1.0 | 24,5 | 13,6 | 19,7 | 14,5 | 19,3 | 31,2 | 28,7 | 20,0 | 28,6 | 19,4 | 202 K 142 |
| 15 | M22 x 1.0 | 29,0 | 15,8 | 21,3 | 15,5 | 19,6 | 37,2 | 30,2 | 24,5 | 31,3 | 21,0 | 202 K 142 |
| 17 | M25 x 1.0 | 32,5 | 18,9 | 24,5 | 16,1 | 20,4 | 40,2 | 31,9 | 26,7 | 34,5 | 22,8 | 202 K 153 |
| 19 | M28 x 1.0 | 35,5 | 21,8 | 26,5 | 16,8 | 20,8 | 44,7 | 33,5 | 27,0 | 38,7 | 25,3 | 202 K 153 |
| 21 | M31 x 1.0 | 37,0 | 25,2 | 31,0 | 17,1 | 21,6 | 49,2 | 35,1 | 30,5 | 41,0 | 26,1 | 202 K 153 |
| 23 | M34 x 1.0 | 40,0 | 27,4 | 34,5 | 17,7 | 22,5 | 51,7 | 36,7 | 31,5 | 43,9 | 27,6 | 202 K 163 |
| 25 | M37 x 1.0 | 43,5 | 30,4 | 36,6 | 18,4 | 22,9 | 53,2 | 38,1 | 28,5 | 46,7 | 29,1 | 202 K 163 |

TABLE 2

| CODE | MATERIAL / FINISH |
|------|---|
| 1-C | ALUMINIUM / ELECTROLESS NICKEL |
| 1-B | ALUMINIUM / CADMIUM OLIVE DRAB OVER ELECTROLESS NICKEL |
| 1-ZB | ALUMINIUM / ZINC COBALT OLIVE DRAB OVER ELECTROLESS NICKEL |
| 1-G | ALUMINIUM / BLACK ANODISE, SULPHURIC |
| 1-ZN | ALUMINIUM / ZINC NICKEL BLACK PASSIVATE OVER ELECTROLESS NICKEL |
| 4-J | STAINLESS STEEL / PASSIVATE |
| 2-Z | NICKEL ALUMINIUM BRONZE / SHOT BLAST |

SEE SS0076 FOR FULL RANGE OF FINISH OPTIONS

97H1-17-1-C

SERIES _____

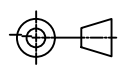


CONNECTOR INTERFACE _____

ANGLE _____

SHELL SIZE (TABLE 1) _____

MATERIAL (TABLE 2) _____

FINISH (TABLE 2) _____

| | | | | | | | | | | | |
|------------------|-------------------------|-------------|--|---|--|--|---------------------------|--|--|----------|--|
| DRAWN | | DATE | |  3RD ANGLE PROJECTION NOT TO SCALE | PART NUMBER: | | | 97H SERIES | | |  Polamco |
| C.WALLACE | | 02/02/2018 | | | TITLE: | | | HEAT SHRINK BOOT BACKSHELL | | | |
| DESIGN APPROVAL | | DATE | | <small>UNLESS OTHERWISE SPECIFIED ALL DIMENSIONS IN MILLIMETRES GENERAL TOL LINEAR +/-0,25MM ANGULAR +/- 1°</small> | ASSY USED ON: MIL-DTL-38999 SERIES III & IV, D38999/20, /24, /26, /40, /46, /47 | | |  TE connectivity | | | |
| K.SHEPPARD | | 21/02/2008 | | | THIS DRAWING IS COPYRIGHT AND THE PROPERTY OF POLAMCO LTD IT MUST NOT BE COPIED, USED FOR MANUFACTURE OR OTHERWISE DISCLOSED WITHOUT PRIOR WRITTEN CONSENT OF THE COMPANY. | | | | | | |
| DOC TYPE | Customer Drawing | | | MATERIAL | | | SEE PART NUMBER BREAKDOWN | | | 2 | P10751 |
| ISSUE | REV. | DCR | | FINISH | | | SEE PART NUMBER BREAKDOWN | | | | |
| 6 | | 6729 | | | | | | | | | |
| NCAGE CODE U5792 | | WEIGHT N/A | | | | | | | | | |

Mouser Electronics

Authorized Distributor

Click to View Pricing, Inventory, Delivery & Lifecycle Information:

[TE Connectivity:](#)

[97H1-13-4-J](#)