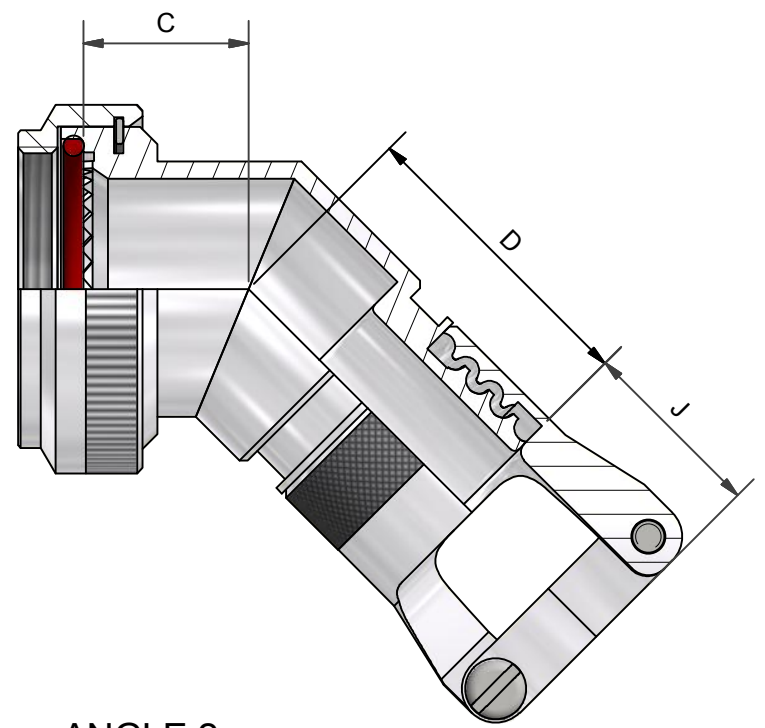
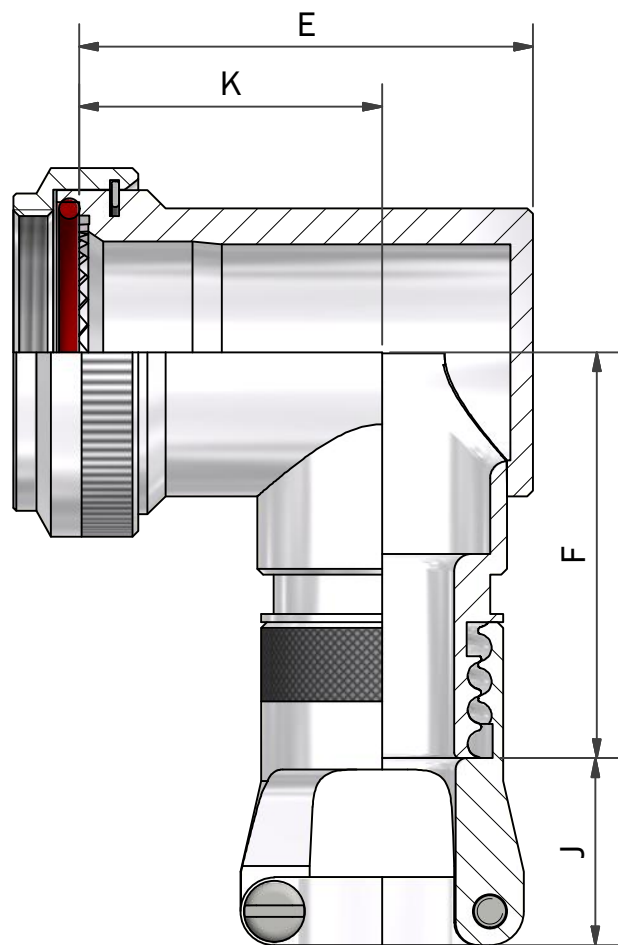


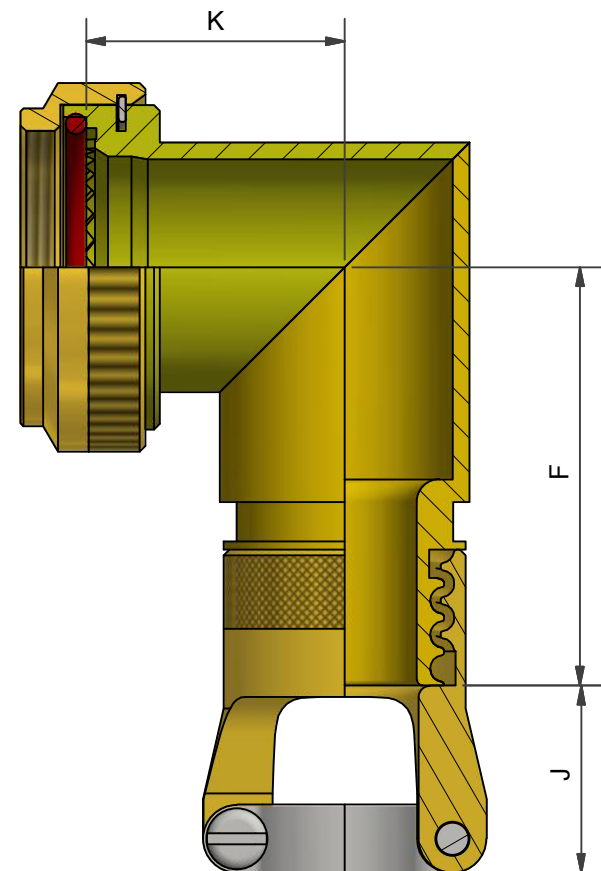
ANGLE 1



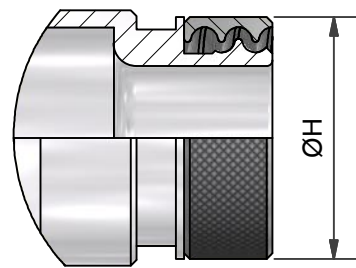
ANGLE 2



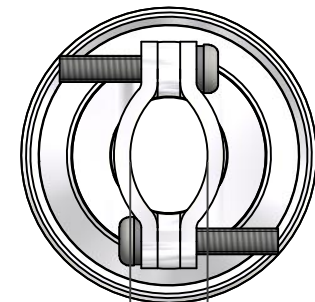
ANGLE 3
90° BACKSHELL
ALUMINIUM ALLOY



ANGLE 3
90° BACKSHELL
STAINLESS STEEL
NICKEL ALUMINIUM BRONZE



PLAIN NUT OPTION
FOR PLAIN NUT VERSION: STANDARD
STRAIGHT LENGTH IS 28MM, DIMS D
AND F ARE REDUCED BY 4MM



M: MINIMUM
CLAMPING
DIAMETER

DRAWN		DATE		 3RD ANGLE PROJECTION NOT TO SCALE	PART NUMBER:			
R.CL		18/04/2018			95H SERIES			
DESIGN APPROVAL		DATE		UNLESS OTHERWISE SPECIFIED ALL DIMENSIONS IN MILLIMETRES GENERAL TOL LINEAR +/-0,25MM ANGULAR +/- 1°	TITLE:			
K. SHEPPARD		20/04/2018			BRAID TRAP BACKSHELL			
DOC TYPE	Customer Drawing			MATERIAL	ASSY USED ON: MIL-DTL-38999 SERIES III & IV			
ISSUE	REV.	DCR		SEE PART NUMBER BREAKDOWN	THIS DRAWING IS COPYRIGHT AND THE PROPERTY OF POLAMCO LTD IT MUST NOT BE COPIED, USED FOR MANUFACTURE OR OTHERWISE DISCLOSED WITHOUT PRIOR WRITTEN CONSENT OF THE COMPANY.			
6		6708		FINISH				
NCAGE CODE U5792		WEIGHT N/A		SEE PART NUMBER BREAKDOWN	POLAMCO LTD, WESTON LOCK, LOWER BRISTOL ROAD BATH BA2 1EP		SHT	DRAWING NO:
							1	P10717



TABLE 1

SHELL SIZE	A THREAD	ØB MAX	ØT MIN	C MAX	D MAX	E MAX	F MAX	K ±0,5	THESE DIMENSIONS APPLY IF BACKSHELL IS STAINLESS STEEL OR NICKEL ALUMINIUM BRONZE	
									F MAX	K ±0,5
09	M12 x 1.0	18,0	6,7	13,1	24,5	25,7	30,5	17,5	34,7	16,4
11	M15 x 1.0	21,0	10,2	13,9	25,3	26,7	32,2	17,5	36,5	17,3
13	M18 x 1.0	24,5	13,5	14,5	25,6	31,2	33,7	20,0	38,0	19,5
15	M22 x 1.0	29,0	16,2	15,5	26,5	37,2	35,2	24,5	39,5	21,0
17	M25 x 1.0	32,5	19,4	16,1	27,4	40,2	36,9	26,7	41,2	22,8
19	M28 x 1.0	35,5	21,8	16,8	27,9	44,7	38,5	27,0	42,8	25,3
21	M31 x 1.0	37,0	25,1	17,1	28,7	49,2	40,1	30,5	44,4	26,1
23	M34 x 1.0	40,0	28,2	17,7	29,1	51,7	41,6	31,5	45,9	27,6
25	M37 x 1.0	43,5	31,4	18,4	29,9	48,5	43,1	28,5	47,4	29,1

TABLE 2

ENTRY SIZE	ØG MIN	W MAX	ØH MAX	J MAX	M
03	4,7	17,3	15,2	13,7	5,8
04	6,3	18,9	15,2	13,7	5,7
05	7,9	20,5	16,8	13,7	6,8
06	9,5	22,1	18,4	13,7	6,9
07	11,1	23,6	20,0	13,7	8,1
08	12,7	25,1	21,6	16,7	8,5
09	14,2	26,8	23,2	16,7	9,7
10	15,8	28,4	24,8	16,7	10,4
11	17,4	30,1	26,4	19,7	11,5
12	19,0	31,6	27,9	19,7	11,4
13	20,6	33,1	29,5	19,7	14,0
14	22,2	34,8	31,1	22,7	15,4
15	23,8	36,5	32,7	22,7	16,8
16	25,4	37,9	34,3	22,7	17,3
17	27,0	39,5	35,9	22,7	18,8
18	28,6	41,1	37,5	22,7	19,5
19	30,2	42,7	39,3	24,2	25,9
20	31,8	44,3	40,6	24,2	23,4
21	33,3	45,8	42,2	24,2	24,8
22	35,0	N/A	43,8	N/A	N/A
23	36,5	47,4	45,4	24,2	25,4
24	38,1	50,9	47,0	24,2	27,4

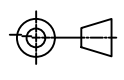

TABLE 3

CODE	MATERIAL / FINISH
1-C	ALUMINIUM / ELECTROLESS NICKEL
1-B	ALUMINIUM / CADMIUM OLIVE DRAB OVER ELECTROLESS NICKEL
1-ZB	ALUMINIUM / ZINC COBALT OLIVE DRAB OVER ELECTROLESS NICKEL
1-ZK	ALUMINIUM / ZINC COBALT BLACK OVER ELECTROLESS NICKEL
1-ZN	ALUMINIUM / ZINC NICKEL BLACK PASSIVATE OVER ELECTROLESS NICKEL
4-J	STAINLESS STEEL / PASSIVATE
2-Z	NICKEL ALUMINIUM BRONZE / SHOT BLAST

SEE SS0076 FOR FULL RANGE OF FINISH OPTIONS

95H1-17-08-1-C-CC-L50

SERIES _____
CONNECTOR INTERFACE _____
ANGLE _____
SHELL SIZE (TABLE 1) _____
ENTRY SIZE (TABLE 2) _____
MATERIAL (TABLE 3) _____
FINISH (TABLE 3) _____
CABLE CLAMP OPTION _____
OMIT FOR PLAIN NUT
LENGTH OPTION IN MM (STRAIGHT ONLY) _____
OMIT FOR STANDARD (SEE SHEET 1)

DRAWN		DATE		 3RD ANGLE PROJECTION NOT TO SCALE	PART NUMBER:		95H SERIES		 Polamco
R.CL		18/04/2018			TITLE:		BRAID TRAP BACKSHELL		
DESIGN APPROVAL		DATE		UNLESS OTHERWISE SPECIFIED ALL DIMENSIONS IN MILLIMETRES GENERAL TOL LINEAR +/-0,25MM ANGULAR +/- 1°	ASSY USED ON: MIL-DTL-38999 SERIES III & IV		POLAMCO LTD, WESTON LOCK, LOWER BRISTOL ROAD BATH BA2 1EP		 TE connectivity
K. SHEPPARD		20/04/2018			THIS DRAWING IS COPYRIGHT AND THE PROPERTY OF POLAMCO LTD IT MUST NOT BE COPIED, USED FOR MANUFACTURE OR OTHERWISE DISCLOSED WITHOUT PRIOR WRITTEN CONSENT OF THE COMPANY.		SHT		
DOC TYPE	Customer Drawing		MATERIAL		2		DRAWING NO:		
ISSUE	REV.	DCR		SEE PART NUMBER BREAKDOWN		6708		P10717	
NCAGE CODE U5792		WEIGHT N/A		FINISH		SEE PART NUMBER BREAKDOWN			

Mouser Electronics

Authorized Distributor

Click to View Pricing, Inventory, Delivery & Lifecycle Information:

[TE Connectivity:](#)

[95H1-17-12-1-C-CC](#)