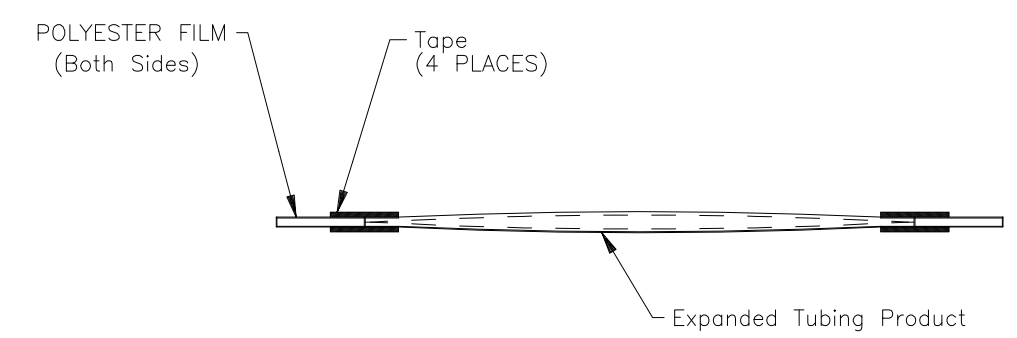
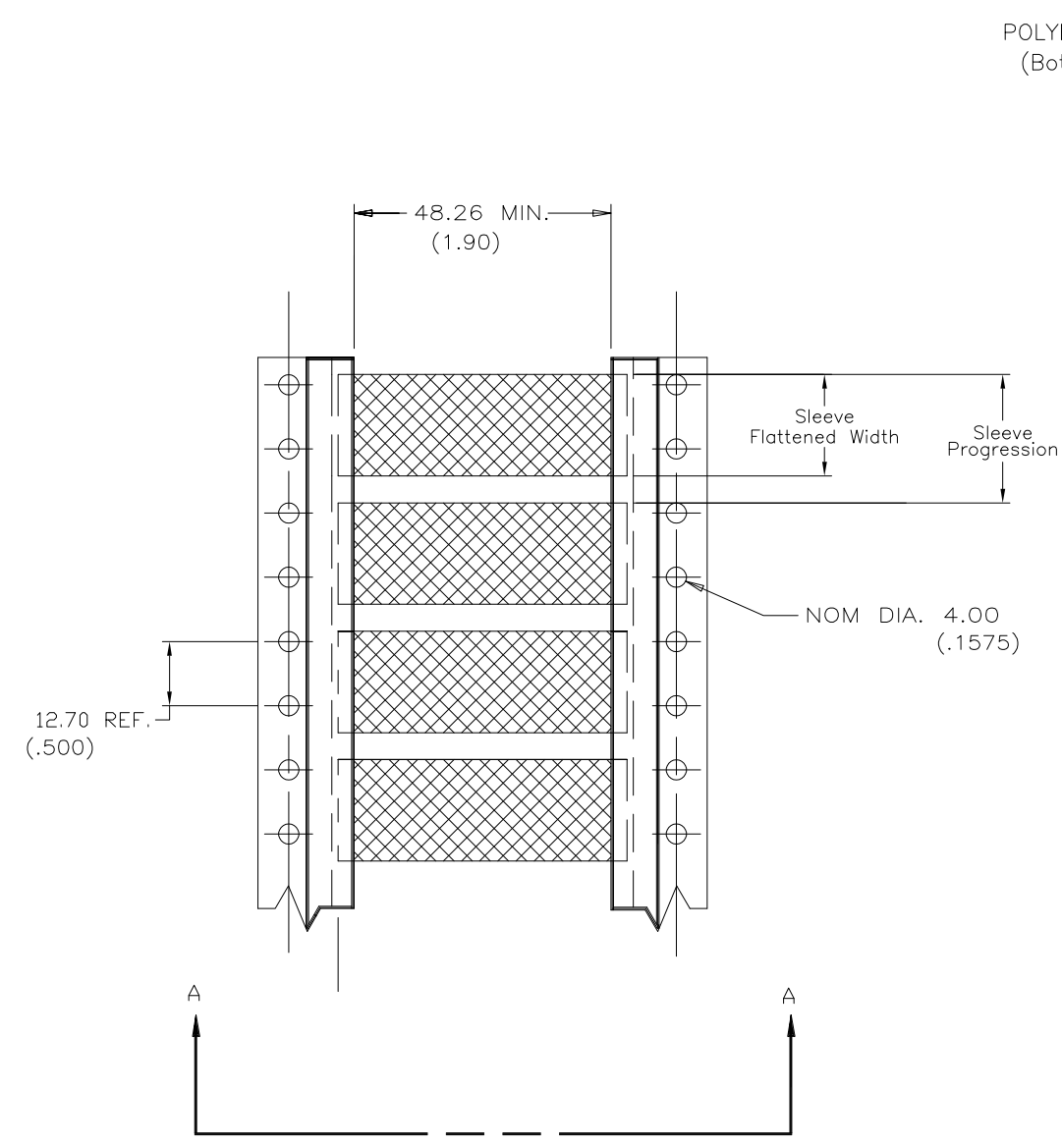
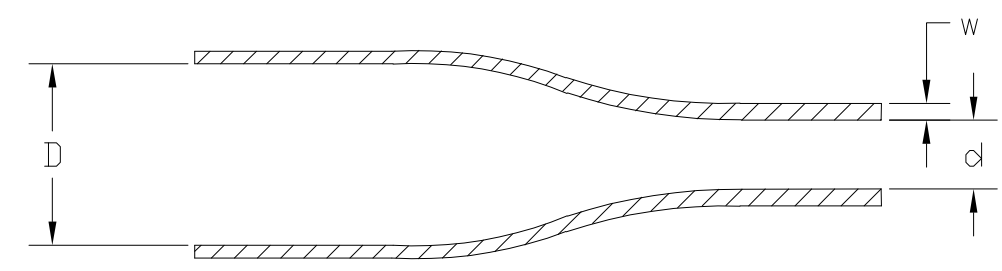


THIS DRAWING IS UNPUBLISHED. RELEASED FOR PUBLICATION
 © COPYRIGHT - By - ALL RIGHTS RESERVED.

LOC	DIST	REVISIONS			
P	LTR	DESCRIPTION	DATE	DWN	APVD
	D	MODIFIED REF. ECR-14-012590	18FEB2015	AFK	SR



Product Size	3/32	1/8	3/16	1/4	3/8	1/2	3/4	1
Nominal Sleeve Flattened Width	4.32 (.170)	5.84 (.230)	8.00 (.315)	10.67 (.420)	15.49 (.610)	20.45 (.805)	30.78 (1.20)	40.39 (1.59)
Nominal Sleeve Progression	12.70 (.500)	12.70 (.500)	12.70 (.500)	16.94 (.667)	25.40 (1.00)	29.64 (1.17)	42.34 (1.67)	50.8 (2.00)
"D" Minimum Supplied I.D.	2.36 (.093)	3.18 (.125)	4.75 (.187)	6.35 (.250)	9.53 (.375)	12.70 (.500)	19.05 (.750)	25.4 (1.00)
"d" Maximum Recovered I.D.	1.17 (.046)	1.57 (.062)	2.36 (.093)	3.18 (.125)	4.75 (.187)	6.35 (.250)	9.53 (.375)	12.7 (.500)
"w" Recovered wall ±0.08 (±.003)	0.51 (.020)	0.51 (.020)	0.51 (.020)	0.64 (.025)	0.64 (.025)	0.64 (.025)	0.76 (.030)	0.89 (.035)



THIS DRAWING IS A CONTROLLED DOCUMENT.		DWN AFK 08NOV2013	STE TE Connectivity	
DIMENSIONS: mm		CHK -		
TOLERANCES UNLESS OTHERWISE SPECIFIED:		APVD -	NAME TMS-SCE-2X	
0 PLC ± -		PRODUCT SPEC -	SIZE	
1 PLC ± -		APPLICATION SPEC -	CAGE CODE	
2 PLC ± -		WEIGHT -	DRAWING NO	
3 PLC ± -		MATERIAL CROSSLINKED POLYOLEFIN	RESTRICTED TO	
4 PLC ± -			A3 06090 C-MCD160008	
ANGLES ± -		CUSTOMER DRAWING		SCALE 1:1
FINISH -		SHEET 1 OF 1		REV D

Mouser Electronics

Authorized Distributor

Click to View Pricing, Inventory, Delivery & Lifecycle Information:

[TE Connectivity:](#)

[EH8786-000](#)