

THIS DRAWING IS UNPUBLISHED.

RELEASED FOR PUBLICATION

REVISIONS

© COPYRIGHT — TE Connectivity Ltd.

ALL RIGHTS RESERVED.

P	LTR	ECO NO.	DESCRIPTION	DATE	DWN	APVD
	A	-	INITIAL RELEASE	18OCT2019	RV	MB
	B	20-006207	FCA-215 ADDED IN ATTRIBUTE PAGE 2	04MAY2020	RV	MB

General Specifications

Temperature Rating —

-70°C TO +125°C

Altitude — 300,000 Feet

Shock* —

Z, Y, & X Enclosures —

200 g for 6 mS

W & M Enclosures (Stud Mtg.) —

100 g for 6 mS

Vibration, Sinusoidal* —

Z, Y, & X Enclosures —

30 g 33-3000Hz

W & M Enclosures (Stud Mtg.) —

20 g 33-3000Hz

Vibration, Random* —

Z, Y, & X Enclosures —

0.4 g²/Hz 50-2000Hz

W & M Enclosures (Stud Mtg.) —

0.2 g²/Hz 50-2000Hz

Dielectric Strength —

At Sea Level —

All circuits to ground and circuit to circuit — 1250 V rms

Coil to ground — 1000 V rms

At 80,000 Feet — 350 V rms

Insulation Resistance —

Initial (500 VDC) — 100 MΩ Min.

After Life or Environmental Tests — 50 MΩ Min.

Operate Time at Nominal Voltage —

DC Relays — 10 ms or less

AC Relays — 15 ms or less

Release Time at Nominal Voltage —

DC Relays — 10 ms or less

AC Relays — 50 ms or less

Release Time at Nominal Voltage —

DC Relays — 10 ms or less

AC Relays — 50 ms or less

* Max. contact opening under vibration or shock 10 microseconds

Coil Data

Coil Code	Nominal Voltages	Freq. Hz	DC Res. AC Amps (B)	Over Temperature Range		
				Pickup or Below Volts	Dropout or Above Volts	Must Hold Voltage (C)
1	6	DC	20 Ω	4.5	0.3	2.5
2	12	DC	80 Ω	9.0	0.75	4.5
3	28	DC	320 Ω	18.0	1.5	7.0
4 (A)	28	DC	320 Ω	18.0	1.5	7.0
5	48	DC	920 Ω	32.0	2.5	14.0
6	28	400Hz	180 mA	22.0	1.25	10.0
7	28	50/400Hz	100 mA	22.0	1.25	10.0
8	115	400 Hz	40 mA	90.0	5.0	40.0
9	115	50/400 Hz	30 mA	95.0	5.0	40.0

A. CODE 4 COILS HAVE BACK EMF SUPPRESSION TO 42 VOLTS MAX.

B. DC COIL RESISTANCE ± 10% AT 25°C; AC COIL MAX. CURRENT AT NOMINAL VOLTAGE.

C. RELAY WILL STAY IN PICKED-UP STATE DOWN TO MUST HOLD VOLTAGES SHOWN.

D. MAX. OVERVOLTAGE: 6 & 12 VDC COILS 120% OF NOMINAL; ALL OTHERS 110% OF NOMINAL.

E. COILS AVAILABLE FOR OTHER VOLTAGES AND FOR AC 50/60HZ.

Contact Rating — Amperes Ratings Are Continuous Duty

Type of Load	Life (Min.) Cycles x 10 ³	28 VDC	115VAC 400Hz		
			115/200VAC 3Ø 400Hz	60Hz*	
Resistive	100	10	10	10	2.5
Inductive	20	8	8	8	2.5
Motor	100	4	4	4	2.0
Lamp	100	2	2	2	1

*60 Hz loads rated for 10,000 operations

Overload Current — 40 AMPS DC, 60 AMPS 400Hz

Rupture Current — 50 AMPS DC, 80 AMPS 400Hz

Contact Make Bounce — 1 MILLISECOND AT NOMINAL VOLTAGE

Max. Contact Drop at 10 Amps — INITIAL 0.100 VOLTS

End of Life — 0.125 VOLTS

The Series FCA-210 relay is a polarized single-side stable design, where the flux from a permanent magnet provides the armature holding force in the deactivated state, and its flux path is switched and combined with the coil flux in the operated state. This results in appreciably increased contact pressure in both states over that of a spring return nonpolar design. We also

Product Facts

- Hermetically Sealed
- All Welded Construction
- Balanced Force
- Permanent Magnet Drive
- Contacts — Silver Cadmium Oxide with Gold Plating
- Coils for DC, 50 to 400Hz and 400Hz AC
- Weight 1.6 ounces max. (45.4 grams)
- Qualified to M83536/9, /10


manufacture other versions of this relay:

FCA-410 — 10 Ampere 4PDT Relay

FCA-610 — 10 Ampere 6 PDT Relay

Available:

FCA-215 — 15 Ampere DPDT Relay, Has the same specifications as the FCA-210 except is rated at 15 amps. (Commercial Only)

THIS DRAWING IS A CONTROLLED DOCUMENT.		DWN RV 18OCT2019	 TE Connectivity		
DIMENSIONS: INCHES		CHK RV 18OCT2019			
TOLERANCES UNLESS OTHERWISE SPECIFIED:		APVD MB 18OCT2019	NAME FCA-210-SERIES		
0 PLC ± -		PRODUCT SPEC	-		
1 PLC ± -		APPLICATION SPEC	-		
2 PLC ± -		SIZE A3	CAGE CODE -	DRAWING NO. C-FCA-210-SERIES	RESTRICTED TO -
3 PLC ± -		WEIGHT -			
4 PLC ± -		CUSTOMER DRAWING			
ANGLES ± -		SCALE NTS	SHEET 1 OF 2	REV B	
MATERIAL -					
FINISH -					

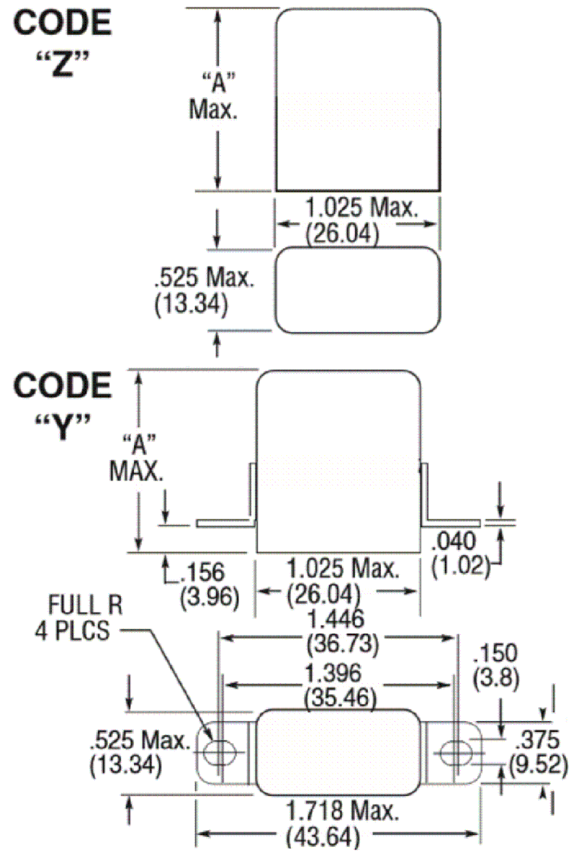
P	LTR	DESCRIPTION	DATE	DWN	APVD
-	-	SEE SHEET 1	-	-	-

Enclosures

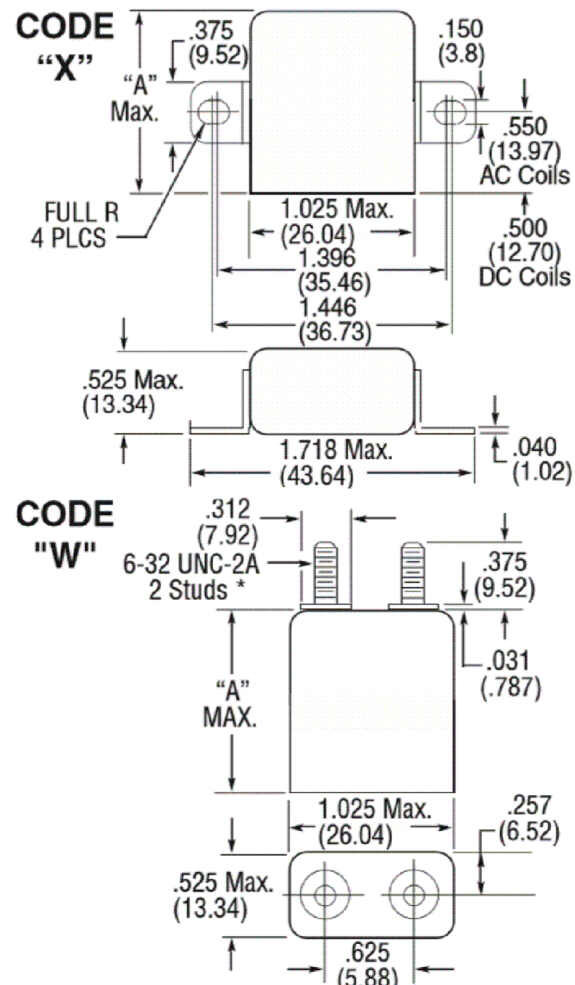
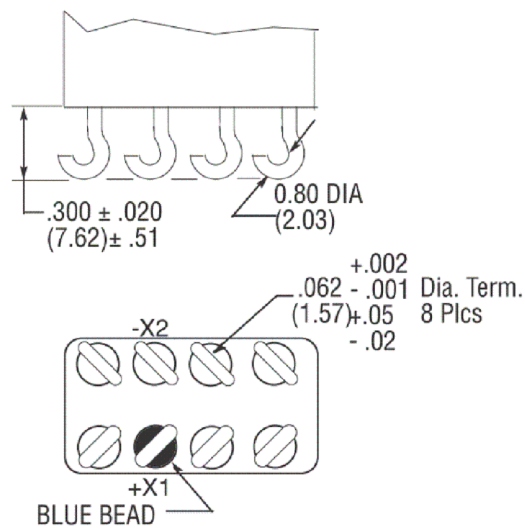
All Enclosures have Cupro-Nickel Cans bright acid tin/lead plated after assembly to terminal headers.

Dimensions: Inches ± .010 (mm ± .25)

"A" AC Coils 1.125 in. (28.57) Max.
DC Coils 1.010 in. (25.65) Max.



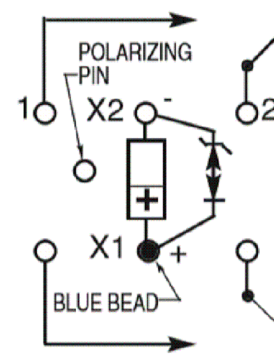
CODE "C" Solder Hook
HOOK TERMINALS TIN/LEAD PLATED



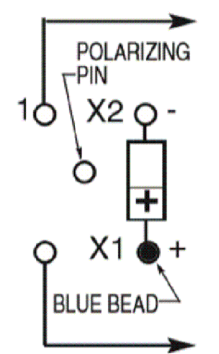
*Metric threads available, To specify use [M] in place of [W]

Terminal Wiring

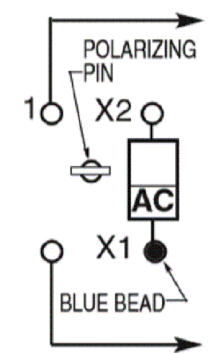
DC Coils with Transient Suppression



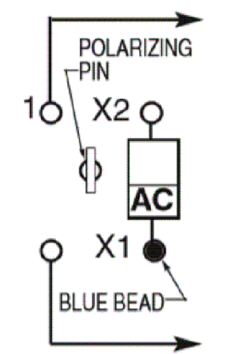
DC Coils



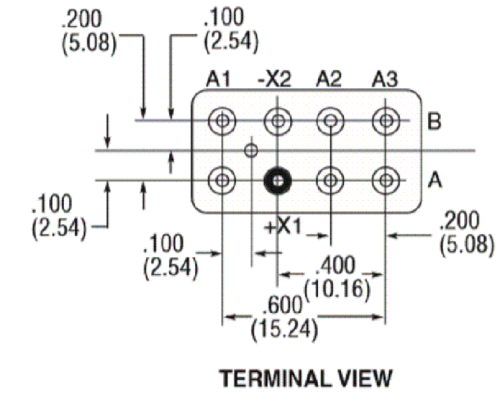
AC Coils 115 VAC



AC Coils 28 VAC



NOTE: Polarity must be observed with DC coil supply. Relay is polarized with a permanent magnet and will not operate or be damaged by reverse polarity. Diodes used in transient suppression and in AC rectifier circuits have peak inverse voltage rating of 600 VDC minimum. Zener diodes have a minimum rating of 1 watt. Terminal designations are for reference only and do not appear on the header.



HOW TO ORDER

RELAY TYPE _____

SOLDER HOOKS, DC COIL _____

ENCLOSURE (With Flanges) _____

COIL (28 VDC With Transient Suppression). _____

FCA-215
FCA-210-A Y 4

THIS DRAWING IS A CONTROLLED DOCUMENT.		DWN RV 18OCT2019	STE TE Connectivity		
		CHK RV 18OCT2019			
DIMENSIONS: INCHES	TOLERANCES UNLESS OTHERWISE SPECIFIED:	APVD MB 18OCT2019	NAME FCA-210-SERIES		
	0 PLC ± -	PRODUCT SPEC	-		
	1 PLC ± -	APPLICATION SPEC	-		
MATERIAL	FINISH	WEIGHT	SIZE A3	CAGE CODE	DRAWING NO. C-FCA-210-SERIES
CUSTOMER DRAWING			RESTRICTED TO	SCALE NTS	SHEET 2 OF 2
			REV B		

Mouser Electronics

Authorized Distributor

Click to View Pricing, Inventory, Delivery & Lifecycle Information:

[TE Connectivity:](#)

[5-1617784-7](#)