

4

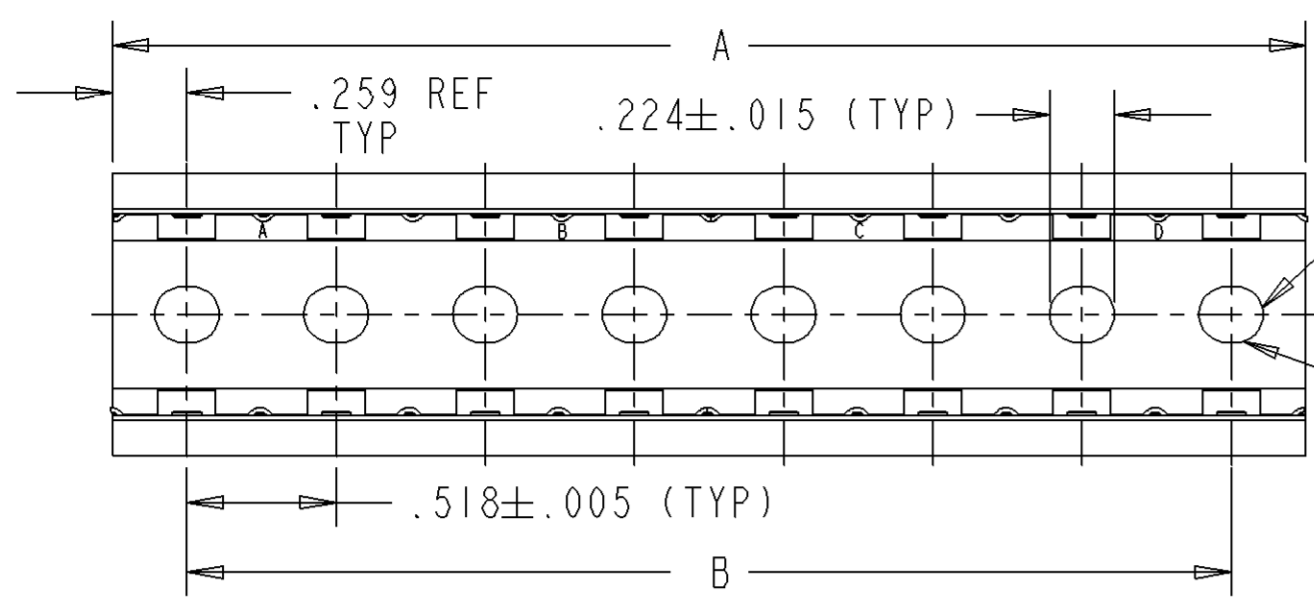
3

2

1

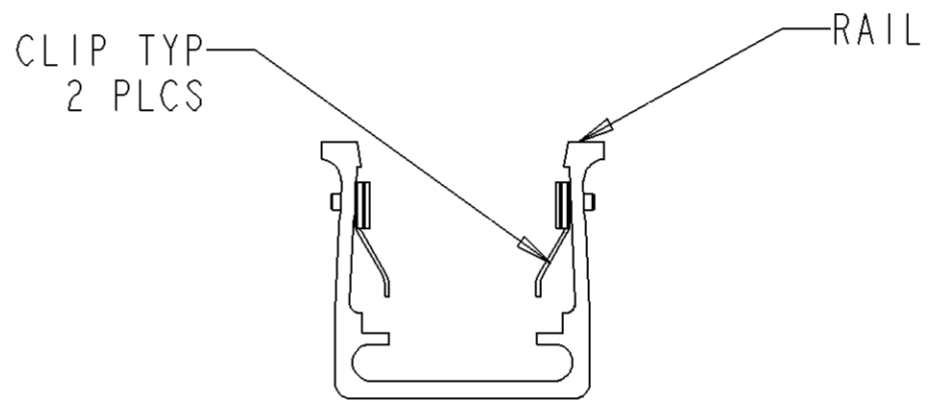
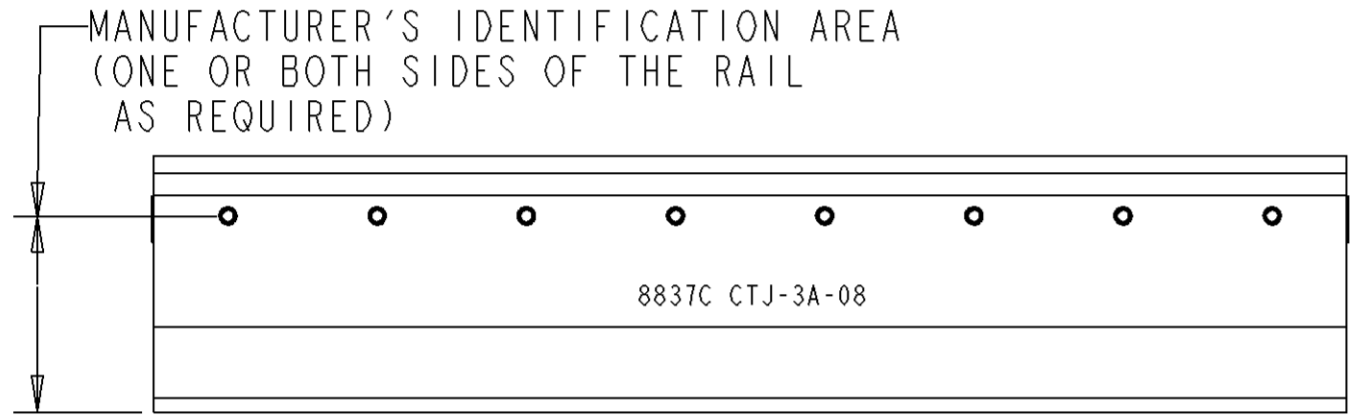
REV	CTJ-3*-**
U	

REVISION HISTORY			
REV	DESCRIPTION	DATE	APPROVED
P	REVISED PER EO 89753	10/3/80	
R	REVISED PER EO 89844	12/15/80	
S	REVISED PER EO 86716	9/9/82	
T	REVISED PER EO A10425	4/19/90	
U	REVISED PER EO D0226	120919	P.B.



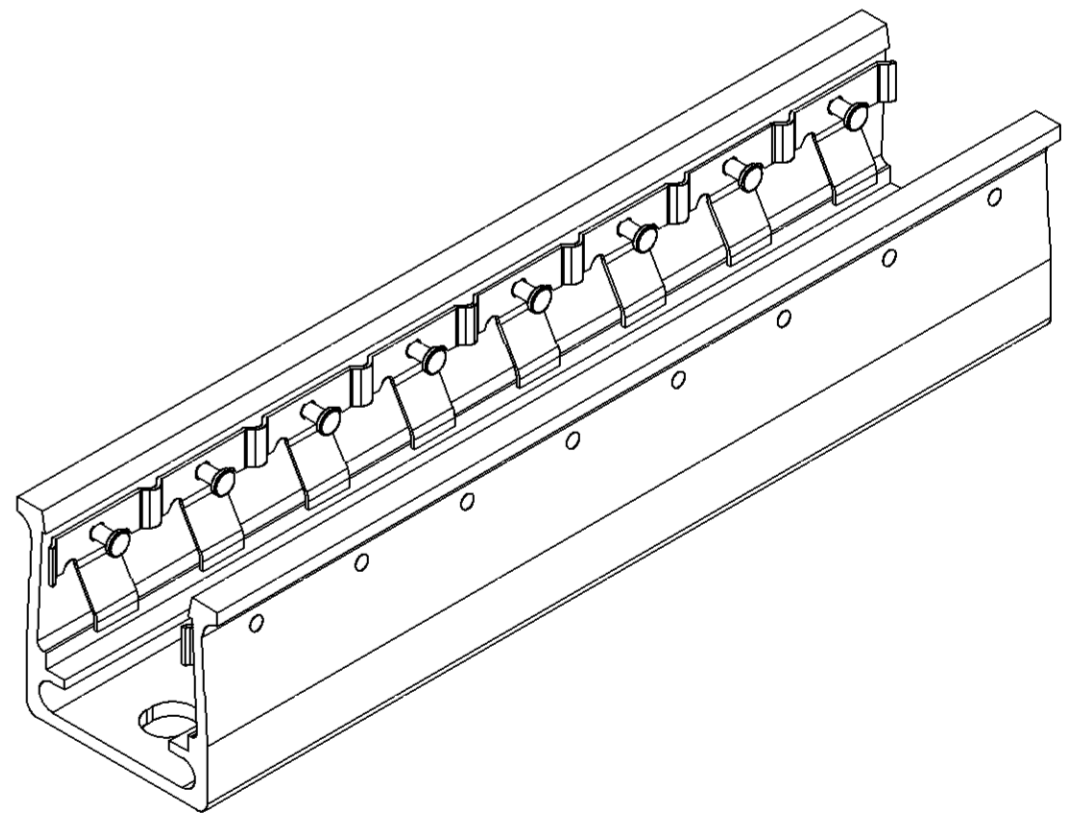
MOUNTING HOLES ACCOMMODATE 10-32 SCREW

±.005
.194 DIA ELONGATED MOUNTING HOLES TYP



40	20.720	20.202
30	15.540	15.022
29	15.022	14.504
28	14.504	13.986
27	13.968	13.468
26	13.468	12.950
25	12.950	12.432
24	12.432	11.914
23	11.914	11.396
22	11.396	10.878
21	10.878	10.360
20	10.360	9.842
19	9.842	9.324
18	9.324	8.806
17	8.806	8.288
16	8.288	7.770
15	7.770	7.252
14	7.252	6.734
13	6.734	6.216
12	6.216	5.698
11	5.698	5.180
10	5.180	4.662
09	4.662	4.144
08	4.144	3.626
07	3.626	3.108
06	3.108	2.590
05	2.590	2.072
04	2.072	1.554
03	1.554	1.036
02	1.036	.518
XX	"A" DIM ±.015	"B" DIM ±.010

TOOL	MODULE SIZE
CTJ-R06	22, 20 & 16
CTJ-R12	12



- 6. RAIL MATERIAL: ALUM ALLOY PER QQ-A-200/8, CLIP: STAINLESS STEEL PER MIL-S-25043
- 5. CONSULT THE FACTORY FOR AVAILABILITY OF RAIL FINISHES OTHER THAN NICKEL.

4. RAIL ASSEMBLY - PART NO. BREAKDOWN

CTJ - 3 * - * *

RAIL LENGTH

FINISH

A = ANODIZE - BLACK PER MIL-A-8652
 B = OLIVE DRAB PER QQ-P-416, TYPE 11, CLASS 2
 C = CLEAR PER QQ-P-416, TYPE 11, CLASS 2, EXCEPT COLOR.
 D = NICKEL----- (STANDARD) PER MIL-C-26074, CLASS 4

FEEDBACK FRAME

BASIC IDENTIFIER RAIL ASSY. USED ON CTJ MODULES

- 3. SEE DEUTSCH ENVELOPE DRAWINGS FOR THE FOLLOWING COMPONENTS:
 MODULE: CTJ1**E***
 MODULE REMOVAL TOOL: SEE TABLE

2. EXAMPLE OF MANUFACTURER'S IDENTIFICATION:

88 37 DEUTSCH CTJ-3A-08

YEAR WEEK

- 1. DIMENSIONS ARE IN INCHES.

NOTES: UNLESS OTHERWISE SPECIFIED.

TOLERANCE UNLESS OTHERWISE SPECIFIED
 DIMENSIONS ARE IN INCHES
 DECIMALS .xxx±.005; .xxxx ±.0005
 ANGLES: X° ±.5°; X.X° ±.25°
 T.I.R. .010
 PARTS TO BE FREE OF BURRS & SHARP EDGES

THIRD ANGLE PROJECTION

SIGNATURE & DATE	
DR	J. PASCUAL 120912
CHK	P. BYUN 120918
PE	P. BYUN 120912
APPD	A. RENGIFO 120918
MATERIAL	
FINISH	
MATERIAL CODE	

ALL SHEETS ARE THE SAME REVISION STATUS

DEUTSCH
 DEFENSE/AEROSPACE OPERATION
 250 EDDIE JONES WAY
 OCEANSIDE, CA 92058

TITLE: RAIL ASSEMBLY CTJ ENVELOPE

SIZE C	CAGE CODE 11139	DWG NO CTJ-3*-**
SCALE 1:10,000	WEIGHT	SHEET 1 OF 1

4

3

2

1

Mouser Electronics

Authorized Distributor

Click to View Pricing, Inventory, Delivery & Lifecycle Information:

[TE Connectivity:](#)

[CTJ-3A-05](#)